



ITEM NO: I215-9140 Liv360 End Table

Thank you for purchasing this quality product. Be sure to check all packing material carefully for small parts that may come loose inside the carton during shipment.



TOOLS REQUIRED (NOT PROVIDED)

PHILLIPS SCREWDRIVER

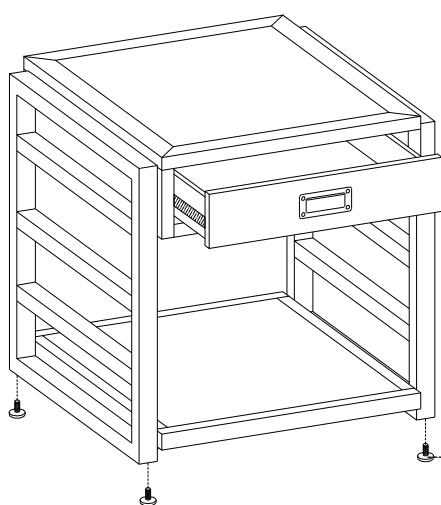
HARDWARE LIST:

No.	Description	Sketch	Quantity
A	Bolt Ø1/4" x 2-3/16"		18 PCS
B	Lock Washer Ø1/4"		18 PCS
C	Flat Washer Ø1/4" x 3/4"		18 PCS
D	Allen Wrench 4mm		1 PC

COMPONENTS LIST:

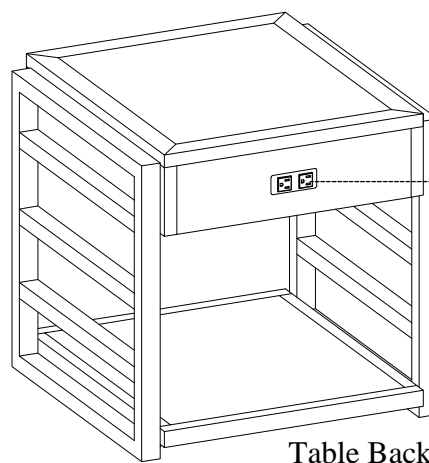
No.	Description	Sketch	Quantity
1	Table Top Assembly		1 PC
2	Side Assembly		2 PCS
3	Bottom Shelf		1 PC

FUNCTIONALITY INSTRUCTION



Leveler on bases

Adjust the leveler when necessary



2 AC outlet Power Pack

Table Back

BEFORE USING THIS PRODUCT PLEASE READ, UNDERSTAND, AND FOLLOW THESE INSTRUCTIONS. Save these instructions for future reference.

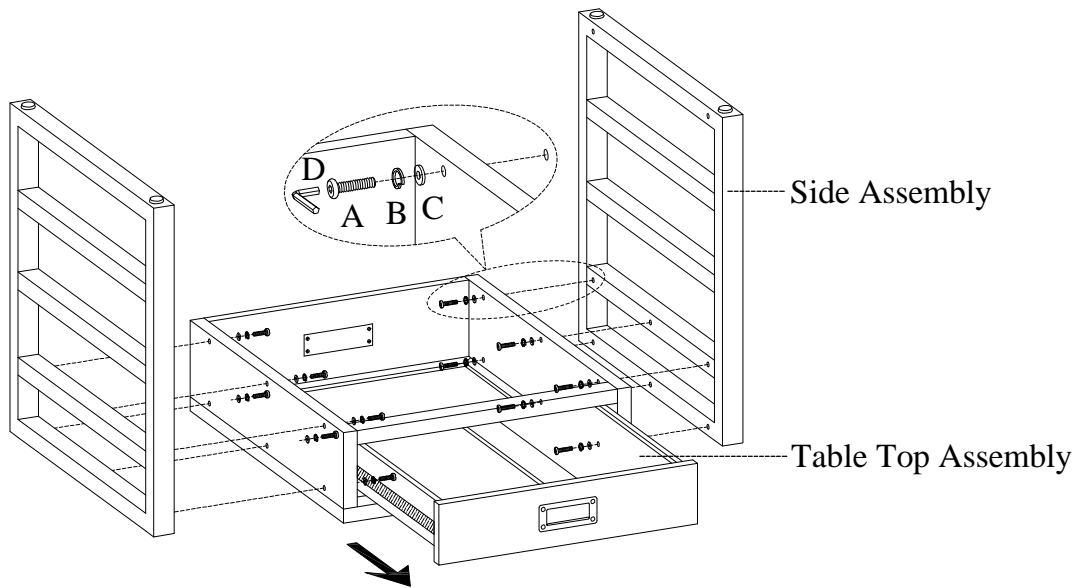
FOR INDOOR USE ONLY



ITEM NO: I215-9140 Liv360 End Table

STEP 1: Put the table top assembly face down on a soft surface.

STEP 2: Take out the drawer, then attach the side assemblies to table top assembly by using 12 bolts(A), lock washers(B) and flat washers(C). Do not completely tighten bolts.



STEP 3: Attach the bottom shelf to the side assemblies by using 6 bolts (A), lock washers(B) and flat washers(C). Use the Allen wrench provided to tighten all the bolts.

STEP 4: Put the drawer back to the original position. Turn the assembled table to the upright position.

