

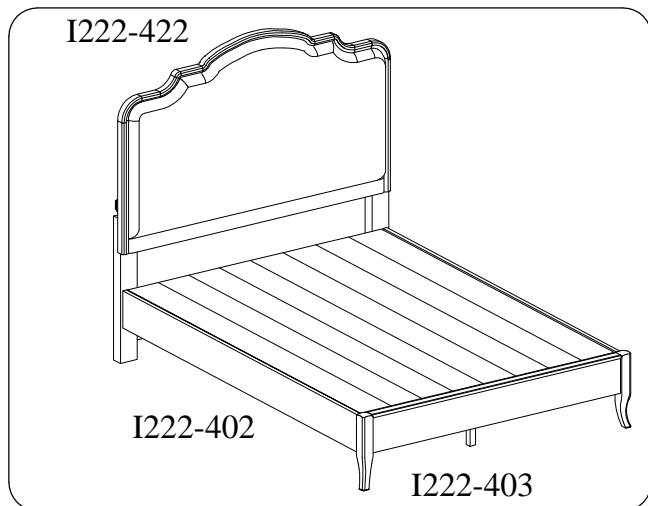


ITEM NO: I222-422 Queen Uph HB
 I222-402 Queen Rails w/ Decking
 I222-403 Queen Low Profile FB

Thank you for purchasing this quality product. Be sure to check all packing material carefully for small parts that may come loose inside the carton during shipment.



UNIT SHOULD BE INSTALLED BY 2 OR MORE PERSONS.



All Beds need to be set up in the exact final location so that after full assembly it will not need to be moved. Moving the bed will cause the support legs to move out of perpendicular (90 degree), weaken the support system, and may allow the bed to collapse.

TOOLS REQUIRED (NOT PROVIDED)
PHILLIPS SCREWDRIVER

HARDWARE LIST: I222-422			
No.	Description	Sketch	Quantity
A	Bolt Ø5/16" x 1-1/2"		10 PCS
B	Lock Washer Ø5/16"		10 PCS
C	Flat Washer Ø5/16" x 3/4"		10 PCS
D	Allen Wrench M4		1 PC

COMPONENTS LIST: I222-422			
No.	Description	Sketch	Quantity
1	Headboard		1 PC
2	Left Leg		1 PC
3	Right Leg		1 PC
4	Wood Stretcher		1 PC

HARDWARE LIST: I222-402			
No.	Description	Sketch	Quantity
E	Hanger Bolt Ø5/16" x 3"		8 PCS
F	Half Moon Washer Ø5/16"		8 PCS
G	Hex Nut Ø5/16"		8 PCS
H	Hex Wrench 13mm		1 PC
I	Wood Screw #4 x 1-1/4"		8 PCS
J	Wood Screw #4 x 3/4"		16 PCS

COMPONENTS LIST: I222-402			
No.	Description	Sketch	Quantity
1	Bed rails		2 PCS
2	Slats		4 PCS
3	Decking		8 PCS

COMPONENTS LIST: I222-403			
No.	Description	Sketch	Quantity
1	Footboard		1 PC
2	Support Leg (Long)		4 PCS
3	Support Leg (Short)		4 PCS

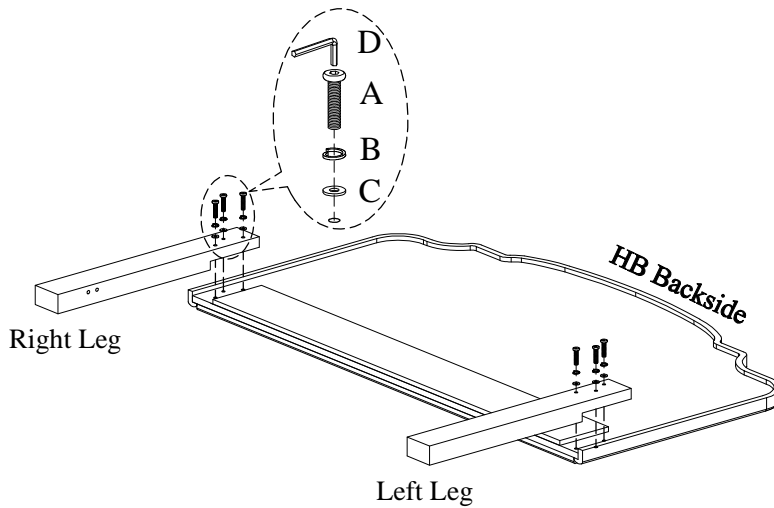
BEFORE USING THIS PRODUCT PLEASE READ, UNDERSTAND, AND FOLLOW THESE INSTRUCTIONS. Save these instructions for future reference.

FOR INDOOR USE ONLY

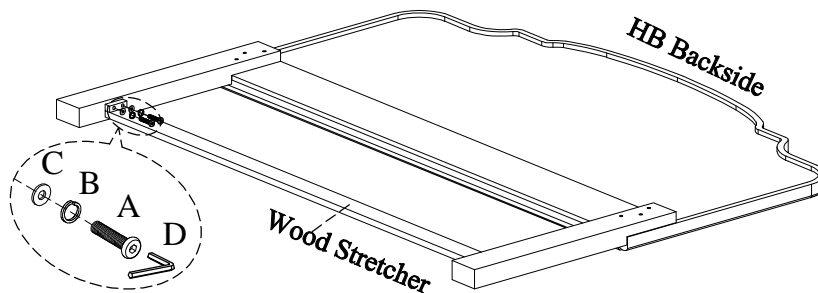


ITEM NO: I222-422 Queen Uph HB
 I222-402 Queen Rails w/ Decking
 I222-403 Queen Low Profile FB

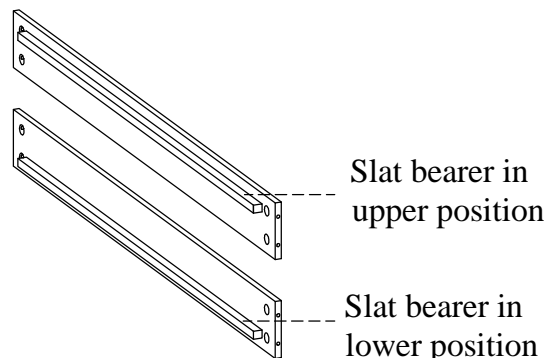
STEP 1: Lay the headboard face down on a soft surface. Attach the left leg and right leg to headboard by using 6 bolts(A), lock washers(B) and flat washers(C).



STEP 2: Attach the wood stretcher to the legs by using 4 bolts(A), lock washers(B) and flat washers(C).



STEP 3: The side rails may be used on either side. Arrange the side rails so the slat bearers are in UPPER POSITION prior to attachment as OPTION 1 and the slat bearers are in LOWER POSITION prior to attachment as OPTION 2.

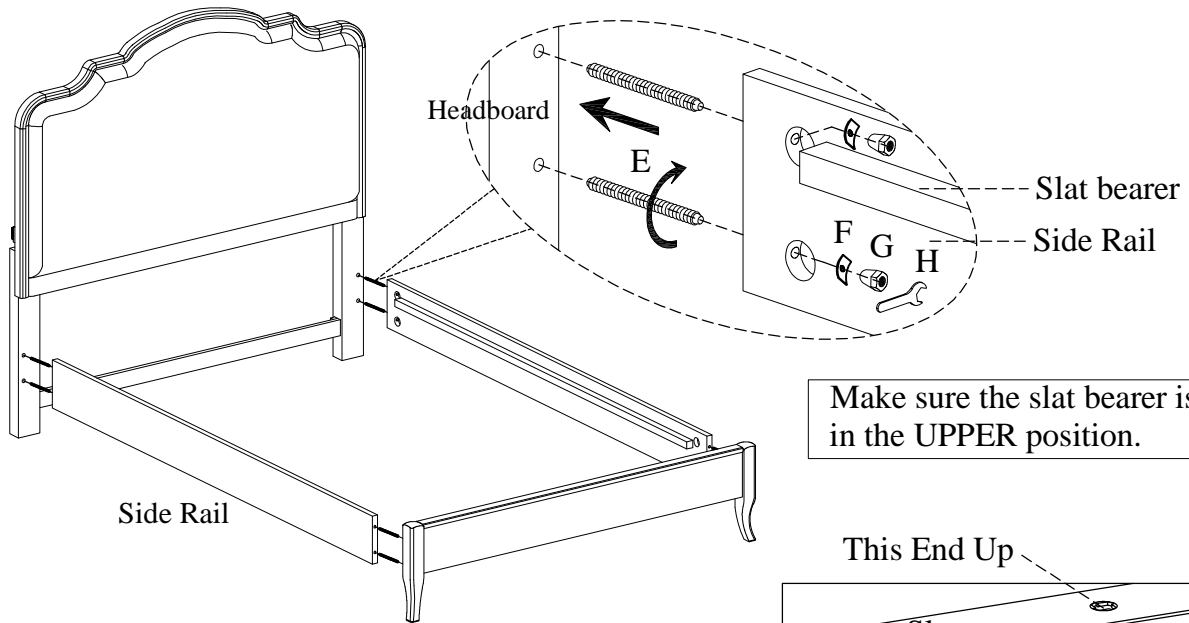




ITEM NO: I222-422 Queen Uph HB
 I222-402 Queen Rails w/ Decking
 I222-403 Queen Low Profile FB

OPTION 1: The side rails may be used on either side. Arrange the side rails so the slat bearers are in UPPER POSITION prior to attachment in STEP 4.

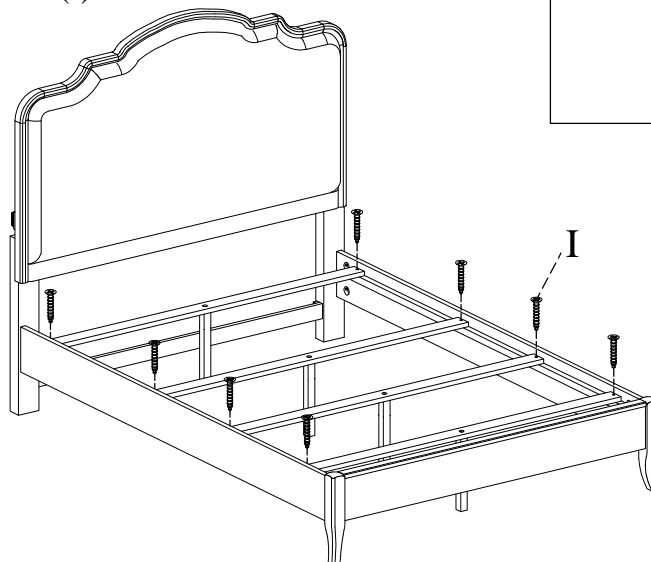
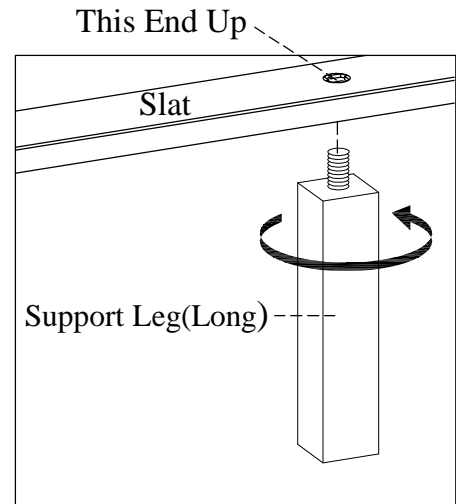
STEP 4: Screw the bolts(E) into HB & FB. Make sure the slat bearer is in the UPPER position. Align the bolts with the holes in the end of side rails and attach the side rails to HB & FB using half moon Washer(F) and hex nuts (G). Then use a hex wrench to tighten all the nuts.

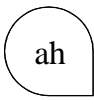


Make sure the slat bearer is in the UPPER position.

STEP 5: Attach the support legs(long) to the slats as shown right.

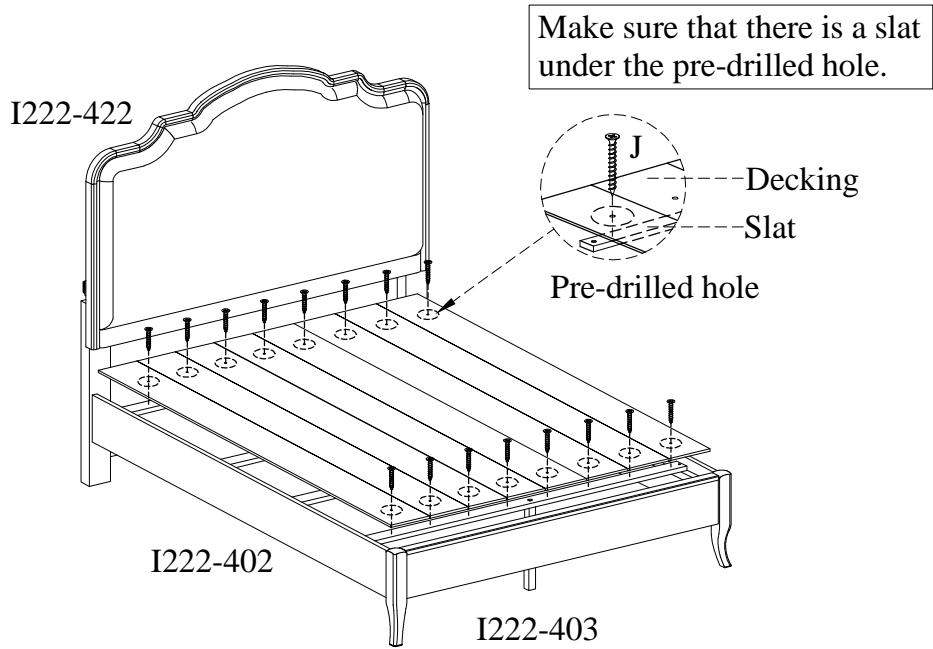
STEP 6: Arrange slats on the slat bearers and then lay the decking on top of the slats. Make sure the top and bottom slats are situated underneath the pre-drilled holes as shown in STEP 7. Remove the decking and attach slats to the slat bearers with wood screws (I).



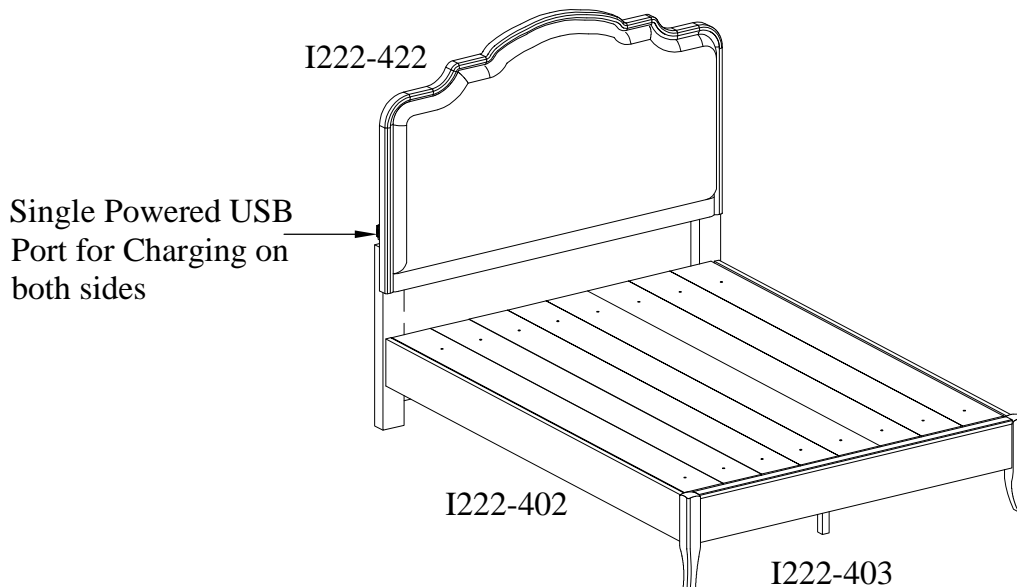


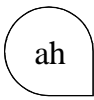
ITEM NO: I222-422 Queen Uph HB
 I222-402 Queen Rails w/ Decking
 I222-403 Queen Low Profile FB

STEP 7: Put the decking over the slats, secure decking to the slats with wood screws (J) through the pre-drilled holes in the decking as shown below.



FUNCTIONALITY INSTRUCTION

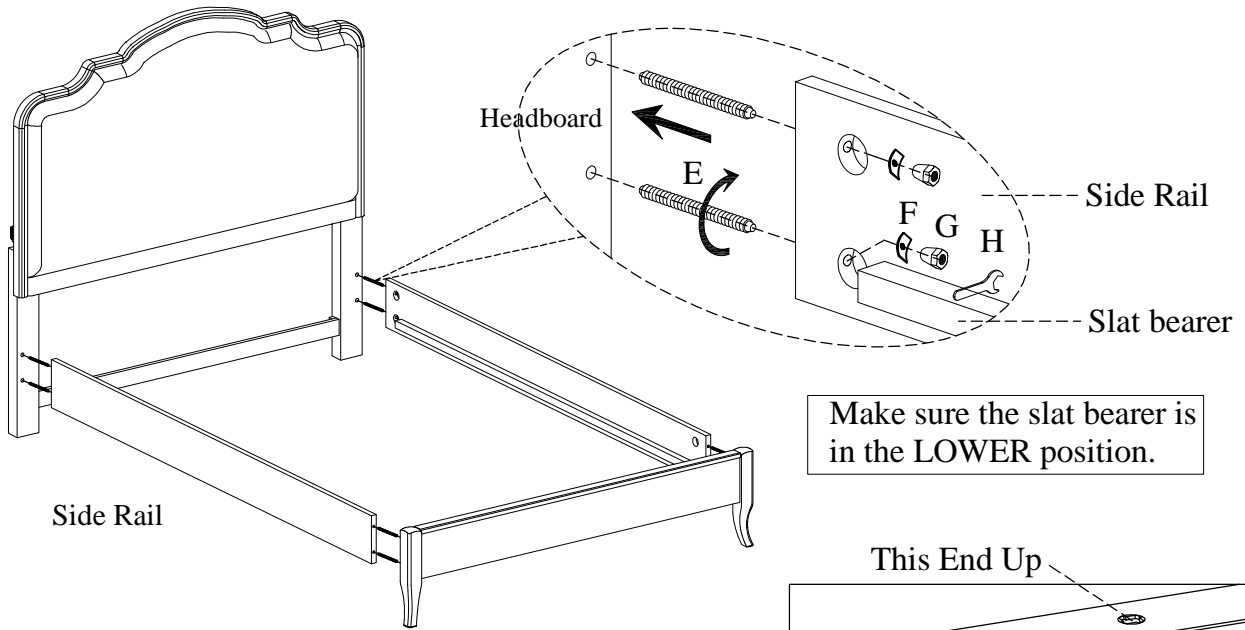




ITEM NO: I222-422 Queen Uph HB
 I222-402 Queen Rails w/ Decking
 I222-403 Queen Low Profile FB

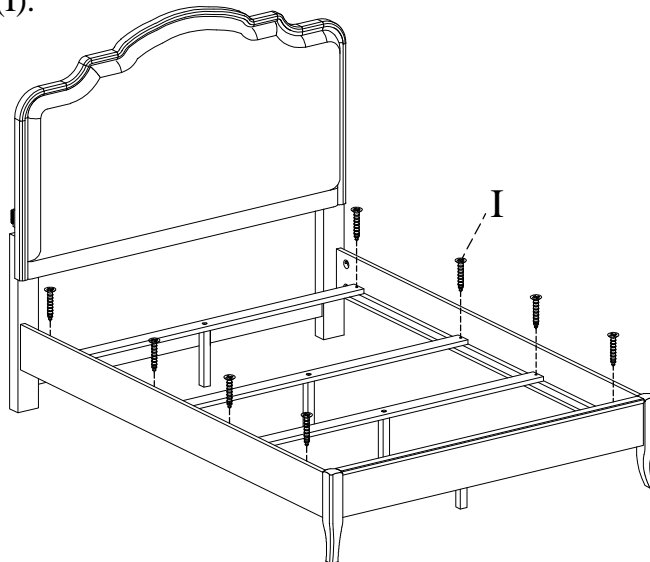
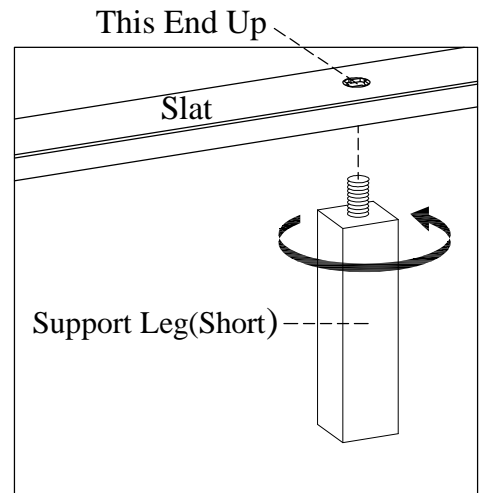
OPTION 2: The side rails may be used on either side. Arrange the side rails so the slat bearers are in **LOWER POSITION** prior to attachment in STEP 4.

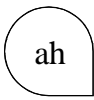
STEP 4: Screw the bolts(E) into HB & FB. Make sure the slat bearer is in the **LOWER** position. Align the bolts with the holes in the end of side rails and attach the side rails to HB & FB using half moon Washer(F) and hex nuts (G). Then use a hex wrench to tighten all the nuts.



STEP 5: Attach the support legs(short) to the slats as shown right.

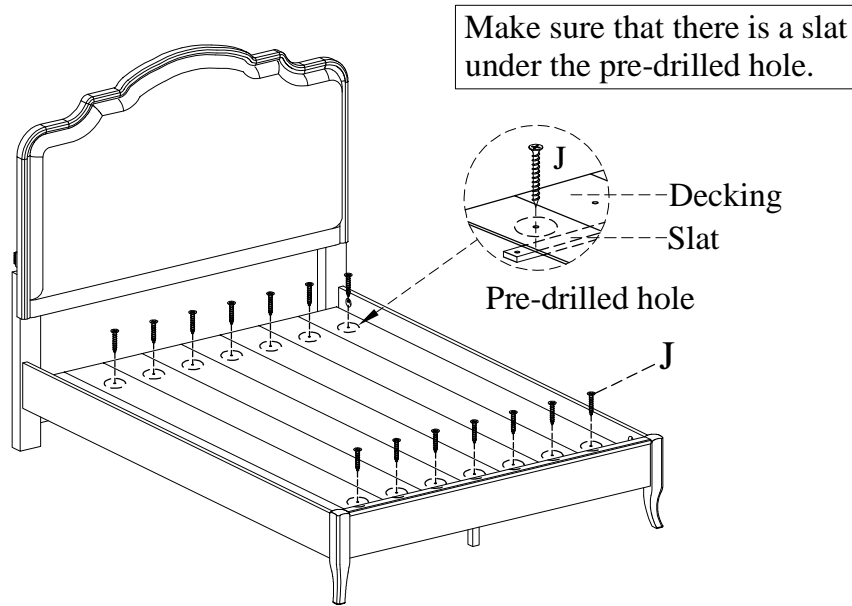
STEP 6: Arrange slats on the slat bearers and then lay the decking on top of the slats. Make sure the top and bottom slats are situated underneath the pre-drilled holes as shown in STEP 7. Remove the decking and attach slats to the slat bearers with wood screws (I).



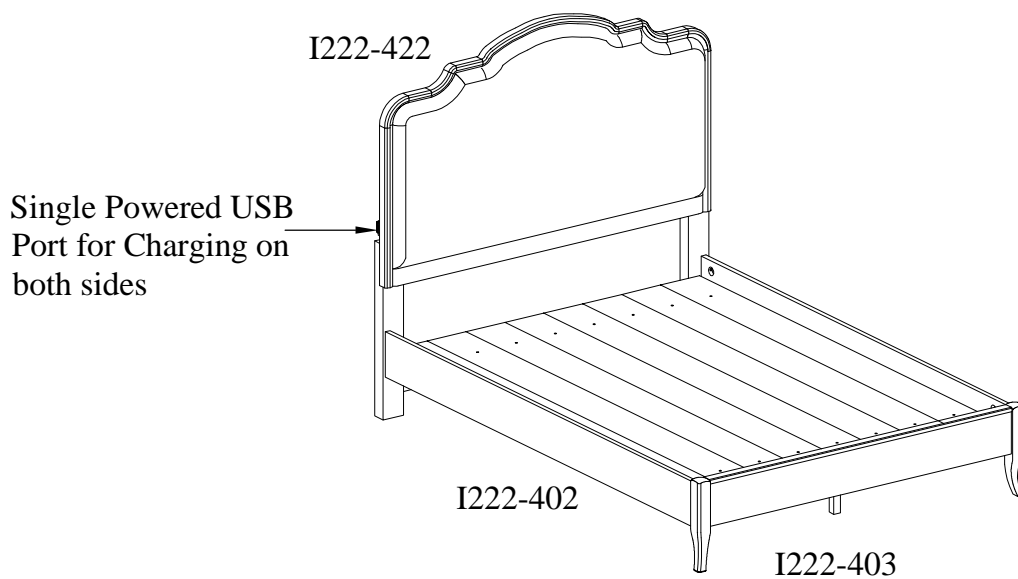


ITEM NO: I222-422 Queen Uph HB
I222-402 Queen Rails w/ Decking
I222-403 Queen Low Profile FB

STEP 7: Put the decking over the slats, secure decking to the slats with wood screws (J) through the pre-drilled holes in the decking as shown below.



FUNCTIONALITY INSTRUCTION



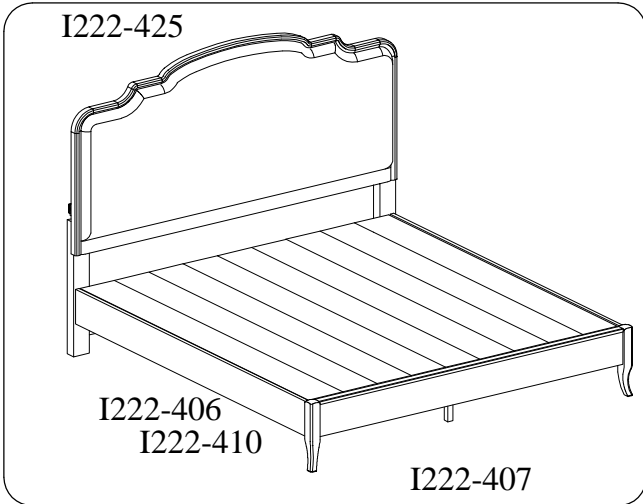


- ITEM NO: I222-425 King Uph HB
 I222-406 King Rails w/ Decking
 I222-410 Cal King Rails w/ Decking
 I222-407 King Low Profile FB

Thank you for purchasing this quality product. Be sure to check all packing material carefully for small parts that may come loose inside the carton during shipment.



UNIT SHOULD BE INSTALLED BY 2 OR MORE PERSONS.



All Beds need to be set up in the exact final location so that after full assembly it will not need to be moved. Moving the bed will cause the support legs to move out of perpendicular (90 degree), weaken the support system, and may allow the bed to collapse.

TOOLS REQUIRED (NOT PROVIDED)
PHILLIPS SCREWDRIVER

HARDWARE LIST: I222-425			
No.	Description	Sketch	Quantity
A	Bolt Ø5/16" x 1-1/2"		10 PCS
B	Lock Washer Ø5/16"		10 PCS
C	Flat Washer Ø5/16" x 3/4"		10 PCS
D	Allen Wrench M4		1 PC

COMPONENTS LIST: I222-425			
No.	Description	Sketch	Quantity
1	Headboard		1 PC
2	Left Leg		1 PC
3	Right Leg		1 PC
4	Wood Stretcher		1 PC

HARDWARE LIST: I222-406/410			
No.	Description	Sketch	Quantity
E	Hanger Bolt Ø5/16" x 3"		8 PCS
F	Half Moon Washer Ø5/16"		8 PCS
G	Hex Nut Ø5/16"		8 PCS
H	Hex Wrench 13mm		1 PC
I	Wood Screw #4 x 1-1/4"		10 PCS
J	Wood Screw #4 x 3/4"(only for-406)		18 PCS
K	Wood Cap (only for 410)		8 PCS
L	Wood Screw #4 x 3/4"(only for-410)		16 PCS

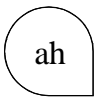
COMPONENTS LIST: I222-406			
No.	Description	Sketch	Quantity
1	Bed rails		2 PCS
2	Slats		5 PCS
3	Decking		9 PCS

COMPONENTS LIST: I222-410			
No.	Description	Sketch	Quantity
1	Bed rails		2 PCS
2	Slats		5 PCS
3	Decking		8 PCS

COMPONENTS LIST: I222-407			
No.	Description	Sketch	Quantity
1	Footboard		1 PC
2	Support Leg (Long)		5 PCS
3	Support Leg (Short)		5 PCS

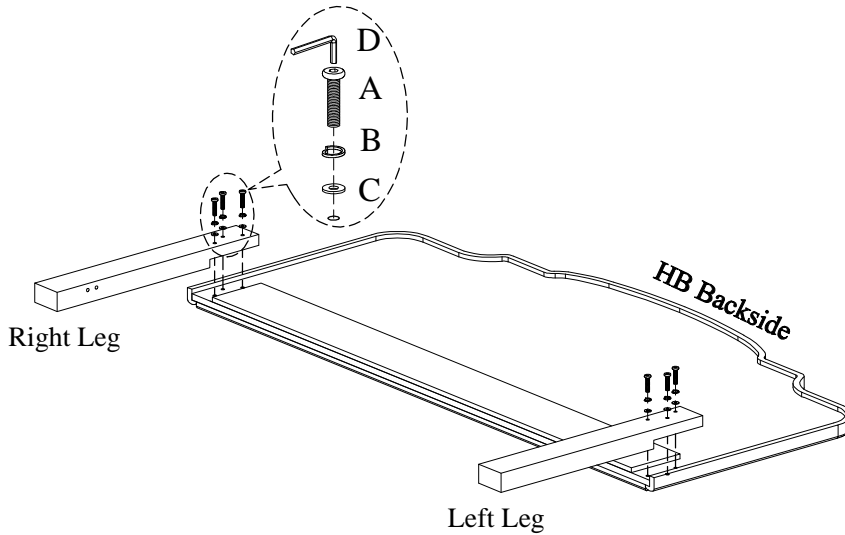
BEFORE USING THIS PRODUCT PLEASE READ, UNDERSTAND, AND FOLLOW THESE INSTRUCTIONS. Save these instructions for future reference.

FOR INDOOR USE ONLY

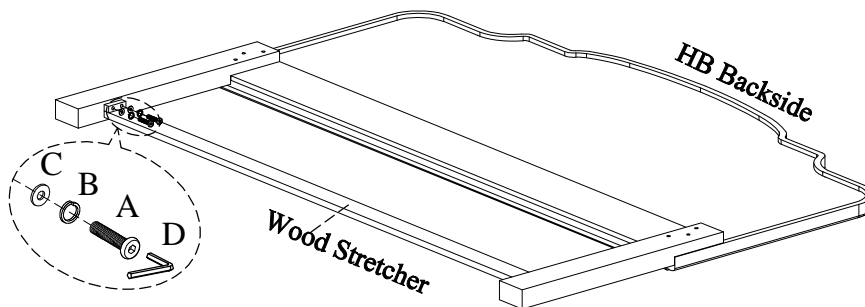


- ITEM NO: I222-425 King Uph HB
- I222-406 King Rails w/ Decking
- I222-410 Cal King Rails w/ Decking
- I222-407 King Low Profile FB

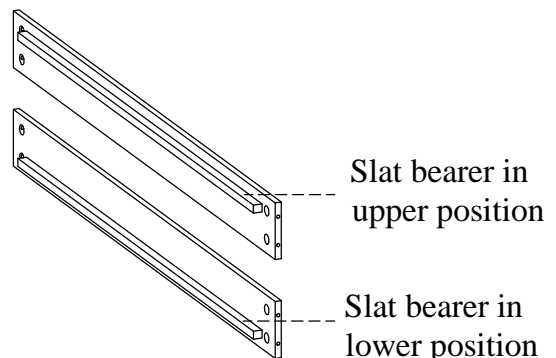
STEP 1: Lay the headboard face down on a soft surface. Attach the left leg and right leg to headboard by using 6 bolts(A), lock washers(B) and flat washers(C).



STEP 2: Attach the wood stretcher to the legs by using 4 bolts(A), lock washers(B) and flat washers(C).



STEP 3: The side rails may be used on either side. Arrange the side rails so the slat bearers are in UPPER POSITION prior to attachment as OPTION 1 and the slat bearers are in LOWER POSITION prior to attachment as OPTION 2.

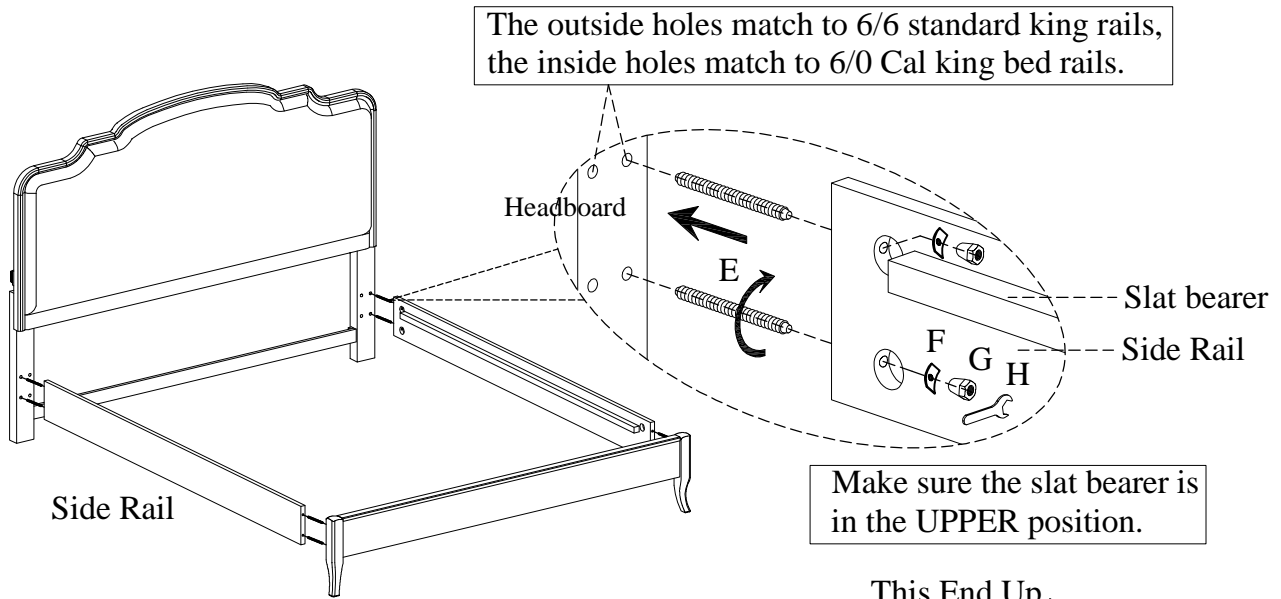




- ITEM NO: I222-425 King Uph HB
 I222-406 King Rails w/ Decking
 I222-410 Cal King Rails w/ Decking
 I222-407 King Low Profile FB

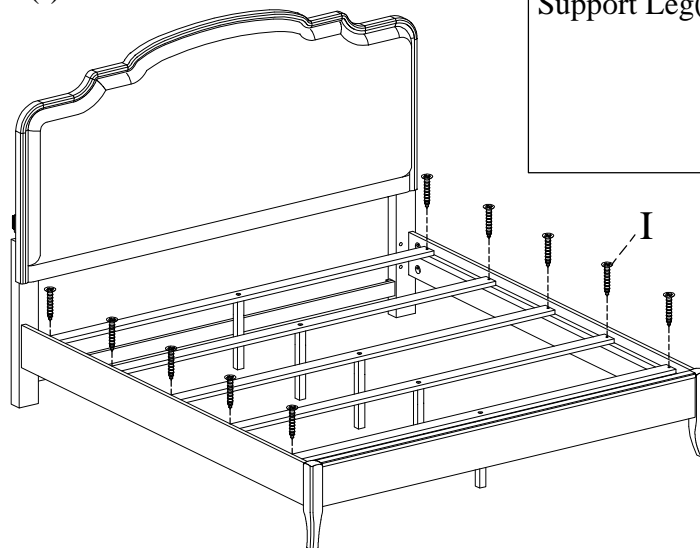
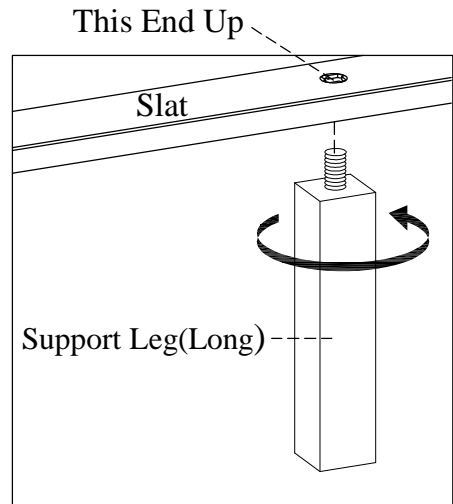
OPTION 1: The side rails may be used on either side. Arrange the side rails so the slat bearers are in UPPER POSITION prior to attachment in STEP 4.

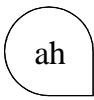
STEP 4: Screw the bolts(E) into HB & FB. Make sure the slat bearer is in the UPPER position. Align the bolts with the holes in the end of side rails and attach the side rails to HB & FB using half moon Washer(F) and hex nuts(G). Then use a hex wrench to tighten all the nuts.



STEP 5: Attach the support legs(long) to the slats as shown right.

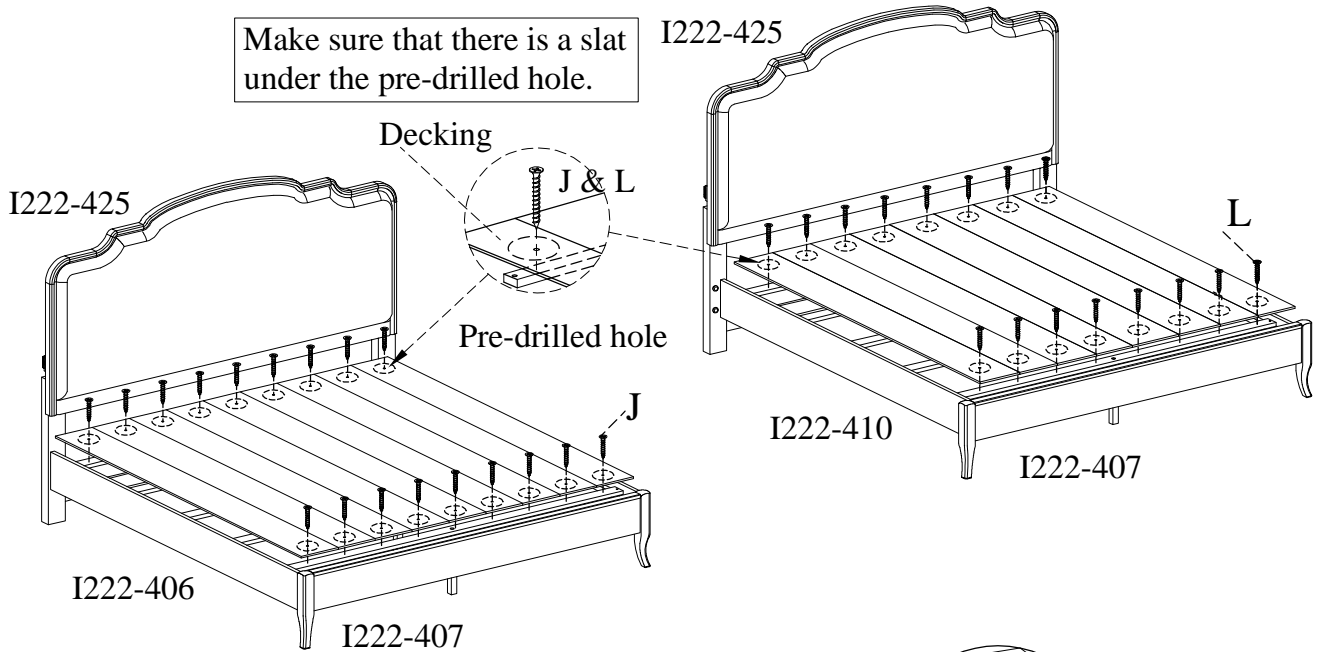
STEP 6: Arrange slats on the slat bearers and then lay the decking on top of the slats. Make sure the top and bottom slats are situated underneath the pre-drilled holes as shown in STEP 7. Remove the decking and attach slats to the slat bearers with wood screws(I).



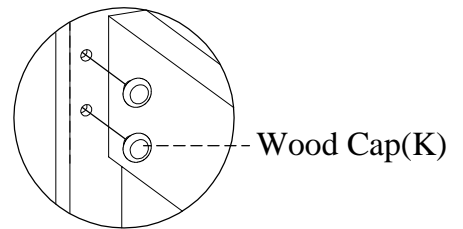


- ITEM NO: I222-425 King Uph HB
- I222-406 King Rails w/ Decking
- I222-410 Cal King Rails w/ Decking
- I222-407 King Low Profile FB

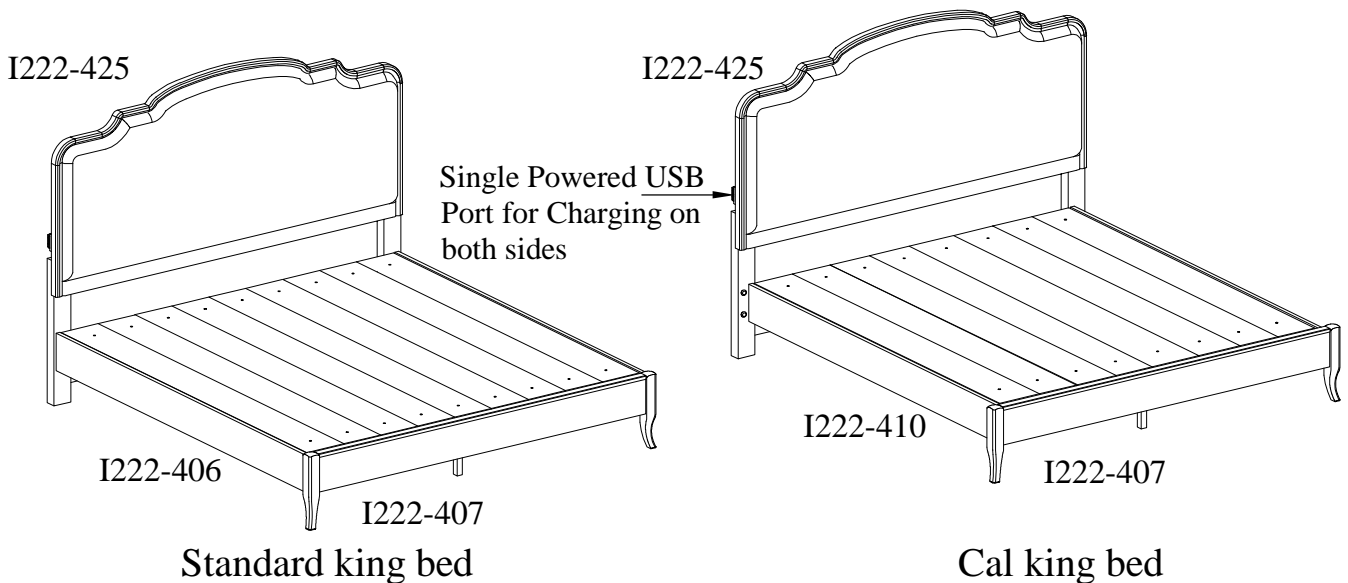
STEP 7: Put the decking over the slats, secure decking to the slats with wood screws(J & L) through the pre-drilled holes in the decking as shown below.



STEP 8: For Cal King bed, insert wood caps into the holes on headboard and footboard. For regular King bed, skip this step.



FUNCTIONALITY INSTRUCTION

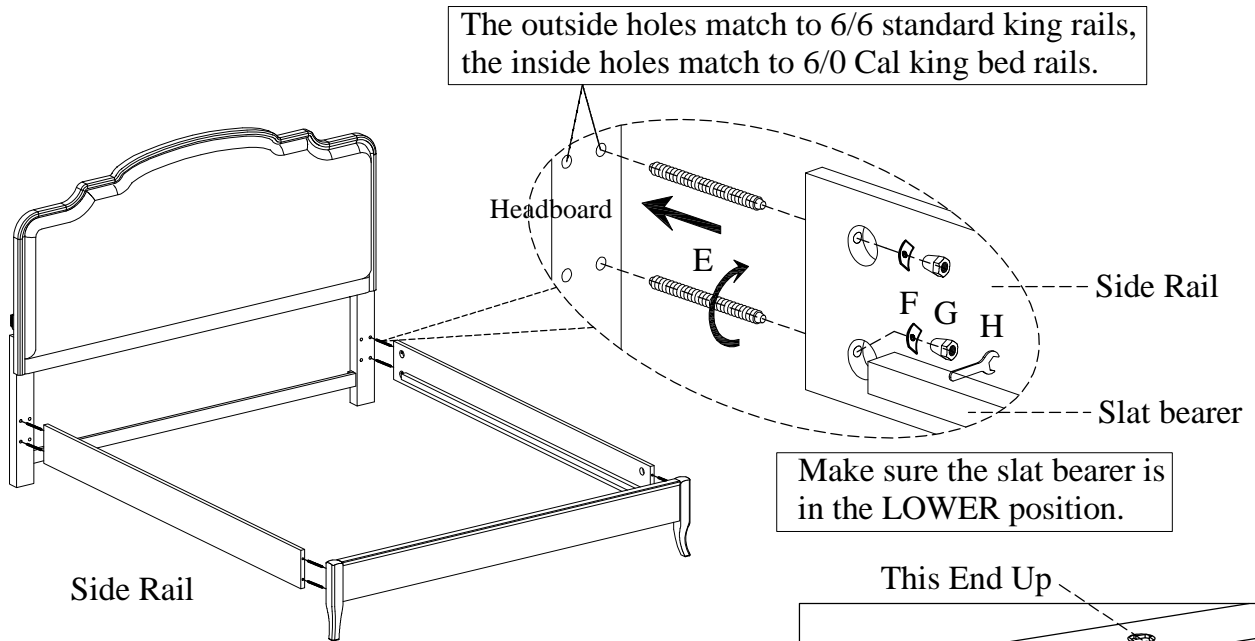




- ITEM NO: I222-425 King Uph HB
 I222-406 King Rails w/ Decking
 I222-410 Cal King Rails w/ Decking
 I222-407 King Low Profile FB

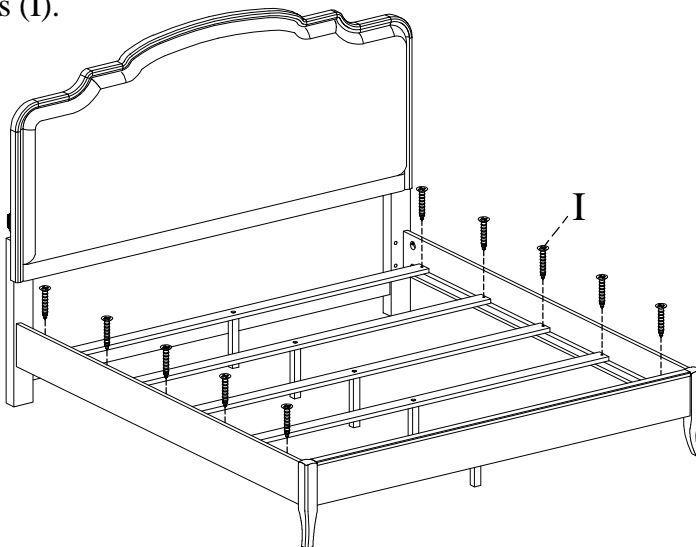
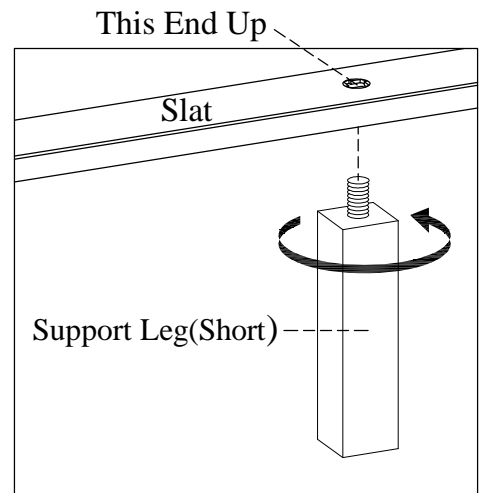
OPTION 2: The side rails may be used on either side. Arrange the side rails so the slat bearers are in LOWER POSITION prior to attachment in STEP 4.

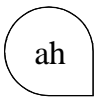
STEP 4: Screw the bolts(E) into HB & FB. Make sure the slat bearer is in the LOWER position. Align the bolts with the holes in the end of side rails and attach the side rails to HB & FB using half moon Washer(F) and hex nuts(G). Then use a hex wrench to tighten all the nuts.



STEP 5: Attach the support legs(short) to the slats as shown right.

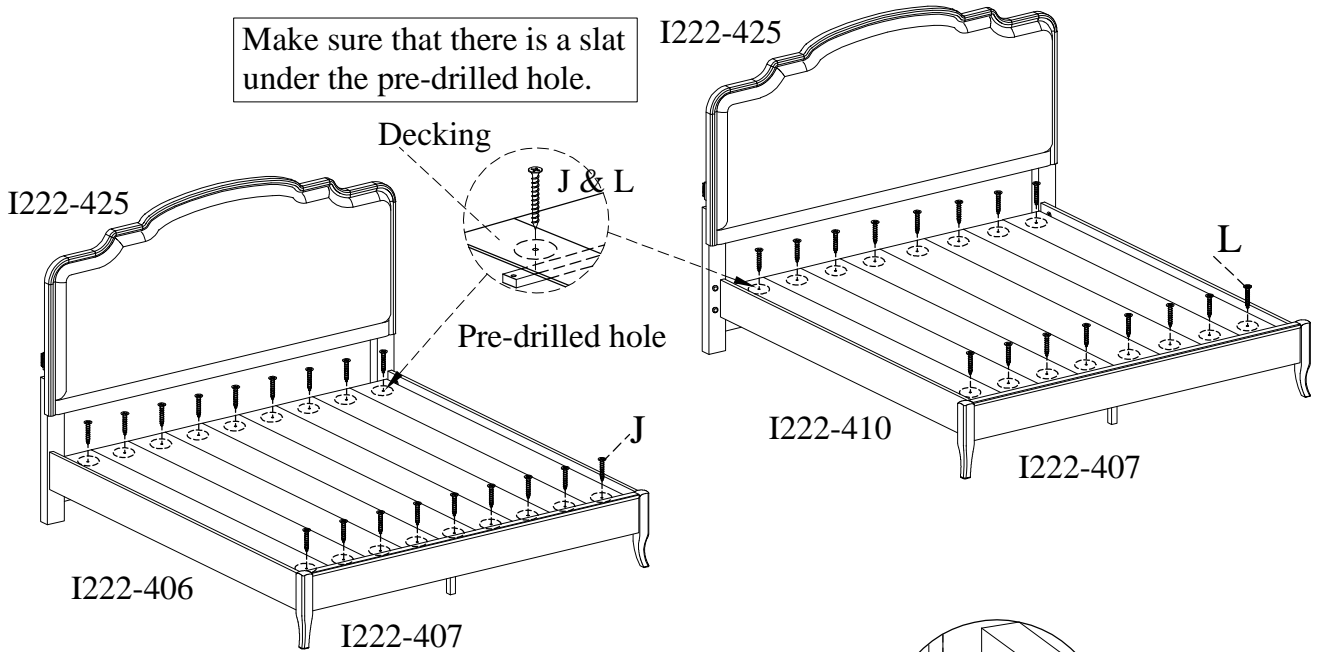
STEP 6: Arrange slats on the slat bearers and then lay the decking on top of the slats. Make sure the top and bottom slats are situated underneath the pre-drilled holes as shown in STEP 7. Remove the decking and attach slats to the slat bearers with wood screws (I).



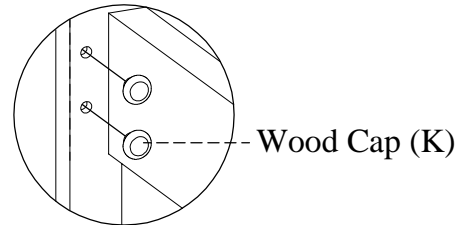


- ITEM NO: I222-425 King Uph HB
- I222-406 King Rails w/ Decking
- I222-410 Cal King Rails w/ Decking
- I222-407 King Low Profile FB

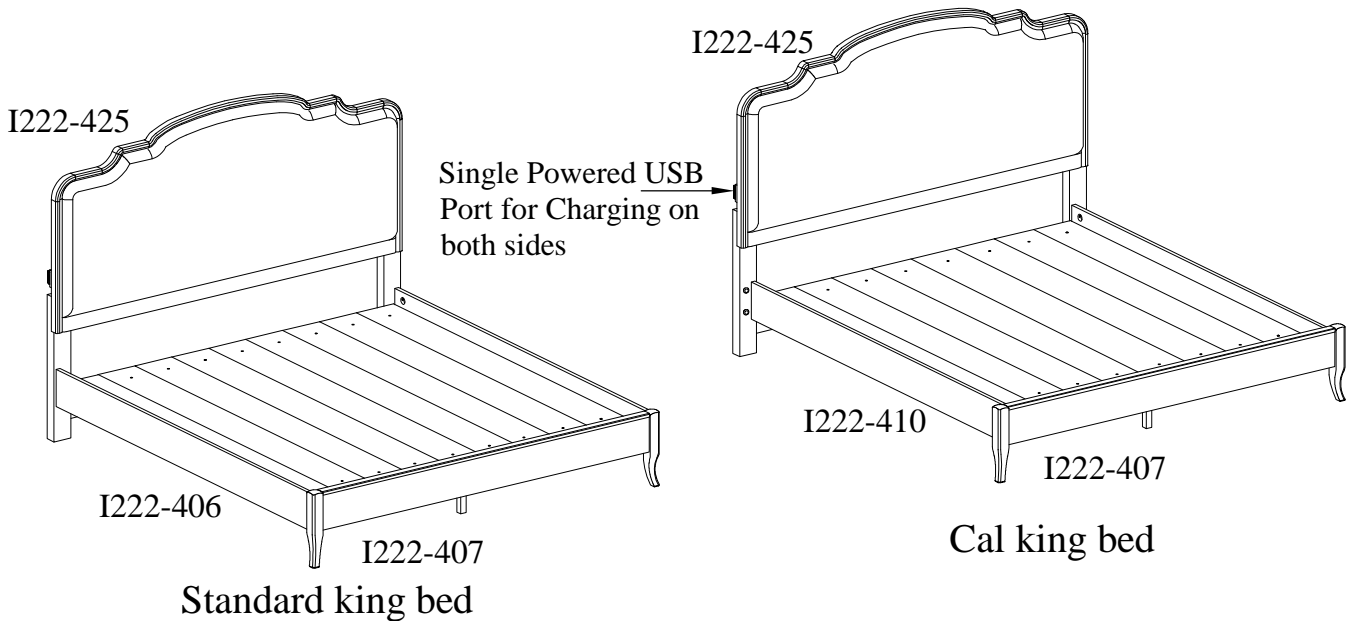
STEP 7: Put the decking over the slats, secure decking to the slats with wood screws(J & L) through the pre-drilled holes in the decking as shown below.



STEP 8: For Cal King bed, insert wood caps into the holes on headboard and footboard. For regular King bed, skip this step.



FUNCTIONALITY INSTRUCTION



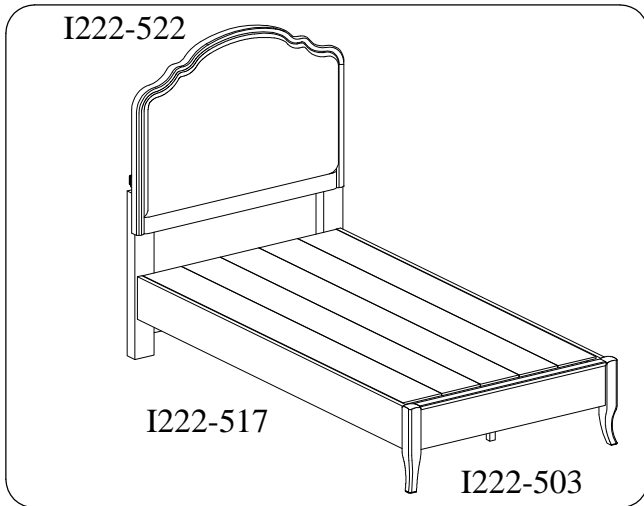


ITEM NO: I222-522 Twin Uph HB
 I222-503 Twin Low Profile FB
 I222-517 Twin Rails w/ Decking

Thank you for purchasing this quality product. Be sure to check all packing material carefully for small parts that may come loose inside the carton during shipment.



UNIT SHOULD BE INSTALLED BY 2 OR MORE PERSONS.



All Beds need to be set up in the exact final location so that after full assembly it will not need to be moved. Moving the bed will cause the support legs to move out of perpendicular (90 degree), weaken the support system, and may allow the bed to collapse.

TOOLS REQUIRED (NOT PROVIDED)
PHILLIPS SCREWDRIVER

HARDWARE LIST: I222-522			
No.	Description	Sketch	Quantity
A	Bolt Ø5/16" x 1-1/2"		10 PCS
B	Lock Washer Ø5/16"		10 PCS
C	Flat Washer Ø5/16" x 3/4"		10 PCS
D	Allen Wrench M4		1 PC

COMPONENTS LIST: I222-522			
No.	Description	Sketch	Quantity
1	Headboard		1 PC
2	Left Leg		1 PC
3	Right Leg		1 PC
4	Wood Stretcher		1 PC

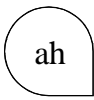
HARDWARE LIST: I222-517			
No.	Description	Sketch	Quantity
E	Hanger Bolt Ø5/16" x 3"		8 PCS
F	Half Moon Washer Ø5/16"		8 PCS
G	Hex Nut Ø5/16"		8 PCS
H	Hex Wrench 13mm		1 PC
I	Wood Screw #4 x 1-1/4"		8 PCS
J	Wood Screw #4 x 3/4"		10 PCS

COMPONENTS LIST: I222-517			
No.	Description	Sketch	Quantity
1	Bed rails		2 PCS
2	Slats		4 PCS
3	Decking		5 PCS

COMPONENTS LIST: I222-503			
No.	Description	Sketch	Quantity
1	Footboard		1 PC
2	Support Leg (Long)		4 PCS
3	Support Leg (Short)		4 PCS

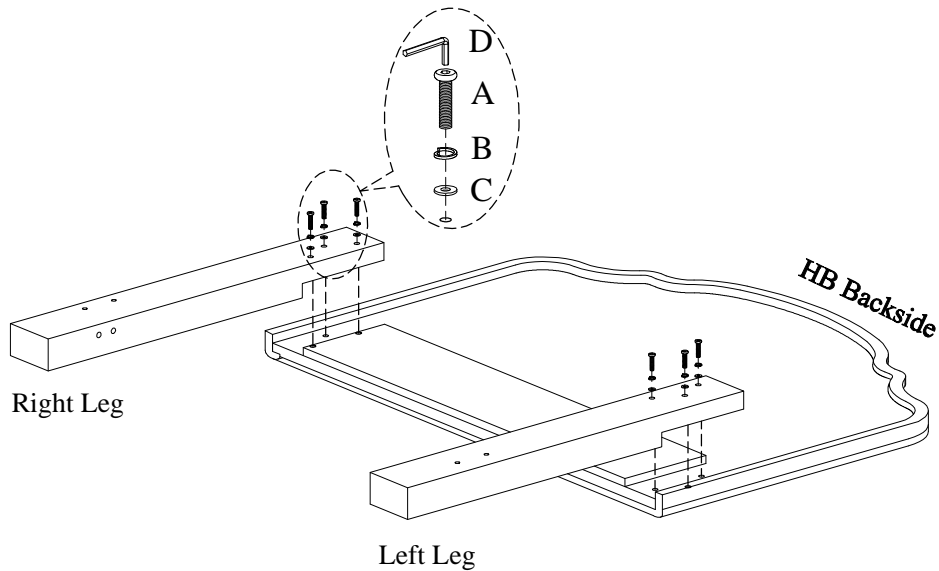
BEFORE USING THIS PRODUCT PLEASE READ, UNDERSTAND, AND FOLLOW THESE INSTRUCTIONS. Save these instructions for future reference.

FOR INDOOR USE ONLY

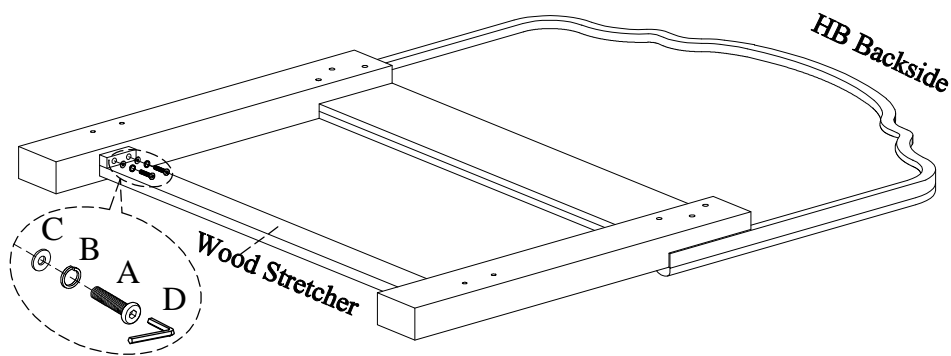


ITEM NO: I222-522 Twin Uph HB
 I222-503 Twin Low Profile FB
 I222-517 Twin Rails w/ Decking

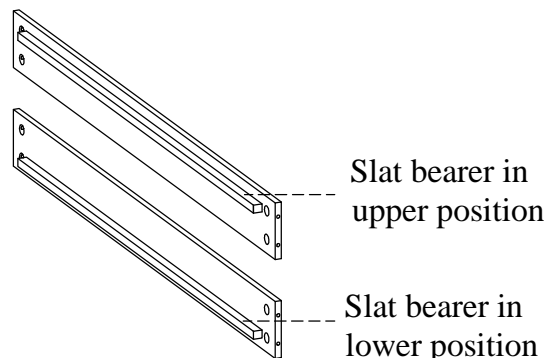
STEP 1: Lay the headboard face down on a soft surface. Attach the left leg and right leg to headboard by using 6 bolts(A), lock washers(B) and flat washers(C).

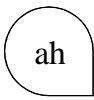


STEP 2: Attach the wood stretcher to the legs by using 4 bolts(A), lock washers(B) and flat washers(C).



STEP 3: The side rails may be used on either side. Arrange the side rails so the slat bearers are in UPPER POSITION prior to attachment as OPTION 1 and the slat bearers are in LOWER POSITION prior to attachment as OPTION 2.

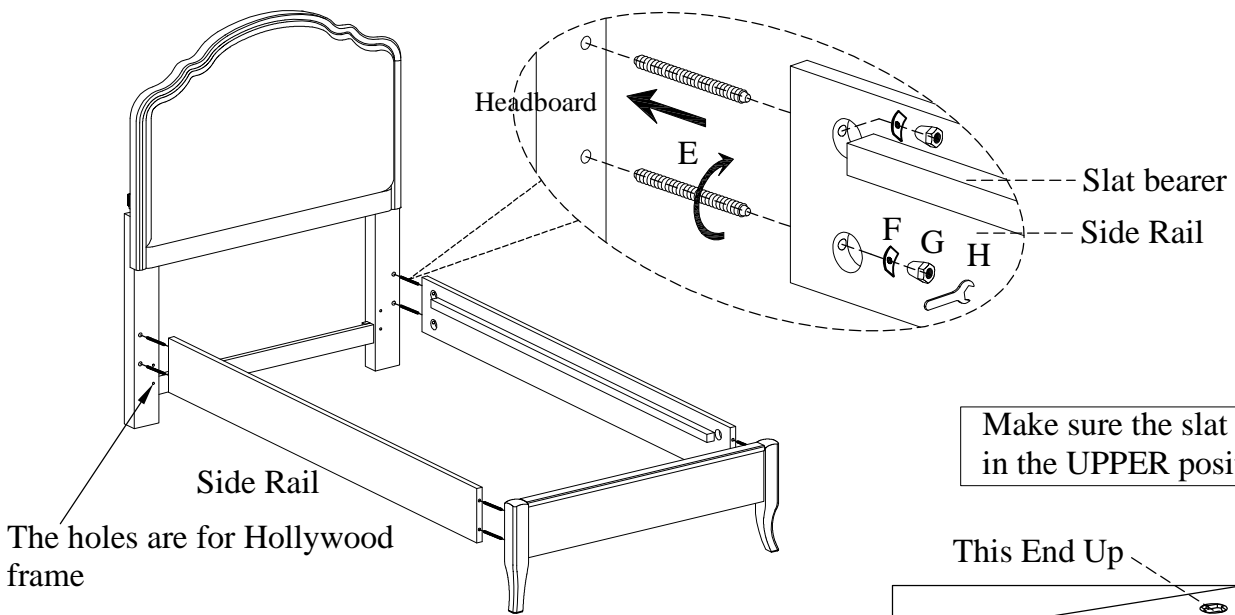




ITEM NO: I222-522 Twin Uph HB
 I222-503 Twin Low Profile FB
 I222-517 Twin Rails w/ Decking

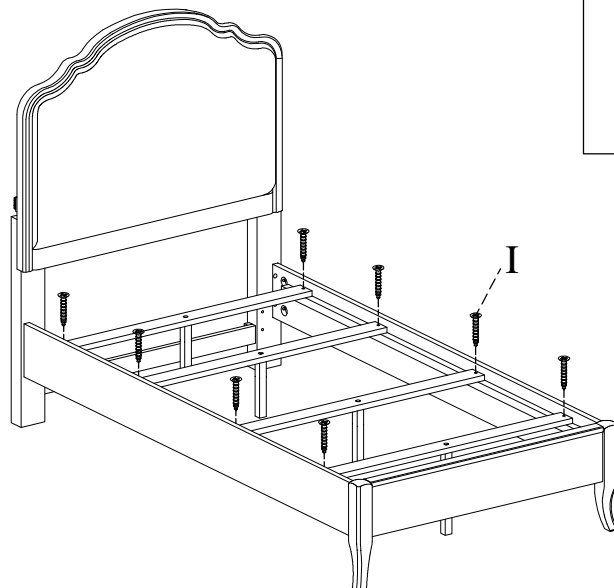
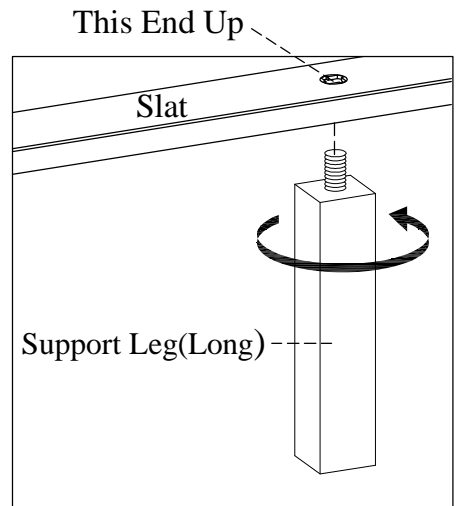
OPTION 1: The side rails may be used on either side. Arrange the side rails so the slat bearers are in UPPER POSITION prior to attachment in STEP 4.

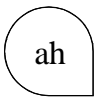
STEP 4: Screw the bolts(E) into HB & FB. Make sure the slat bearer is in the UPPER position. Align the bolts with the holes in the end of side rails and attach the side rails to HB & FB using half moon Washer(F) and hex nuts (G). Then use a hex wrench to tighten all the nuts.



STEP 5: Attach the support legs(long) to the slats as shown right.

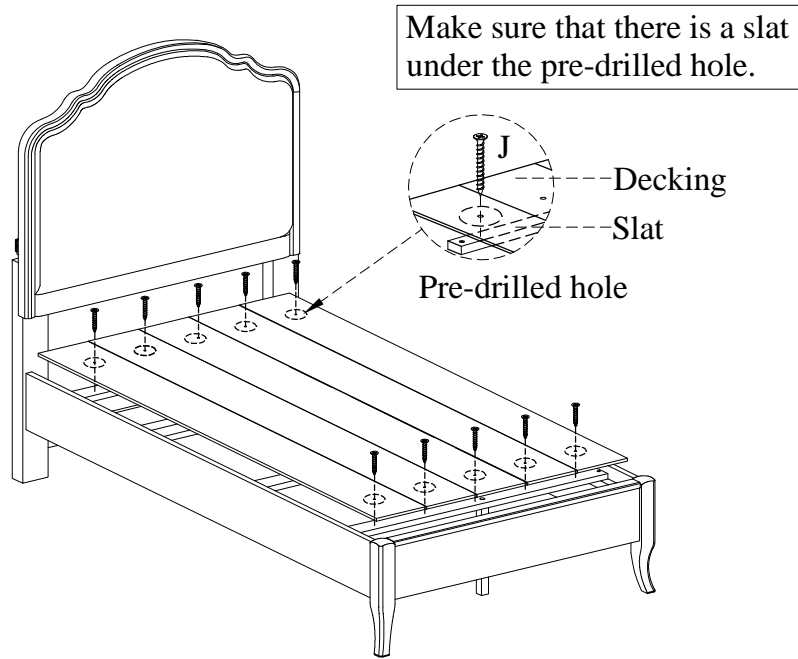
STEP 6: Arrange slats on the slat bearers and then lay the decking on top of the slats. Make sure the top and bottom slats are situated underneath the pre-drilled holes as shown in STEP 7. Remove the decking and attach slats to the slat bearers with wood screws (I).



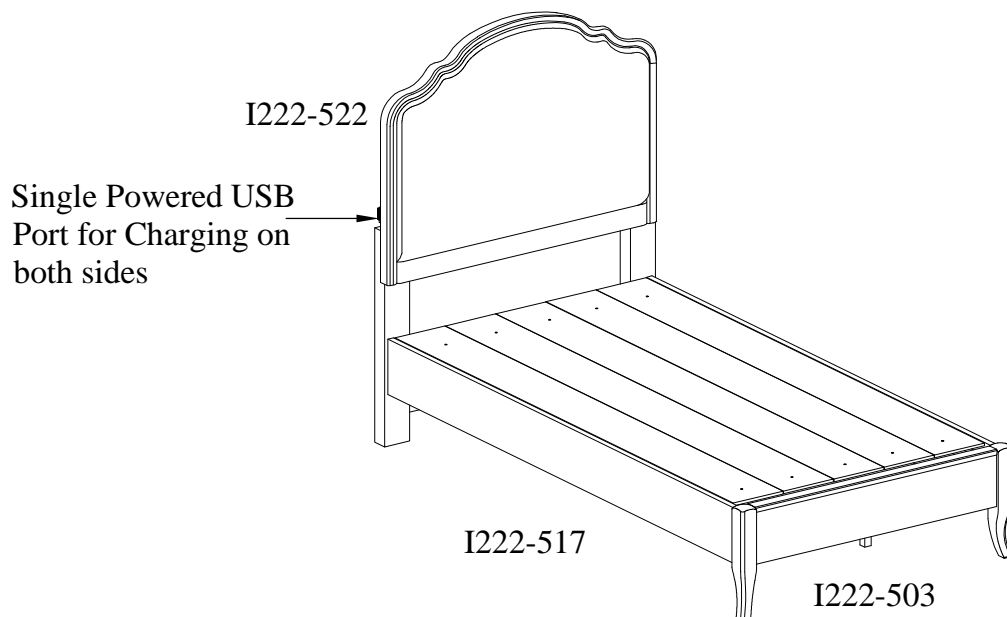


ITEM NO: I222-522 Twin Uph HB
I222-503 Twin Low Profile FB
I222-517 Twin Rails w/ Decking

STEP 7: Put the decking over the slats, secure decking to the slats with wood screws (J) through the pre-drilled holes in the decking as shown below.



FUNCTIONALITY INSTRUCTION

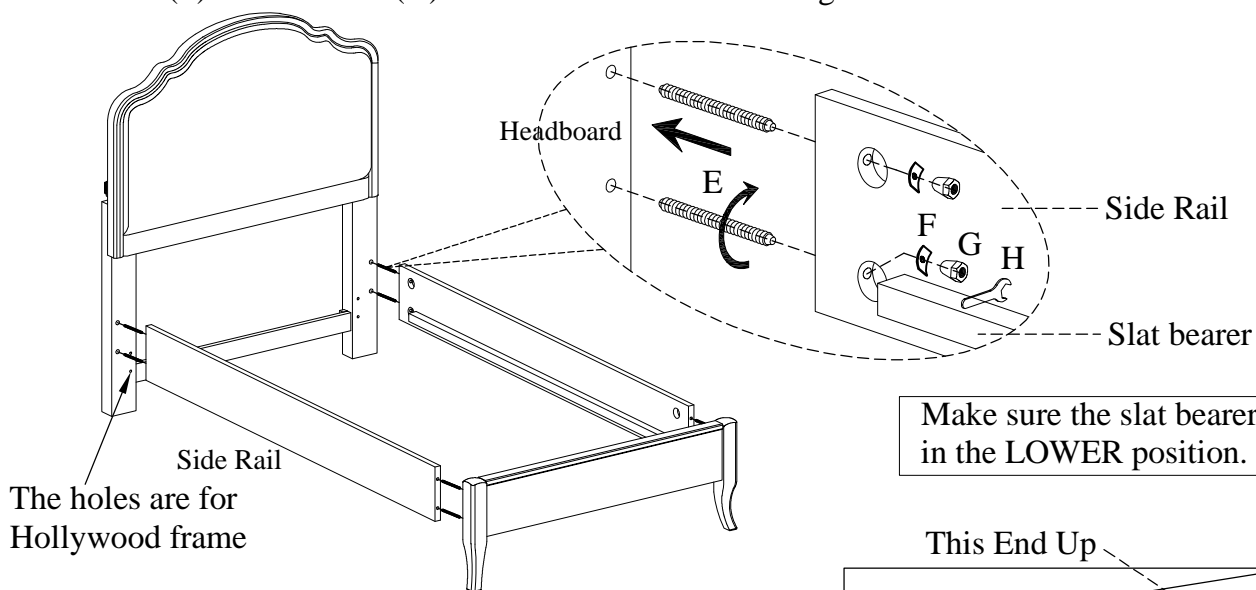




ITEM NO: I222-522 Twin Uph HB
 I222-503 Twin Low Profile FB
 I222-517 Twin Rails w/ Decking

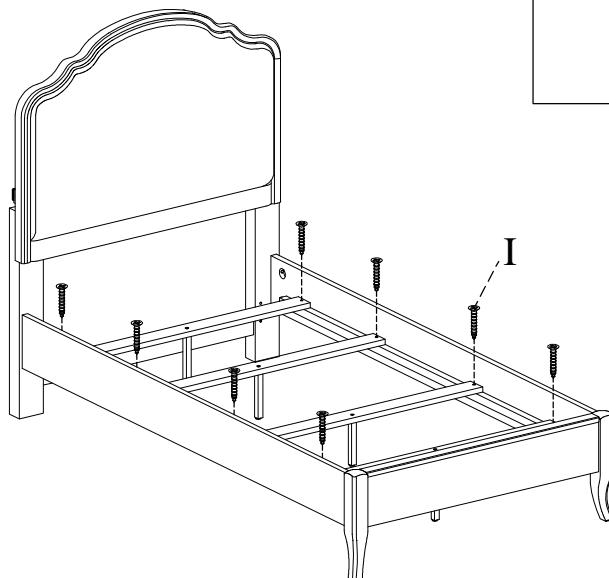
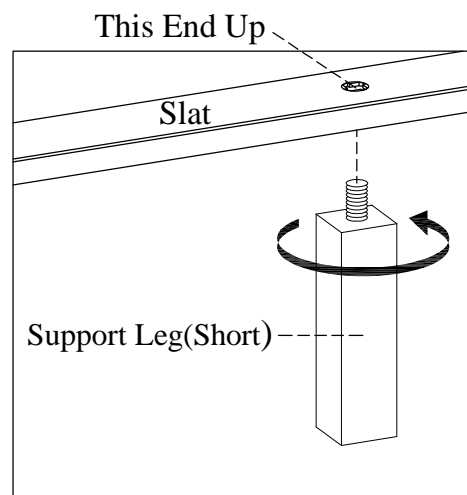
OPTION 2: The side rails may be used on either side. Arrange the side rails so the slat bearers are in LOWER POSITION prior to attachment in STEP 4.

STEP 4: Screw the bolts(E) into HB & FB. Make sure the slat bearer is in the LOWER position. Align the bolts with the holes in the end of side rails and attach the side rails to HB & FB using half moon Washer(F) and hex nuts (G). Then use a hex wrench to tighten all the nuts.



STEP 5: Attach the support legs(short) to the slats as shown righth.

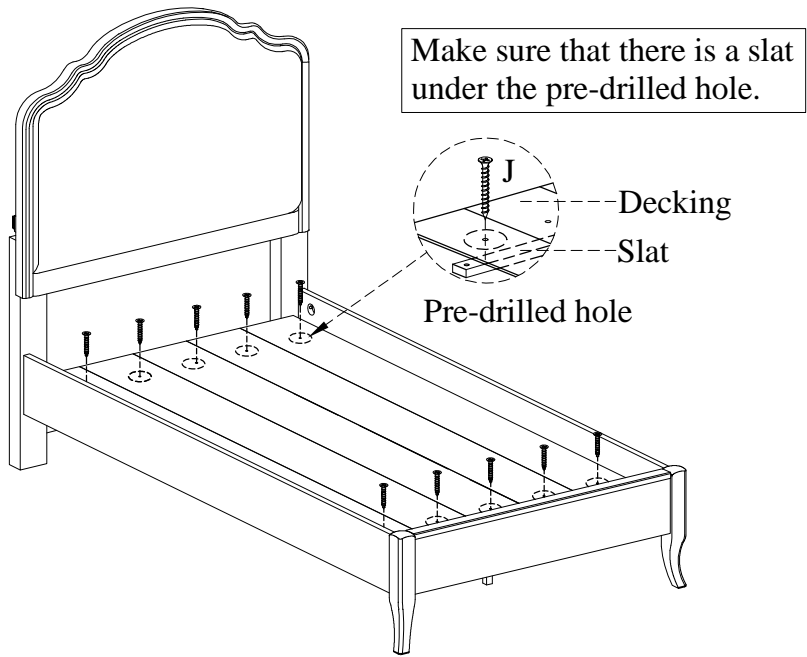
STEP 6: Arrange slats on the slat bearers and then lay the decking on top of the slats. Make sure the top and bottom slats are situated underneath the pre-drilled holes as shown in STEP 7. Remove the decking and attach slats to the slat bearers with wood screws (I).



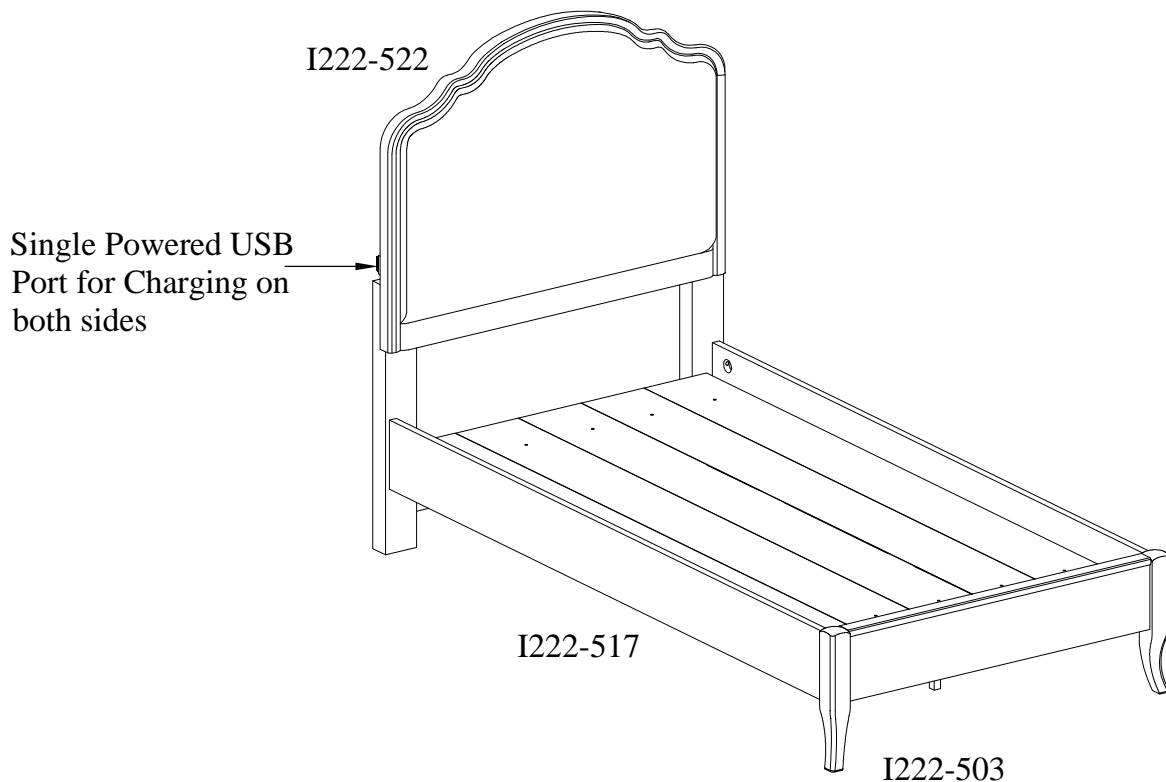


ITEM NO: I222-522 Twin Uph HB
 I222-503 Twin Low Profile FB
 I222-517 Twin Rails w/ Decking

STEP 7: Put the decking over the slats, secure decking to the slats with wood screws (J) through the pre-drilled holes in the decking as shown below.



FUNCTIONALITY INSTRUCTION



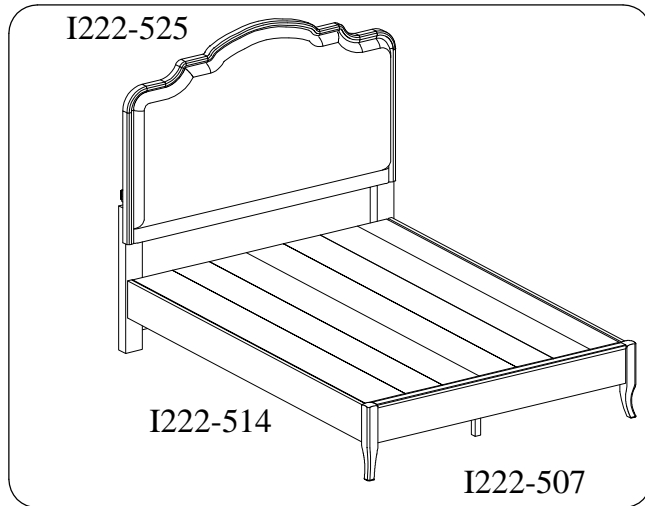


ITEM NO: I222-525 Full Uph HB
 I222-507 Full Low Profile FB
 I222-514 Full Rails w/ Decking

Thank you for purchasing this quality product. Be sure to check all packing material carefully for small parts that may come loose inside the carton during shipment.



UNIT SHOULD BE INSTALLED BY 2 OR MORE PERSONS.



All Beds need to be set up in the exact final location so that after full assembly it will not need to be moved. Moving the bed will cause the support legs to move out of perpendicular (90 degree), weaken the support system, and may allow the bed to collapse.

TOOLS REQUIRED (NOT PROVIDED)
PHILLIPS SCREWDRIVER

HARDWARE LIST: I222-525			
No.	Description	Sketch	Quantity
A	Bolt Ø5/16" x 1-1/2"		10 PCS
B	Lock Washer Ø5/16"		10 PCS
C	Flat Washer Ø5/16" x 3/4"		10 PCS
D	Allen Wrench M4		1 PC

COMPONENTS LIST: I222-525			
No.	Description	Sketch	Quantity
1	Headboard		1 PC
2	Left Leg		1 PC
3	Right Leg		1 PC
4	Wood Stretcher		1 PC

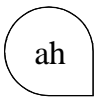
HARDWARE LIST: I222-514			
No.	Description	Sketch	Quantity
E	Hanger Bolt Ø5/16" x 3"		8 PCS
F	Half Moon Washer Ø5/16"		8 PCS
G	Hex Nut Ø5/16"		8 PCS
H	Hex Wrench 13mm		1 PC
I	Wood Screw #4 x 1-1/4"		8 PCS
J	Wood Screw #4 x 3/4"		14 PCS

COMPONENTS LIST: I222-514			
No.	Description	Sketch	Quantity
1	Bed rails		2 PCS
2	Slats		4 PCS
3	Decking		7 PCS

COMPONENTS LIST: I222-507			
No.	Description	Sketch	Quantity
1	Footboard		1 PC
2	Support Leg (Long)		4 PCS
3	Support Leg (Short)		4 PCS

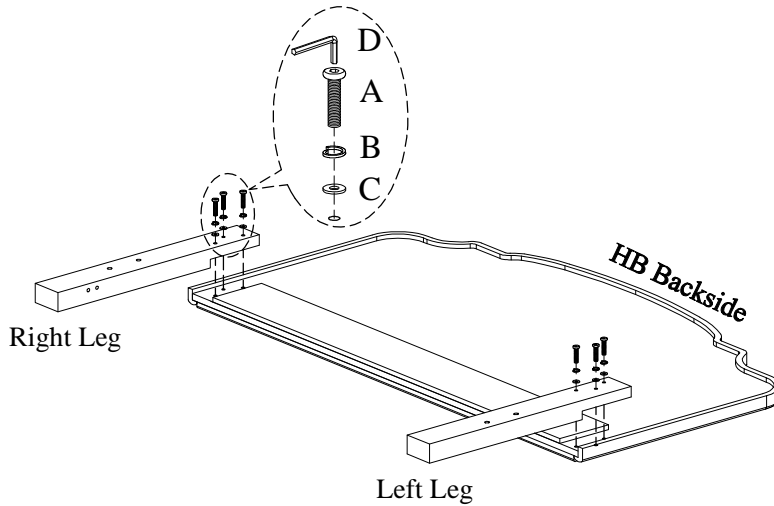
BEFORE USING THIS PRODUCT PLEASE READ, UNDERSTAND, AND FOLLOW THESE INSTRUCTIONS. Save these instructions for future reference.

FOR INDOOR USE ONLY

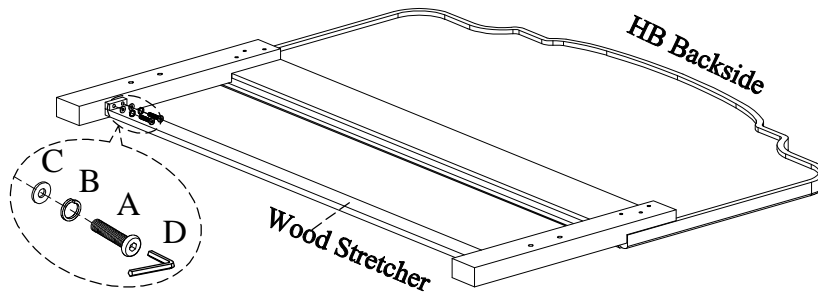


ITEM NO: I222-525 Full Uph HB
 I222-507 Full Low Profile FB
 I222-514 Full Rails w/ Decking

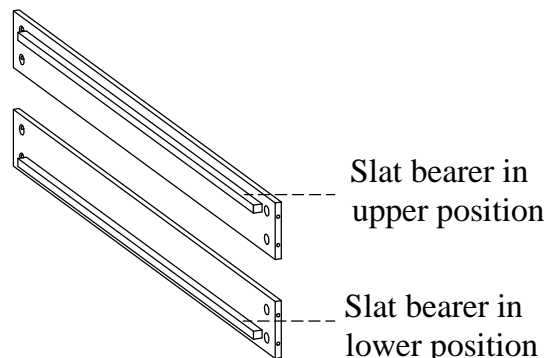
STEP 1: Lay the headboard face down on a soft surface. Attach the left leg and right leg to headboard by using 6 bolts(A), lock washers(B) and flat washers(C).

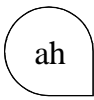


STEP 2: Attach the wood stretcher to the legs by using 4 bolts(A), lock washers(B) and flat washers(C).



STEP 3: The side rails may be used on either side. Arrange the side rails so the slat bearers are in UPPER POSITION prior to attachment as OPTION 1 and the slat bearers are in LOWER POSITION prior to attachment as OPTION 2.

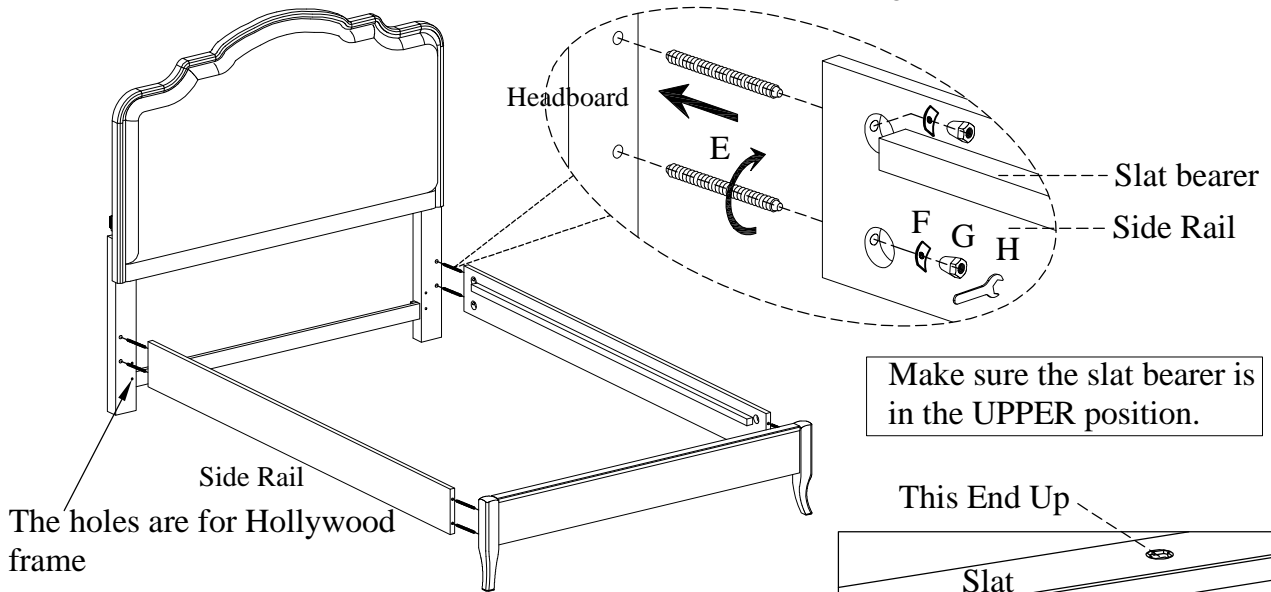




ITEM NO: I222-525 Full Uph HB
 I222-507 Full Low Profile FB
 I222-514 Full Rails w/ Decking

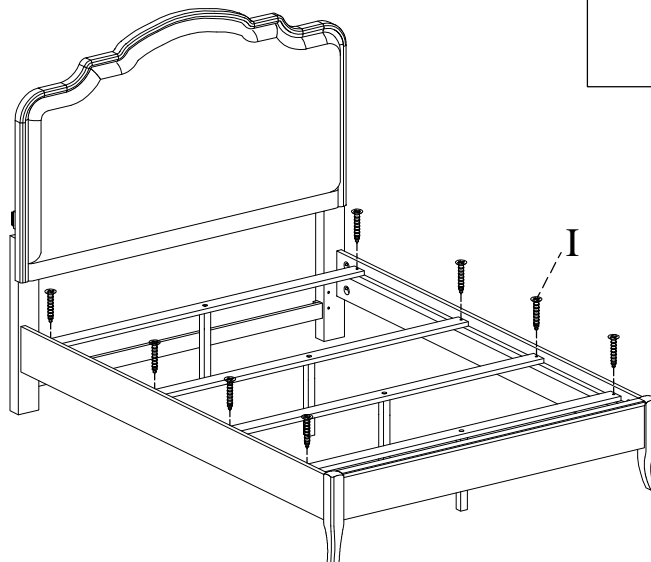
OPTION 1: The side rails may be used on either side. Arrange the side rails so the slat bearers are in UPPER POSITION prior to attachment in STEP 4.

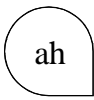
STEP 4: Screw the bolts(E) into HB & FB. Make sure the slat bearer is in the UPPER position. Align the bolts with the holes in the end of side rails and attach the side rails to HB & FB using half moon Washer(F) and hex nuts (G). Then use a hex wrench to tighten all the nuts.



STEP 5: Attach the support legs(long) to the slats as shown right.

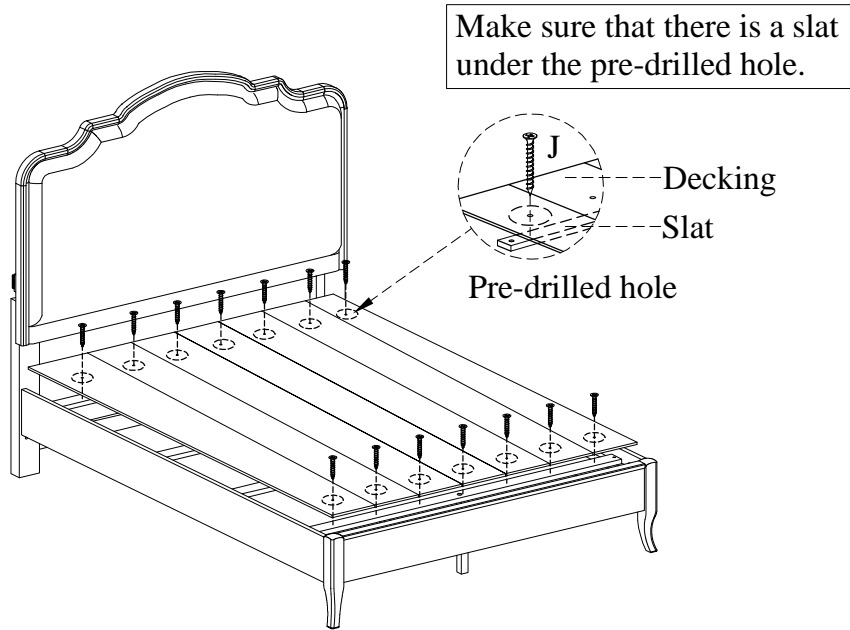
STEP 6: Arrange slats on the slat bearers and then lay the decking on top of the slats. Make sure the top and bottom slats are situated underneath the pre-drilled holes as shown in STEP 7. Remove the decking and attach slats to the slat bearers with wood screws (I).



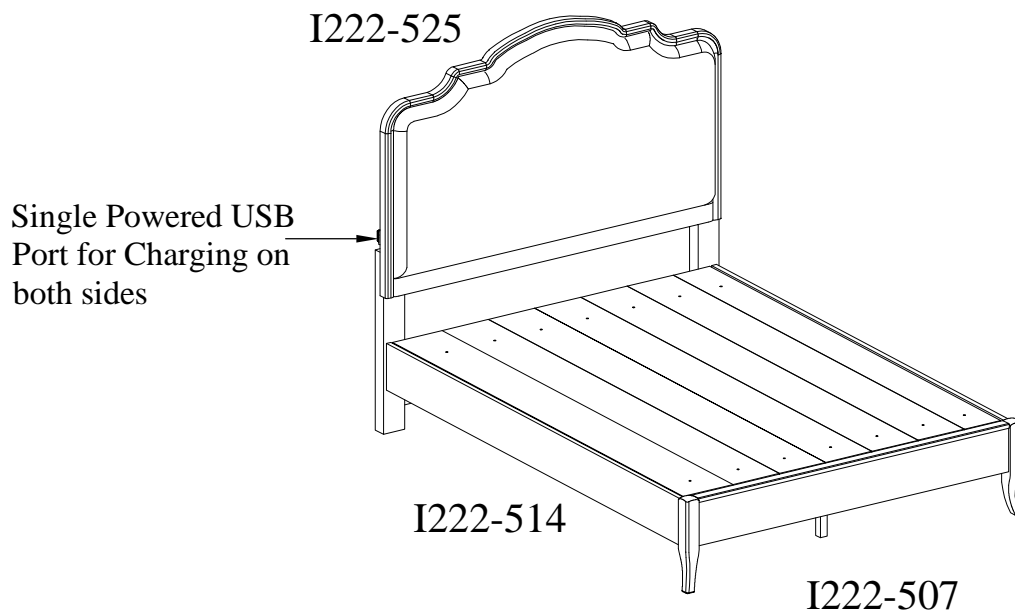


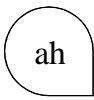
ITEM NO: I222-525 Full Uph HB
 I222-507 Full Low Profile FB
 I222-514 Full Rails w/ Decking

STEP 7: Put the decking over the slats, secure decking to the slats with wood screws (J) through the pre-drilled holes in the decking as shown below.



FUNCTIONALITY INSTRUCTION

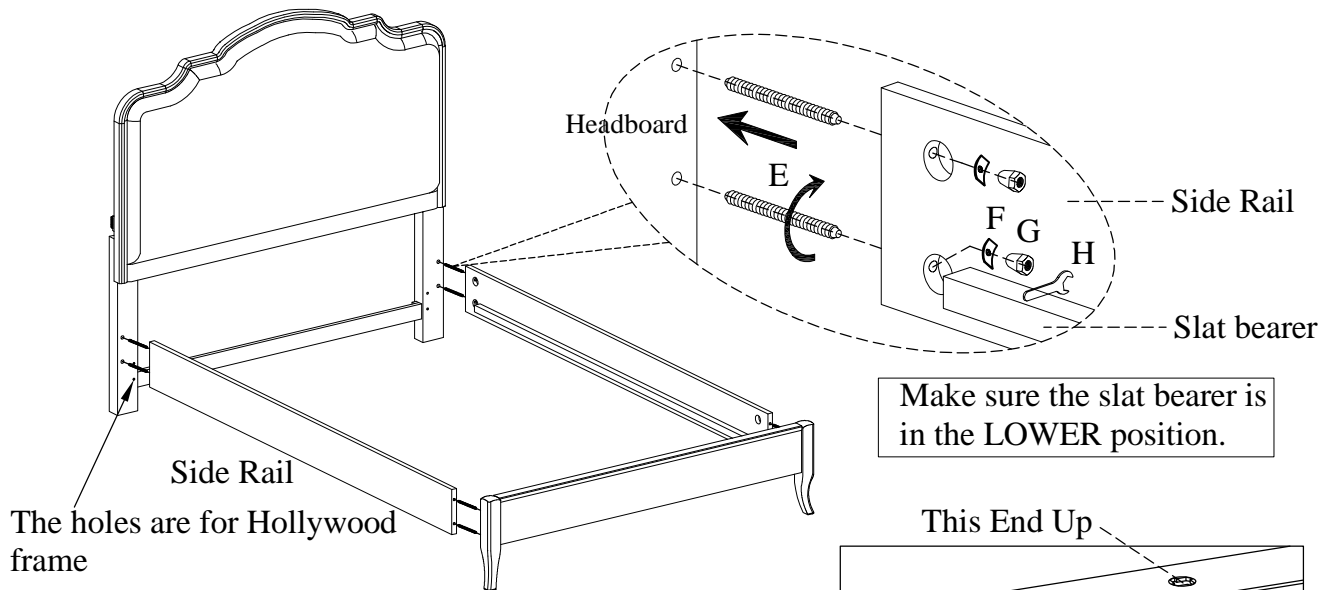




ITEM NO: I222-525 Full Uph HB
 I222-507 Full Low Profile FB
 I222-514 Full Rails w/ Decking

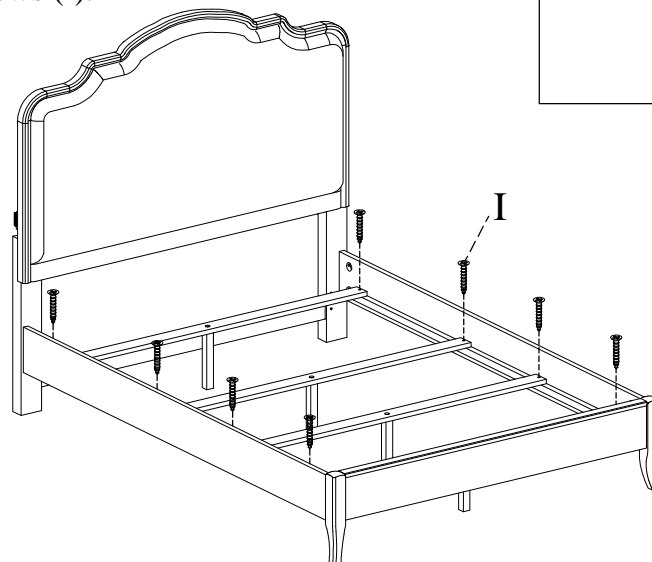
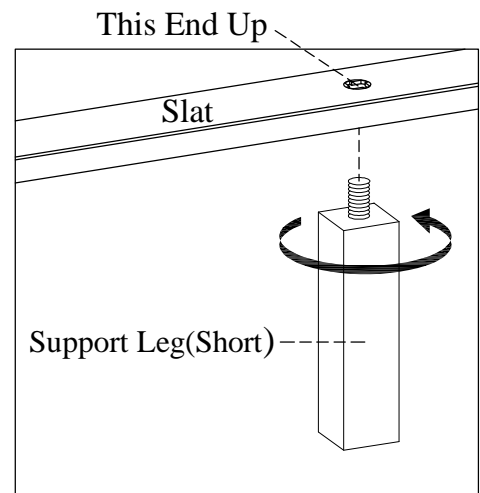
OPTION 2: The side rails may be used on either side. Arrange the side rails so the slat bearers are in LOWER POSITION prior to attachment in STEP 4.

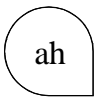
STEP 4: Screw the bolts(E) into HB & FB. Make sure the slat bearer is in the LOWER position. Align the bolts with the holes in the end of side rails and attach the side rails to HB & FB using half moon Washer(F) and hex nuts (G). Then use a hex wrench to tighten all the nuts.



STEP 5: Attach the support legs(short) to the slats as shown right.

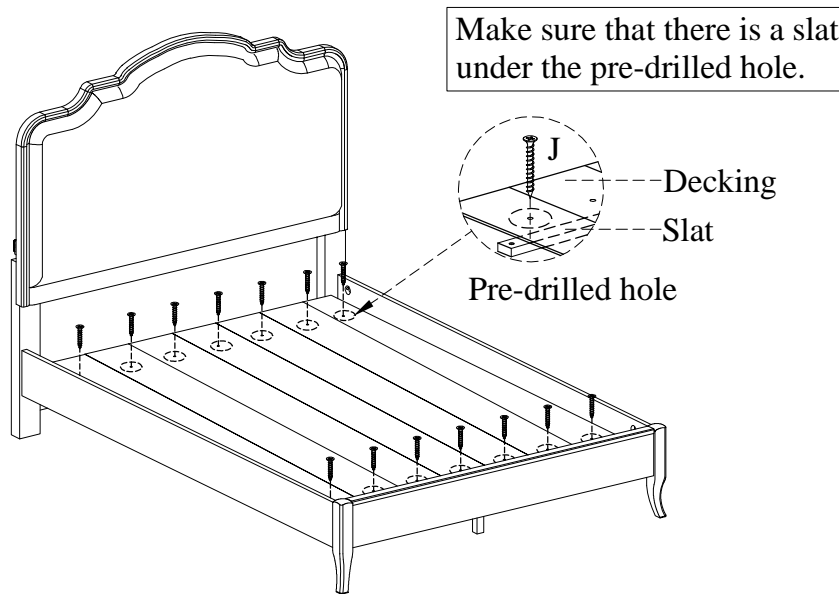
STEP 6: Arrange slats on the slat bearers and then lay the decking on top of the slats. Make sure the top and bottom slats are situated underneath the pre-drilled holes as shown in STEP 7. Remove the decking and attach slats to the slat bearers with wood screws (I).





ITEM NO: I222-525 Full Uph HB
I222-507 Full Low Profile FB
I222-514 Full Rails w/ Decking

STEP 7: Put the decking over the slats, secure decking to the slats with wood screws (J) through the pre-drilled holes in the decking as shown below.



FUNCTIONALITY INSTRUCTION

