

ITEM NO: I233-9140 End Table

Thank you for purchasing this quality product. Be sure to check all packing material carefully for small parts that may come loose inside the carton during shipment.



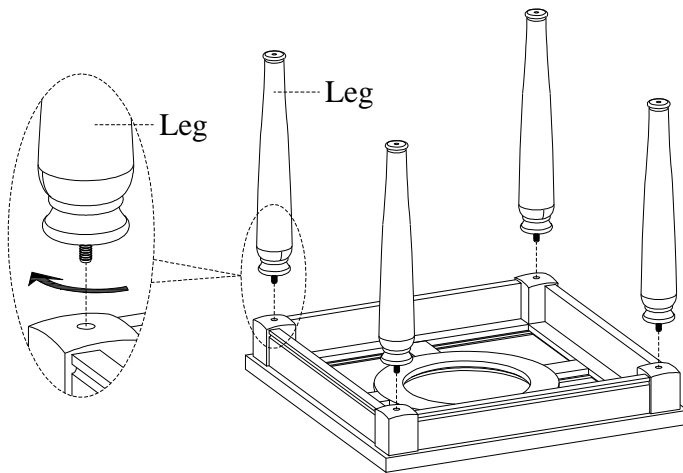
TOOLS REQUIRED (NOT PROVIDED)

PHILLIPS SCREWDRIVER

COMPONENTS LIST:

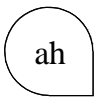
No.	Description	Sketch	Quantity
1	Table Top Assembly		1 PC
2	Beveled Glass		1 PC
3	Leg		4 PCS
4	Foot		4 PCS
5	Bottom Shelf		1 PC

STEP 1: Put the table top assembly face down on a soft surface. Attach the legs to table top assembly.



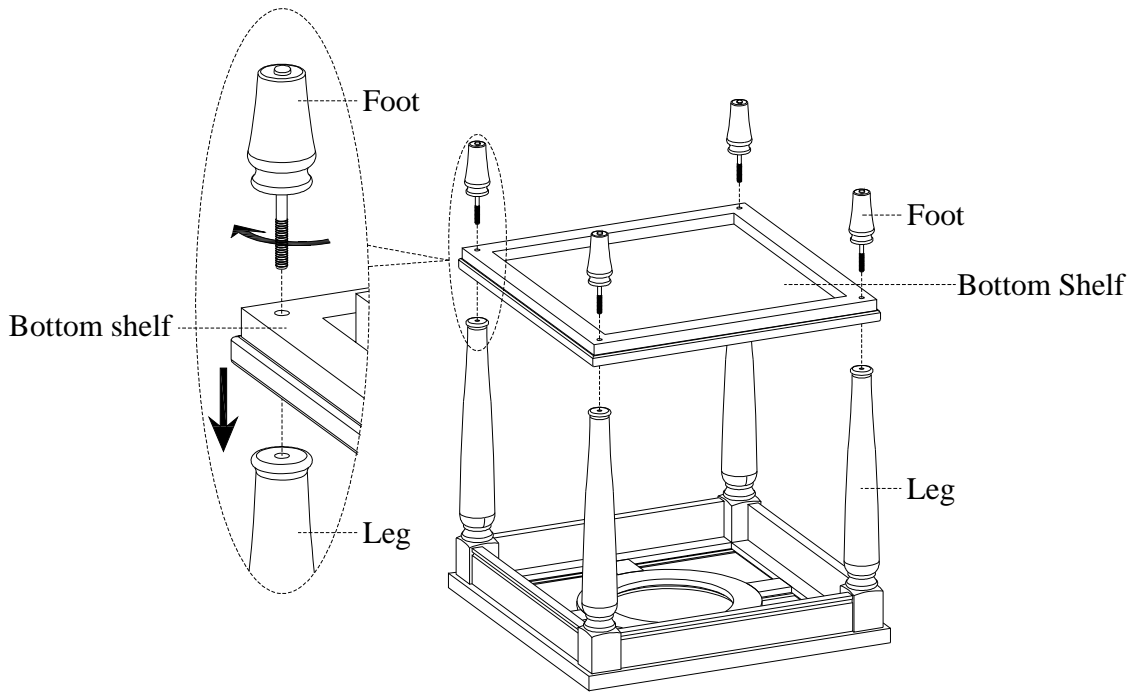
BEFORE USING THIS PRODUCT PLEASE READ, UNDERSTAND, AND FOLLOW THESE INSTRUCTIONS.
Save these instructions for future reference.

FOR INDOOR USE ONLY



ITEM NO: I233-9140 End Table

STEP 2: Attach the bottom shelf to the legs with foot. Turn the assembled table to the upright position.



STEP 3: Carefully and slowly place the beveled glass on the table top.

FUNCTIONALITY INSTRUCTION

