



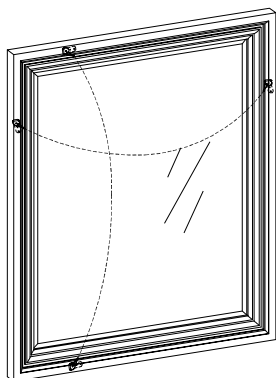
ITEM NO: I248-462-1/462-SLT-1

Landscape Mirror

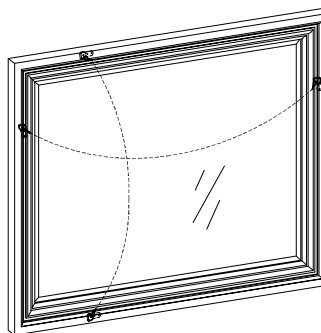
Thank you for purchasing this quality product. Be sure to check all packing material carefully for small parts that may come loose inside the carton during shipment.

### Option 1: Wall Mount

A (Portrait)



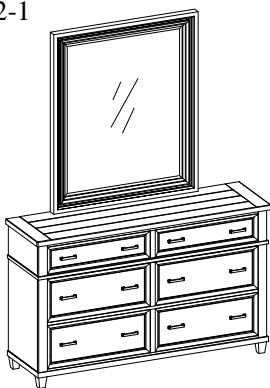
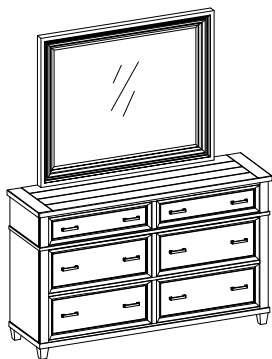
B (Landscape)



I248-462-1

### Option 2: Dresser Mount

I248-462-1



I248-453-1

#### HARDWARE LIST:

No.	Description	Sketch	Quantity
A	Bolt Ø1/4" x 1-1/4"		8 PCS
B	Lock Washer Ø1/4"		8 PCS
C	Flat Washer Ø1/4" x 3/4"		8 PCS
D	Allen Wrench 4mm		1 PC

#### TOOLS REQUIRED (NOT PROVIDED)

PHILLIPS SCREWDRIVER

#### COMPONENTS LIST:

No.	Description	Sketch	Quantity
1	Mirror		1 PC
2	Wood Strip		2 PCS

BEFORE USING THIS PRODUCT PLEASE READ, UNDERSTAND, AND FOLLOW THESE INSTRUCTIONS.  
Save these instructions for future reference.

FOR INDOOR USE ONLY



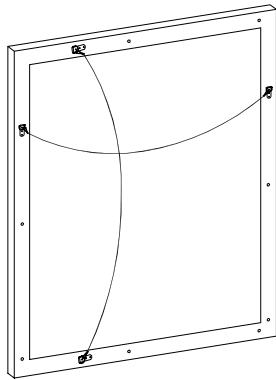
ITEM NO: I248-462-1/462-SLT-1

Landscape Mirror

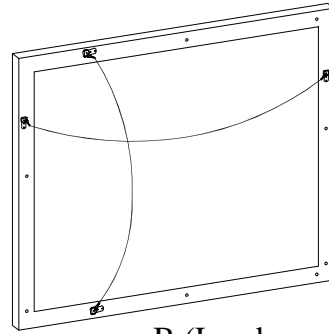
### FOR OPTION 1 (Wall Mount)

**STEP 1:** After attaching nail/hanger to wall, place wire over nail/hanger and slowly lower the mirror into place. Make sure the wire catches on the nail/hanger.

**Note:** Ensure the nail/hanger is in a wall stud or wall solid enough to support mirror.



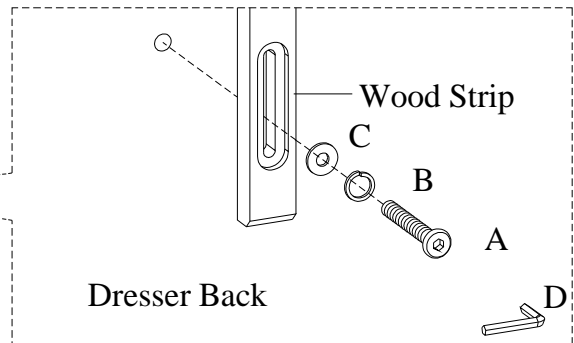
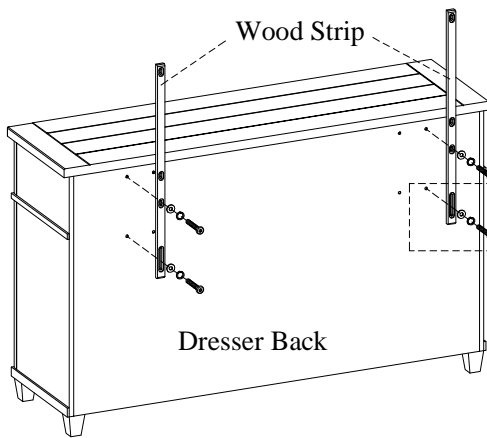
A (Portrait)



B (Landscape)

### FOR OPTION 2 (Dresser Mount)

**STEP 1:** Attach the wood strip to the dresser by using 4 bolts(A), lock washers(B), and flat washers(C). Do not tighten bolts completely.



**STEP 2:** Attach the wood strip to the mirror by using 4 bolts(A), lock washers(B), and flat washers(C). Tighten all bolts on dresser and mirror with Allen wrench.

