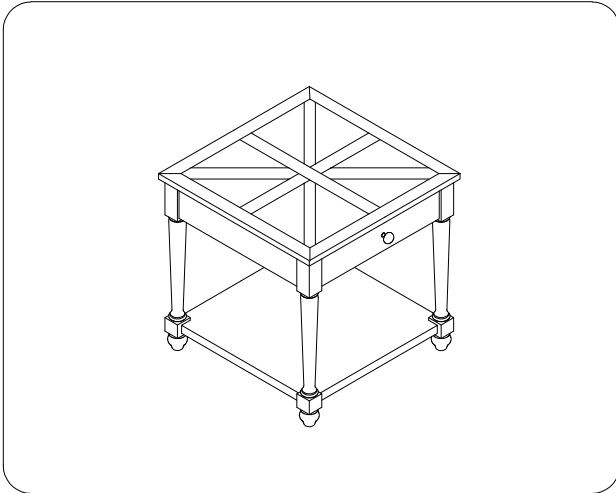




ITEM NO: I250-9140-COT/GWD End Table.

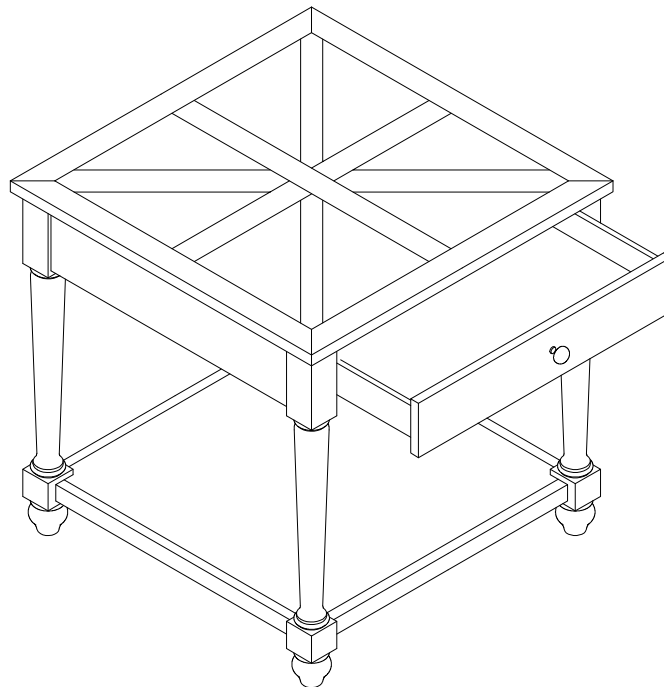
Thank you for purchasing this quality product. Be sure to check all packing material carefully for small parts that may come loose inside the carton during shipment.



| |
|-------------------------------|
| TOOLS REQUIRED (NOT PROVIDED) |
|-------------------------------|

| |
|----------------------|
| PHILLIPS SCREWDRIVER |
|----------------------|

FUNCTIONALITY INSTRUCTION



BEFORE USING THIS PRODUCT PLEASE READ, UNDERSTAND, AND FOLLOW THESE INSTRUCTIONS.
Save these instructions for future reference.

FOR INDOOR USE ONLY