

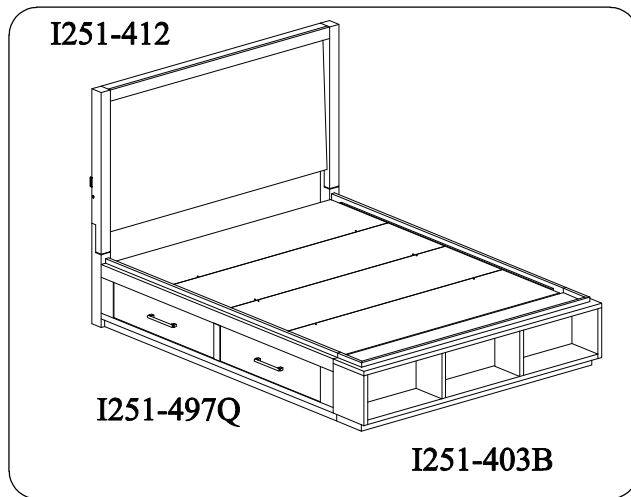


ITEM NO: I251-412 Queen Panel HB
 I251-403B Queen Bookcase FB
 I251-497Q Queen Storage Rails w/ Decking

Thank you for purchasing this quality product. Be sure to check all packing material carefully for small parts that may come loose inside the carton during shipment.



UNIT SHOULD BE INSTALLED BY 2 OR MORE PERSONS.



All Beds need to be set up in the exact final location so that after full assembly it will not need to be moved. Moving the bed will cause the support legs to move out of perpendicular (90 degree), weaken the support system, and may allow the bed to collapse.

TOOLS REQUIRED (NOT PROVIDED)
PHILLIPS SCREWDRIVER

HARDWARE LIST: I251-412			
No.	Description	Sketch	Quantity
A	Bolt Ø1/4" x 1-9/16"		4 PCS
B	Bolt Ø5/16" x 2-1/4"		6 PCS
C	Lock Washer Ø5/16"		10 PCS
D	Flat Washer Ø5/16"		10 PCS
E	Allen Wrench 4mm		1 PC

COMPONENTS LIST: I251-412			
No.	Description	Sketch	Quantity
1	Headboard		1 PC
2	Left Leg		1 PC
3	Right Leg		1 PC
4	Wood Stretcher		1 PC

HARDWARE LIST: I251-497Q			
No.	Description	Sketch	Quantity
F	Hanger Bolt Ø5/16" x 3-3/8"		8 PCS
G	Half Moon Washer 5/16"		8 PCS
H	Lock Washer Ø5/16"		8 PCS
I	Hex Nut Ø5/16"		8 PCS
J	Hex Wrench 12mm		1 PC
K	Wood Screw #8 x 1-1/4"		10 PCS
L	Wood Screw #8 x 3/4"		8 PCS

COMPONENTS LIST: I251-497Q			
No.	Description	Sketch	Quantity
1	Side storage rail		2 PCS
2	Slats		5 PCS
3	Decking		4 PCS

COMPONENTS LIST: I251-403B			
No.	Description	Sketch	Quantity
1	Footboard		1 PC

BEFORE USING THIS PRODUCT PLEASE READ, UNDERSTAND, AND FOLLOW THESE INSTRUCTIONS.
 Save these instructions for future reference.

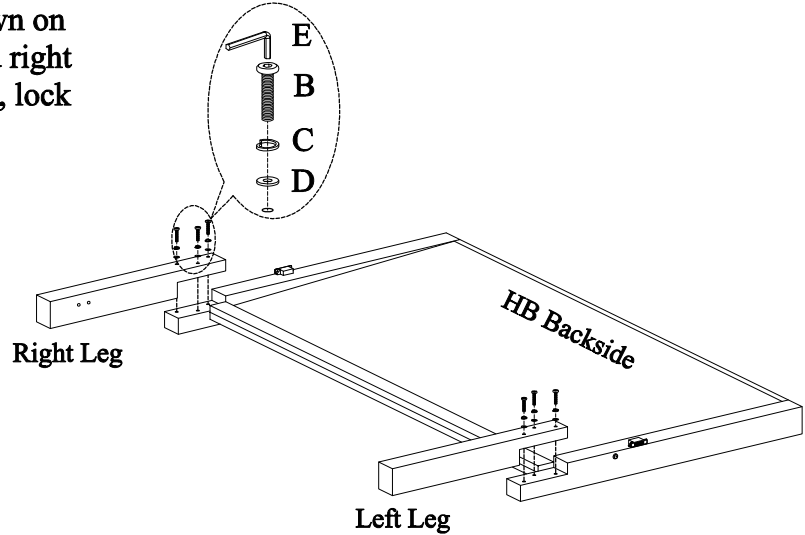
FOR INDOOR USE ONLY



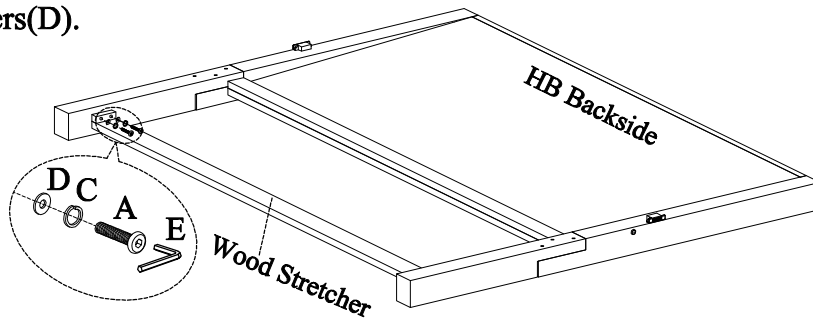
ITEM NO: I251-412
I251-403B
I251-497Q

Queen Panel HB
Queen Bookcase FB
Queen Storage Rails w/ Decking

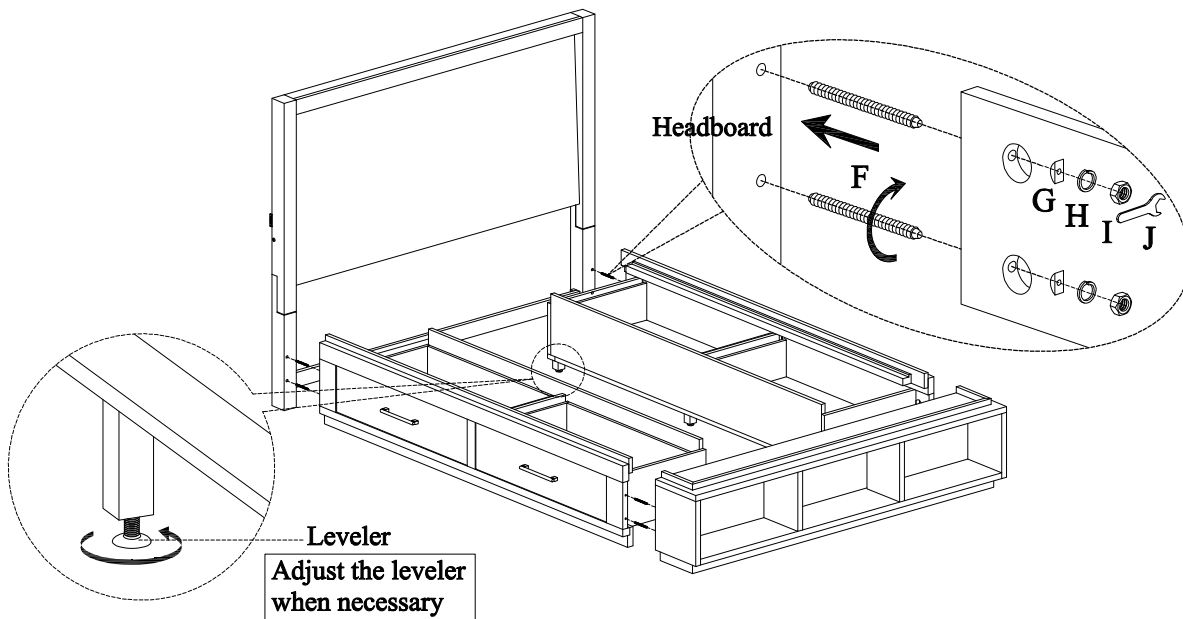
STEP 1: Lay the headboard face down on a soft surface. Attach the left leg and right leg to headboard by using 6 bolts(B), lock washers(C) and flat washers(D).



STEP 2: Attach the wood stretcher to the legs by using 4 bolts(A), lock washers(C) and flat washers(D).



STEP 3: Screw the bolts(F) into HB & FB. Align the bolts with the holes in the end of side storage rails and attach the side storage rails to HB & FB using half moon washers(G), lock washers(H) and nuts (I). Then use a hex wrench(J) to tighten all the nuts.

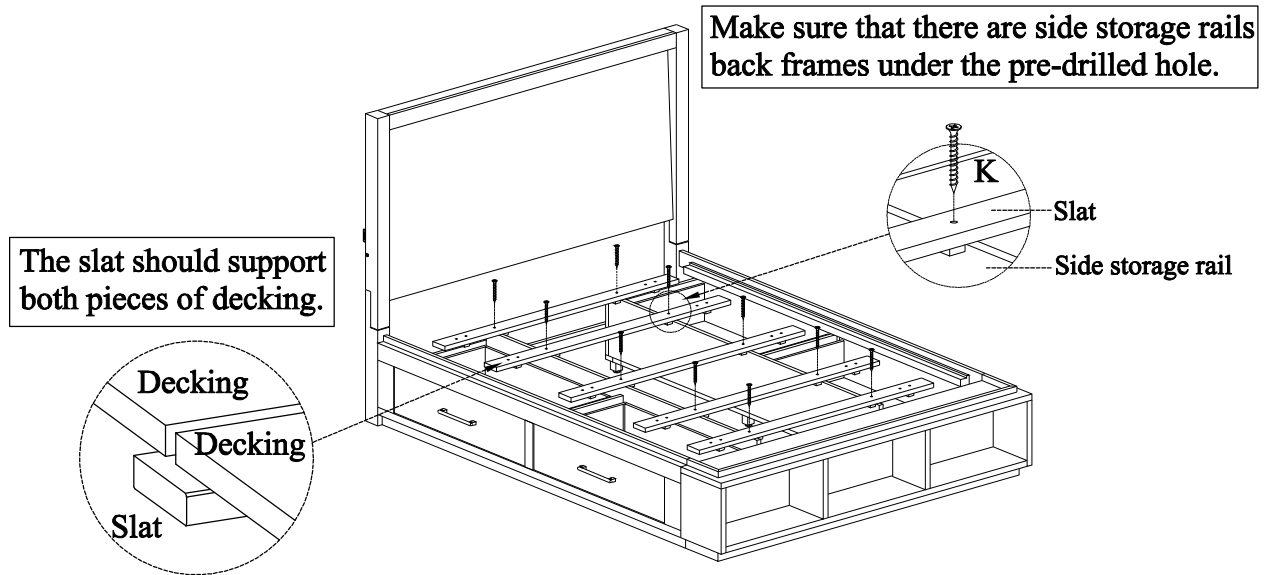




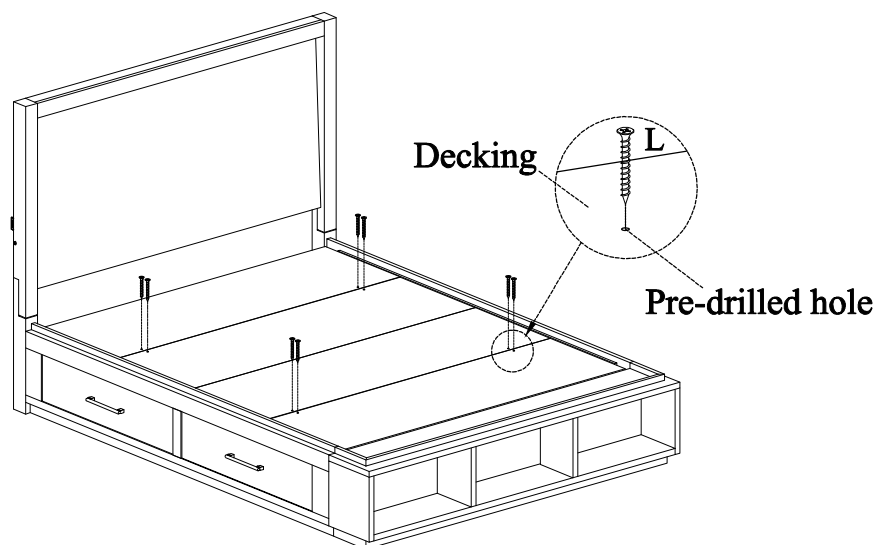
ITEM NO: I251-412
I251-403B
I251-497Q

Queen Panel HB
Queen Bookcase FB
Queen Storage Rails w/ Decking

STEP 4: Arrange slats on the side storage rails back frames and then lay the decking on top of the slats. Make sure the top and bottom slats are situated underneath the pre-drilled holes as shown below in STEP 5. Remove the decking and attach slats to the side storage rails with wood screws (K).



STEP 5: Put the decking over the slats, secure decking to the slats with wood screws (L) through the pre-drilled holes in the decking as shown below.

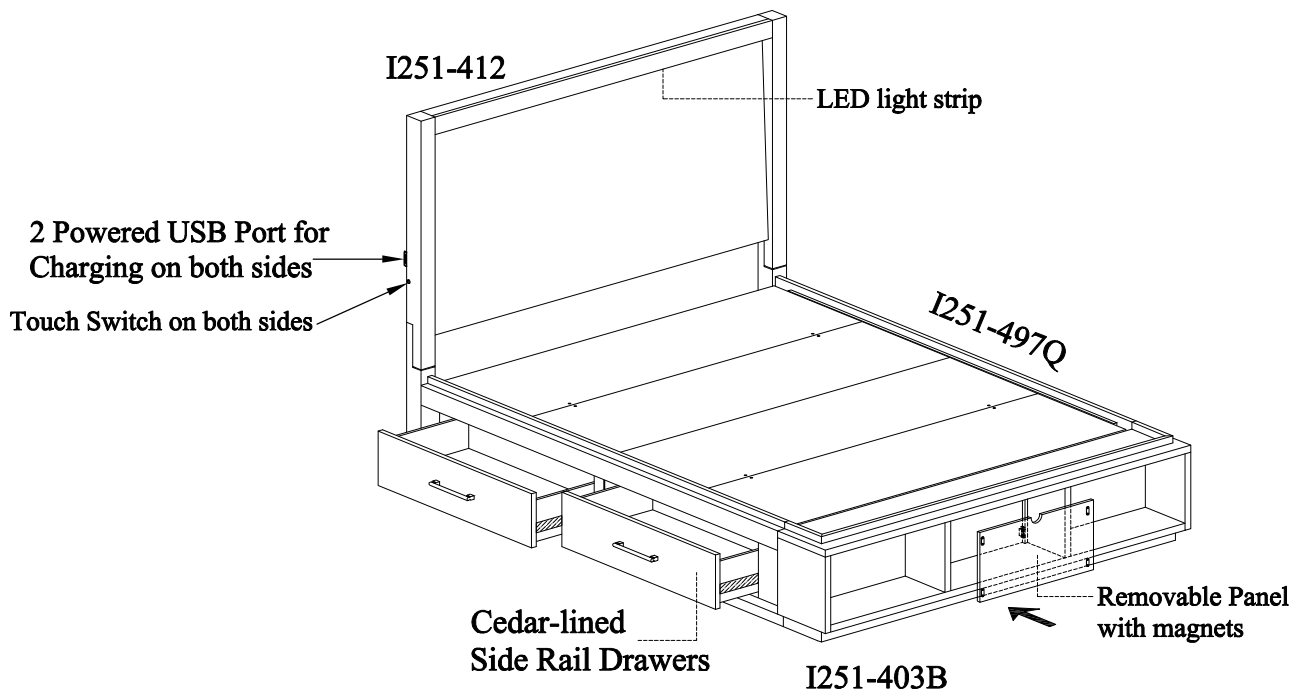




ITEM NO: I251-412
I251-403B
I251-497Q

Queen Panel HB
Queen Bookcase FB
Queen Storage Rails w/ Decking

FUNCTIONALITY INSTRUCTION



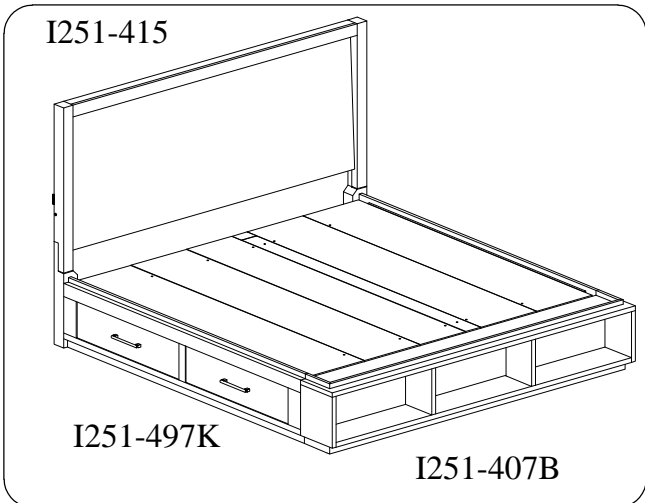


ITEM NO: I251-415 King Panel HB
 I251-407B King Bookcase FB
 I251-408B Cal King Bookcase FB
 I251-497K King/Cal King Storage Rails w/ Decking

Thank you for purchasing this quality product. Be sure to check all packing material carefully for small parts that may come loose inside the carton during shipment.

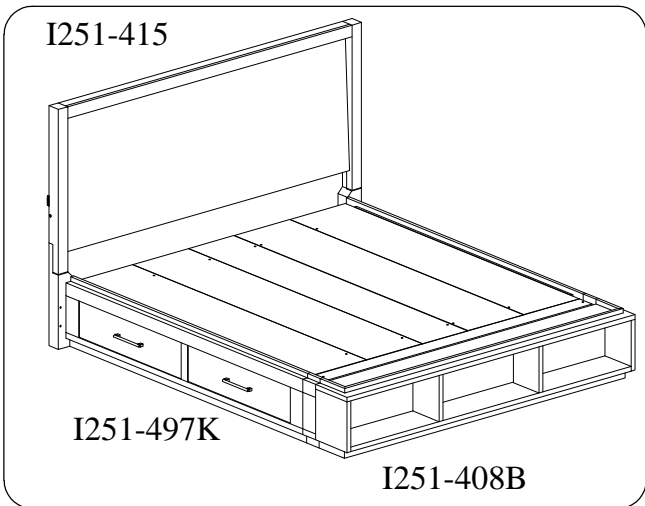


UNIT SHOULD BE INSTALLED BY 2 OR MORE PERSONS.



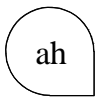
All Beds need to be set up in the exact final location so that after full assembly it will not need to be moved. Moving the bed will cause the support legs to move out of perpendicular (90 degree), weaken the support system, and may allow the bed to collapse.

TOOLS REQUIRED (NOT PROVIDED)
PHILLIPS SCREWDRIVER








BEFORE USING THIS PRODUCT PLEASE READ, UNDERSTAND, AND FOLLOW THESE INSTRUCTIONS.
 Save these instructions for future reference.

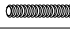


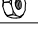
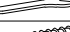
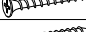
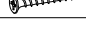
FOR INDOOR USE ONLY

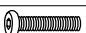



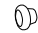
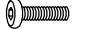





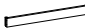
ITEM NO: I251-415
I251-407B
I251-408B
I251-497K





King Panel HB
King Bookcase FB
Cal King Bookcase FB
King/Cal King Storage Rails w/ Decking


HARDWARE LIST: I251-415			
No.	Description	Sketch	Quantity
A	Bolt Ø1/4" x 1-9/16"		4 PCS
B	Bolt Ø5/16" x 2-1/4"		6 PCS
C	Lock Washer Ø5/16"		10 PCS
D	Flat Washer Ø5/16"		10 PCS
E	Allen Wrench 4mm		1 PC





HARDWARE LIST: I251-497K			
No.	Description	Sketch	Quantity
F	Hanger Bolt Ø5/16" x 3-3/8"		8 PCS
G	Half Moon Washer 5/16"		8 PCS
H	Lock Washer Ø5/16"		8 PCS
I	Hex Nut Ø5/16"		8 PCS
J	Hex Wrench 12mm		1 PC
K	Wood Screw #8 x 1-1/4"		10 PCS
L	Wood Screw #8 x 3/4"		12 PCS

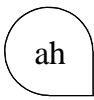
HARDWARE LIST: I251-408B			
No.	Description	Sketch	Quantity
M	Bolt Ø5/16" x 2-3/8"		8 PCS
N	Lock Washer Ø5/16"		12 PCS
O	Flat Washer Ø5/16" x 3/4"		12 PCS
P	Allen Wrench 4mm		1 PC
Q	Wood Cap		4 PCS
R	Bolt Ø1/4" x 1-1/2"		4 PCS

COMPONENTS LIST: I251-415			
No.	Description	Sketch	Quantity
1	Headboard		1 PC
2	Left Leg		1 PC
3	Right Leg		1 PC
4	Wood Stretcher		1 PC

COMPONENTS LIST: I251-497K			
No.	Description	Sketch	Quantity
1	Side storage rail		2 PCS
2	Slats		5 PCS
3	Decking		5 PCS
4	Filler		1 PC

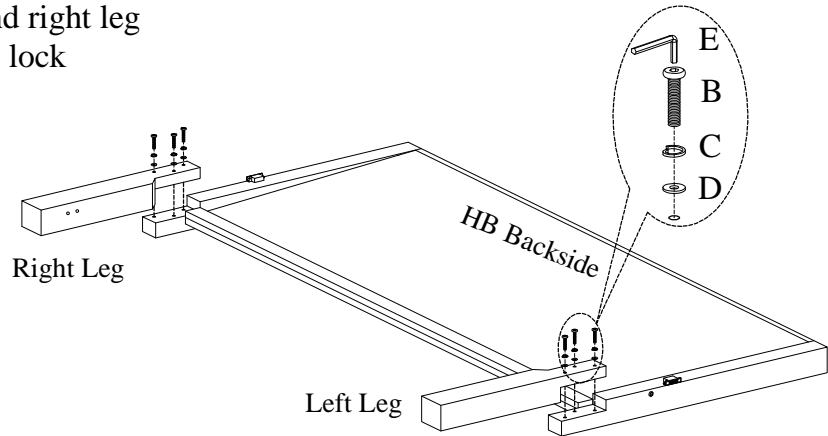
COMPONENTS LIST: I251-407B			
No.	Description	Sketch	Quantity
1	Footboard		1 PC

COMPONENTS LIST: I251-408B			
No.	Description	Sketch	Quantity
1	Footboard		1 PC
2	Cal king side ext kit (Left)		1 PC
3	Cal king side ext kit (Right)		1 PC
4	Wood block		2 PCS

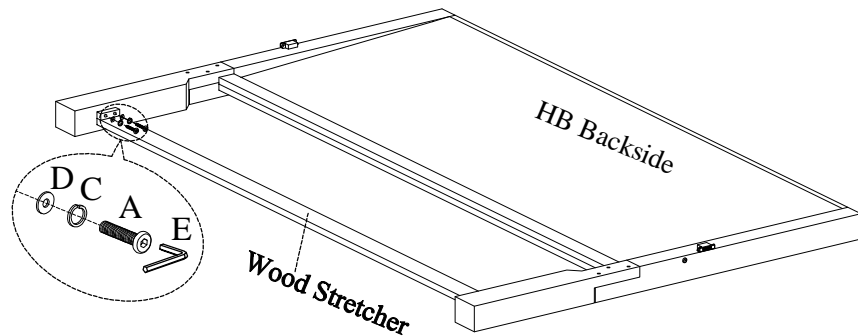


ITEM NO: I251-415 King Panel HB
 I251-407B King Bookcase FB
 I251-408B Cal King Bookcase FB
 I251-497K King/Cal King Storage Rails w/ Decking

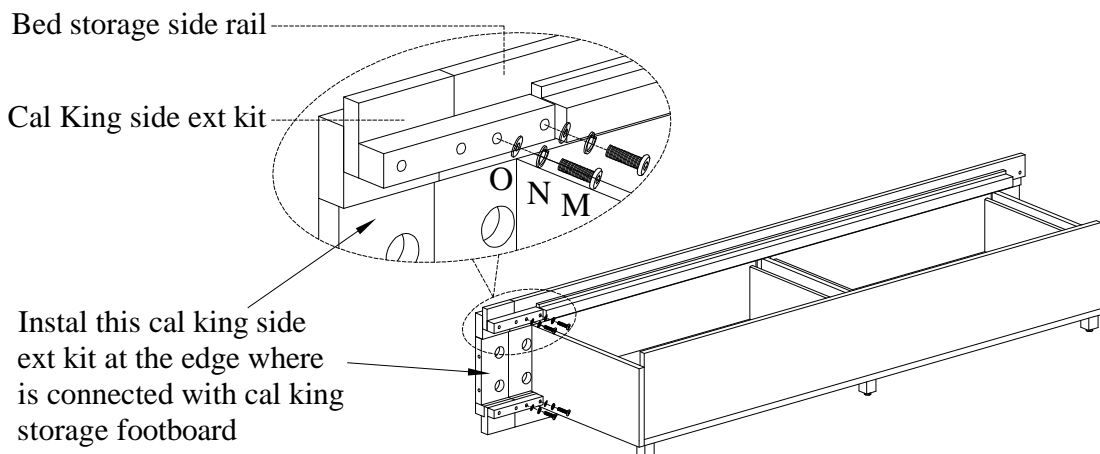
STEP 1: Lay the headboard face down on a soft surface. Attach the left leg and right leg to headboard by using 6 bolts(B), lock washers(C) and flat washers(D).

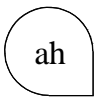


STEP 2: Attach the wood stretcher to the legs by using 4 bolts(A), lock washers(C) and flat washers(D).



STEP 3: For the Cal King bed: Attach the cal king side ext kit to bed storage side rails by using 8 bolts(M), lock washers(N) and flat washers(O). Then Use the Allen Wrench (P) to tighten all of the bolts. For the standard King bed, skip this step.

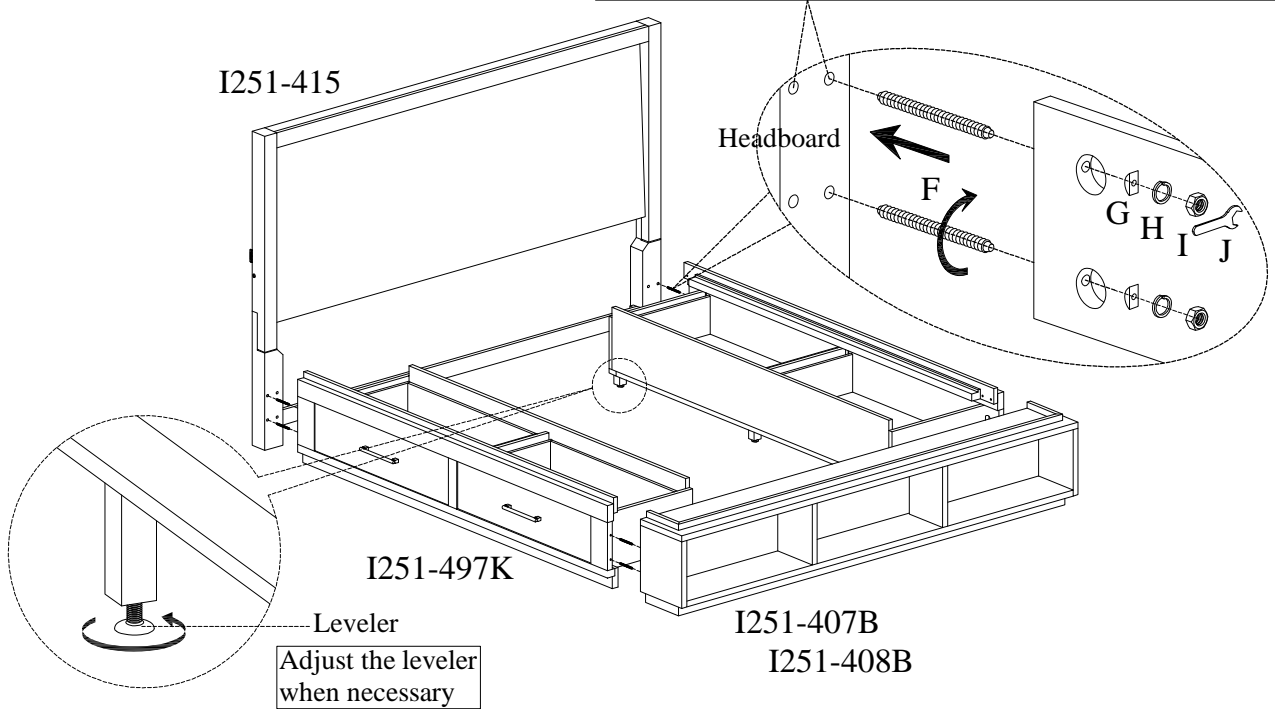




ITEM NO: I251-415	King Panel HB
I251-407B	King Bookcase FB
I251-408B	Cal King Bookcase FB
I251-497K	King/Cal King Storage Rails w/ Decking

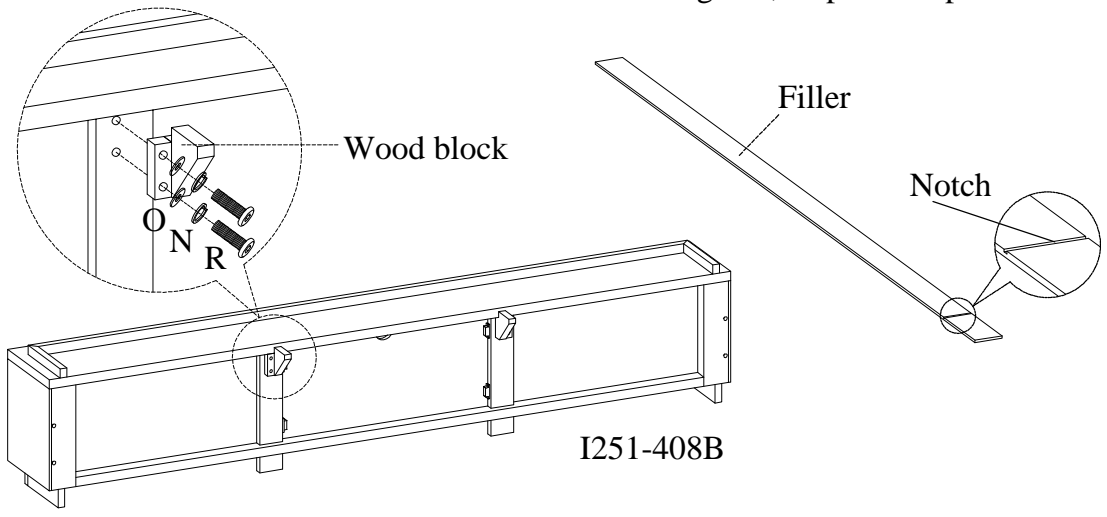
STEP 4: Screw the bolts(F) into HB & FB. Align the bolts with the holes in the end of side rails and attach the side rails to HB & FB using half moon washers(G), lock washers(H) and nuts (I). Then use a hex wrench(J) to tighten all the nuts.

The outside holes match to 6/6 standard king rails, the inside holes match to 6/0 Cal king bed rails.



STEP 5-1: For the Cal King bed: Attach the wood blocks to the cal king storage footboard by using 4 bolts(R), lock washers(N) and flat washers(O). Then Use the Allen Wrench (P) to tighten all of the bolts. For the standard King bed, skip this step.

STEP 5-2: For the cal King bed, small filler board is notched. Using a utility knife only cut off the small piece at the notch on one of the filler board. This cut off filler board will be placed at the end of the bed as shown in STEP 7-2. For the standard king bed, skip this step.



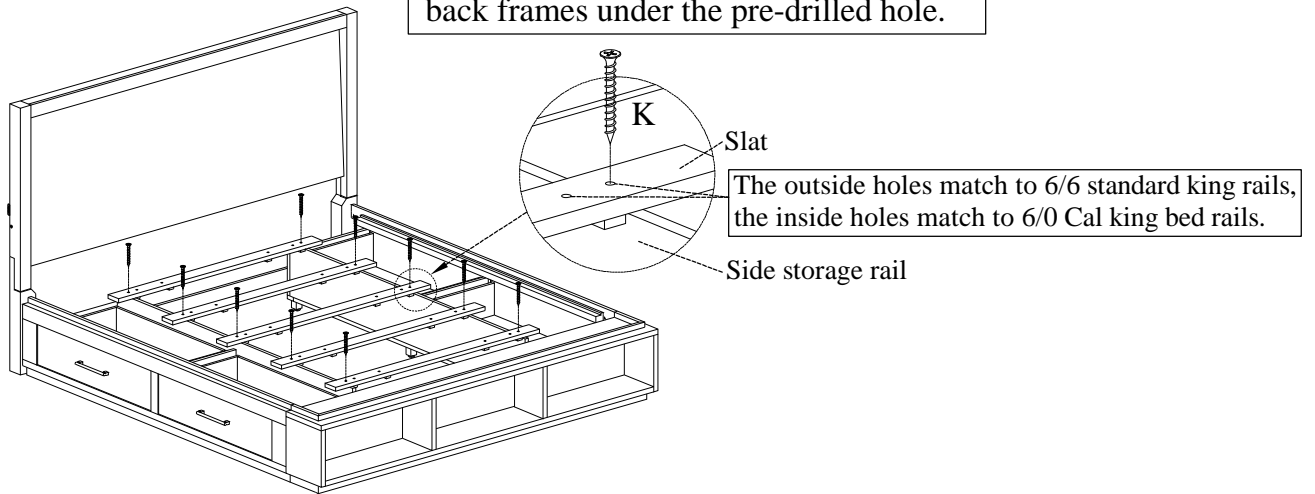


ITEM NO: I251-415
 I251-407B
 I251-408B
 I251-497K

King Panel HB
 King Bookcase FB
 Cal King Bookcase FB
 King/Cal King Storage Rails w/ Decking

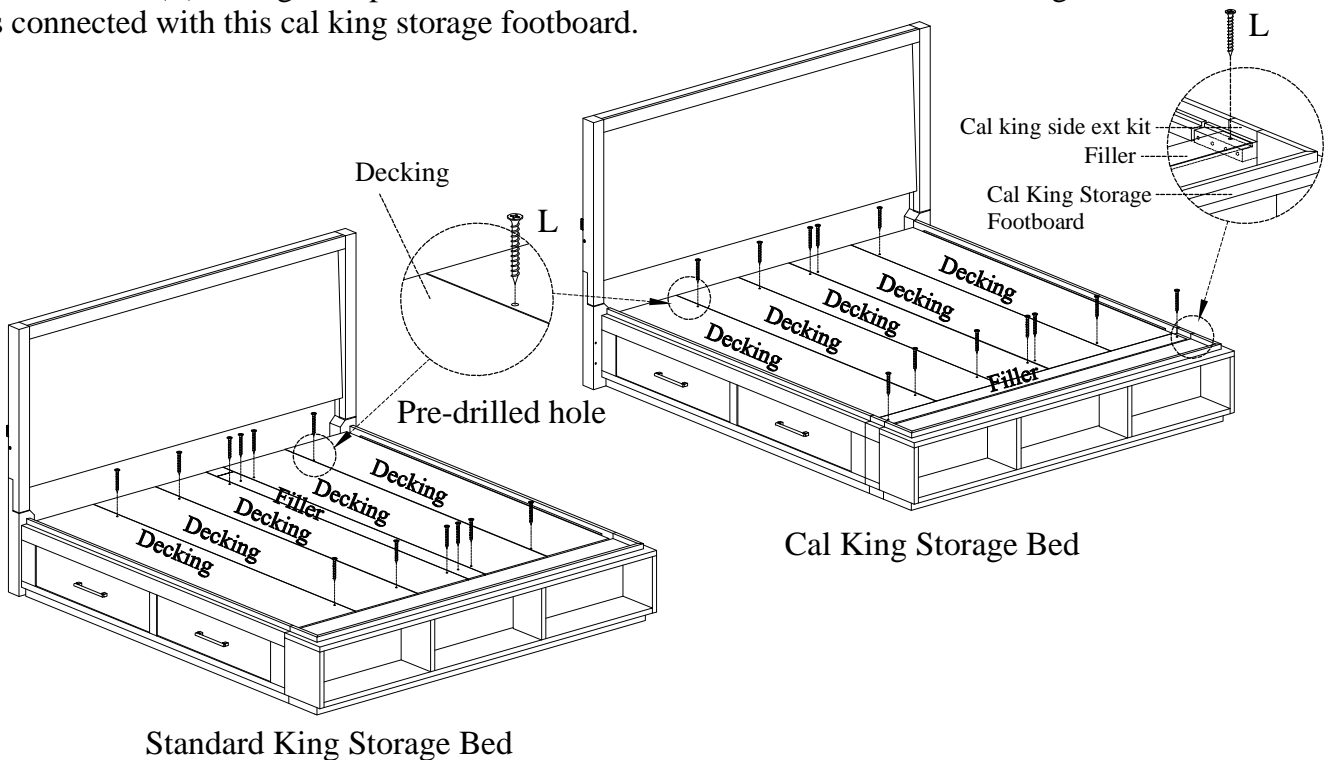
STEP 6: Arrange slats on the side storage rails back frames and then lay the deckings on top of the slats. Make sure the top and bottom slats are situated underneath the pre-drilled holes as shown below in STEP 7. Remove the decking and attach slats to the side storage rails with wood screws (K).

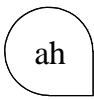
Make sure that there are side storage rails back frames under the pre-drilled hole.



STEP 7-1: Put the decking over the slats, secure decking to the slats with wood screws (L) through the pre-drilled holes in the decking as shown below.

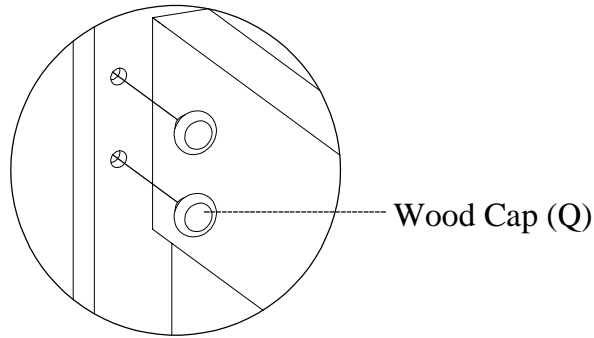
STEP 7-2: For the cal King bed, secure filler to the cal king side ext kits(left & right) with wood screws(L) through the pre-drilled holes in the filler. Make sure the cal king side ext kit is connected with this cal king storage footboard.





ITEM NO: I251-415 King Panel HB
 I251-407B King Bookcase FB
 I251-408B Cal King Bookcase FB
 I251-497K King/Cal King Storage Rails w/ Decking

STEP 8: For Cal King bed, insert wood caps into the holes on headboard.
 For regular King bed, skip this step.



FUNCTIONALITY INSTRUCTION

