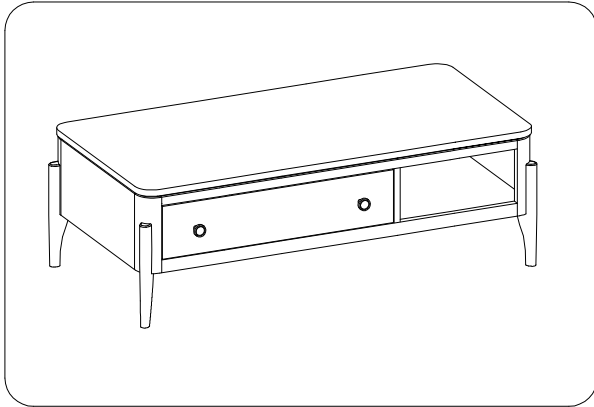











ITEM NO: I256-9100 Cocktail Table

Thank you for purchasing this quality product. Be sure to check all packing material carefully for small parts that may come loose inside the carton during shipment.

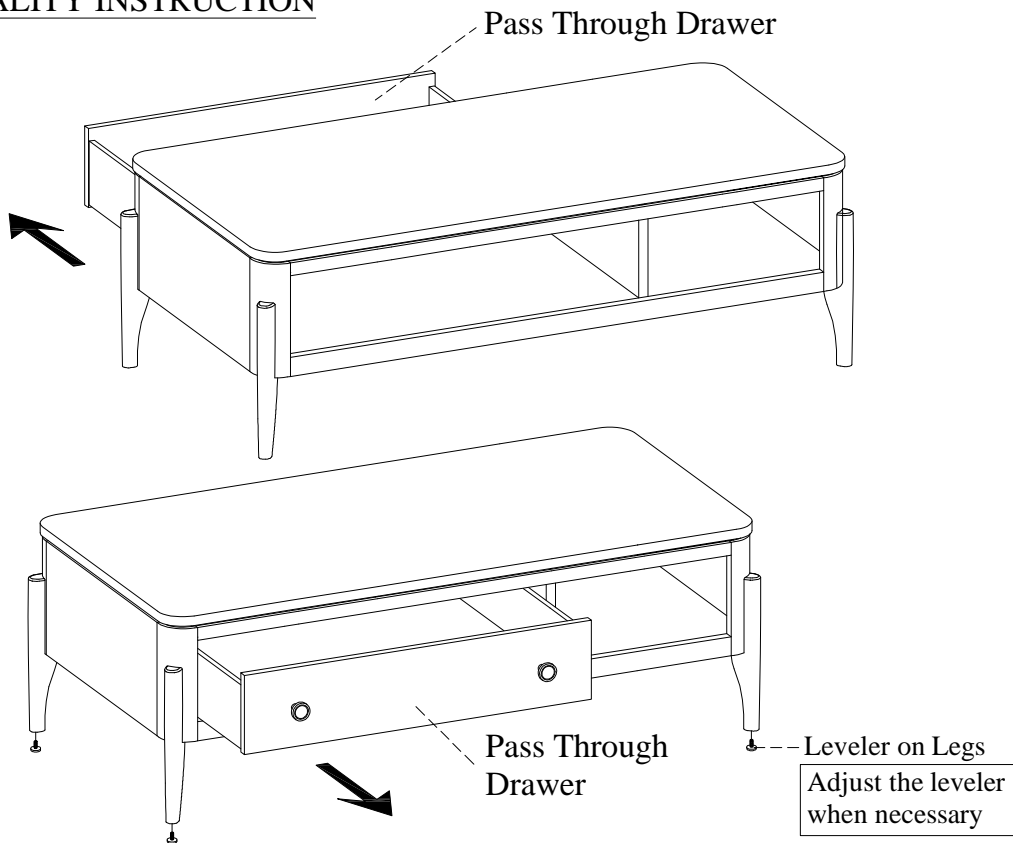


TOOLS REQUIRED (NOT PROVIDED)
PHILLIPS SCREWDRIVER 

HARDWARE LIST:			
No.	Description	Sketch	Quantity
A	Bolt Ø5/16" x 1-1/2"		4 PCS
B	Lock Washer Ø5/16"		4 PCS
C	Flat Washer Ø5/16" x 7/8"		4 PCS
D	Allen Wrench 4mm		1 PC

COMPONENTS LIST:			
No.	Description	Sketch	Quantity
1	Case		1 PC
2	Metal Leg		4 PCS

FUNCTIONALITY INSTRUCTION



BEFORE USING THIS PRODUCT PLEASE READ, UNDERSTAND, AND FOLLOW THESE INSTRUCTIONS. Save these instructions for future reference.

FOR INDOOR USE ONLY

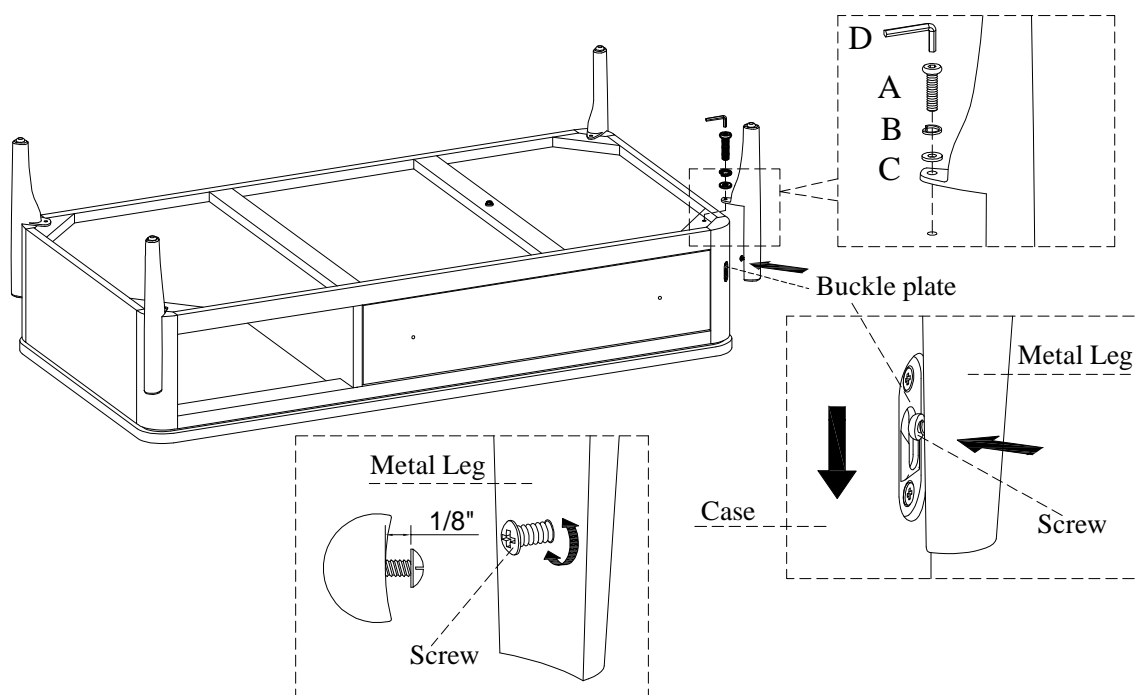


ITEM NO: I256-9100 Cocktail Table

STEP 1: Put the case upside down on a soft surface.

STEP 2: Each metal leg will come with screw pre-installed with a 1/8" lag as shown below.

Adjust as needed to ensure the 1/8" lag. Insert the screw on each metal leg into the buckle plate on the case and push it down to the suitable position. Attach the metal legs by using 4 bolts (A), lock washers (B) and flat washers (C). Use the allen wrench (D) to tighten the all bolts. If the leg is loose in the buckle plate, the leg should be removed and the screw adjusted as needed. Once legs are all secure, return the case to the upright position.



STEP 3: Reverse each knob by removing the screws while the drawer is open and attach all knobs to the front of the drawer with screws as shown below.

