

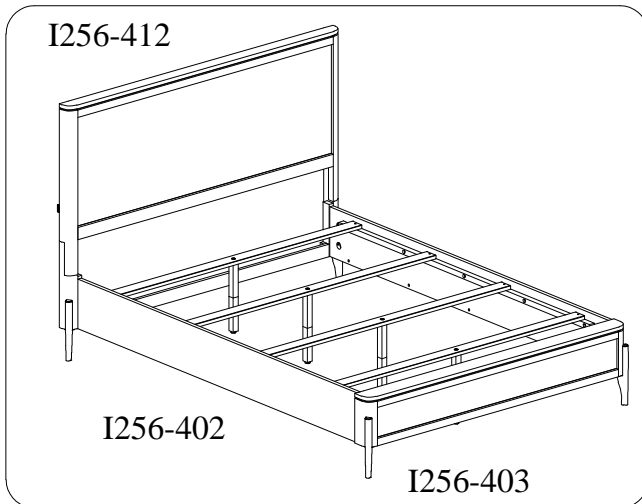


ITEM NO: I256-412      Queen Panel HB  
 I256-402              Queen Rails  
 I256-403              Queen Low Profile FB

Thank you for purchasing this quality product. Be sure to check all packing material carefully for small parts that may come loose inside the carton during shipment.



**UNIT SHOULD BE INSTALLED BY 2 OR MORE PERSONS.**



All Beds need to be set up in the exact final location so that after full assembly it will not need to be moved. Moving the bed will cause the support legs to move out of perpendicular (90 degree), weaken the support system, and may allow the bed to collapse.

TOOLS REQUIRED (NOT PROVIDED)
PHILLIPS SCREWDRIVER

HARDWARE LIST: I256-412			
No.	Description	Sketch	Quantity
A	Bolt Ø5/16" x 1-1/2"		4 PCS
B	Bolt Ø5/16" x 2-1/4"		6 PCS
C	Lock Washer Ø5/16"		10 PCS
D	Flat Washer Ø5/16" x 7/8"		10 PCS
E	Allen Wrench 4mm		1 PC

COMPONENTS LIST: I256-412			
No.	Description	Sketch	Quantity
1	Headboard		1 PC
2	Left Leg		1 PC
3	Right Leg		1 PC
4	Metal Leg		2 PCS
5	Wood Stretcher		1 PC

HARDWARE LIST: I256-402			
No.	Description	Sketch	Quantity
F	Hanger Bolt Ø5/16" x 4-1/2"		8 PCS
G	Half Moon Washer Ø5/16"		8 PCS
H	Hex Nut Ø5/16"		8 PCS
I	Hex Wrench 12mm		1 PC
J	Wood Screw M4 x 1-1/4"		8 PCS

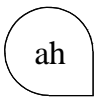
COMPONENTS LIST: I256-402			
No.	Description	Sketch	Quantity
1	Bed rails		2 PCS
2	Slats		4 PCS

HARDWARE LIST: I256-403			
No.	Description	Sketch	Quantity
K	Bolt Ø5/16" x 1-1/2"		2 PCS
L	Lock Washer Ø5/16"		2 PCS
M	Flat Washer Ø5/16" x 7/8"		2 PCS
N	Allen Wrench 4mm		1 PC

COMPONENTS LIST: I256-403			
No.	Description	Sketch	Quantity
1	Footboard		1 PC
2	Metal Leg		2 PCS
3	Support Leg (for slat)		4 PCS

BEFORE USING THIS PRODUCT PLEASE READ, UNDERSTAND, AND FOLLOW THESE INSTRUCTIONS. Save these instructions for future reference.

FOR INDOOR USE ONLY

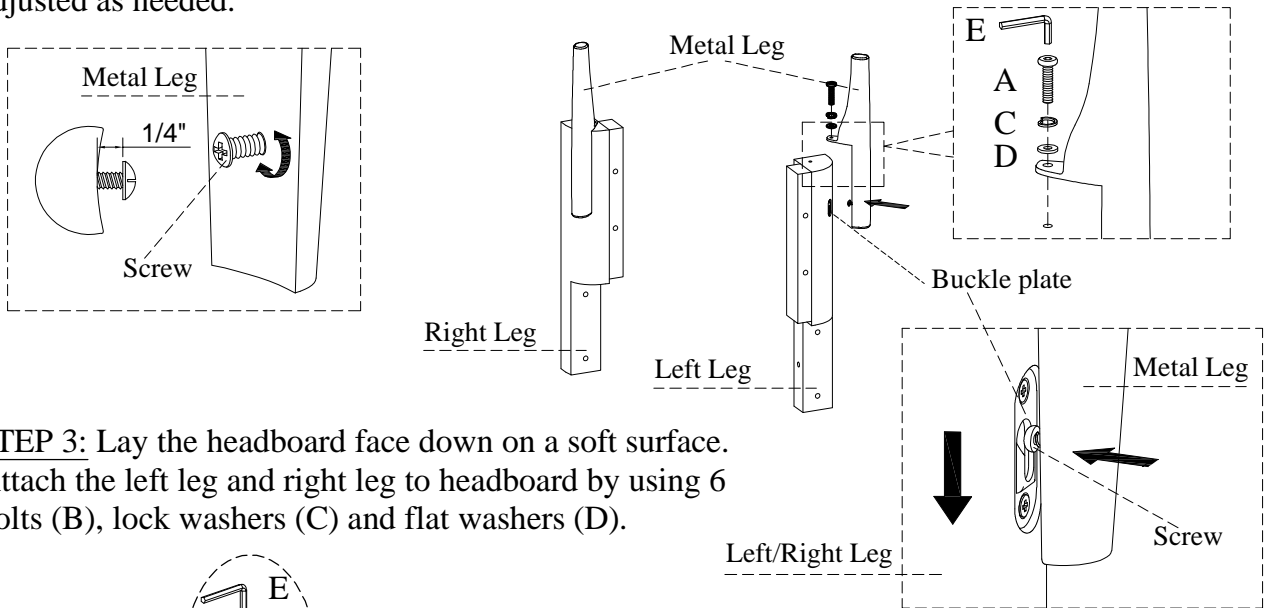


ITEM NO: I256-412      Queen Panel HB  
 I256-402      Queen Rails  
 I256-403      Queen Low Profile FB

**STEP 1:** Put the left leg and right leg upside down on a soft surface.

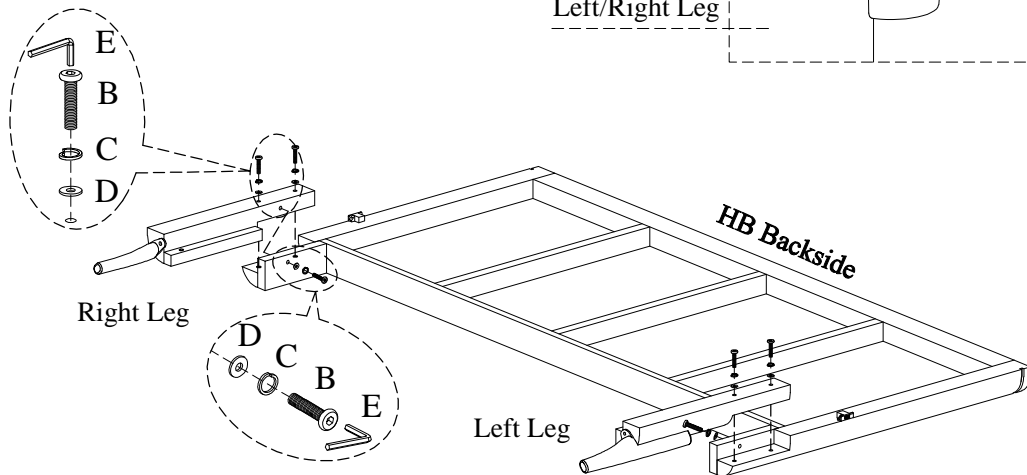
**STEP 2:** Each metal leg will come with screw pre-installed with a 1/4" lag as shown below.

Adjust as needed to ensure the 1/4" lag. Insert the screw on each metal leg into the buckle plate on the left leg and right leg and push it down to the suitable position. Attach the metal legs by using 2 bolts (A), lock washers (C) and flat washers (D). Use the allen wrench (E) to tighten the two bolts. If the leg is loose in the buckle plate, the leg should be removed and the screw adjusted as needed.

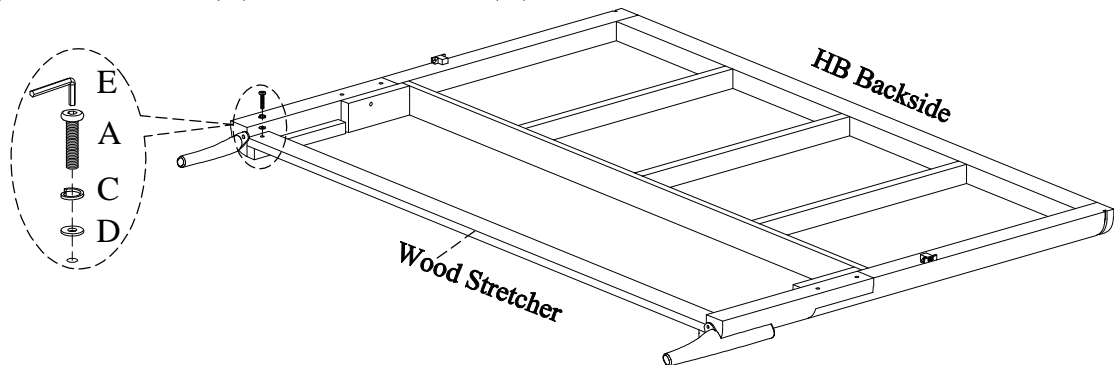


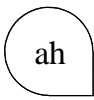
**STEP 3:** Lay the headboard face down on a soft surface.

Attach the left leg and right leg to headboard by using 6 bolts (B), lock washers (C) and flat washers (D).



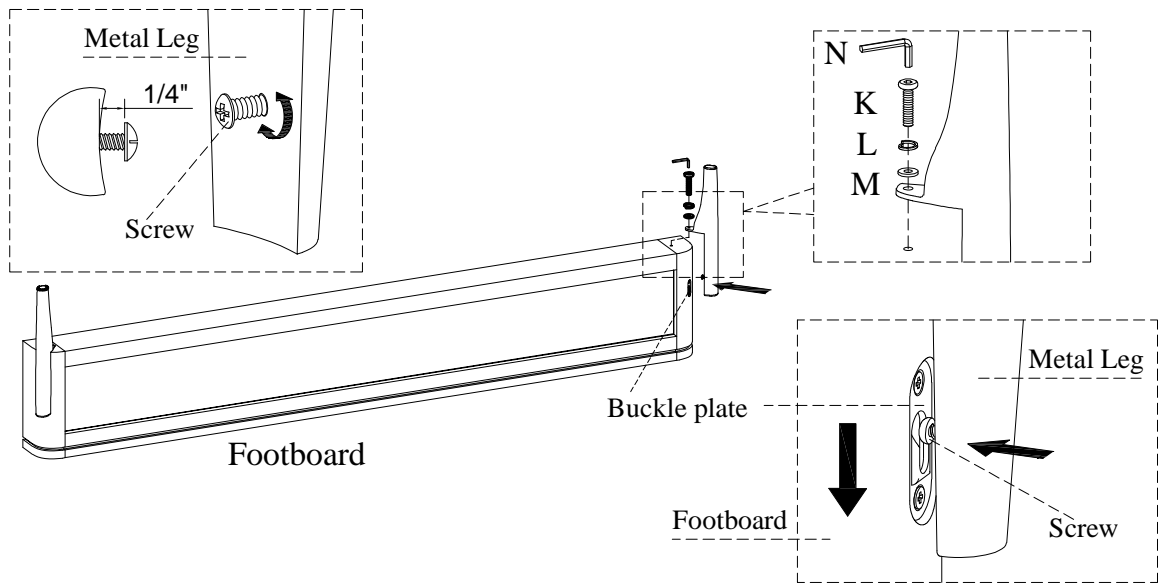
**STEP 4:** Attach the wood stretcher to the legs by using 2 bolts (A), lock washers (C) and flat washers (D).





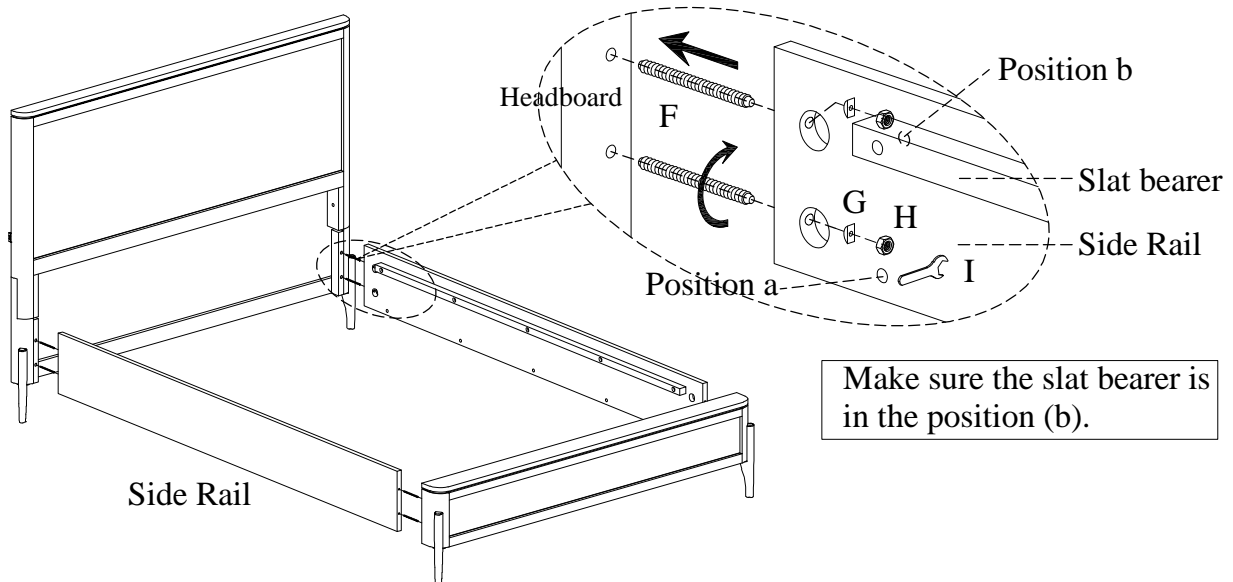
ITEM NO: I256-412    Queen Panel HB  
 I256-402    Queen Rails  
 I256-403    Queen Low Profile FB

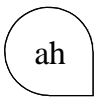
**STEP 5:** Put the footboard upside down on a soft surface. Each metal leg will come with screw pre-installed with a 1/4" lag as shown below. Adjust as needed to ensure the 1/4" lag. Insert the screw on each metal leg into the buckle plate on the footboard and push it down to the suitable position. Attach the metal legs by using 2 bolts (K), lock washers (L) and flat washers (M). Use the allen wrench (N) to tighten the two bolts. If the leg is loose in the buckle plate, the leg should be removed and the screw adjusted as needed.



**OPTION 1:** The side rails may be used on either side. Arrange the side rails so the slat bearers are in UPPER POSITION prior to attachment in STEP 6.

**STEP 6:** Screw the bolts(F) into HB & FB. Make sure the slat bearer is in the position (b). Align the bolts with the holes in the end of side rails and attach the side rails to HB & FB using half moon washers(G) and nuts(H). Then use a hex wrench(I) to tighten all the nuts.

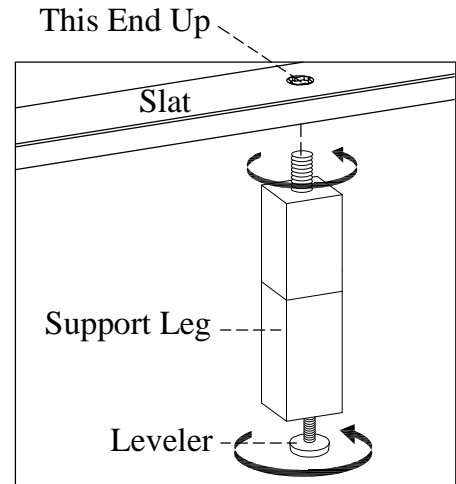
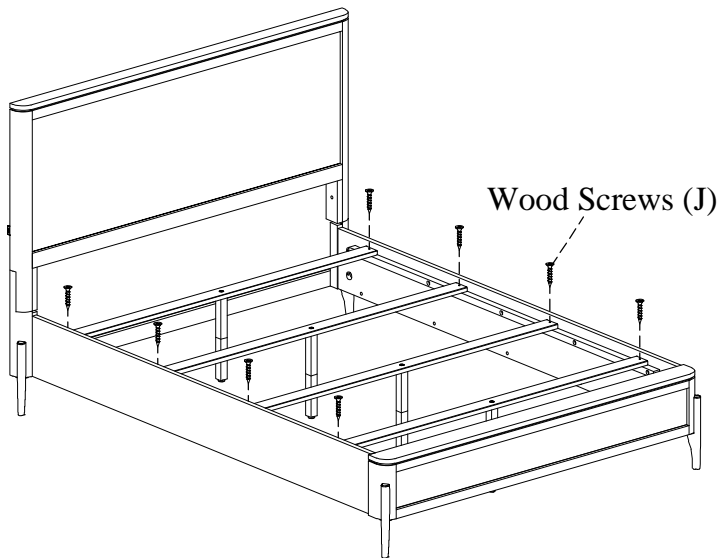




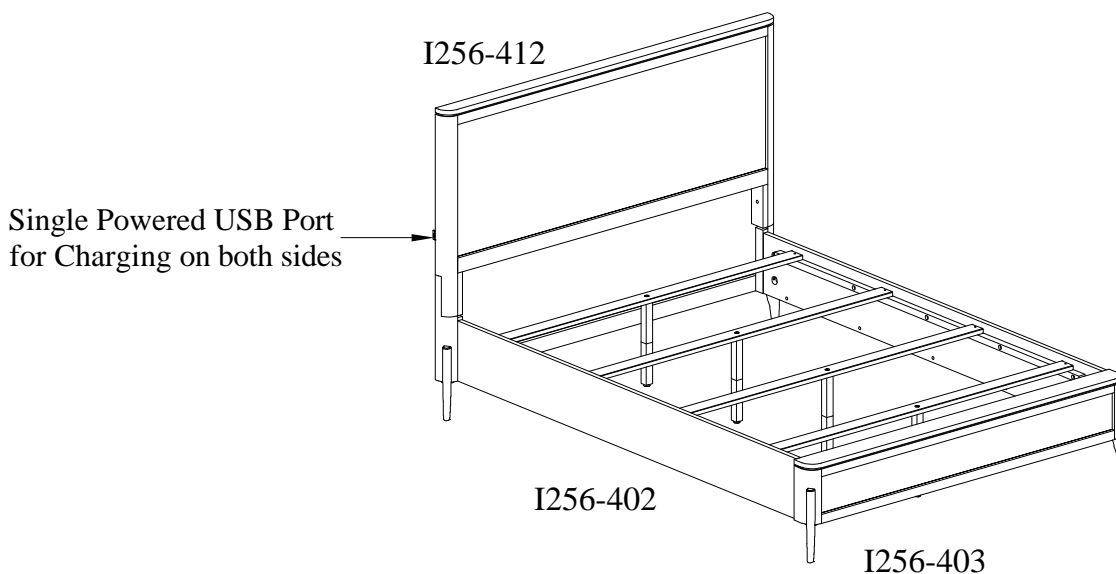
ITEM NO: I256-412      Queen Panel HB  
                  I256-402      Queen Rails  
                  I256-403      Queen Low Profile FB

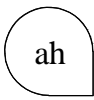
**STEP 7:** Attach the support legs with leveler to the slats.  
Adjust the levelers on bottom of support legs when necessary.

**STEP 8:** Arrange the slats on the slat bearers equally and  
attach to the slat bearers with wood screws (J).



### FUNCTIONALITY INSTRUCTION



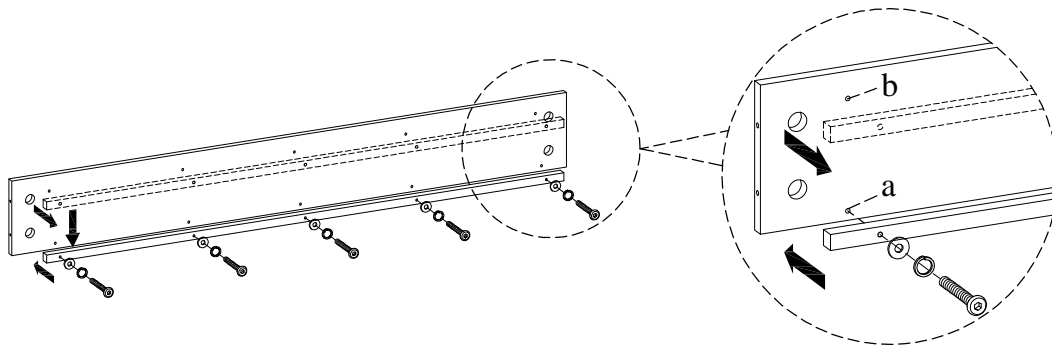


ITEM NO: I256-412      Queen Panel HB  
 I256-402              Queen Rails  
 I256-403              Queen Low Profile FB

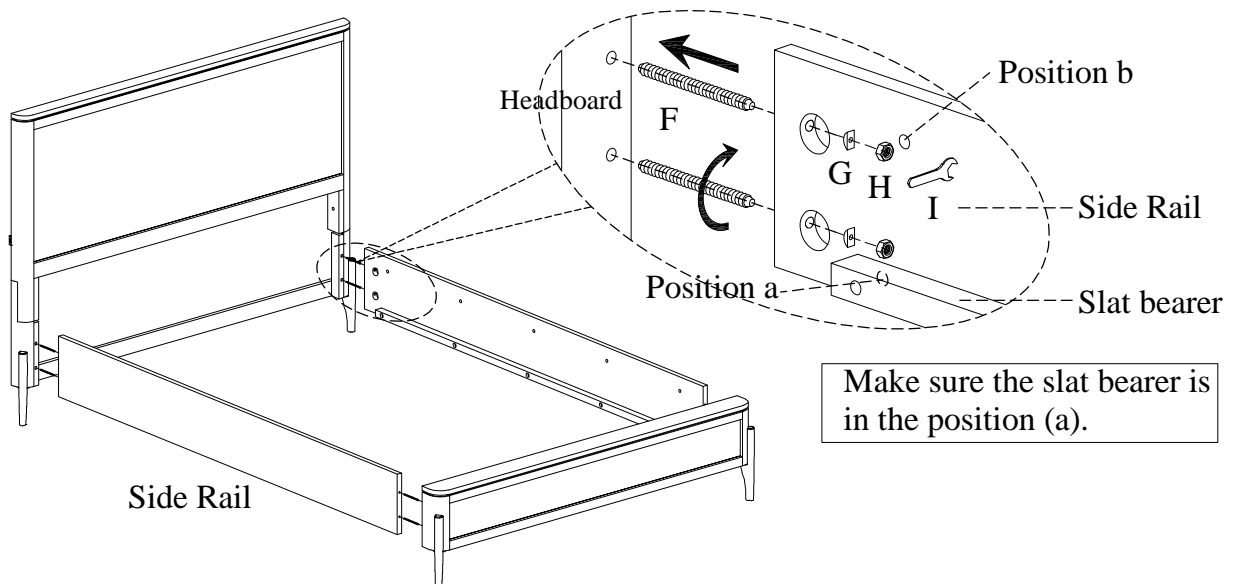
**OPTION 2:** The side rails may be used on either side. Arrange the side rails so the slat bearers are in LOWER POSITION prior to attachment in STEP 7.

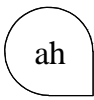
**STEP 6:** The slat bearers have been attached in position (b) approximately 2" from the top of the side rails for use with a storage footboard. The slat bearers must be moved into position (a) based on this bed configuration. Remove the bolts from the slat bearers and side rails as shown below. Then re-attach the slat bearers to the side rails in position (a) with bolts, lock washers, flat washers.

**Caution: Do not over tighten bolts as this may loosen the threaded inserts in the side rails.**



**STEP 7:** Screw the bolts(F) into HB & FB. Make sure the slat bearer is in the position (a). Align the bolts with the holes in the end of side rails and attach the side rails to HB & FB using half moon washers(G) and nuts(H). Then use a hex wrench(I) to tighten all the nuts.

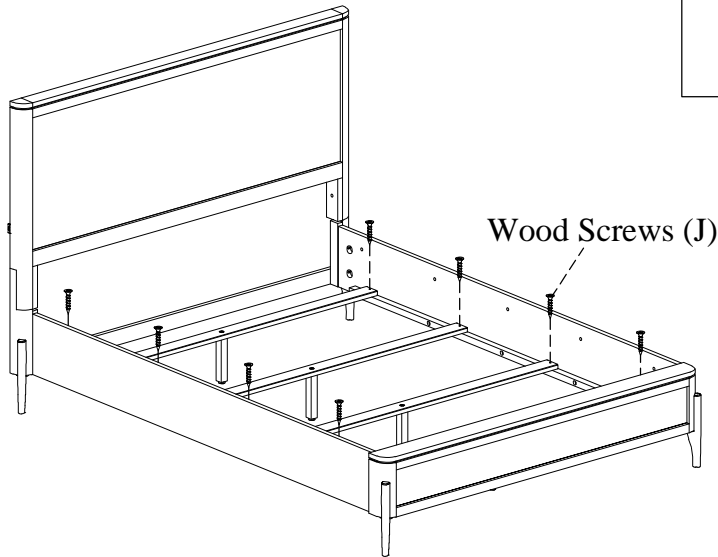
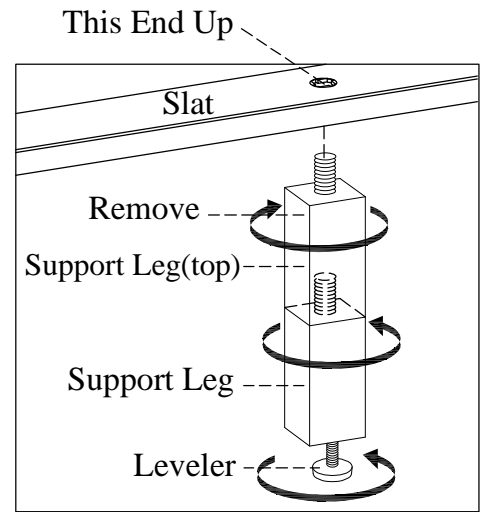




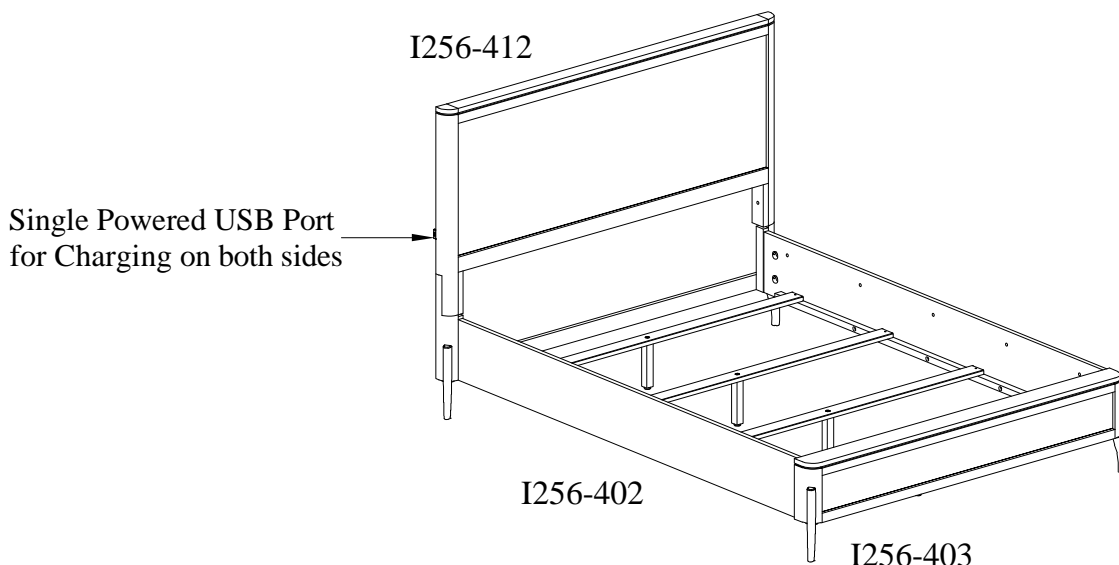
ITEM NO: I256-412      Queen Panel HB  
 I256-402              Queen Rails  
 I256-403              Queen Low Profile FB

**STEP 8:** Remove the support legs (top) as shown in the picture to the right. Attach the support legs with leveler to the slats. Adjust the levelers on bottom of support legs when necessary.

**STEP 9:** Arrange the slats on the slat bearers equally and attach to the slat bearers with wood screws (J).



### FUNCTIONALITY INSTRUCTION



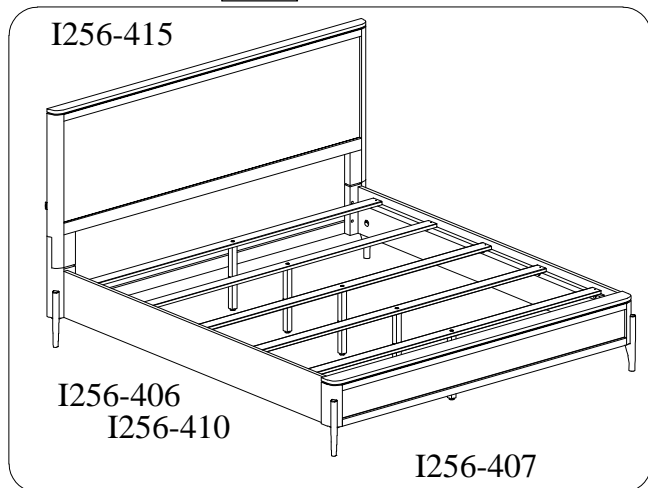


ITEM NO: I256-415 King Panel HB  
 I256-406 King Rails  
 I256-410 Cal King Rails  
 I256-407 King Low Profile FB

Thank you for purchasing this quality product. Be sure to check all packing material carefully for small parts that may come loose inside the carton during shipment.



**UNIT SHOULD BE INSTALLED BY 2 OR MORE PERSONS.**



All Beds need to be set up in the exact final location so that after full assembly it will not need to be moved. Moving the bed will cause the support legs to move out of perpendicular (90 degree), weaken the support system, and may allow the bed to collapse.

TOOLS REQUIRED (NOT PROVIDED)
PHILLIPS SCREWDRIVER

HARDWARE LIST: I256-415			
No.	Description	Sketch	Quantity
A	Bolt Ø5/16" x 1-1/2"		4 PCS
B	Bolt Ø5/16" x 2-1/4"		6 PCS
C	Lock Washer Ø5/16"		10 PCS
D	Flat Washer Ø5/16" x 7/8"		10 PCS
E	Allen Wrench 4mm		1 PC

COMPONENTS LIST: I256-415			
No.	Description	Sketch	Quantity
1	Headboard		1 PC
2	Left Leg		1 PC
3	Right Leg		1 PC
4	Metal Leg		2 PCS
5	Wood Stretcher		1 PC

HARDWARE LIST: I256-406/410			
No.	Description	Sketch	Quantity
F	Hanger Bolt Ø5/16" x 4-1/2"		8 PCS
G	Half Moon Washer Ø5/16"		8 PCS
H	Hex Nut Ø5/16"		8 PCS
I	Hex Wrench 12mm		1 PC
J	Wood Screw M4 x 1-1/4"		10 PCS
K	Wood Cap (only for 410)		8 PCS

COMPONENTS LIST: I256-406			
No.	Description	Sketch	Quantity
1	Bed rails		2 PCS
2	Slats		5 PCS

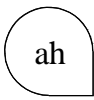
COMPONENTS LIST: I207-410			
No.	Description	Sketch	Quantity
1	Bed rails		2 PCS
2	Slats		5 PCS

HARDWARE LIST: I256-407			
No.	Description	Sketch	Quantity
L	Bolt Ø5/16" x 1-1/2"		2 PCS
M	Lock Washer Ø5/16"		2 PCS
N	Flat Washer Ø5/16" x 7/8"		2 PCS
O	Allen Wrench 4mm		1 PC

COMPONENTS LIST: I256-407			
No.	Description	Sketch	Quantity
1	Footboard		1 PC
2	Metal Leg		2 PCS
3	Support Leg (for slat)		5 PCS

BEFORE USING THIS PRODUCT PLEASE READ, UNDERSTAND, AND FOLLOW THESE INSTRUCTIONS. Save these instructions for future reference.

FOR INDOOR USE ONLY

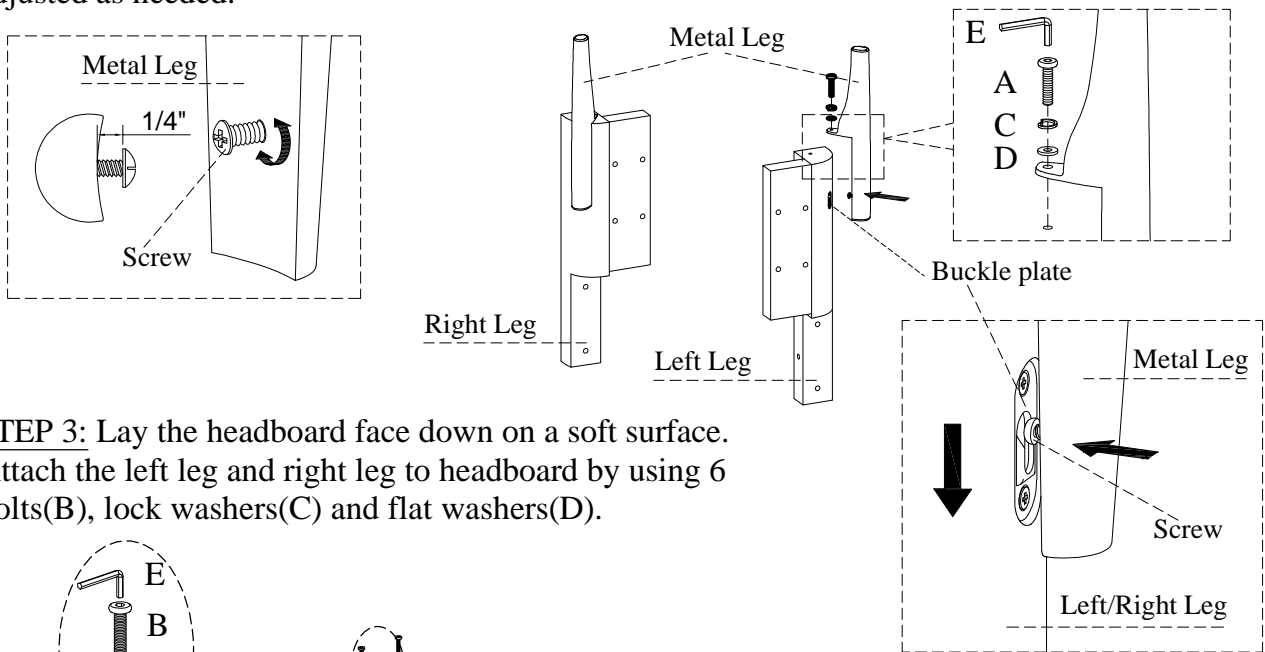


ITEM NO: I256-415 King Panel HB  
 I256-406 King Rails  
 I256-410 Cal King Rails  
 I256-407 King Low Profile FB

**STEP 1:** Put the left leg and right leg upside down on a soft surface.

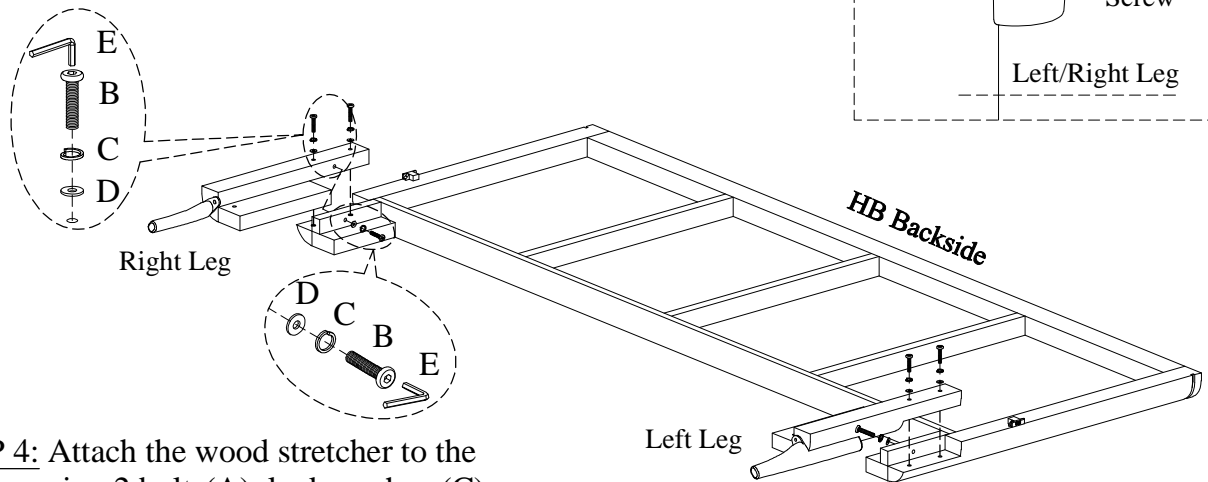
**STEP 2:** Each metal leg will come with screw pre-installed with a 1/4" lag as shown below.

Adjust as needed to ensure the 1/4" lag. Insert the screw on each metal leg into the buckle plate on the left leg and right leg and push it down to the suitable position. Attach the metal legs by using 2 bolts (A), lock washers (C) and flat washers (D). Use the allen wrench (E) to tighten the two bolts. If the leg is loose in the buckle plate, the leg should be removed and the screw adjusted as needed.

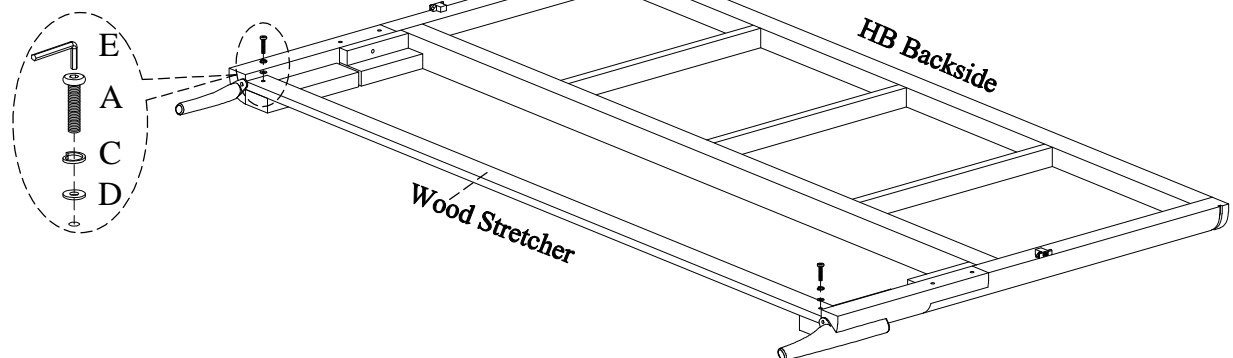


**STEP 3:** Lay the headboard face down on a soft surface.

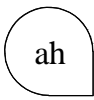
Attach the left leg and right leg to headboard by using 6 bolts(B), lock washers(C) and flat washers(D).



**STEP 4:** Attach the wood stretcher to the legs by using 2 bolts(A), lock washers(C) and flat washers(D).

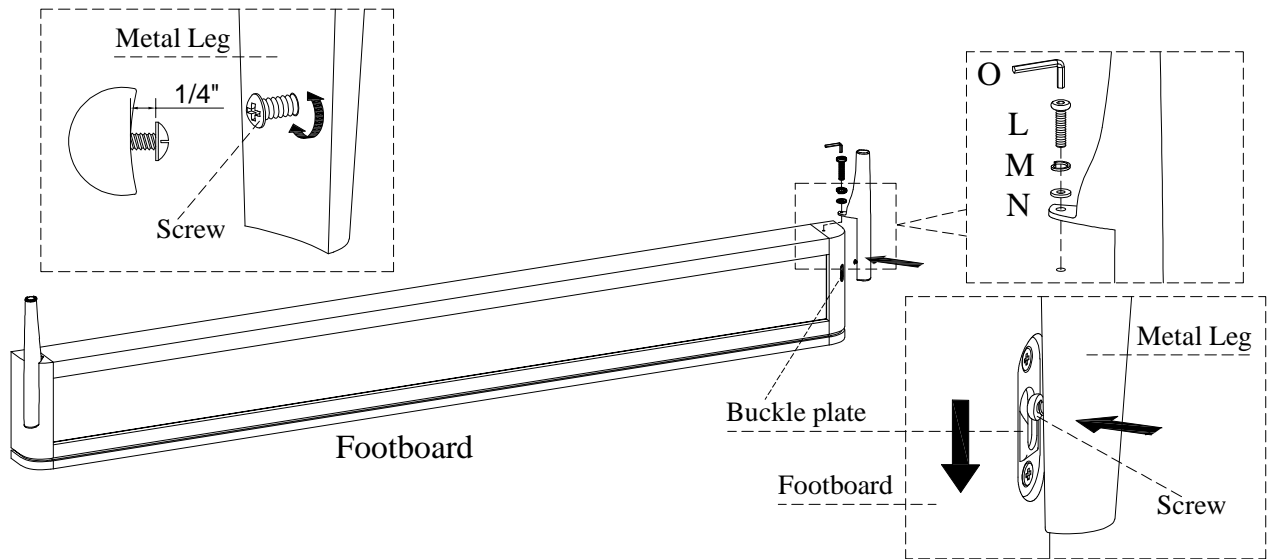






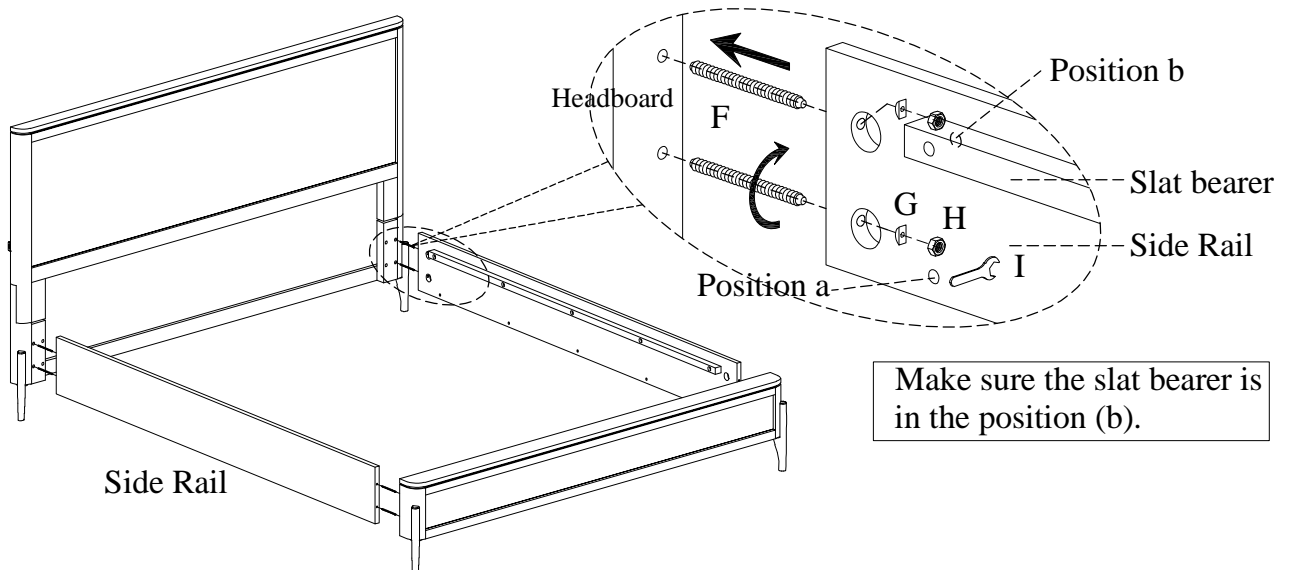
ITEM NO: I256-415 King Panel HB  
 I256-406 King Rails  
 I256-410 Cal King Rails  
 I256-407 King Low Profile FB

**STEP 5:** Put the footboard upside down on a soft surface. Each metal leg will come with screw pre-installed with a 1/4" lag as shown below. Adjust as needed to ensure the 1/4" lag. Insert the screw on each metal leg into the buckle plate on the footboard and push it down to the suitable position. Attach the metal legs by using 2 bolts (L), lock washers (M) and flat washers (N). Use the allen wrench (O) to tighten the two bolts. If the leg is loose in the buckle plate, the leg should be removed and the screw adjusted as needed.

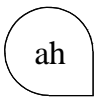


**OPTION 1:** The side rails may be used on either side. Arrange the side rails so the slat bearers are in UPPER POSITION prior to attachment in STEP 6.

**STEP 6:** Screw the bolts (F) into HB & FB. Make sure the slat bearer is in the position (b). Align the bolts with the holes in the end of side rails and attach the side rails to HB & FB using half moon washers (G) and nuts (H). Then use a hex wrench (I) to tighten all the nuts.



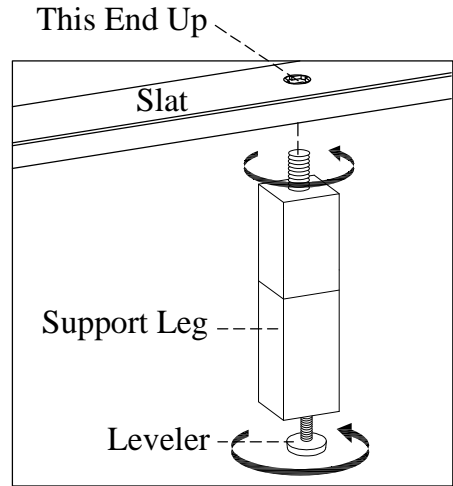
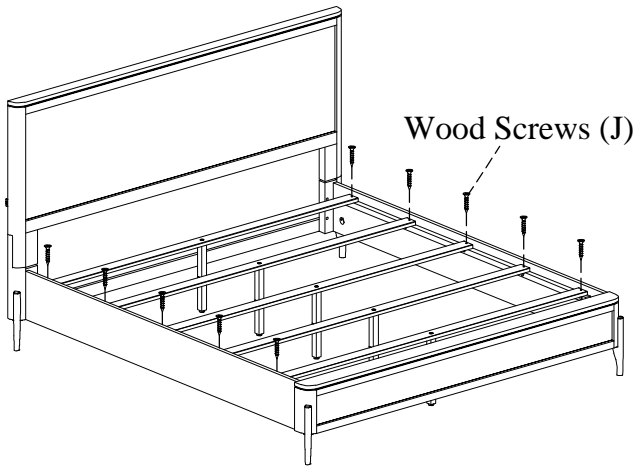
Make sure the slat bearer is in the position (b).



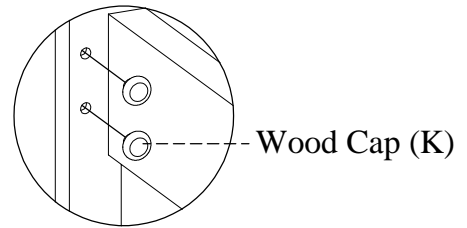
- ITEM NO: I256-415      King Panel HB
- I256-406      King Rails
- I256-410      Cal King Rails
- I256-407      King Low Profile FB

**STEP 7:** Attach the support legs with leveler to the slats. Adjust the levelers on bottom of support legs when necessary.

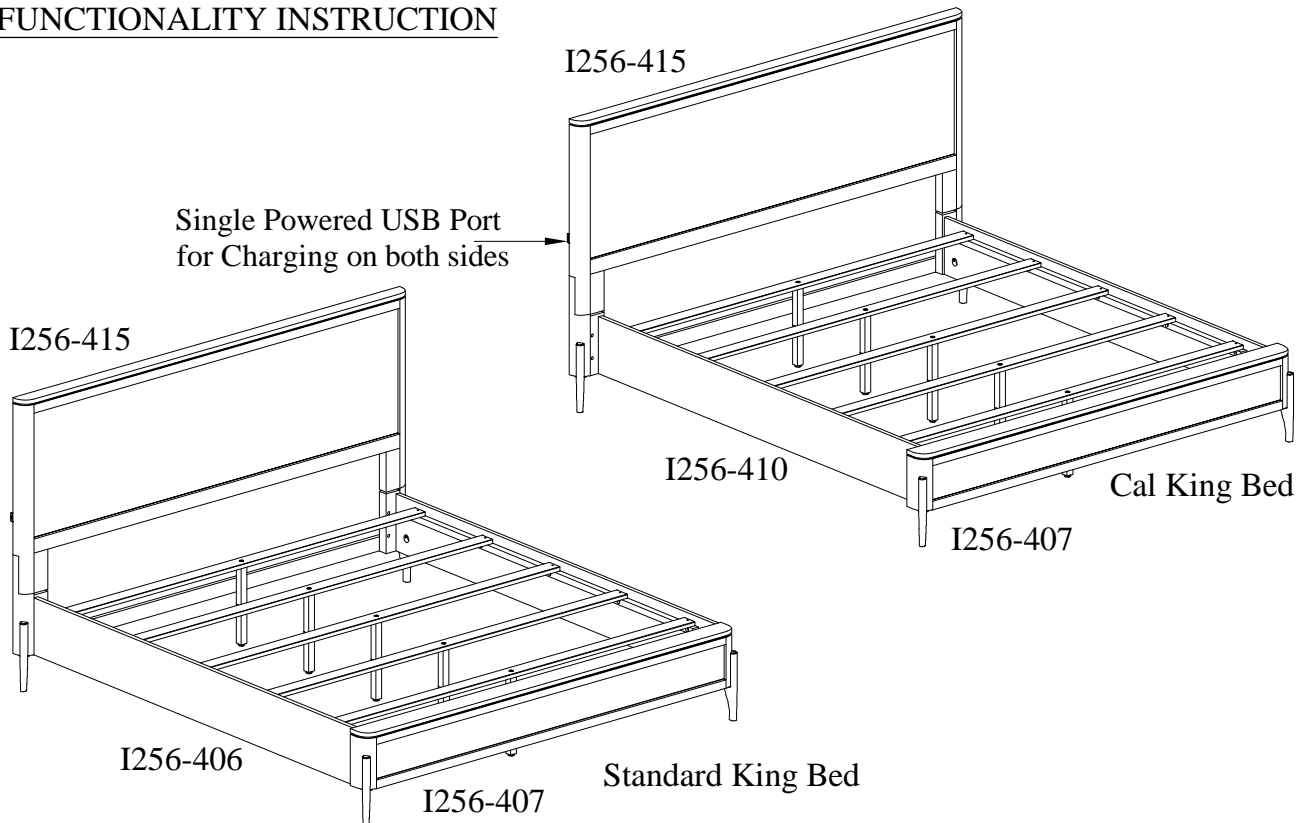
**STEP 8:** Arrange the slats on the slat bearers equally and attach to the slat bearers with wood screws (J).



**STEP 9:** For Cal King bed, insert wood caps into the holes on headboard and footboard. For regular King bed, skip this step.



**FUNCTIONALITY INSTRUCTION**



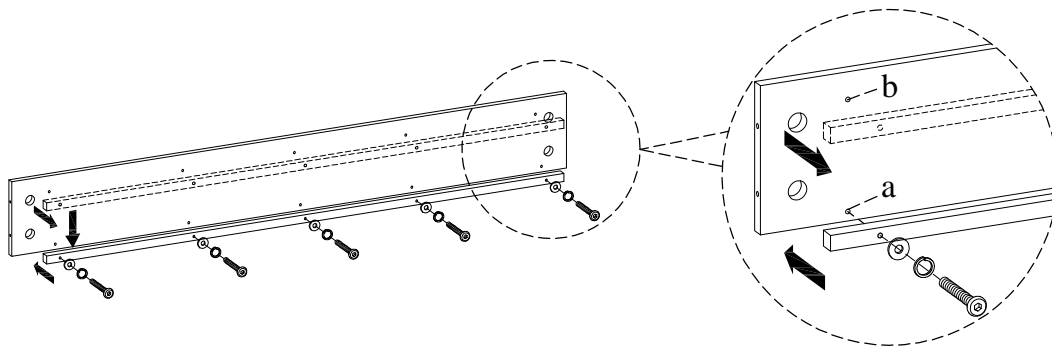


ITEM NO: I256-415     King Panel HB  
 I256-406     King Rails  
 I256-410     Cal King Rails  
 I256-407     King Low Profile FB

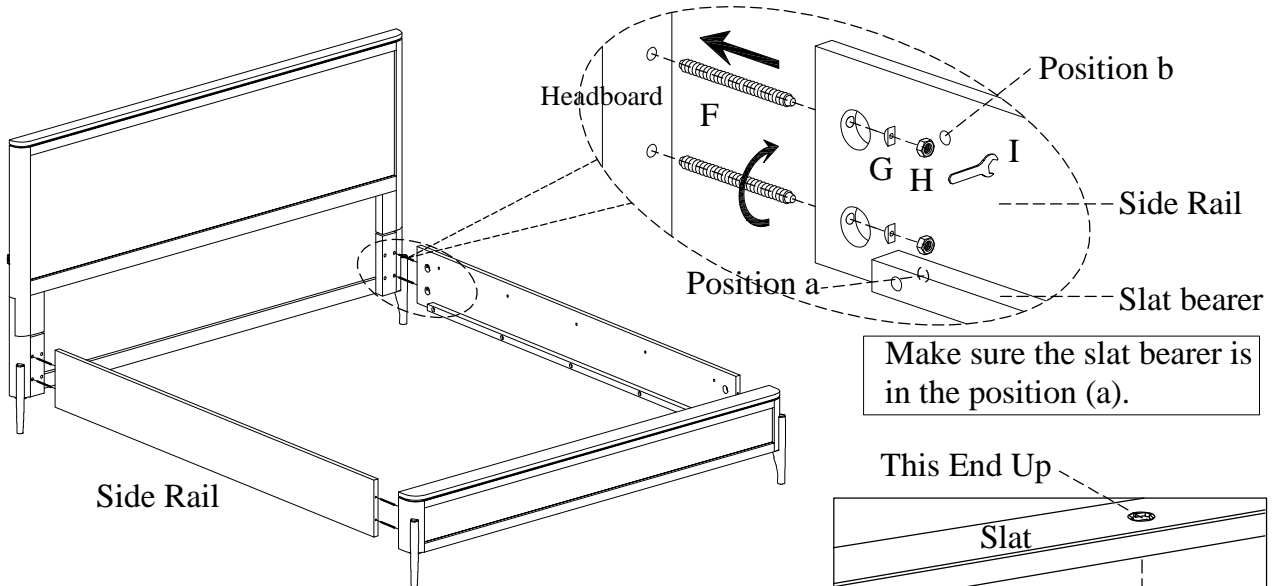
**OPTION 2:** The side rails may be used on either side. Arrange the side rails so the slat bearers are in LOWER POSITION prior to attachment in STEP 7.

**STEP 6:** The slat bearers have been attached in position (b) approximately 2" from the top of the side rails for use with a storage footboard. The slat bearers must be moved into position (a) based on this bed configuration. Remove the bolts from the slat bearers and side rails as shown below. Then re-attach the slat bearers to the side rails in position (a) with bolts, lock washers, flat washers.

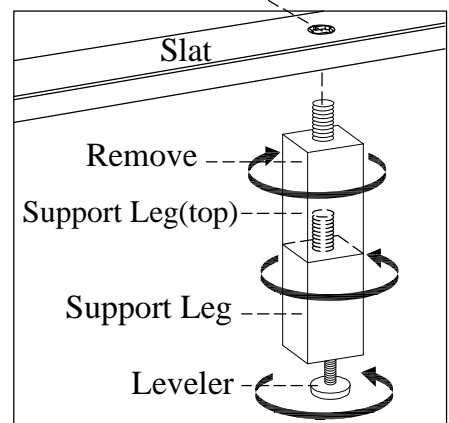
**Caution: Do not over tighten bolts as this may loosen the threaded inserts in the side rails.**



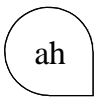
**STEP 7:** Screw the bolts (F) into HB & FB. Make sure the slat bearer is in the position (a). Align the bolts with the holes in the end of side rails and attach the side rails to HB & FB using half moon washers (G) and nuts (H). Then use a hex wrench (I) to tighten all the nuts.



This End Up

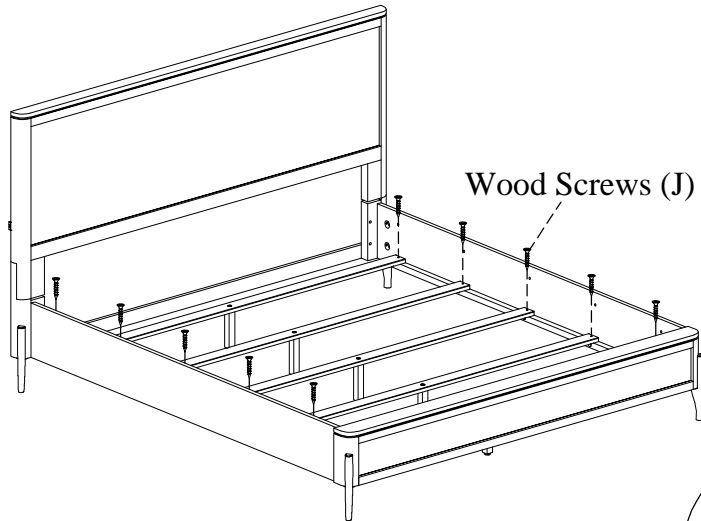


**STEP 8:** Remove the support legs (top) as shown in the picture to the right. Attach the support legs with leveler to the slats. Adjust the levelers on bottom of support legs when necessary.

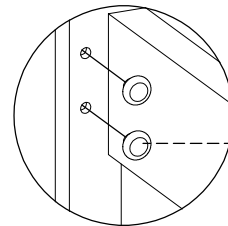


- ITEM NO: I256-415      King Panel HB
- I256-406      King Rails
- I256-410      Cal King Rails
- I256-407      King Low Profile FB

**STEP 9:** Arrange the slats on the slat bearers equally and attach to the slat bearers with wood screws (J).



**STEP 10:** For Cal King bed, insert wood caps into the holes on headboard and footboard. For regular King bed, skip this step.



Wood Cap (K)

### FUNCTIONALITY INSTRUCTION

