

ASSEMBLY INSTRUCTIONS

ah






aspenhome®

Distributed by Furniture Values International, LLC

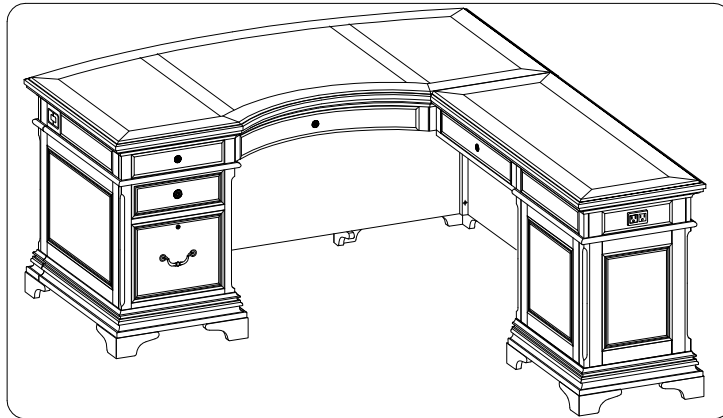
ITEM NO:I26-307-1 Curved Desk for Return

ITEM NO:I26-308-1 Left/Right Return

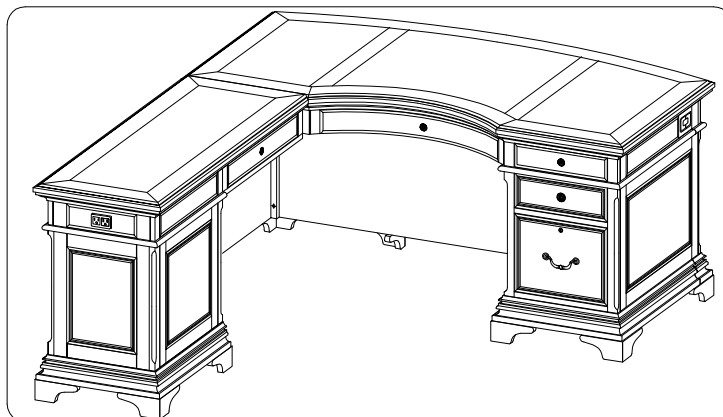
HARDWARE PACK FOR -307

A		Bolt(1/4"*1-1/4")	8 PCS
B		Lock Washer	8 PCS
C		Flat Washer	8 PCS
D		Allen Wrench	1 PC
D		Wood Cap	3 PCS

OPTION 1 Desk with Right return--Go to Page 4



OPTION 2 Desk with Left return--Go to Page 5



CAUTION:

- 1.Pick up the desk when moving the desk. Make sure do not slide the desk on carpet or tile. Otherwise, the base will be stressed and broken.
- 2.Take off the Inner-box, and make sure all the staples are removed before assembly. For preventing harm to consumer.



UNIT SHOULD BE INSTALLED BY 2 OR MORE PERSONS.

ASSEMBLY INSTRUCTIONS

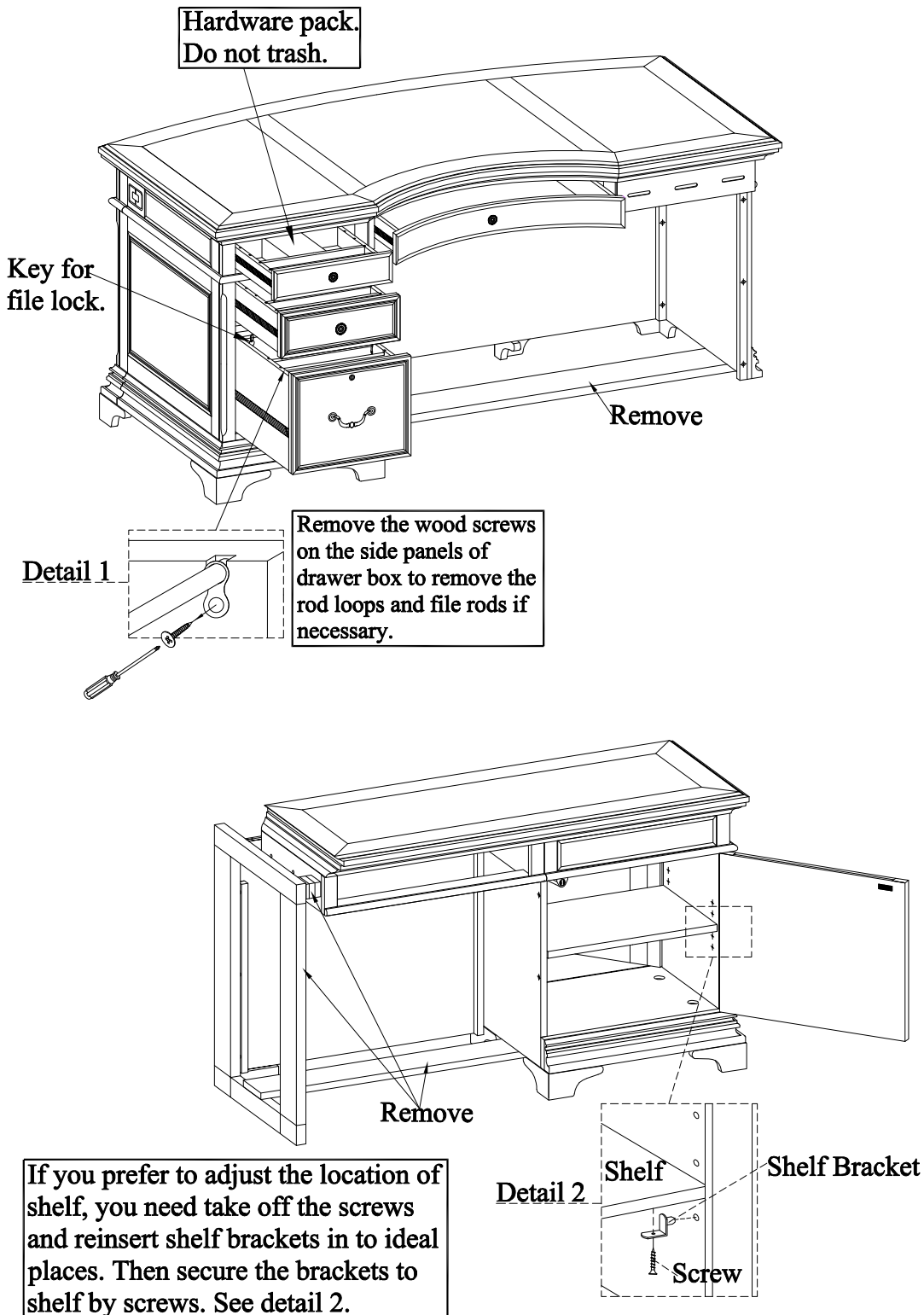
ah

aspenhome®

Distributed by Furniture Values International, LLC

ITEM NO:I26-307-1 Curved Desk for Return

ITEM NO:I26-308-1 Left/Right Return



ASSEMBLY INSTRUCTIONS

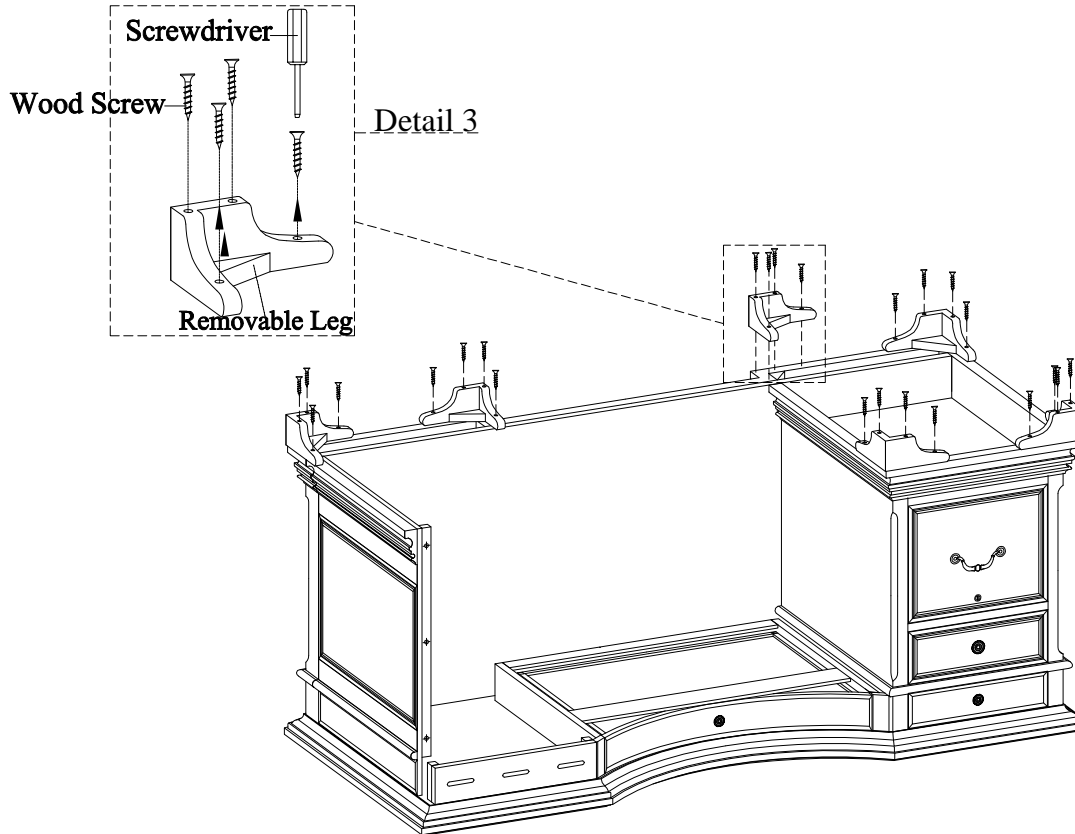
ah

aspenhome®

Distributed by Furniture Values International, LLC

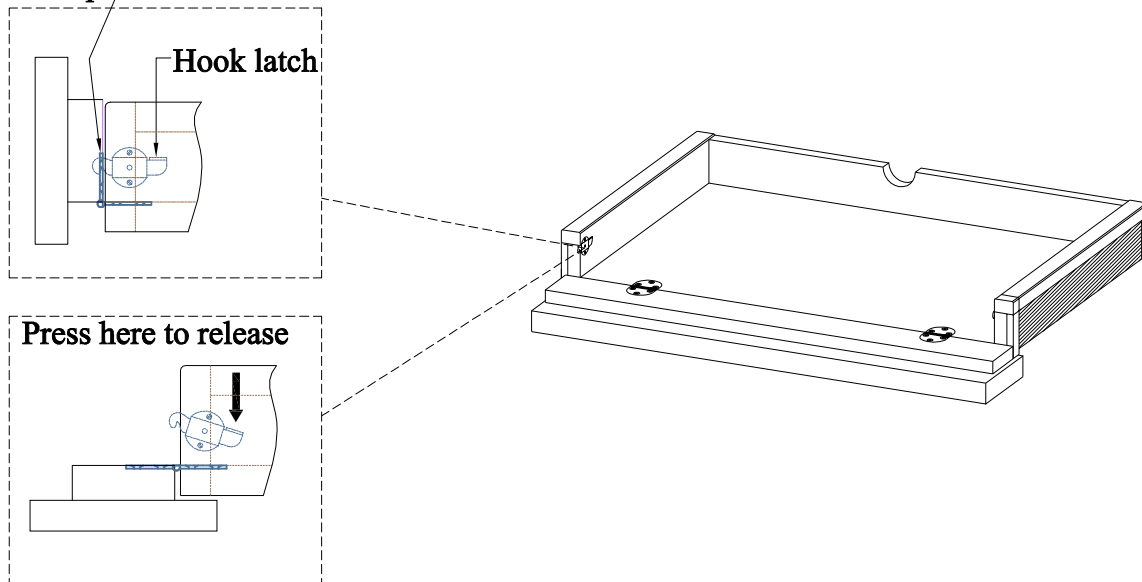
ITEM NO:I26-307-1 Curved Desk for Return

ITEM NO:I26-308-1 Left/Right Return



If the desk is too wide to go through the door, you need to remove the legs. As shown above, use a screwdriver to remove the wood screws from the legs to the desk.

Metal plate mounted in the flip-down drawer front



ASSEMBLY INSTRUCTIONS

ah

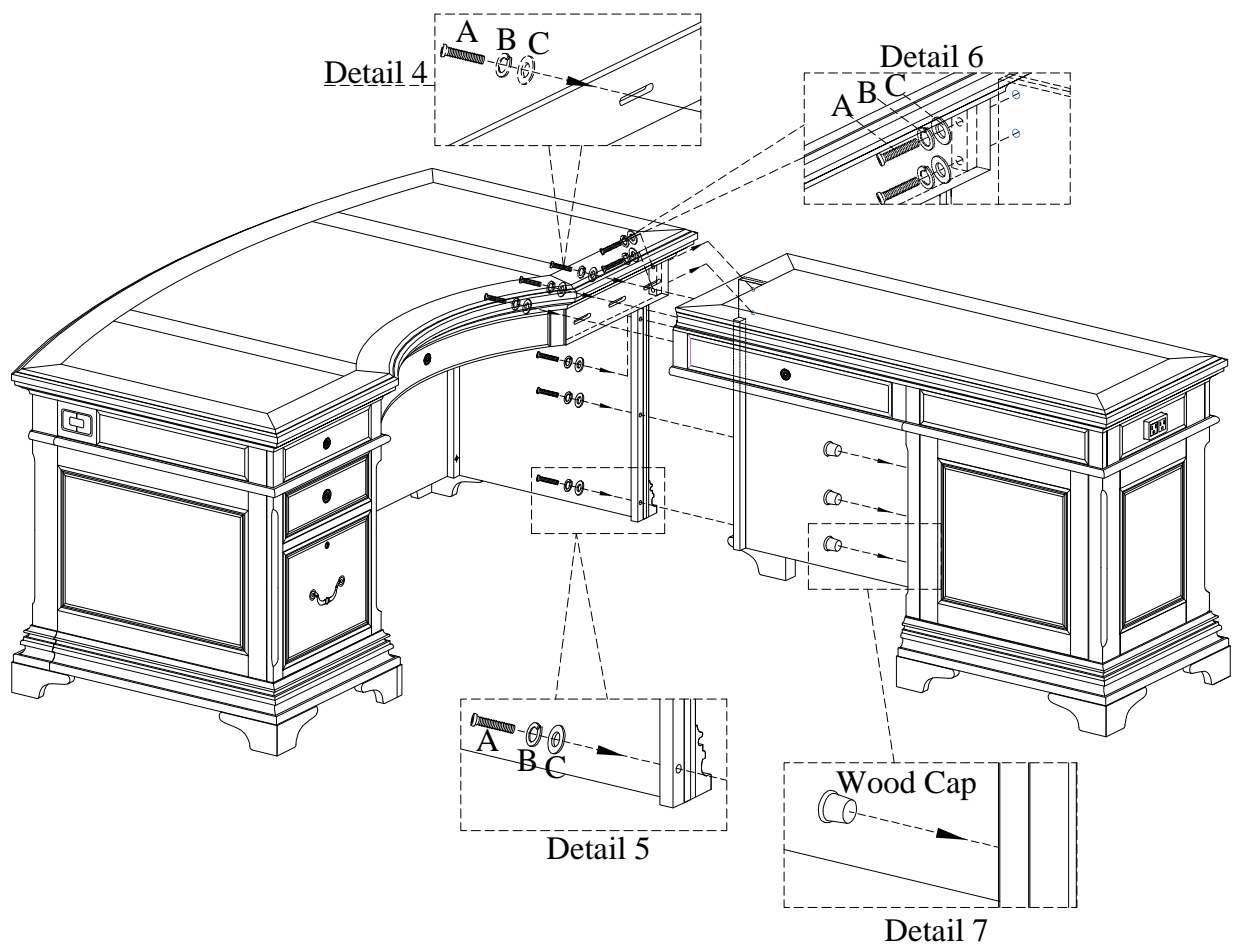
aspenhome®

Distributed by Furniture Values International, LLC

ITEM NO:I26-307-1 Curved Desk for Return

ITEM NO:I26-308-1 Left/Right Return

Option 1 desk with right return



Assembly Step:

1. Align the holes in the desk end connector with the holes in the return's.
2. Use bolts, lock washers and flat washers to connect desk and return. See detail 4, detail 5 and detail 6.
3. Use an Allen wrench tighten all the bolts. And insert wood caps into the holes. See detail 7.

ASSEMBLY INSTRUCTIONS

ah

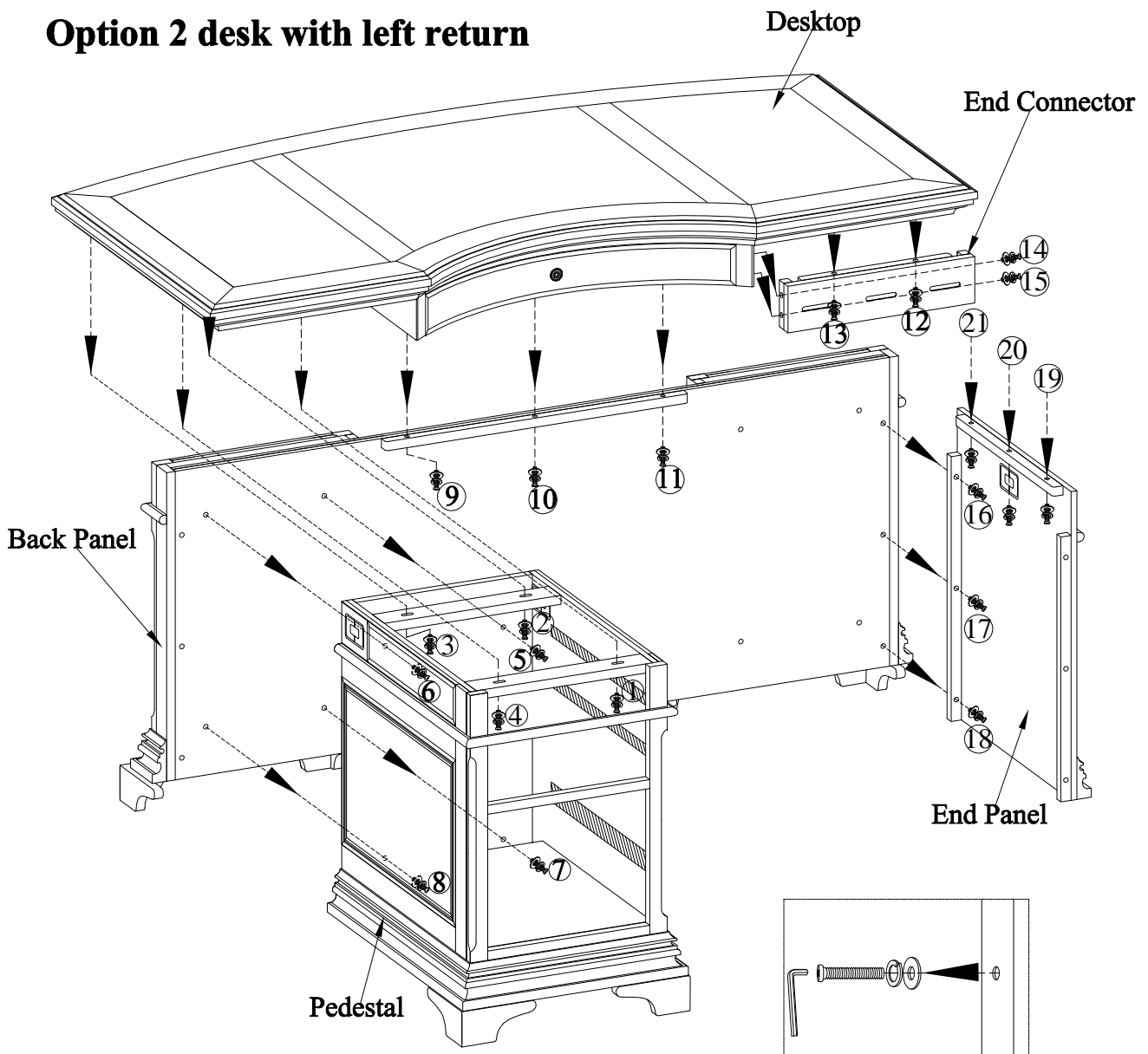
aspenhome®

Distributed by Furniture Values International, LLC

ITEM NO:I26-307-1 Curved Desk for Return

ITEM NO:I26-308-1 Left/Right Return

Option 2 desk with left return



1. Take out the drawers from the Pedestal.
2. Remove bolts (1,2,3,4) from pedestal to desktop, remove bolts (9,10,11) from back panel to the desktop and bolts (19, 20, 21) from end panel to desktop . Then take off the desktop
3. Remove bolts (12,13,14,15) from end connector to desktop and take off the connector.
4. Remove bolts (16,17,18) from the end panel to the back panel then take it off.
5. Remove bolts (5,6,7,8) from the pedestal to the back panel then take it off.
6. Put the pedestal, the end panel, the end connector to the opposite side of the desk.

ASSEMBLY INSTRUCTIONS

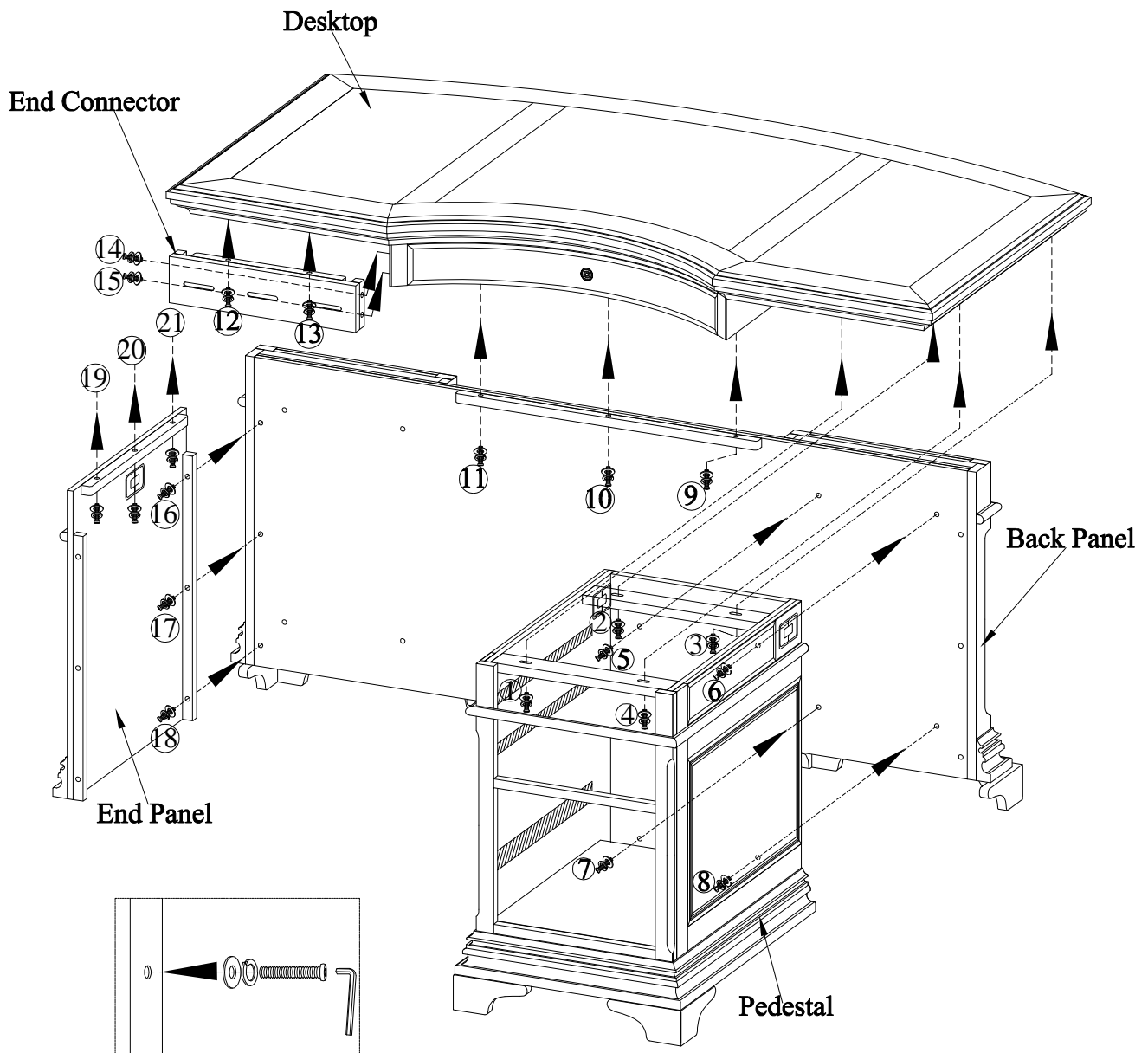
ah

aspenhome®

Distributed by Furniture Values International, LLC

ITEM NO:I26-307-1 Curved Desk for Return

ITEM NO:I26-308-1 Left/Right Return



7. Attach pedestal to back panel by using bolts (5,6,7,8). Do not tighten the bolts completely.
8. Attach end panel to back panel by using bolts (16,17,18). Do not tighten the bolts completely.
9. Put the desktop on and attach the pedestal to desktop by using bolts (1,2,3,4), attach the back panel to desktop by using bolts (9,10,11), attach the end panel to desktop by using bolts (19,20,21). Do not tighten the bolts completely.
10. Attach the end connector to desktop by using bolts (12,13,14,15).
11. Use an Allen wrench tighten all the bolts. Put the drawers back in to the pedestal.

ASSEMBLY INSTRUCTIONS

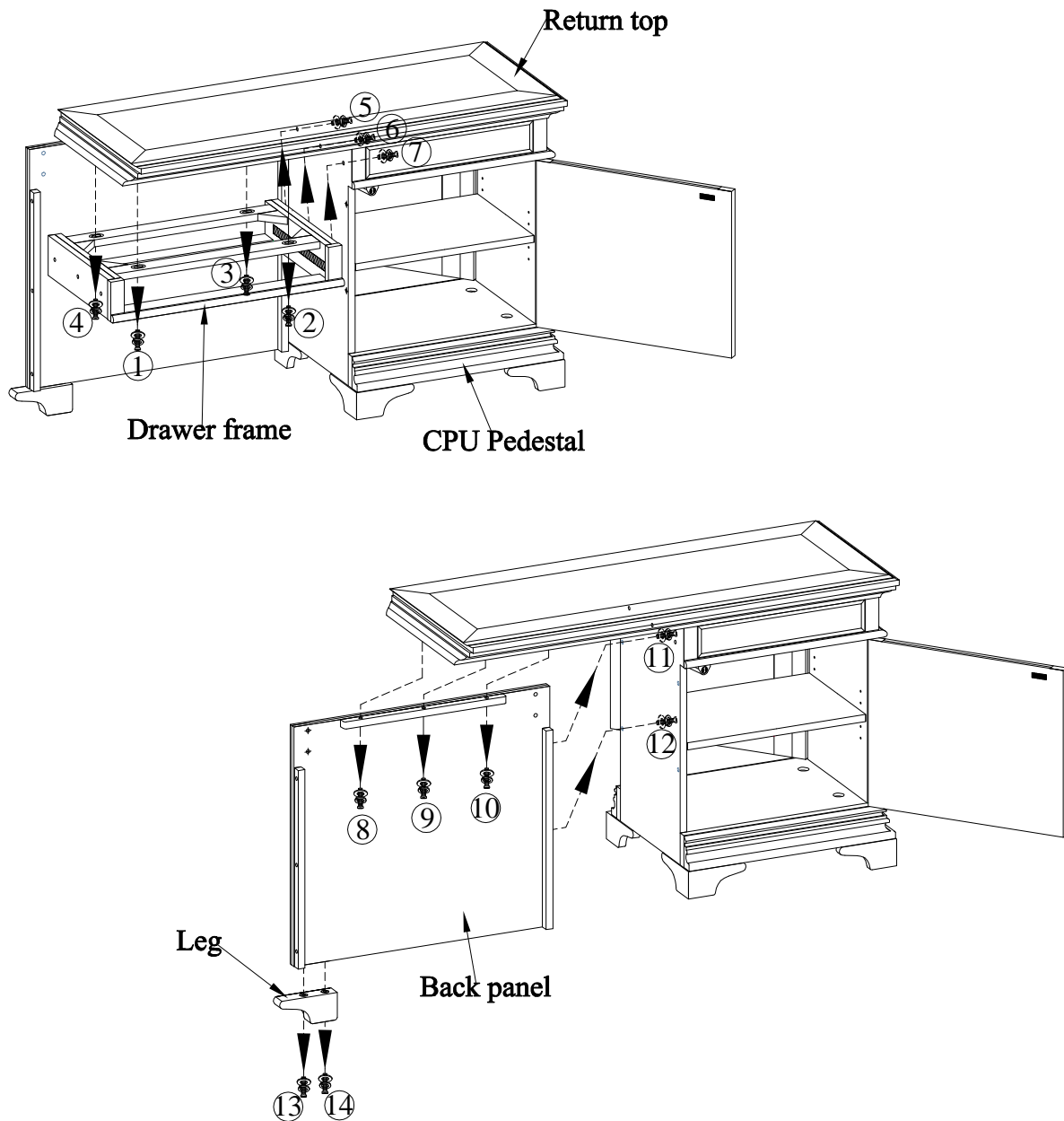
ah

aspenhome®

Distributed by Furniture Values International, LLC

ITEM NO:I26-307-1 Curved Desk for Return

ITEM NO:I26-308-1 Left/Right Return



12. Take out the drawer. Remove bolts (1,2,3,4) from drawer frame to return top, remove bolts (5,6,7) from CPU pedestal to the drawer frame. Then take off the drawer frame.
13. Remove bolts (8,9,10) from back panel to return top and remove bolts (11,12) from CPU pedestal to back panel. Then take the back panel off.
14. Remove bolts (13,14) from leg to the back panel then take it off.
15. Reverse the back panel, drawer frame and the leg.

ASSEMBLY INSTRUCTIONS

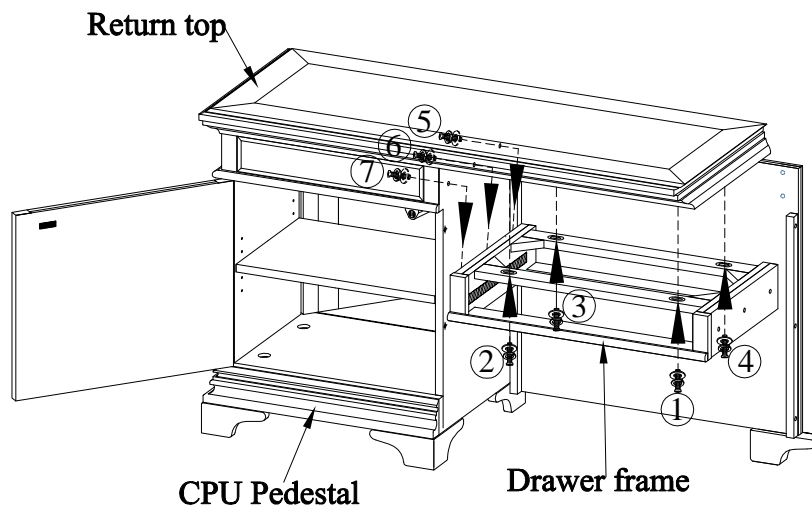
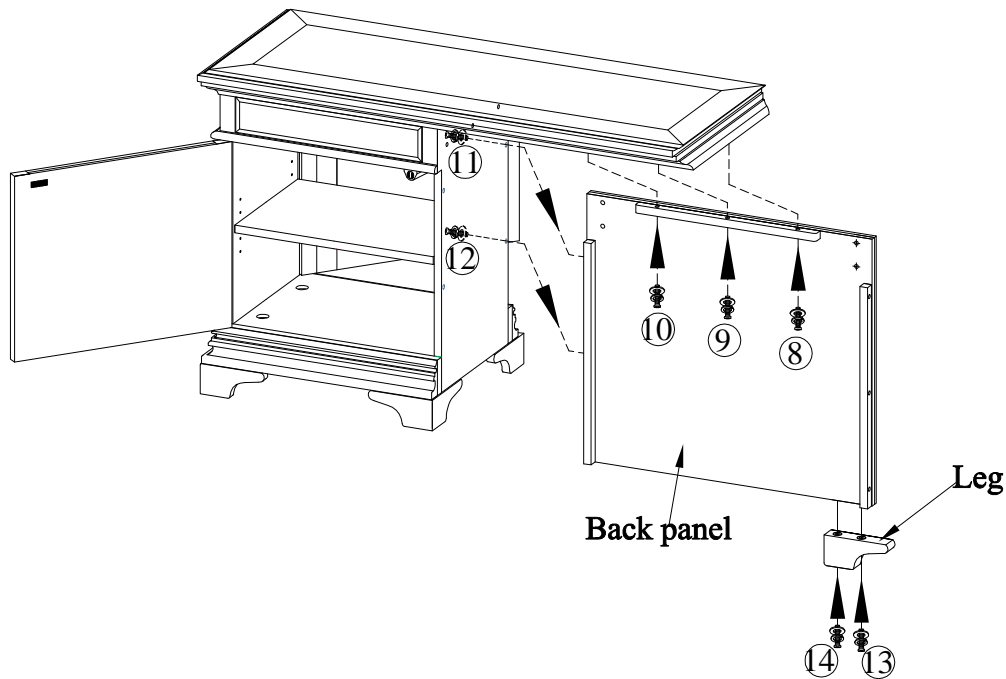
ah

aspenhome®

Distributed by Furniture Values International, LLC

ITEM NO:I26-307-1 Curved Desk for Return

ITEM NO:I26-308-1 Left/Right Return



16. Attach the leg to back panel by using bolts (13,14).
17. Attach the back panel to return top by using bolts (8,9,10) and to the CPU pedestal by using bolts (11,12).
18. Attach the drawer frame to the return top by using bolts (1,2,3,4) and to the CPU pedestal by using bolts (5,6,7).
19. Use an Allen wrench tighten all the bolts and put the drawer back in to the return.

ASSEMBLY INSTRUCTIONS

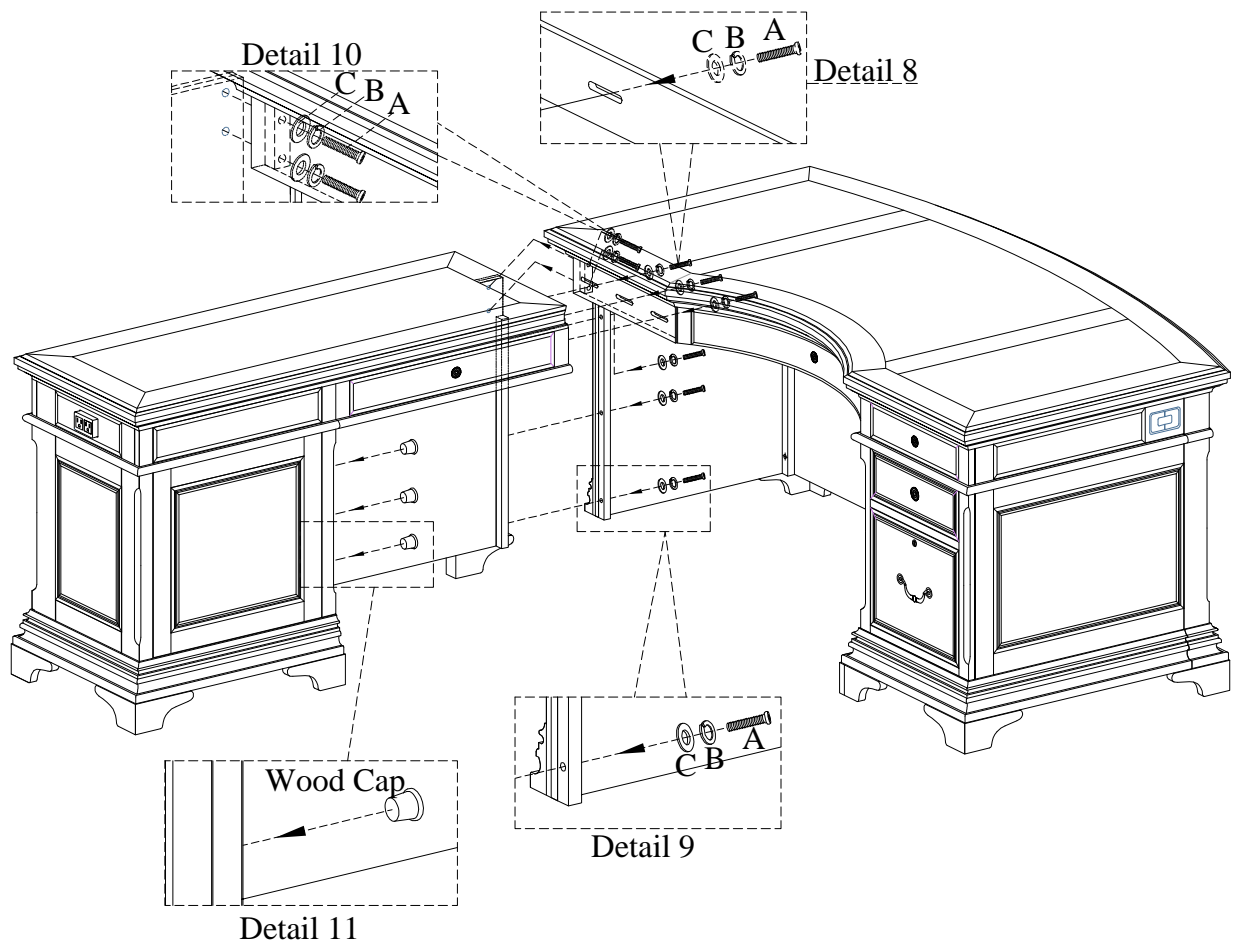
ah

aspenhome®

Distributed by Furniture Values International, LLC

ITEM NO:I26-307-1 Curved Desk for Return

ITEM NO:I26-308-1 Left/Right Return



21. Align the holes in the desk end connector with the holes in the return's.
22. Use bolts, lock washers and flat washers to connect desk and return. See detail 8, detail 9 and detail 10.
23. Use an Allen wrench tighten all the bolts. And insert wood caps into the holes. See detail 11.