

ITEM NO: I3048-456 Chest

Thank you for purchasing this quality product. Be sure to check all packing material carefully for small parts that may come loose inside the carton during shipment.



**UNIT SHOULD BE INSTALLED BY 2 OR MORE PERSONS.**



TOOLS REQUIRED (NOT PROVIDED)

PHILLIPS SCREWDRIVER

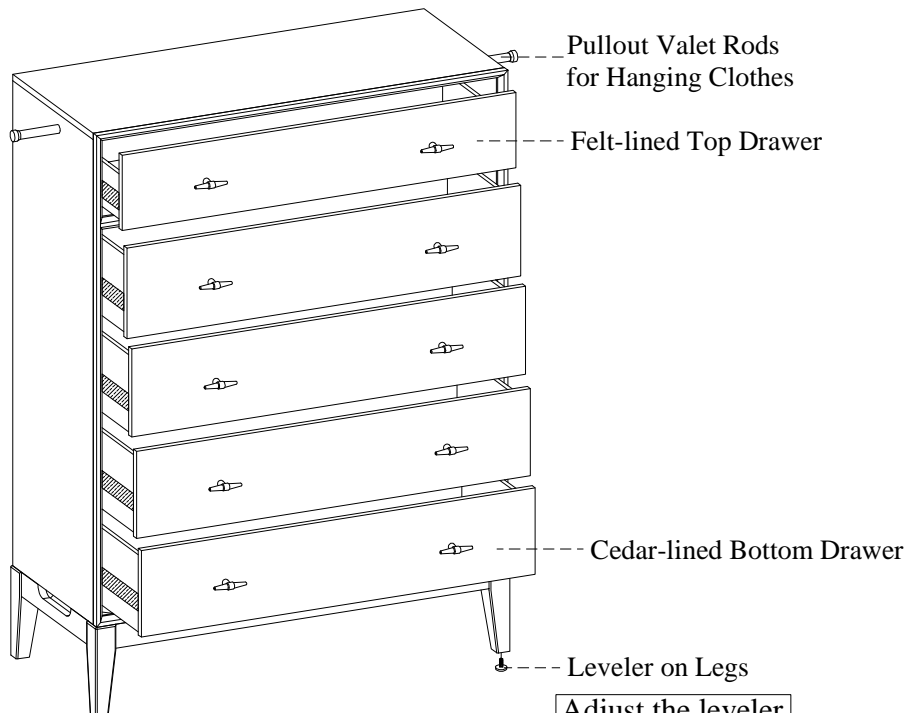
**HARDWARE LIST:**

No.	Description	Sketch	Quantity
A	Hex Nut Ø5/16"		8 PCS
B	Lock Washer Ø5/16"		8 PCS
C	Flat Washer Ø5/16" x 3/4"		8 PCS
D	Hex Wrench 12mm		1 PC

**COMPONENTS LIST:**

No.	Description	Sketch	Quantity
1	Case		1 PC
2	Leg		4 PCS

### FUNCTIONALITY INSTRUCTION



Adjust the leveler when necessary

**WARNING!** Before using this product, please read, understand, and follow these instructions. Failure to follow each of these assembly instructions precisely may result in damage to the product and / or injury to the consumer.

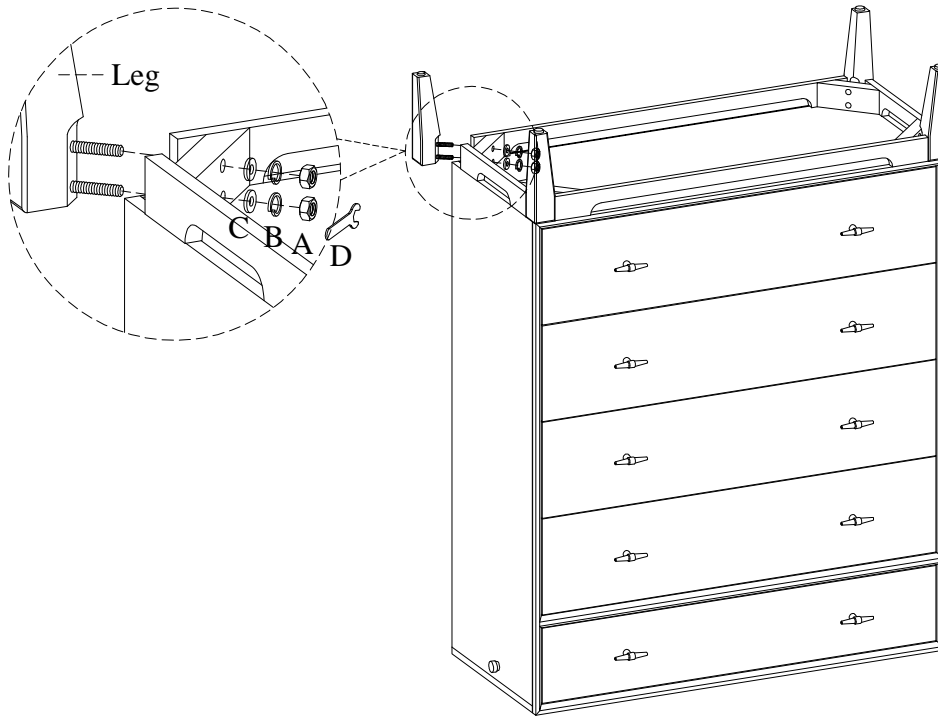
FOR INDOOR USE ONLY



ITEM NO: I3048-456 Chest

STEP 1: Put the case face down on a soft surface.

STEP 2: Attach the legs to the case by using 8 flat washers (C), lock washers (B) with hex nuts (A). Use the Hex wrench (D) provided to tighten all the bolts.



STEP 3: Return the case to the upright position.

