





ASSEMBLY INSTRUCTIONS

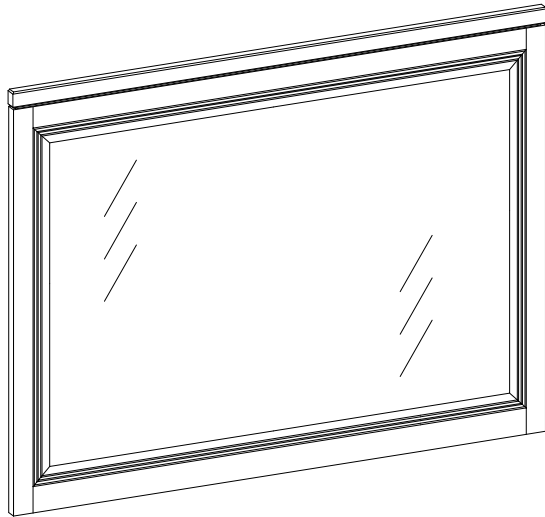


aspenhome[®]

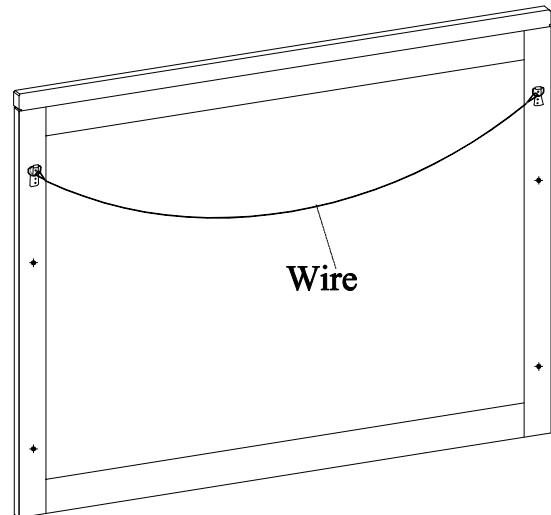
Distributed by Furniture Values International, LLC

ITEM NO: I32-463 Landscape Mirror

HARDWARE LIST			COMPONENTS LIST	
A.		Allen Bolts (Ø5/16"*1-1/2")	8Pcs	Wood Strip 2 Pcs
B.		Lock Washers(Ø5/16")	8Pcs	
C.		Flat Washers (Ø5/16"*3/4")	8Pcs	
D.		Allen Wrench	1Pc	



Option 1



Option 1:

Place mirror against wall with wire above nail, and lower the mirror slowly. Make sure the wire catches on the nail. Note: Insure the nail is in a wall stud or wall solid enough to support mirror.

Option 2 :

Step 1: Attach the wood strips to the dresser by using bolts(4 pcs), lock washers(4 pcs), and flat washers(4 pcs). Do not tighten the bolts completely.

Step 2: Attach the wood strips to the mirror by using bolts(4 pcs), lock washers(4 pcs), and flat washers(4 pcs). Tighten all the bolts using Allen wrench.

ASSEMBLY INSTRUCTIONS

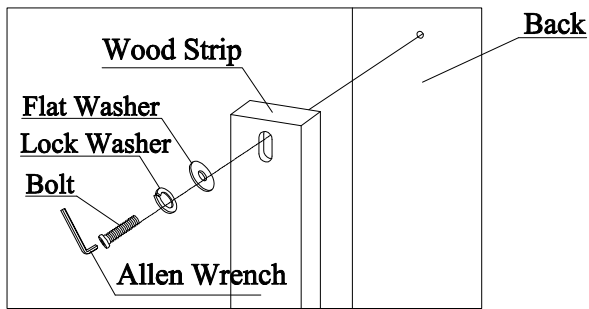


aspenhome®

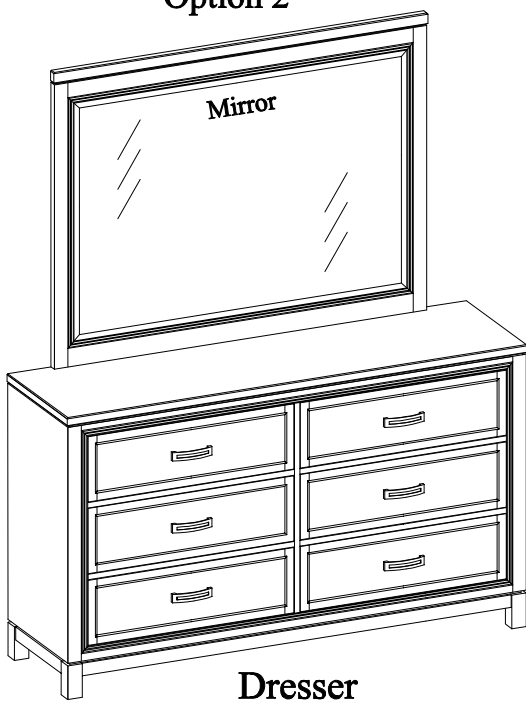
Distributed by Furniture Values International, LLC

ITEM NO: I32-463 Landscape Mirror

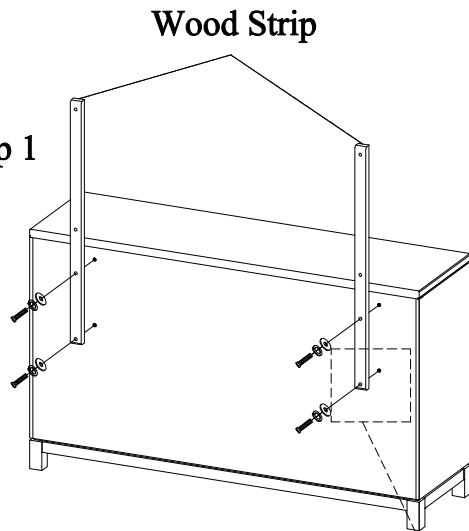
Detail 1



Option 2



Step 1



Detail 1

Step 2

