



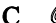




# ASSEMBLY INSTRUCTIONS



## aspenhome®

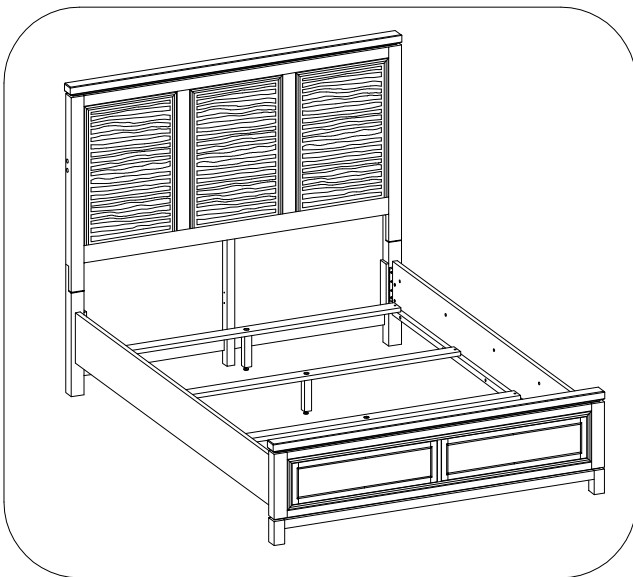
Distributed by Furniture Values International, LLC

ITEM NO: I32-412/403/402 Queen Liquid Panel LP Bed  
 I32-492/403/402 Queen Painted Panel LP Bed

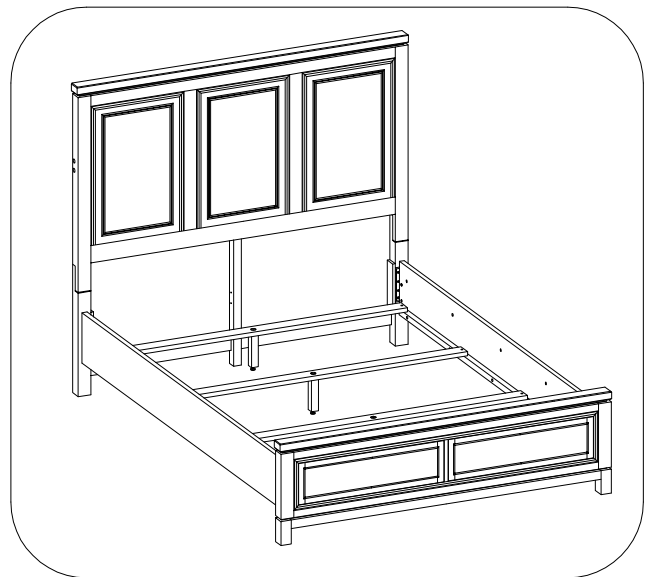
COMPONENTS LIST -412/492		HARDWARE PACK For -412/492	
Headboard	1 Pc	A  Bolt (Ø5/16"*2")	8 Pcs
Left Leg	1 Pc	B  Bolt (Ø5/16"*1-1/2")	6 Pcs
Right Leg	1 Pc	C  Lock Washer (Ø5/16")	14 Pcs
Wood Stretcher	1 Pc	D  Flat Washer (Ø5/16"*3/4")	14 Pcs
Center Support Leg	1 Pc	E  Allen Wrench (4mm)	1 Pc
COMPONENTS LIST -403		HARDWARE PACK For -402	
Footboard	1 Pc	F  Wood Screw (M4*1")	8 Pcs
Support legs (for slats)	4 Set	G  Allen Wrench (4mm)	1 Pc
COMPONENTS LIST -402			
Bed rails	2 Pcs		
Slats	4 Pcs		

### SAFETY WARNING:

ALL beds need to be set up in the exact final location so that after full assembly it will not need to be moved. Moving the bed will cause the support legs to move out of the perpendicular (90 degree) and weaken the support system and may allow the bed to collapse.



Queen Liquid Panel LP Bed



Queen Painted Panel LP Bed

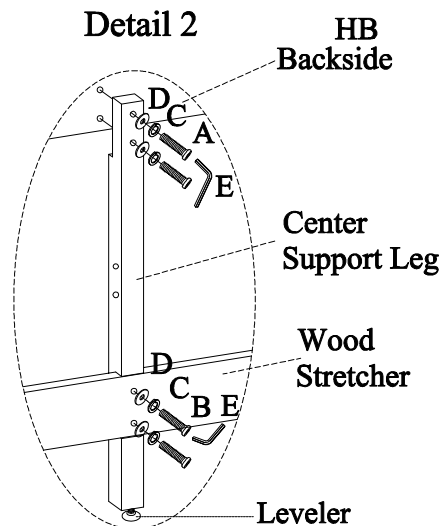
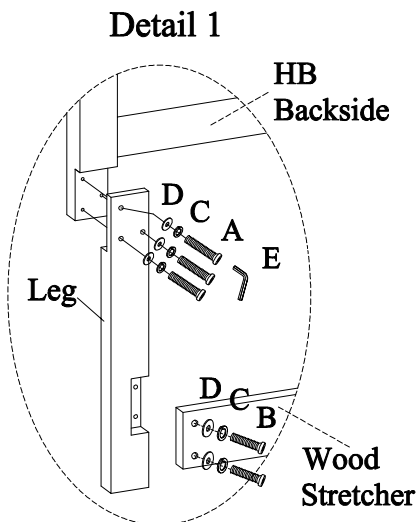
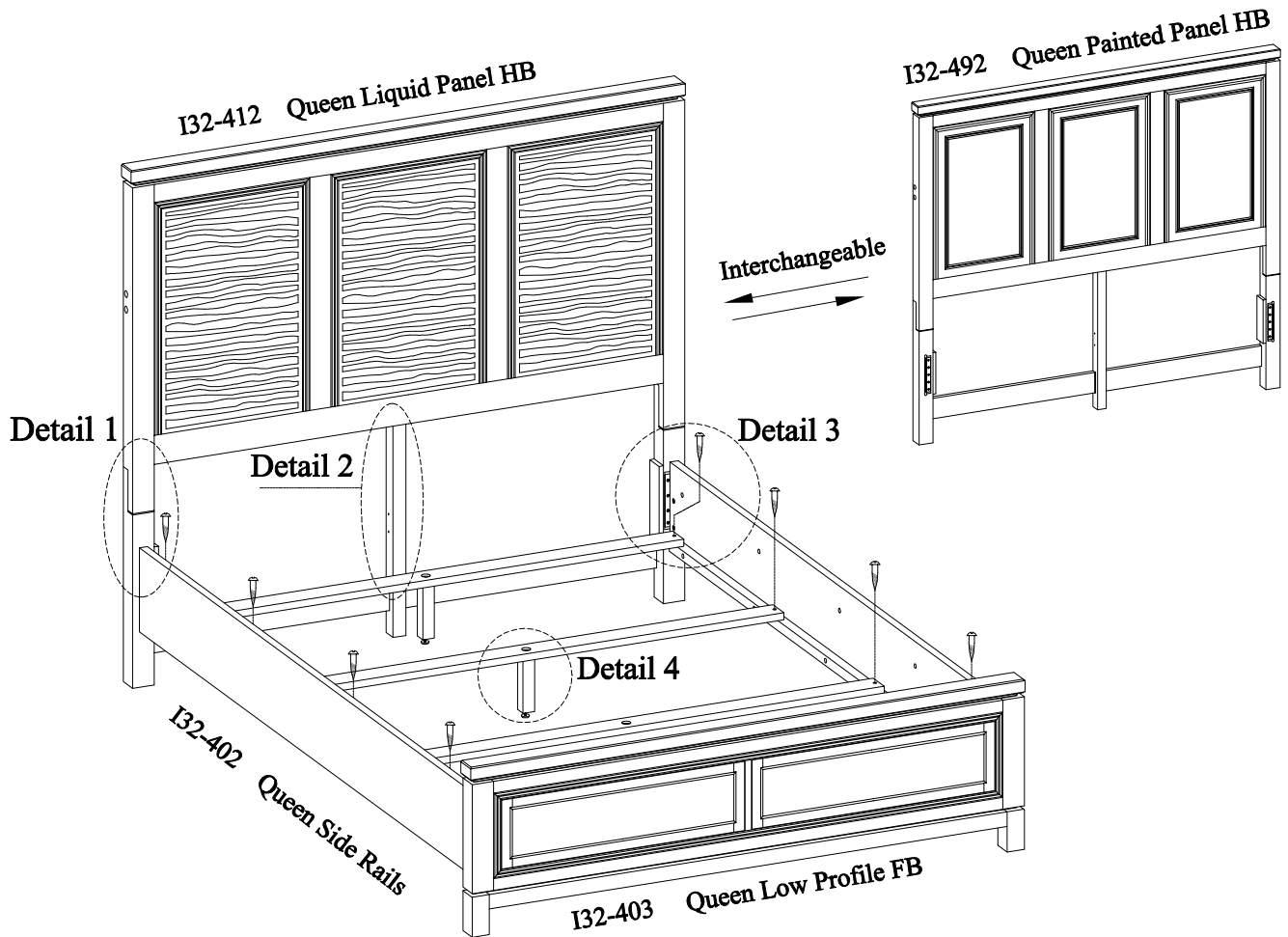
# ASSEMBLY INSTRUCTIONS



## aspenhome®

Distributed by Furniture Values International, LLC

ITEM NO: I32-412/403/402 Queen Liquid Panel LP Bed  
I32-492/403/402 Queen Painted Panel LP Bed



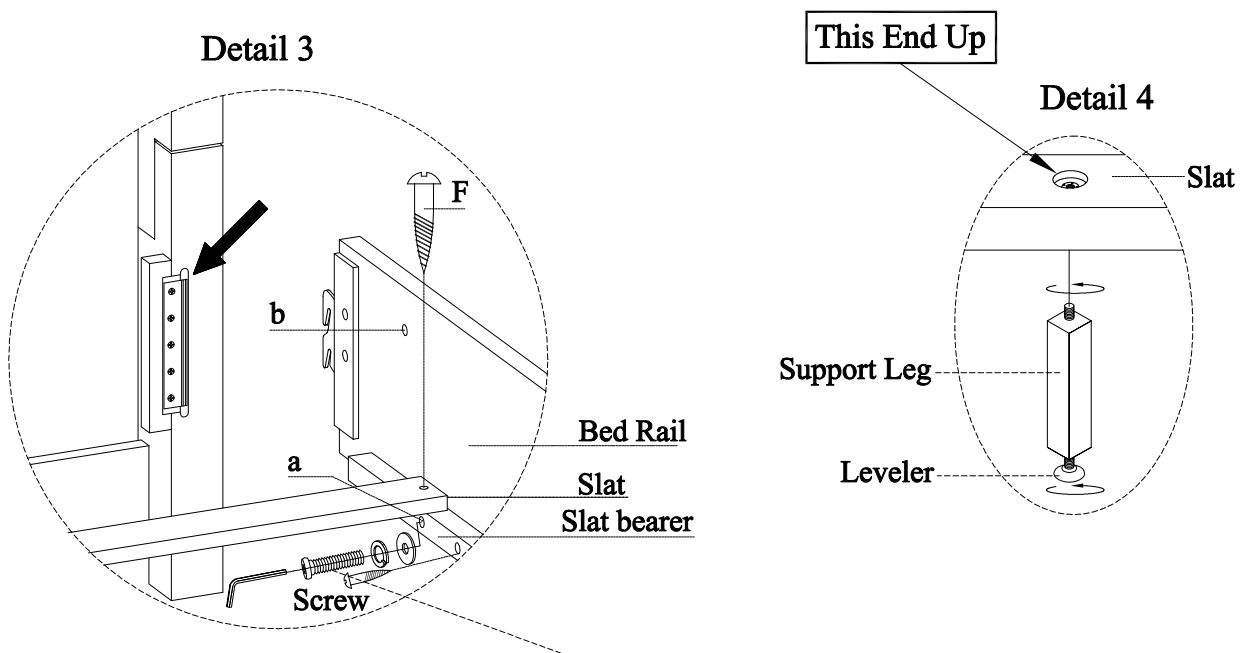
MADE IN VIETNAM



## aspenhome®

Distributed by Furniture Values International, LLC

ITEM NO: I32-412/403/402 Queen Liquid Panel LP Bed  
I32-492/403/402 Queen Painted Panel LP Bed



**Caution: Do not over tighten bolts as that may cause them to not hold**

### Assembly Steps:

1. Attach legs to headboard using 6 bolts A, and attach wood stretcher to the legs using 2 bolts B as shown in detail 1. Then attach center support leg to the headboard using 2 bolts A and to the wood stretcher using 2 bolts B. Use an Allen Wrench to tighten all the bolts. See detail 2.
2. The slat bearers have been attached in the position b. You have to move your slat bearers in to position a. Remove the bolts (10pcs) and screws (8pcs) from the slat bearers to the side rails. Then re-attach the slat bearers to the side rails with bolts, lock washers, flat washers and screws. See detail 3.
3. Hook the side rails to the headboard and footboard as shown in detail 3.
4. Assemble the support legs with leveler to the slats as shown in detail 4, and attach the slats to the slat bearer equally with wood screws (F), as shown in detail 3. Adjust the levelers on bottom of support legs when necessary.

# ASSEMBLY INSTRUCTIONS



**aspenhome**

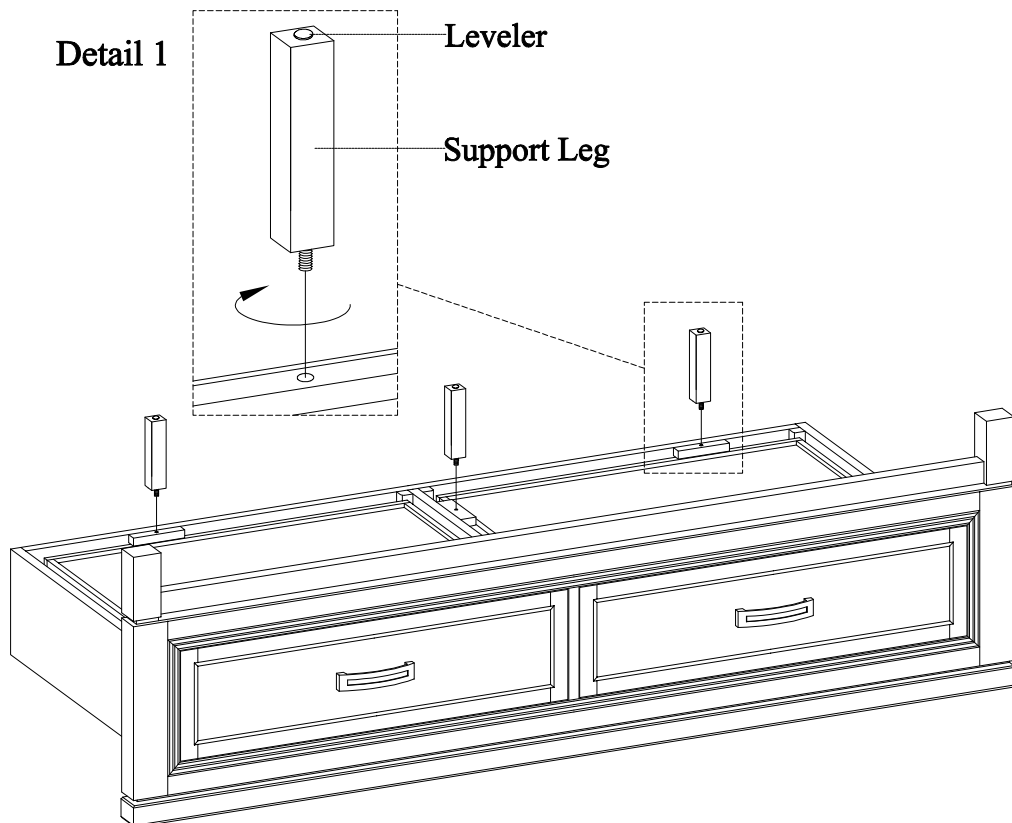
Distributed by Furniture Values International, LLC

ITEM NO: I32-412/403D/402 Queen Liquid Panel Storage Bed  
 I32-492/403D/402 Queen Painted Panel Storage Bed

COMPONENTS LIST -412/492		HARDWARE PACK For -412/492	
Headboard	1 Pc	A  Bolt (Ø5/16"*2")	8 Pcs
Left Leg	1 Pc	B  Bolt (Ø5/16"*1-1/2")	6 Pcs
Right Leg	1 Pc	C  Lock Washer (Ø5/16)	14 Pcs
Wood Stretcher	1 Pc	D  Flat Washer (Ø5/16"*3/4")	14 Pcs
Center Support Leg	1 Pc	E  Allen Wrench (4mm)	1 Pc
COMPONENTS LIST -402		HARDWARE PACK For -403D	
Bed rails	2 Pcs	F  Bolt (Ø5/16"*1-1/2" )	8 Pcs
Slats	4 Pcs	G  Lock Washer (Ø5/16")	8 Pcs
COMPONENTS LIST -403D		H  Flat Washer (Ø5/16"*3/4")	8 Pcs
Footboard	1 Pc	I  Wood Screw (M4*1")	8 Pcs
Support legs (for center rail)	2 Pcs	J  Allen Wrench (4 mm)	1 Pc
Support leg (for pedestal)	3 Pcs	HARDWARE PACK For -402	
Decking	4 Pcs	K  Wood Screw (M4*1")	8 Pcs
Center Rail	1 Pc	L  Allen Wrench (4mm)	1 Pc

**SAFETY WARNING:**

ALL beds need to be set up in the exact final location so that after full assembly it will not need to be moved. Moving the bed will cause the support legs to move out of the perpendicular (90 degree) and weaken the support system and may allow the bed to collapse.



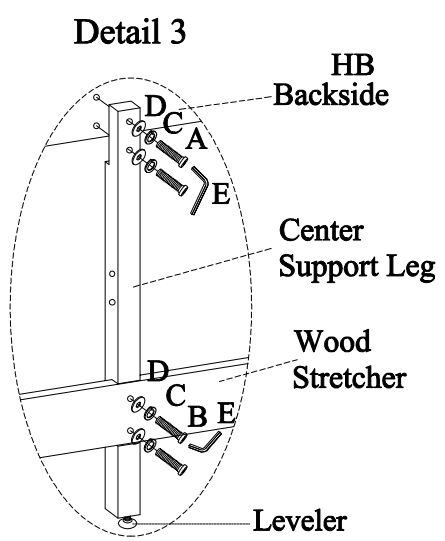
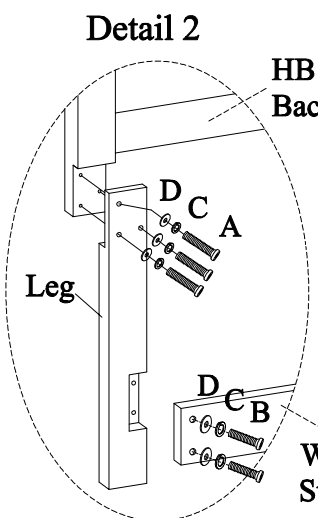
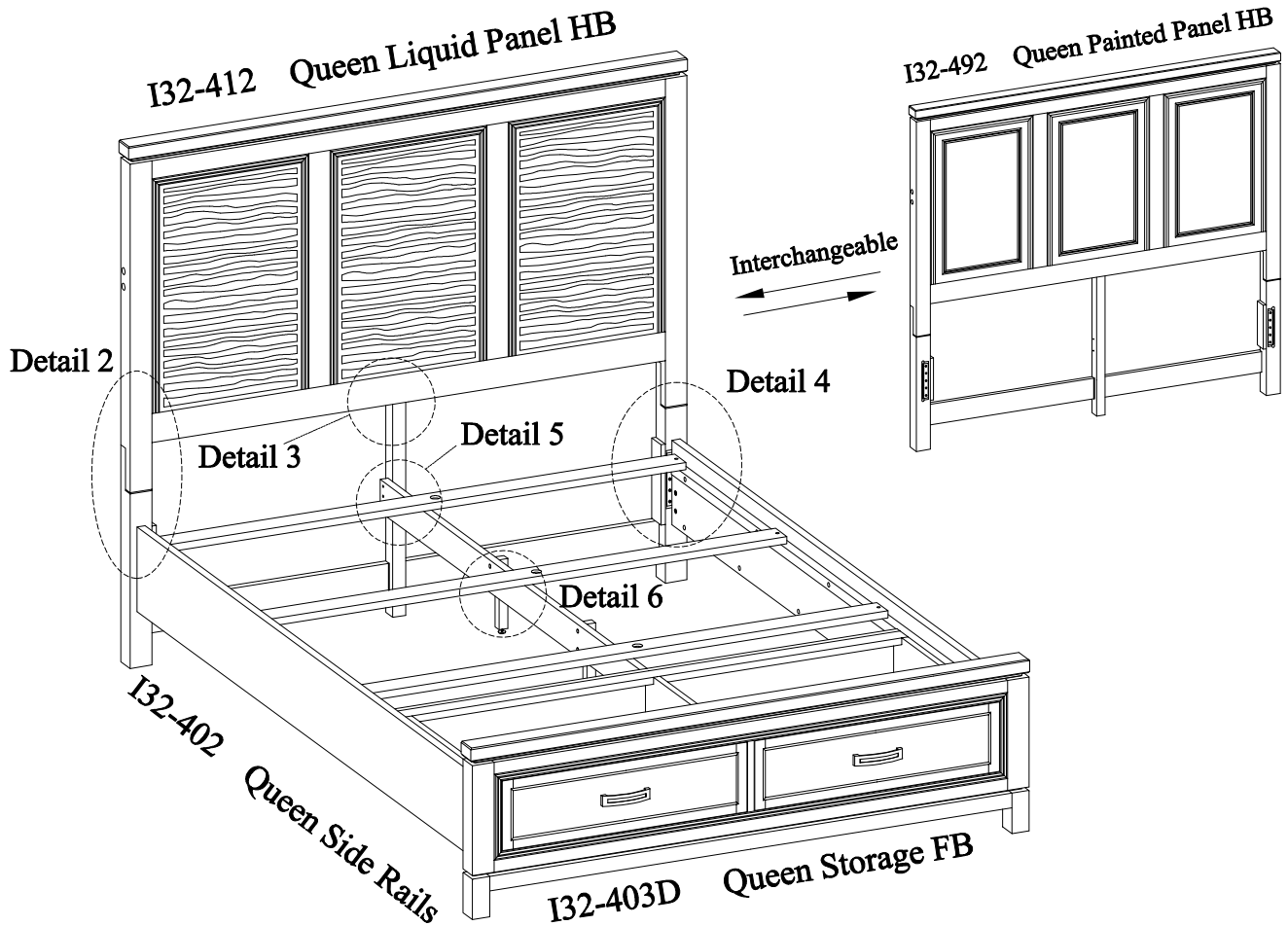
# ASSEMBLY INSTRUCTIONS



## aspenhome®

Distributed by Furniture Values International, LLC

ITEM NO: I32-412/403D/402 Queen Liquid Panel Storage Bed  
I32-492/403D/402 Queen Painted Panel Storage Bed



MADE IN VIETNAM

# ASSEMBLY INSTRUCTIONS

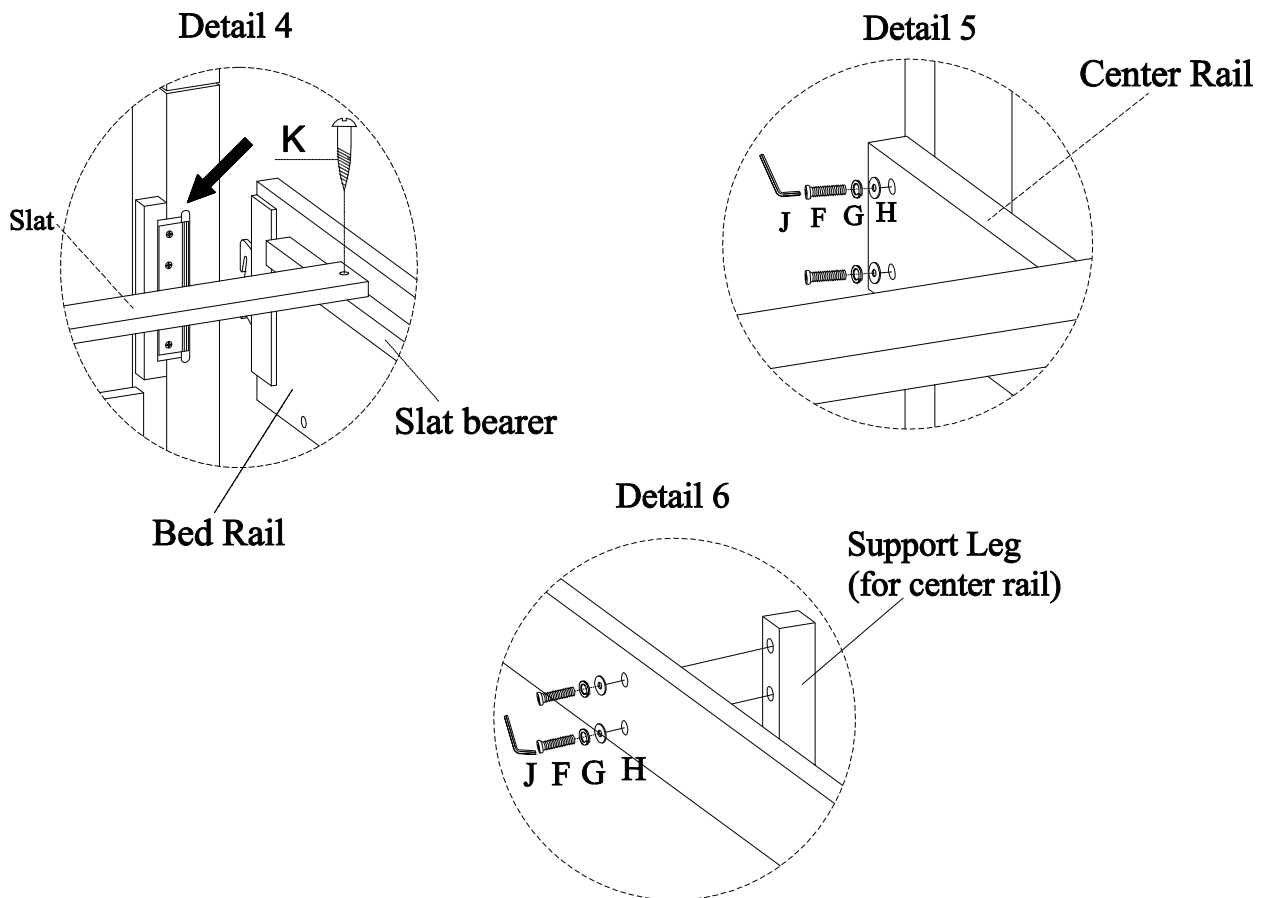
Page 3/4



## aspenhome®

Distributed by Furniture Values International, LLC

ITEM NO: I32-412/403D/402 Queen Liquid Panel Storage Bed  
I32-492/403D/402 Queen Painted Panel Storage Bed



### Assembly Steps:

1. Assemble support legs (for pedestal) to footboard. See detail 1.
2. Attach legs to headboard using 6 bolts A, and attach wood stretcher to the legs using 2 bolts B as shown in detail 2. Then attach center support leg to the headboard using 2 bolts A and to the wood stretcher using 2 bolts B. See detail 3. Use an Allen Wrench to tighten all the bolts.
3. Hook the side rails to the headboard and footboard as shown in detail 4.
4. Assemble center rail to the headboard center support leg and footboard using 4 bolts F, see detail 5.
5. Assemble 2 support legs (for center rail) to the center rail using 4 bolts F, see detail 6.
6. Locate the slats on the slat bearers with proper distance. Then attach the slats to the slat bearers with wood screws (K), as shown in detail 4.
7. Adjust the levelers on bottom of support legs when necessary.
8. Put the decking on the bed, secure decking to the slats with wood screws (I) through the pre-drilled holes in the decking as shown above.

MADE IN VIETNAM

DATE: 2015-09-08

# ASSEMBLY INSTRUCTIONS

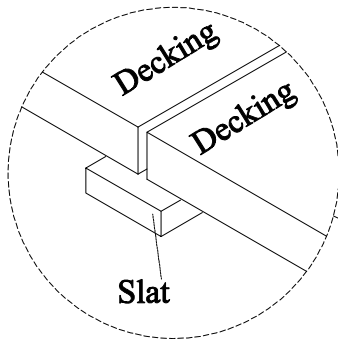


# aspenhome®

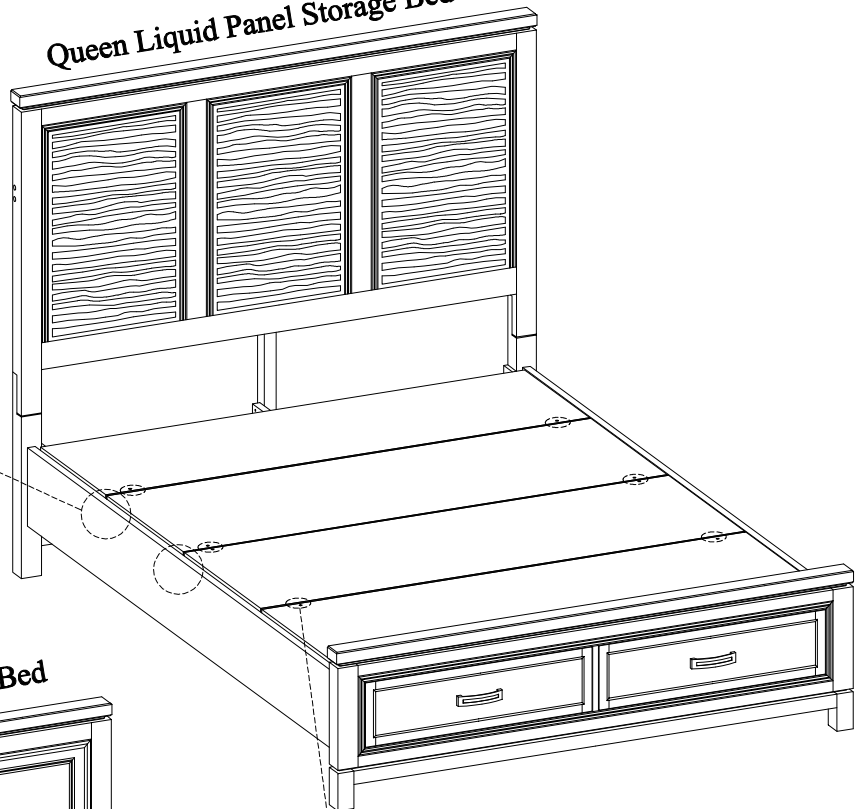
Distributed by Furniture Values International, LLC

ITEM NO: I32-412/403D/402 Queen Liquid Panel Storage Bed  
I32-492/403D/402 Queen Painted Panel Storage Bed

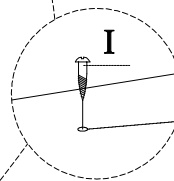
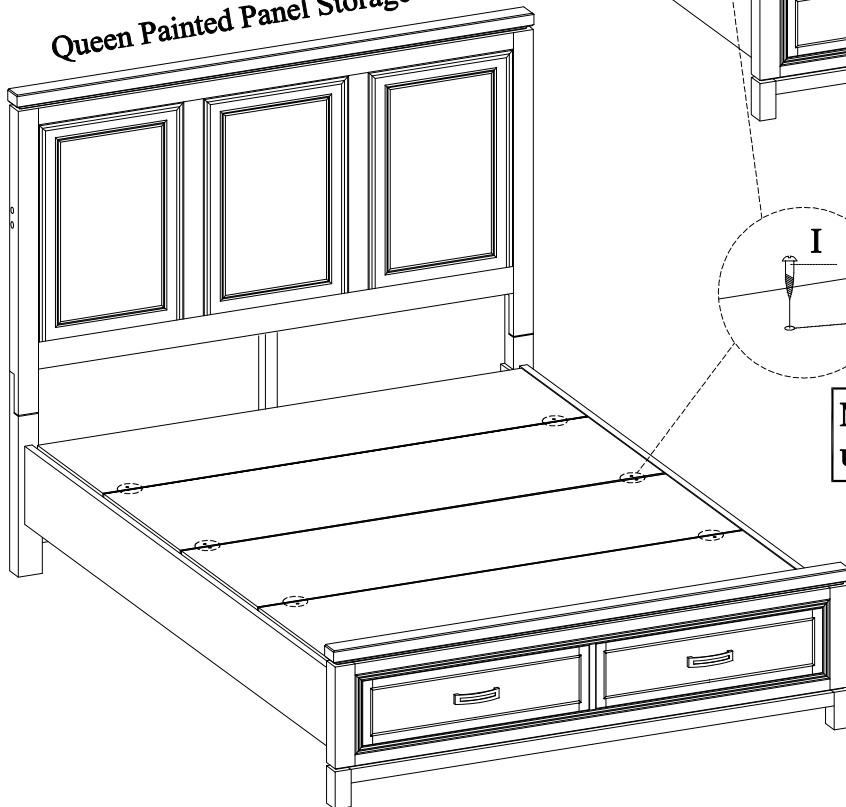
The slat should support both pieces of decking.



Queen Liquid Panel Storage Bed



Queen Painted Panel Storage Bed



Pre-drilled hole

Make sure that there is a slat under the pre-drilled hole.








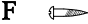

# ASSEMBLY INSTRUCTIONS



## aspenhome®

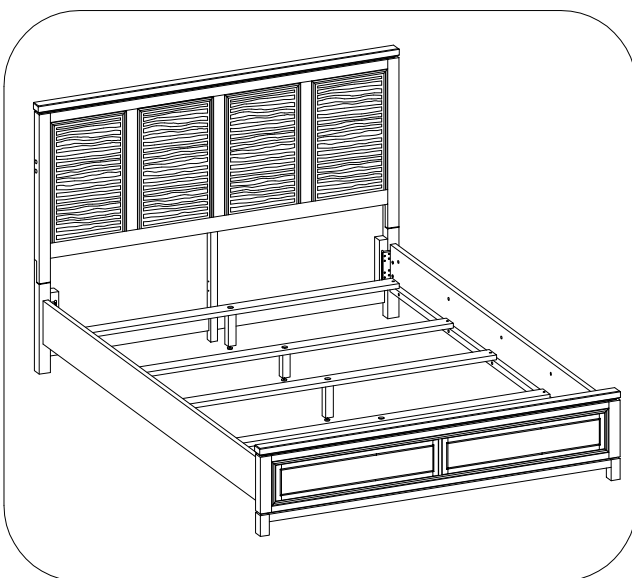
Distributed by Furniture Values International, LLC

**ITEM NO: I32-415/407/406 & 415/407/410 King/Cal King Liquid Panel LP Bed**  
**I32-495/407/406 & 495/407/410 King/Cal King Painted Panel LP Bed**

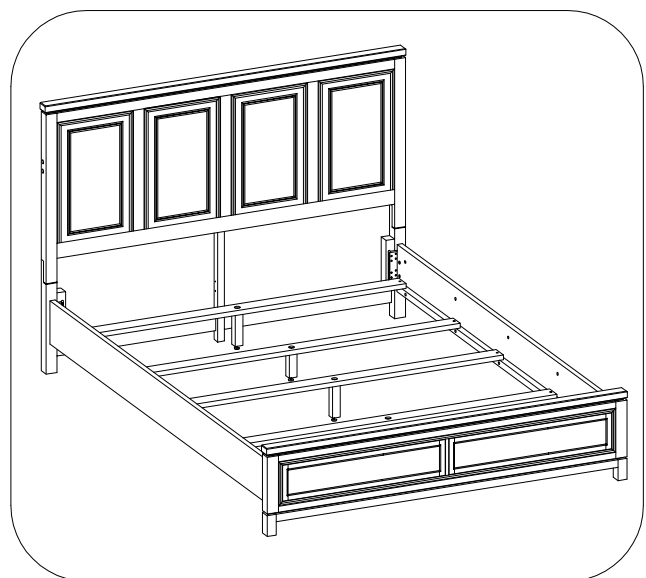
COMPONENTS LIST -415/495		HARDWARE PACK For -415/495	
Headboard	1 Pc	A  Bolt (Ø5/16"*2")	8 Pcs
Left Leg	1 Pc	B  Bolt (Ø5/16"*1-1/2")	6 Pcs
Right Leg	1 Pc	C  Lock Washer (Ø5/16")	14 Pcs
Wood Stretcher	1 Pc	D  Flat Washer (Ø5/16"*3/4")	14 Pcs
Center Support Leg	1 Pc	E  Allen Wrench (4mm)	1 Pc
COMPONENTS LIST -407		HARDWARE PACK For -406/410	
Footboard	1 Pc	F  Wood Screw (M4*1")	10 Pcs
Support legs (for slats)	5 Set	G  Allen Wrench (4mm)	1 Pc
COMPONENTS LIST -406			
Bed rails	2 Pcs		
Slats	5 Pcs		
COMPONENTS LIST -410			
Bed rails	2 Pcs		
Slats	5 Pcs		
Center Rail (long)	1 Pc		
Magnetic Plate	4 Pcs		

### SAFETY WARNING:

ALL beds need to be set up in the exact final location so that after full assembly it will not need to be moved. Moving the bed will cause the support legs to move out of the perpendicular (90 degree) and weaken the support system and may allow the bed to collapse.



King/Cal King Liquid Panel LP Bed



King/Cal King Painted Panel LP Bed



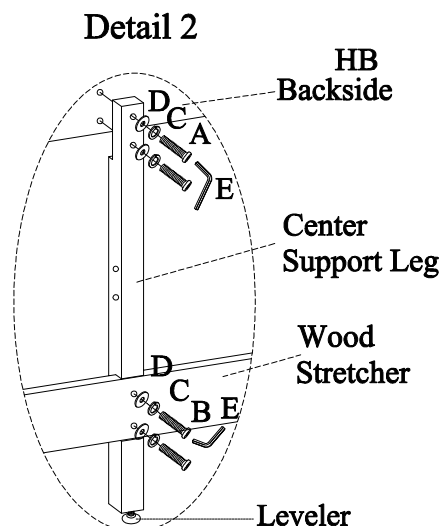
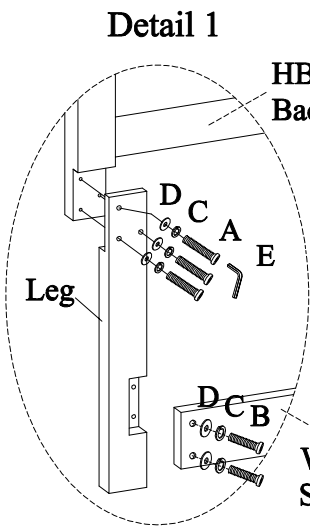
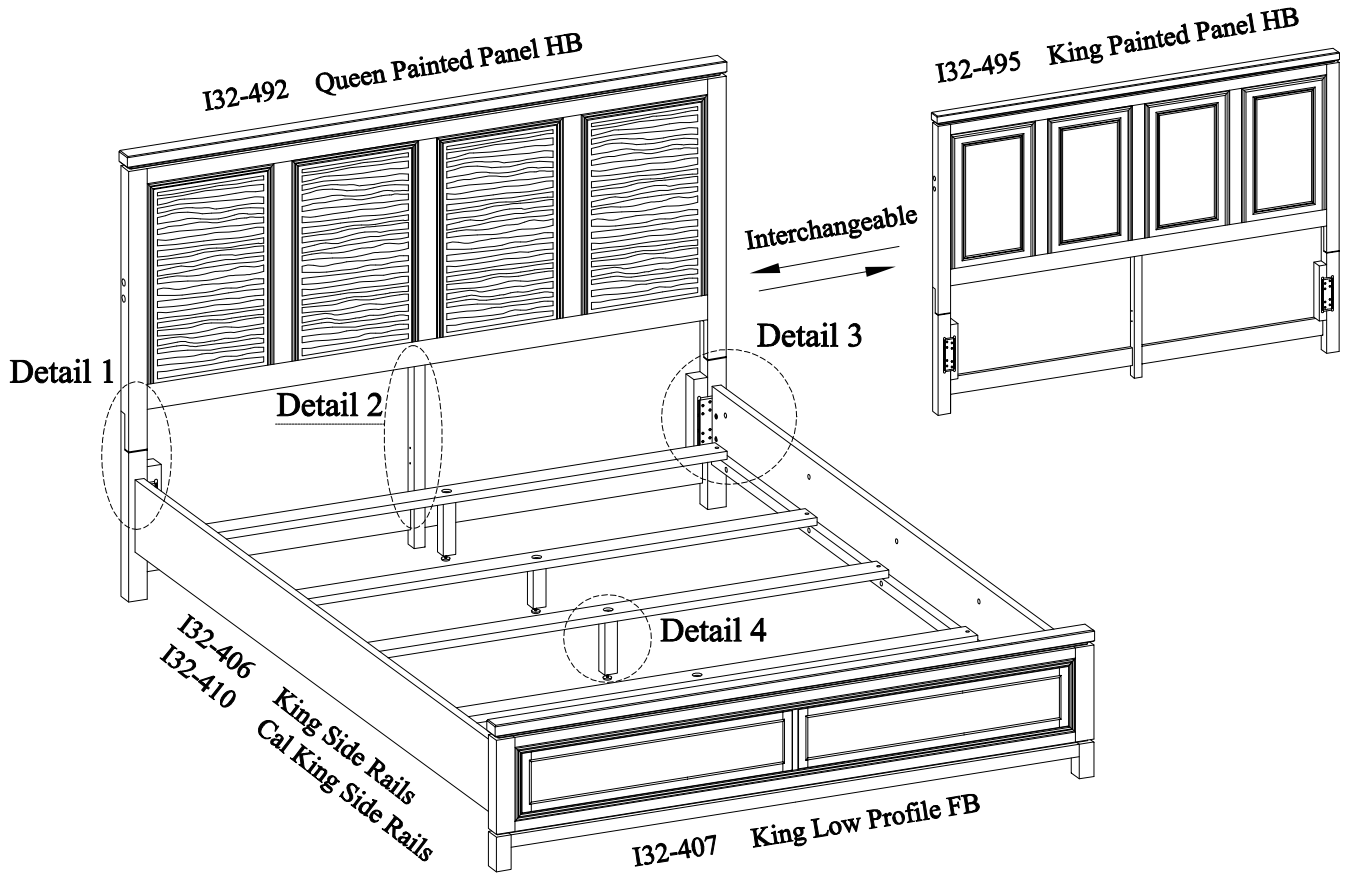
# ASSEMBLY INSTRUCTIONS



## aspenhome®

Distributed by Furniture Values International, LLC

ITEM NO: I32-415/407/406 & 415/407/410 King/Cal King Liquid Panel LP Bed  
I32-495/407/406 & 495/407/410 King/Cal King Painted Panel LP Bed



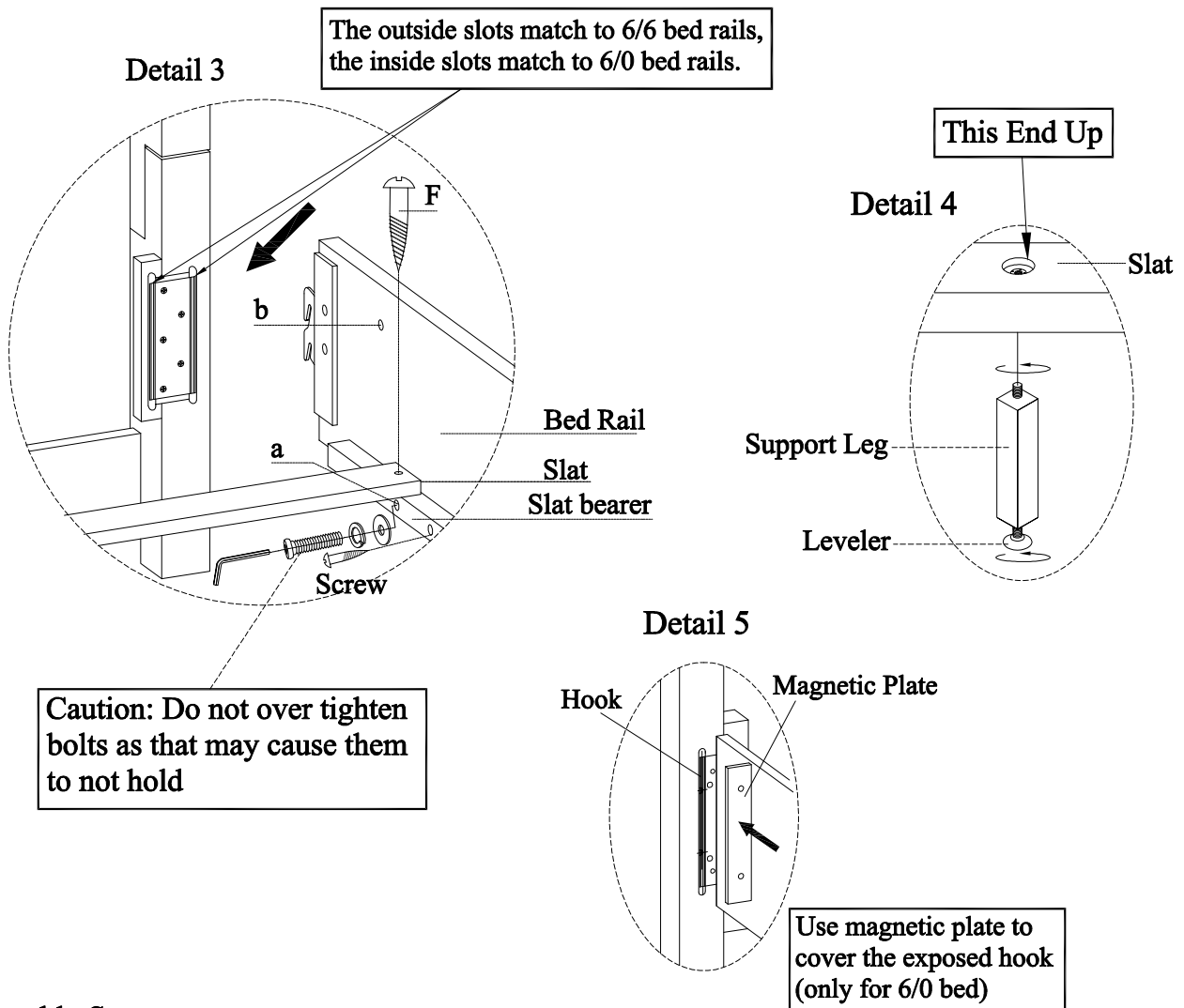
MADE IN VIETNAM



## aspenhome®

Distributed by Furniture Values International, LLC

ITEM NO: I32-415/407/406 & 415/407/410 King/Cal King Liquid Panel LP Bed  
I32-495/407/406 & 495/407/410 King/Cal King Painted Panel LP Bed



### Assembly Steps:

1. Attach legs to headboard using 6 bolts A, and attach wood stretcher to the legs using 2 bolts B as shown in detail 1. Then attach center support leg to the headboard using 2 bolts A and to the wood stretcher using 2 bolts B. Use an Allen Wrench to tighten all the bolts. See detail 2.
2. The slat bearers have been attached in the position b. You have to move your slat bearers in to position a. Remove the bolts (10pcs) and screws (8pcs) from the slat bearers to the side rails. Then re-attach the slat bearers to the side rails with bolts, lock washers, flat washers and screws. See detail 3.
3. Hook the side rails to the headboard and footboard as shown in detail 3.
4. Assemble the support legs with leveler to the slats as shown in detail 4, and attach the slats to the slat bearer equally with wood screws (F), as shown in detail 3. Adjust the levelers on bottom of support legs when necessary.

# ASSEMBLY INSTRUCTIONS



## aspenhome®

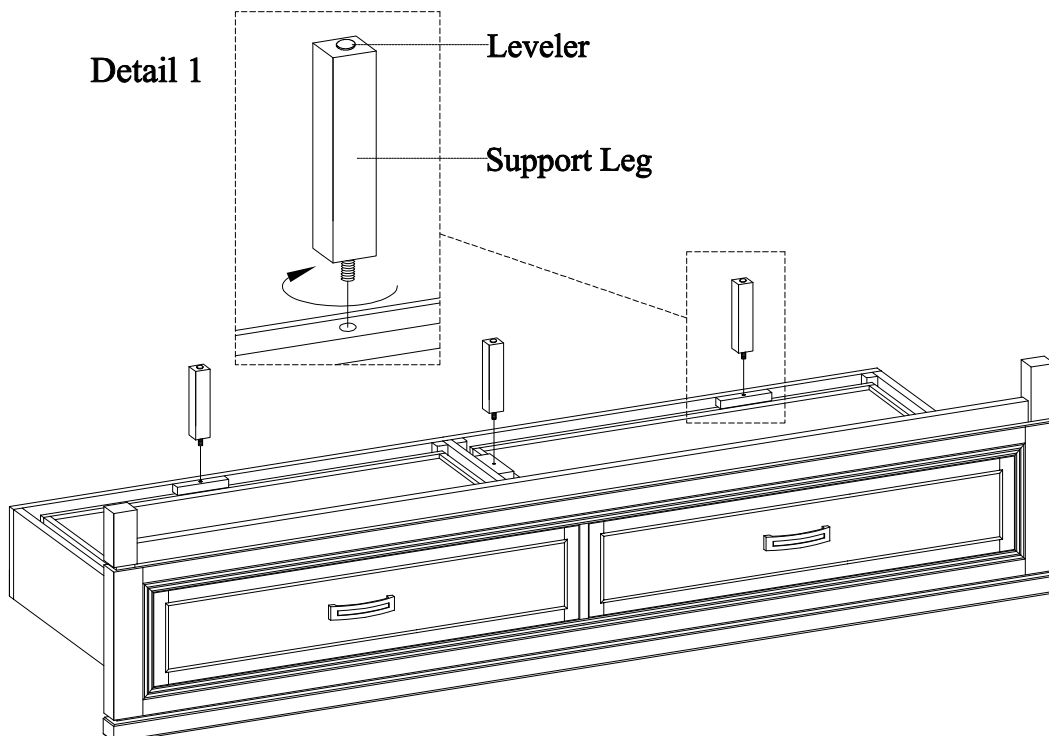
Distributed by Furniture Values International, LLC

ITEM NO: I32-415/407D/406 & 415/407D/410 King/Cal King Liquid Panel Storage Bed  
I32-495/407D/406 & 495/407D/410 King/Cal King Painted Panel Storage Bed

COMPONENTS LIST -415/495		HARDWARE PACK For -415/495	
Headboard	1 Pc	A  Bolt (Ø5/16" *2")	8 Pcs
Left Leg	1 Pc	B  Bolt (Ø5/16" *1-1/2")	6 Pcs
Right Leg	1 Pc	C  Lock Washer (Ø5/16")	14 Pcs
Wood Stretcher	1 Pc	D  Flat Washer (Ø5/16" *3/4")	14 Pcs
Center Support Leg	1 Pc	E  Allen Wrench (4mm)	1 Pc
COMPONENTS LIST -406		HARDWARE PACK For -407D	
Bed rails	2 Pcs	F  Bolt (Ø5/16" *1-1/2")	8 Pcs
Slats	5 Pcs	G  Lock Washer (Ø5/16")	8 Pcs
COMPONENTS LIST -410		H  Flat Washer (Ø5/16" *3/4")	8 Pcs
Bed rails	2 Pcs	I  Wood Screw (M4*1")	6 Pcs
Slats	5 Pcs	J  Allen Wrench (4 mm)	1 Pc
Center Rail (long)	1 Pc	HARDWARE PACK For -406/410	
Magnetic Plate	4 Pcs	K  Wood Screw (M4*1")	10 Pcs
COMPONENTS LIST -407D		L  Allen Wrench (4mm)	1 Pc
Footboard	1 Pc		
Support legs (for center rail)	2 Pcs		
Support leg (for pedestal)	3 Pcs		
Decking	3 Pcs		
Decking (Filler)	2 Pcs		
Center Rail (short)	1 Pc		

### SAFETY WARNING:

ALL beds need to be set up in the exact final location so that after full assembly it will not need to be moved. Moving the bed will cause the support legs to move out of the perpendicular (90 degree) and weaken the support system and may allow the bed to collapse.



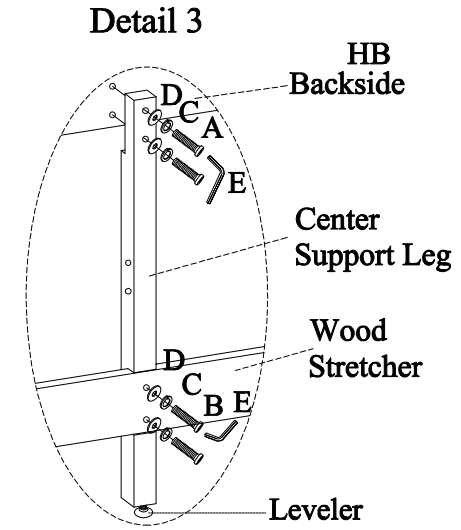
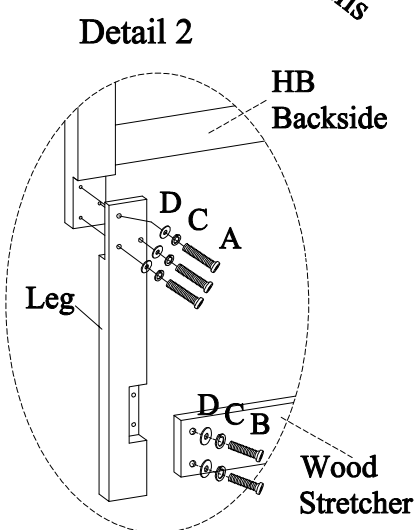
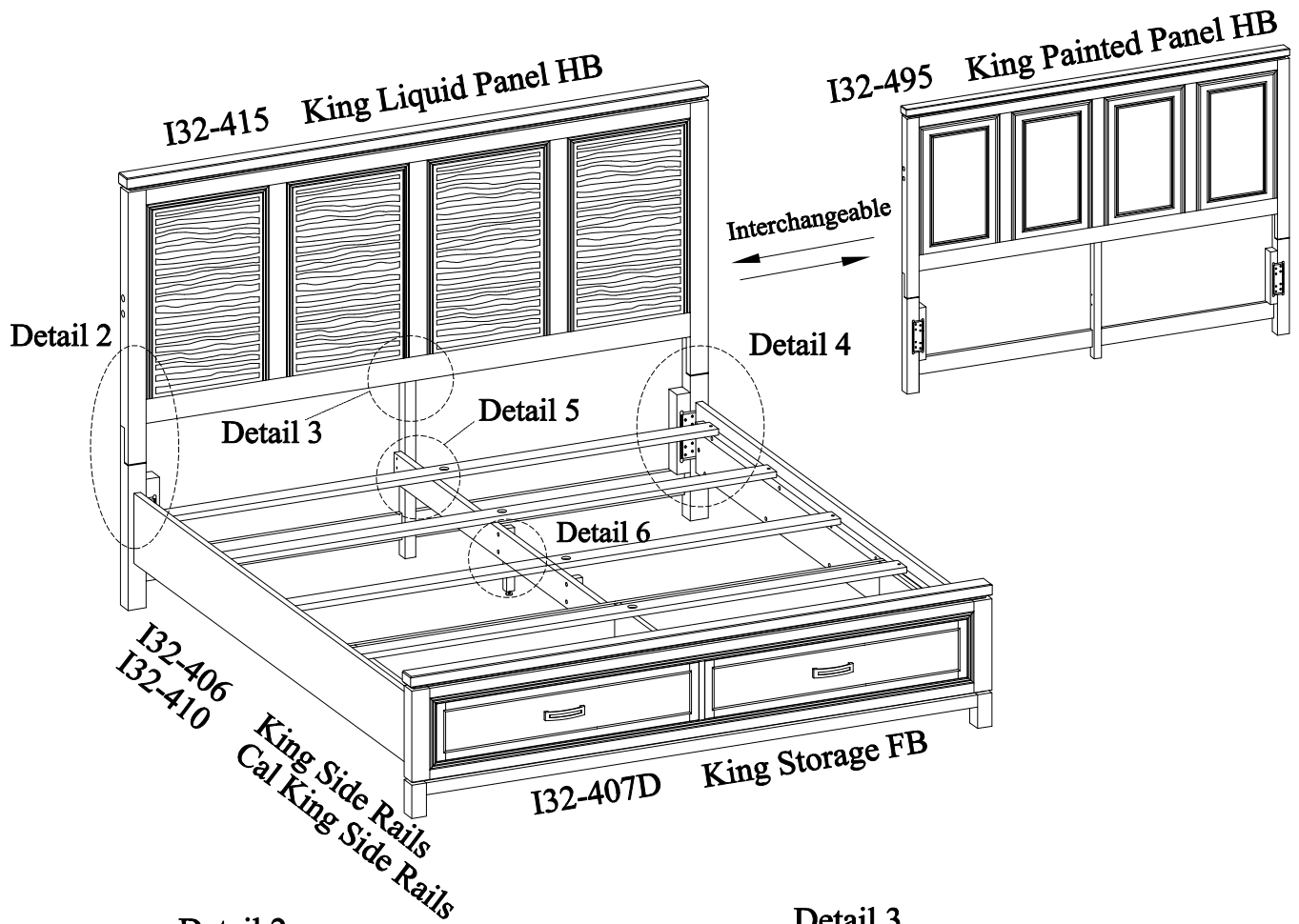
# ASSEMBLY INSTRUCTIONS



## aspenhome®

Distributed by Furniture Values International, LLC

ITEM NO: I32-415/407D/406 & 415/407D/410 King/Cal King Liquid Panel Storage Bed  
I32-495/407D/406 & 495/407D/410 King/Cal King Painted Panel Storage Bed



MADE IN VIETNAM

# ASSEMBLY INSTRUCTIONS

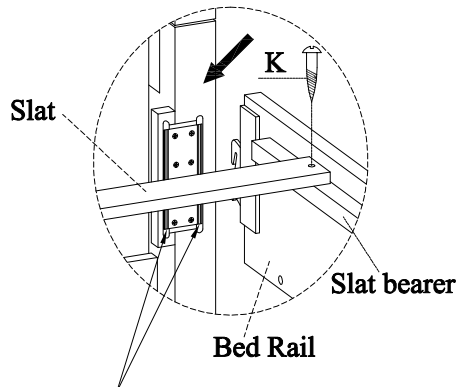


## aspenhome®

Distributed by Furniture Values International, LLC

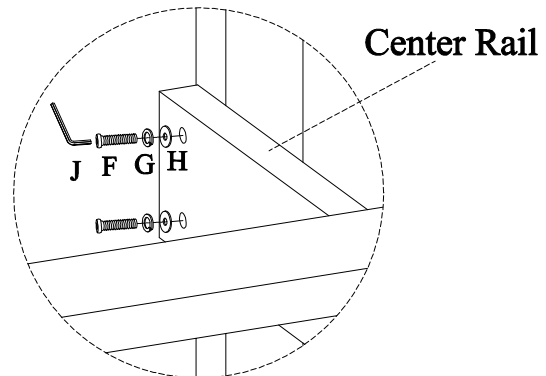
ITEM NO: I32-415/407D/406 & 415/407D/410 King/Cal King Liquid Panel Storage Bed  
I32-495/407D/406 & 495/407D/410 King/Cal King Painted Panel Storage Bed

Detail 4

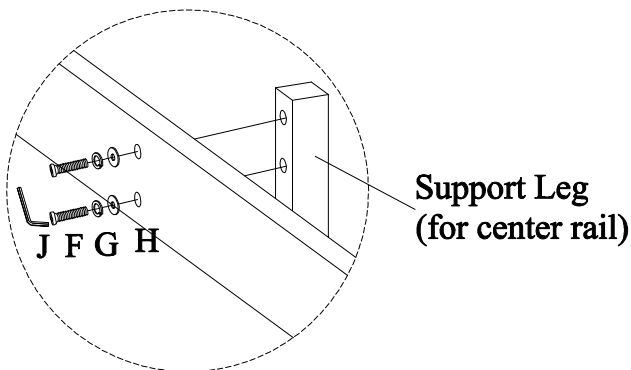


The outside slots match to 6/6 bed rails, the inside slots match to 6/0 bed rails.

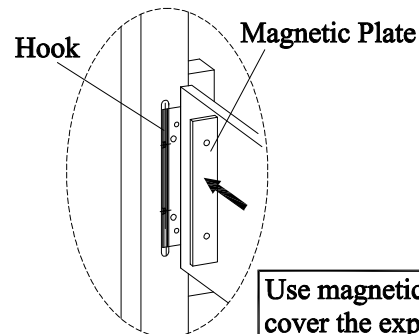
Detail 5



Detail 6



Detail 7



Use magnetic plate to cover the exposed hook (only for 6/0 bed)

### Assembly Steps:

1. Assemble support legs (for pedestal) to footboard. See detail 1.
2. Attach legs to headboard using 6 bolts A, and attach wood stretcher to the legs using 2 bolts B as shown in detail 2. Then attach center support leg to the headboard using 2 bolts A and to the wood stretcher using 2 bolts B. See detail 3. Use an Allen Wrench to tighten all the bolts.
3. Hook the side rails to the headboard and footboard as shown in detail 4 .
4. Assemble center rail to the headboard center support leg and footboard using 4 bolts F, see detail 5.
5. Assemble 2 support legs (for center rail) to the center rail using 4 bolts F, see detail 6.
6. Locate the slats on the slat bearers with proper distance. Then attach the slats to the slat bearers with wood screws K, as shown in detail 4 .
7. Adjust the levelers on bottom of support legs when necessary.
8. Put the decking on the bed, secure decking to the slats with wood screws (I) through the pre-drilled holes in the decking as shown above. When the filler is used in 6/0 Cal King bed, please use a utility knife to cut off the small piece and discard from the notch.

# ASSEMBLY INSTRUCTIONS

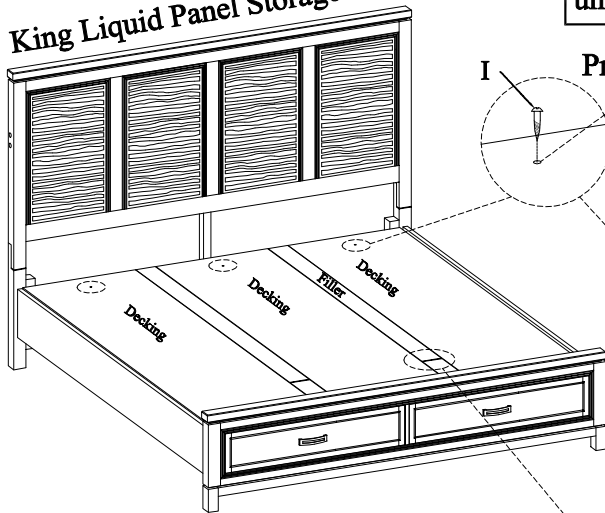


## aspenhome®

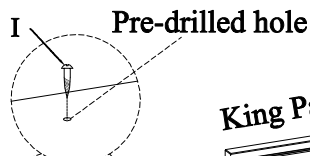
Distributed by Furniture Values International, LLC

ITEM NO: I32-415/407D/406 & 415/407D/410 King/Cal King Liquid Panel Storage Bed  
I32-495/407D/406 & 495/407D/410 King/Cal King Painted Panel Storage Bed

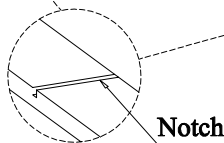
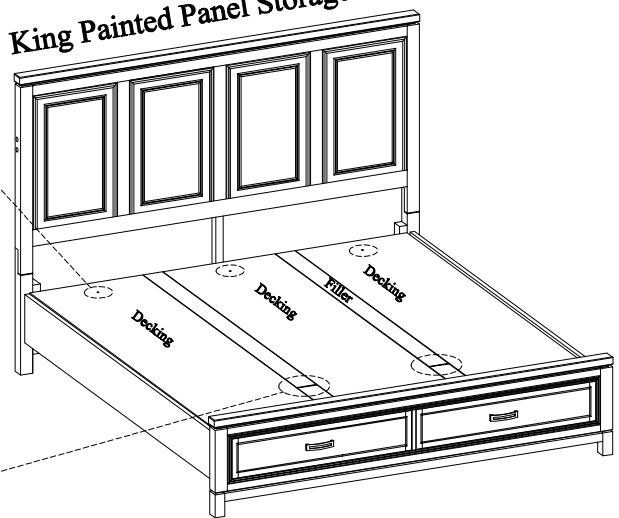
King Liquid Panel Storage Bed



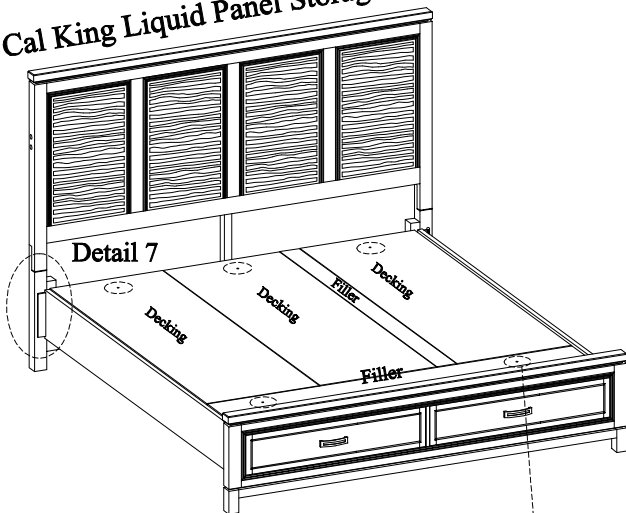
Make sure that there is a slat under the pre-drilled hole.



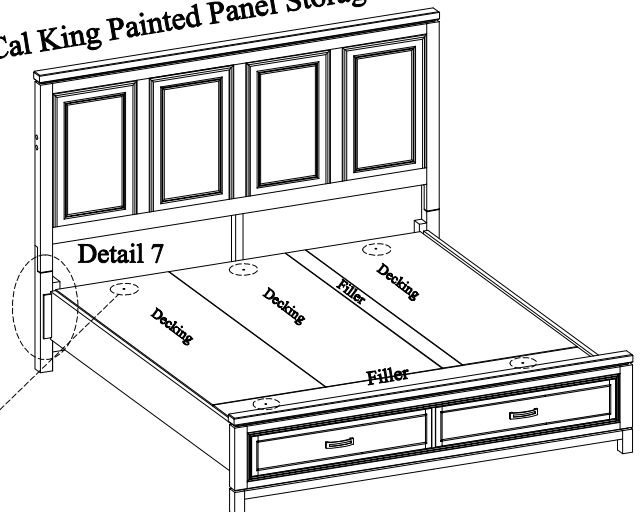
King Painted Panel Storage Bed



Cal King Liquid Panel Storage Bed



Cal King Painted Panel Storage Bed



Make sure that there is a slat under the pre-drilled hole.

