

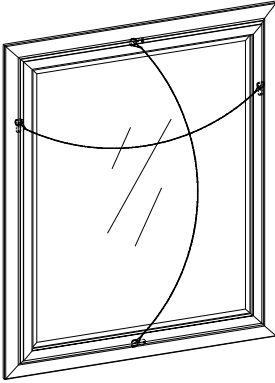


ITEM NO: I34-462-SNA Mirror

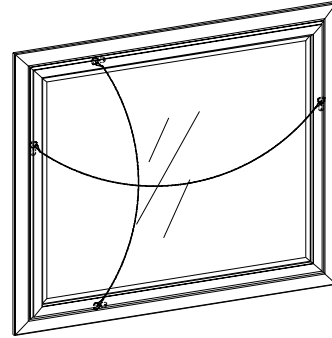
Thank you for purchasing this quality product. Be sure to check all packing material carefully for small parts that may come loose inside the cartan during shipment.

### Option 1: Wall Mount

A (Portrait)



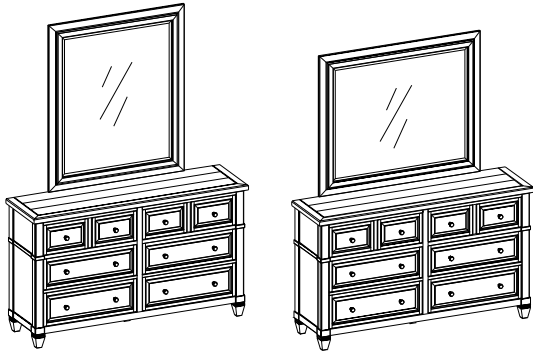
B (Landscape)



I34-462

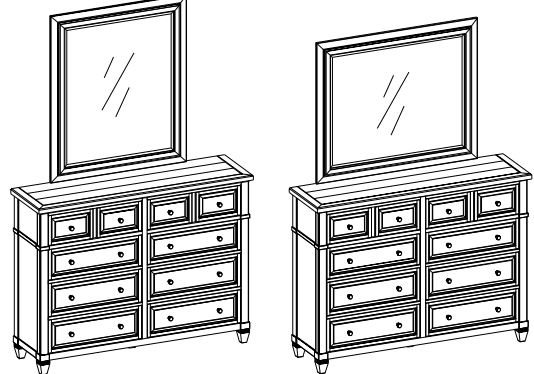
### Option 2: Dresser/Chesser Mount

I34-462



I34-453

I34-462



I34-455

#### HARDWARE LIST:

No.	Description	Sketch	Quantity
A	Bolt Ø1/4"*1-1/2"		8 PCS
B	Lock Washer Ø1/4"		8 PCS
C	Flat Washer Ø1/4" *3/4"		8 PCS
D	Allen Wrench 4mm		1 PC

#### TOOLS REQUIRED (NOT PROVIDED)

PHILLIPS SCREWDRIVER

#### COMPONENTS LIST:

No.	Description	Sketch	Quantity
1	Mirror		1 PC
2	Wood Strip		2 PCS

BEFORE USING THIS PRODUCT PLEASE READ, UNDERSTAND, AND FOLLOW THESE INSTRUCTIONS. Save these instructions for future reference.

FOR INDOOR USE ONLY

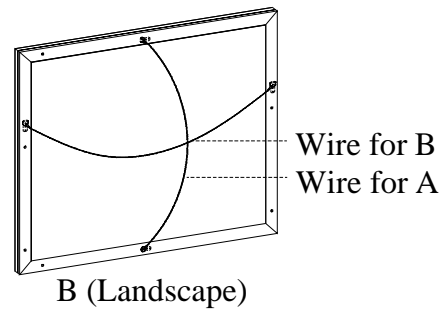
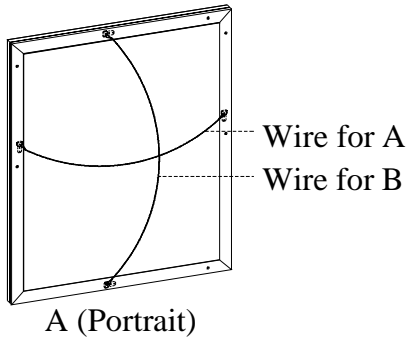


ITEM NO: I34-462-SNA Mirror

### FOR OPTION 1 (Wall Mount)

**STEP 1:** After attaching nail/hanger to wall, place wire over nail/hanger and slowly lower the mirror into place. Make sure the wire catches on the nail/hanger.

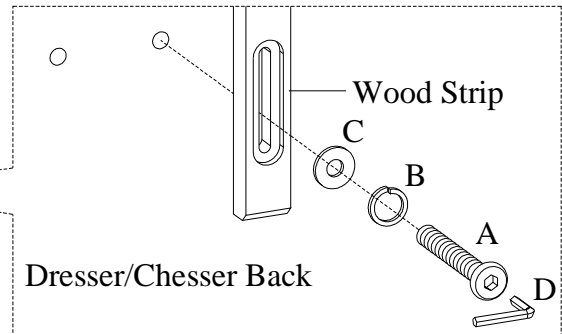
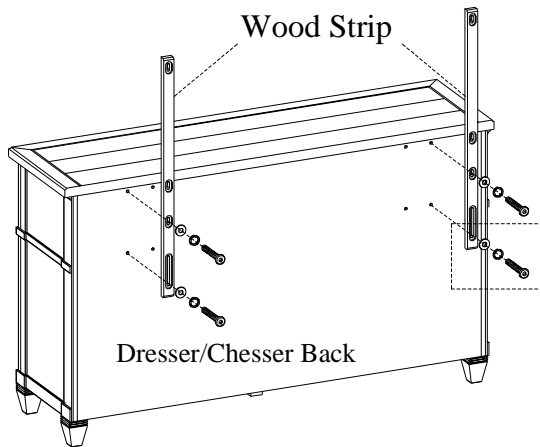
Note: Ensure the nail/hanger is in a wall stud or wall solid enough to support mirror.



### FOR OPTION 2 (Dresser/Chesser Mount)

**STEP 1:** Attach the wood strips to the dresser by using 4 bolts(A), lock washers(B), and flat washers(C). Do not tighten bolts completely.

Note: Use inside threaded inserts for position A (portrait) and outside threaded inserts for position B (landscape).



**STEP 2:** Attach the wood strips to the mirror by using 4 bolts(A), lock washers(B), and flat washers(C). Tighten all bolts on dresser and mirror with Allen wrench.

