

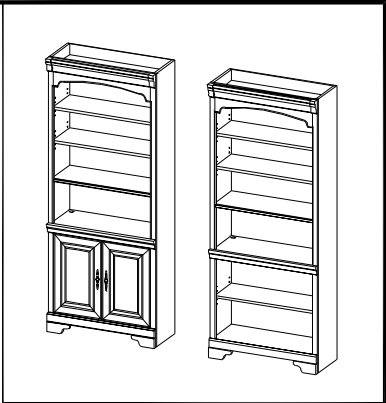
ASSEMBLY INSTRUCTIONS



aspenhome®

Distributed by Furniture Values International, LLC

ITEM NO: I40-332 & 333 Door Bookcase & Open Bookcase

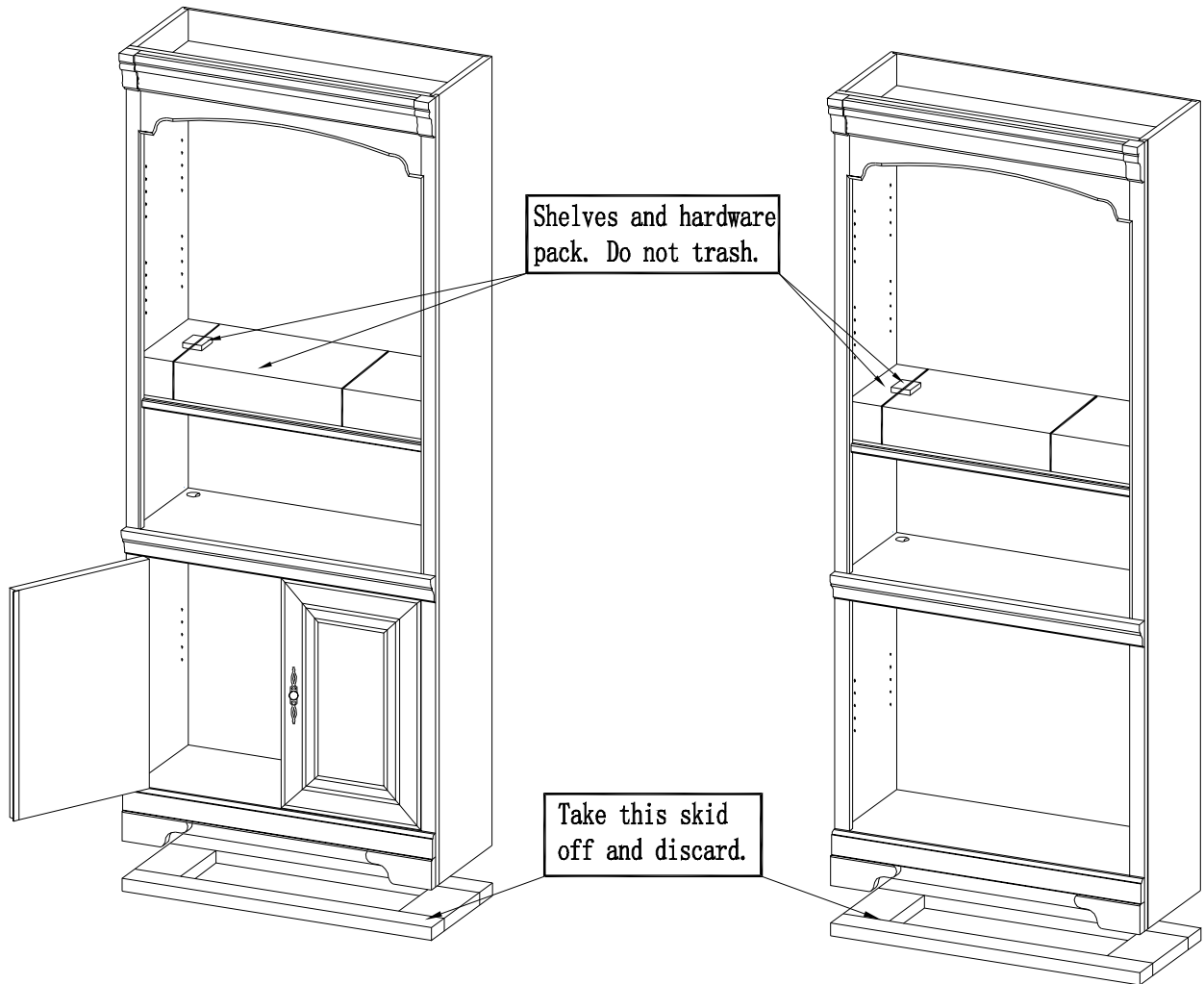


HARDWARE PACK

	Shelf Bracket	12 Pcs
	U bracket	1 Pc
	Long Screw	2 Pcs

COMPONENT LIST

Shelf	3 Pcs
-------	-------



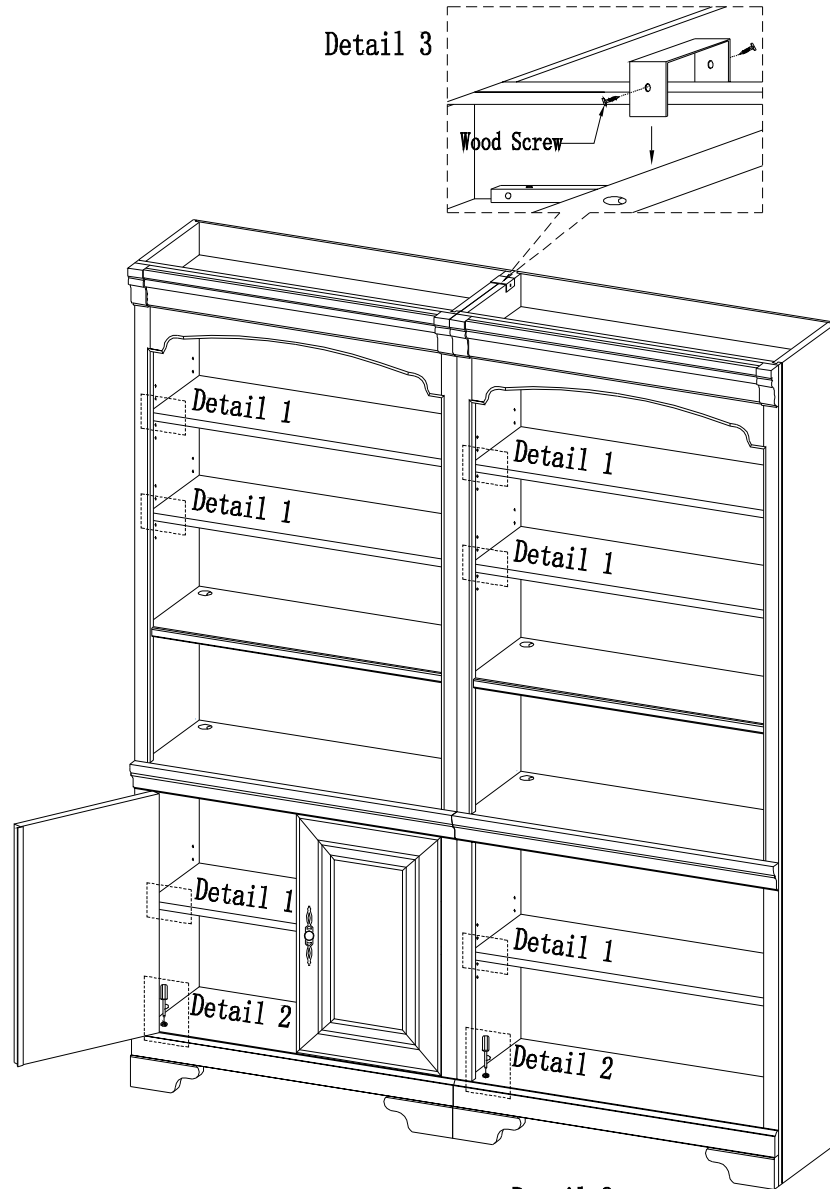
ASSEMBLY INSTRUCTIONS



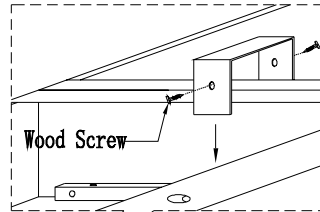
aspenhome®

Distributed by Furniture Values International, LLC

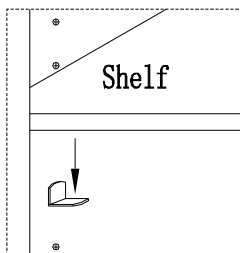
ITEM NO: I40-332 & 333 Door Bookcase & Open Bookcase



Detail 3



Detail 1



Detail 2

