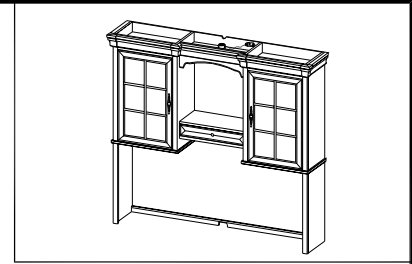


ASSEMBLY INSTRUCTIONS



aspenhome®

Distributed by Furniture Values International, LLC



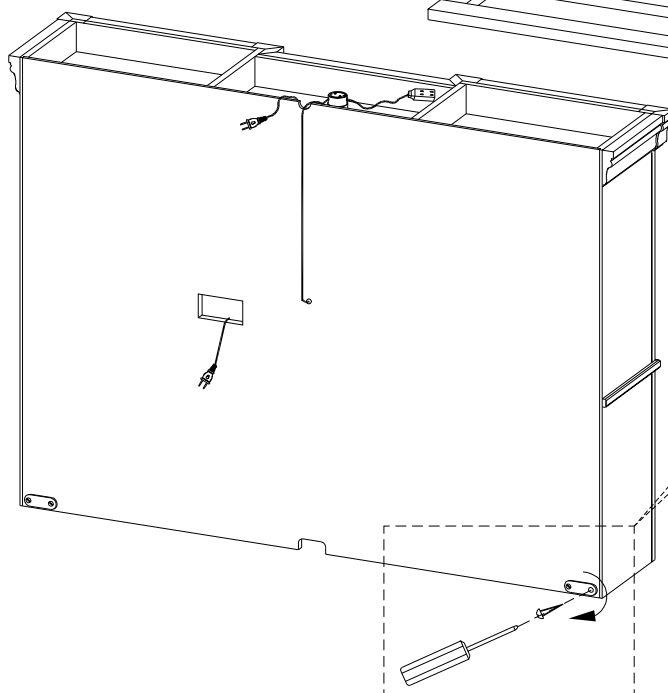
ITEM NO: I40-317-4 66" Credenza Hutch

HARDWARE PACK	
Shelf Bracket	16 Pcs

HARDWARE PACK	
Wood panel	2 Pcs
Glass Shelf	4 Pcs

Shelves, wood panels and hardware pack.
Do not trash.

Take this skid off and discard.



Detail 1

Touch light switch

Detail 1

Detail 2

Take off one screw from each mounting plate and swing it to the proper location on the base before resecuring it with the screw.

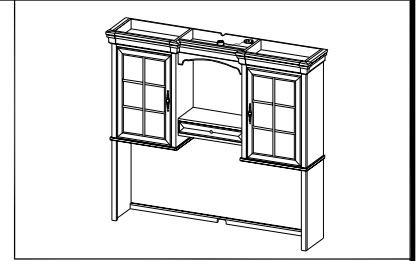
ASSEMBLY INSTRUCTIONS

ah

aspenhome®

Distributed by Furniture Values International, LLC

ITEM NO: I40-317-4 66" Credenza Hutch



1. Insert the shelf brackets into the holes in the side panels and place the glass shelves on as shown in detail 3.
2. Push the medallion to turn on or turn off and adjust the display lighting as shown in detail 1.
3. If you prefer to use the wood panels instead of the glass panels in the doors, start by removing the rubber strip behind the glass panel. Remove the glass panel and replace with wood panel. Re-insert the rubber strip by pushing the rubber strip into the door frame around the wood panel (as shown in detail 4).

