



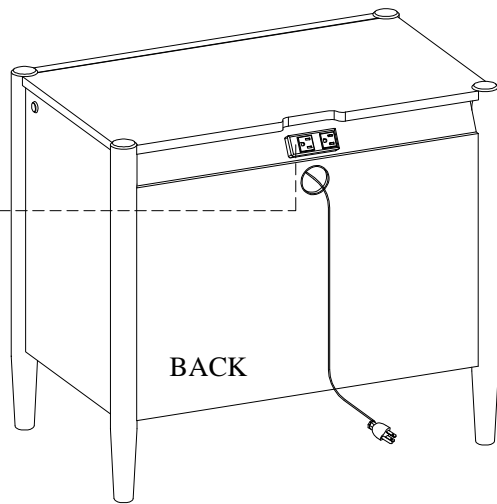
ITEM NO: I430-450    2 Drawer Liv360 Nightstand

Thank you for purchasing this quality product. Be sure to check all packing material carefully for small parts that may come loose inside the carton during shipment.



TOOLS REQUIRED (NOT PROVIDED)

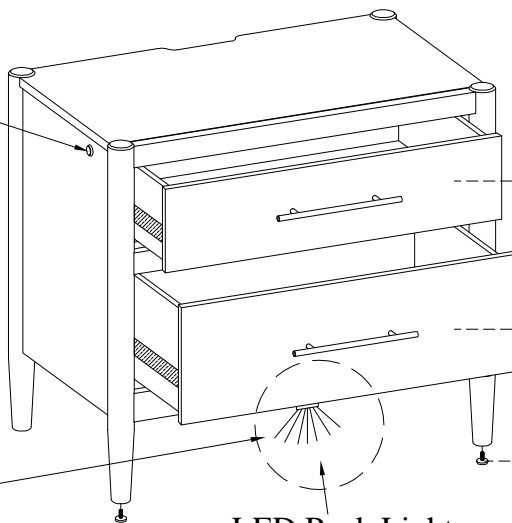
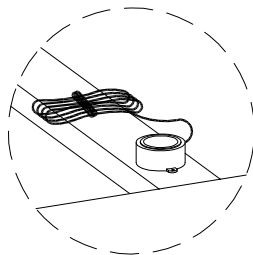
PHILLIPS SCREWDRIVER



### FUNCTIONALITY INSTRUCTION

Touch the touch switch on either side to turn on/off or adjust the lighting.

Remove the power cord from the bottom of the case. Remove the twist ties.



Felt-lined Top Drawer

Cedar-lined Bottom Drawer

Leveler on Front Legs

LED Puck Light

Adjust the leveler when necessary

BEFORE USING THIS PRODUCT PLEASE READ, UNDERSTAND, AND FOLLOW THESE INSTRUCTIONS. Save these instructions for future reference.

FOR INDOOR USE ONLY