



ITEM NO: I45-450 2 Drawer NS

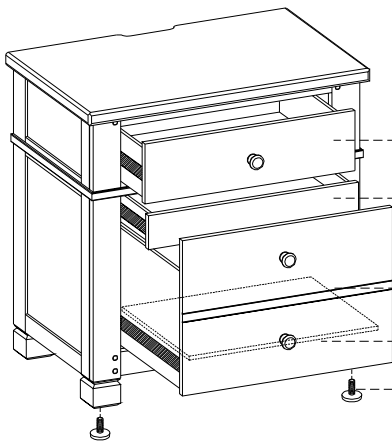
Thank you for purchasing this quality product. Be sure to check all packing material carefully for small parts that may come loose inside the carton during shipment.



TOOLS REQUIRED (NOT PROVIDED)

PHILLIPS SCREWDRIVER

FUNCTIONALITY INSTRUCTION



Felt-lined Top Drawer

Felt-lined Hidden Drawer

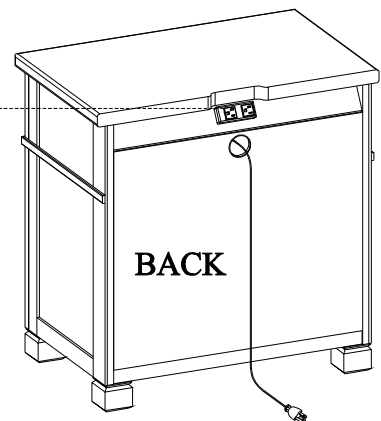
Hidden Storage Compartment

Cedar-lined Bottom Drawer

Leveler on front legs

Adjust the leveler when necessary

2 AC outlet Power Pack



BEFORE USING THIS PRODUCT PLEASE READ, UNDERSTAND, AND FOLLOW THESE INSTRUCTIONS. Save these instructions for future reference.

FOR INDOOR USE ONLY