

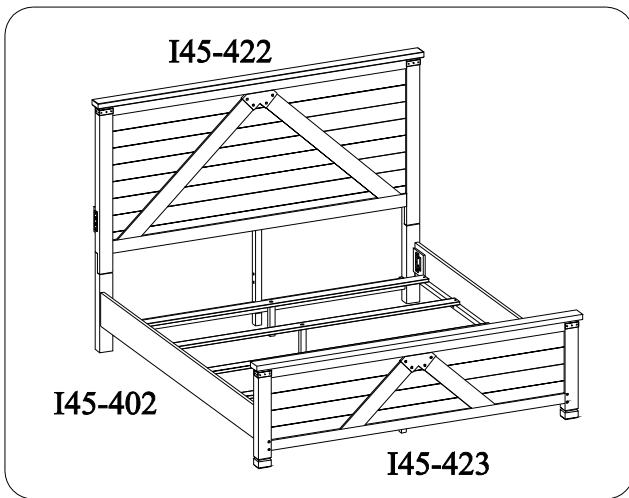


ITEM NO: I45-422    Queen Panel HB  
 I45-402    Queen Rails  
 I45-423    Queen Panel FB

Thank you for purchasing this quality product. Be sure to check all packing material carefully for small parts that may come loose inside the carton during shipment.



**UNIT SHOULD BE INSTALLED BY 2 OR MORE PERSONS.**



All Beds need to be set up in the exact final location so that after full assembly it will not need to be moved. Moving the bed will cause the support legs to move out of perpendicular (90 degree), weaken the support system, and may allow the bed to collapse.

<b>TOOLS REQUIRED (NOT PROVIDED)</b>
<b>PHILLIPS SCREWDRIVER</b>

HARDWARE LIST: I45-422			
No.	Description	Sketch	Quantity
A	Bolt Ø5/16"*2"		6 PCS
B	Bolt Ø5/16"*1-3/8"		7 PCS
C	Lock Washer Ø5/16"		13 PCS
D	Flat Washer Ø5/16" *3/4"		13 PCS
E	Allen Wrench 5mm		1 PC

COMPONENTS LIST: I45-422			
No.	Description	Sketch	Quantity
1	Headboard		1 PC
2	Left Leg		1 PC
3	Right Leg		1 PC
4	Wood Stretcher		1 PC
5	Center Support Leg		1 PC

HARDWARE LIST: I45-402			
No.	Description	Sketch	Quantity
F	Wood Screw M4*1-1/2"		8 PCS
G	Hanger Bolt Ø5/16"*3-1/2"		8 PCS
H	Lock Washer Ø5/16"		8 PCS
I	Flat washer 5/16 x 9/16"		8 PCS
J	Hex Nut Ø5/16"		8 PCS
K	Hex Wrench 12mm		1 PC

COMPONENTS LIST: I45-402			
No.	Description	Sketch	Quantity
1	Bed rails		2 PCS
2	Slats		4 PCS

COMPONENTS LIST: I45-423			
No.	Description	Sketch	Quantity
1	Footboard		1 PC
2	Support leg (for slats)		4 PCS

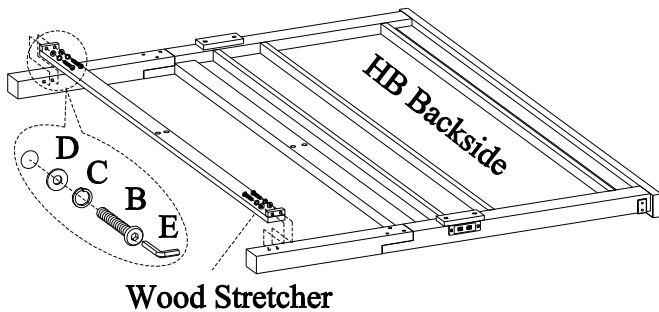
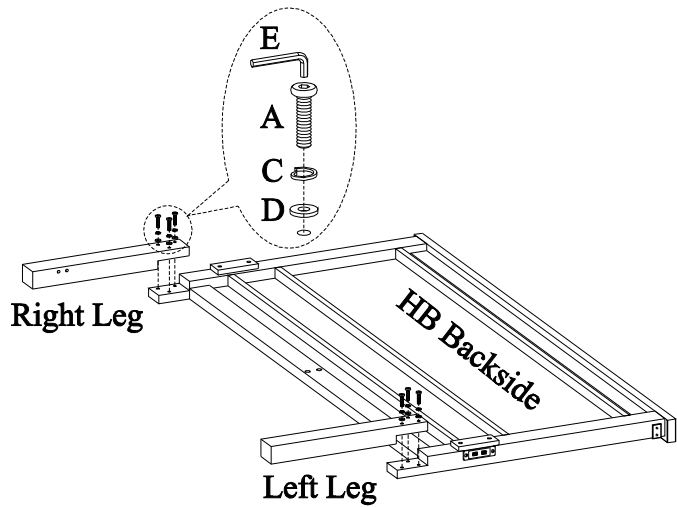
**BEFORE USING THIS PRODUCT PLEASE READ, UNDERSTAND, AND FOLLOW THESE INSTRUCTIONS. Save these instructions for future reference.**

**FOR INDOOR USE ONLY**



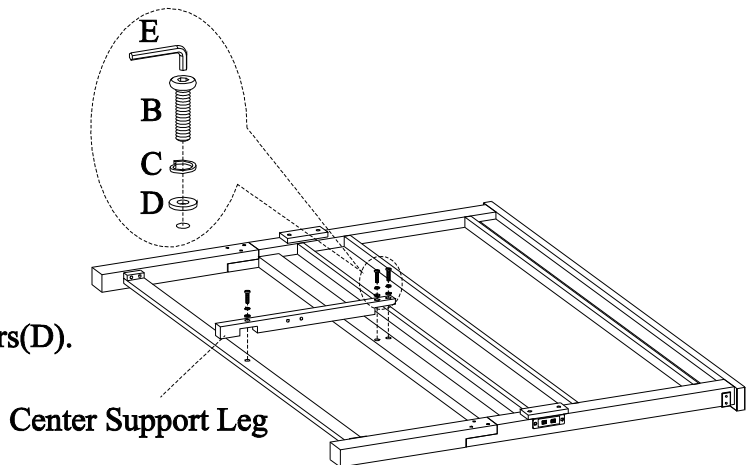
ITEM NO: I45-422    Queen Panel HB  
 I45-402    Queen Rails  
 I45-423    Queen Panel FB

**STEP 1:** Lay the headboard face down on a soft surface. Attach the left leg and right leg to headboard by using 6 bolts(A), lock washers(C) and flat washers(D).

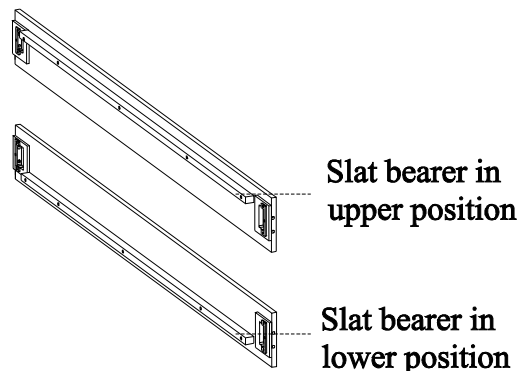


**STEP 2:** Attach the wood stretcher to the legs by using 4 bolts(B), lock washers(C) and flat washers(D).

**STEP 3:** Attach the center support leg to headboard and wood stretcher by using 3 bolts(B), lock washers(C) and flat washers(D).



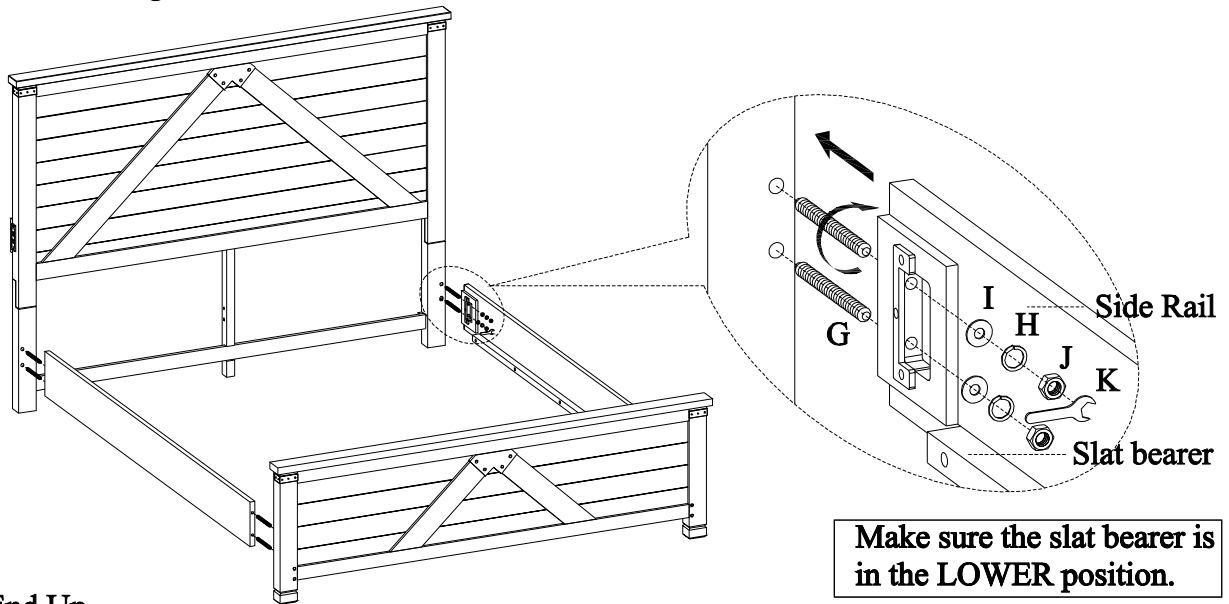
**STEP 4:** The side rails may be used on either side. Arrange the side rails so the slat bearers are in LOWER POSITION prior to attachment in STEP 5.



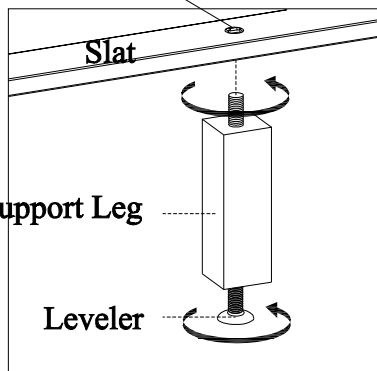


ITEM NO: I45-422    Queen Panel HB  
 I45-402    Queen Rails  
 I45-423    Queen Panel FB

**STEP 5:** Screw the bolts(G) into HB & FB. Align the bolts with the holes in the end of side rails and attach the side rails to HB & FB using flat washer(I), lock washers(H) and nuts (J). Then use a hex wrench to tighten all the nuts.

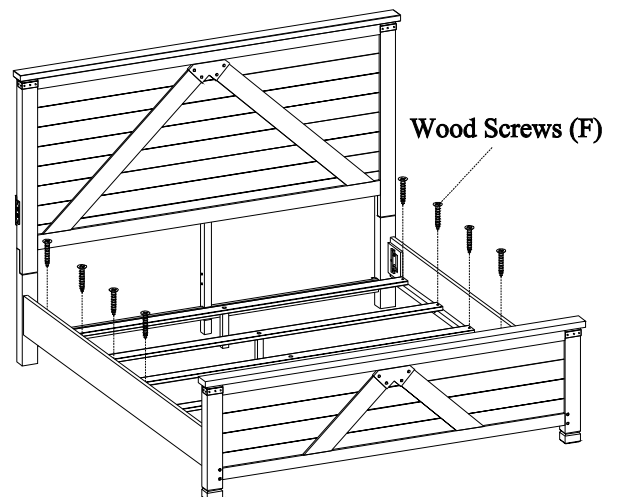


This End Up



**STEP 6:** Attach the support legs with leveler to the slats. Adjust the levelers on bottom of support legs when necessary.

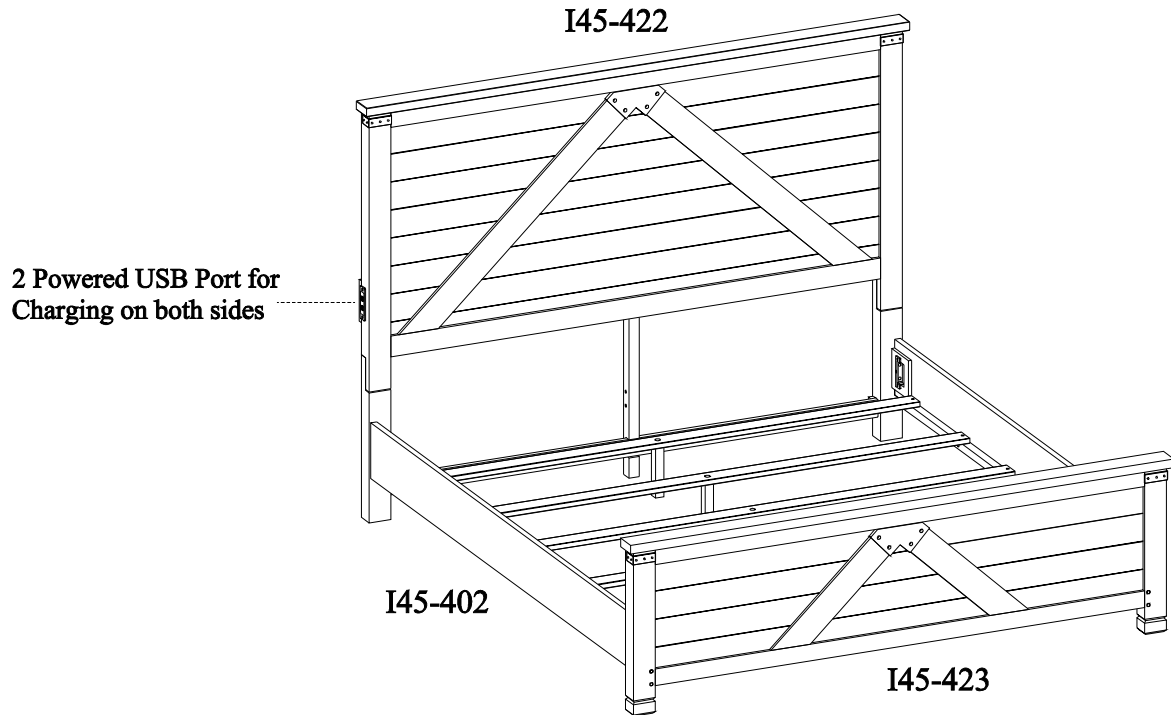
**STEP 7:** Arrange the slats on the slat bearers equally and attach to the slat bearers with wood screws (F).





ITEM NO: I45-422    Queen Panel HB  
I45-402    Queen Rails  
I45-423    Queen Panel FB

### FUNCTIONALITY INSTRUCTION



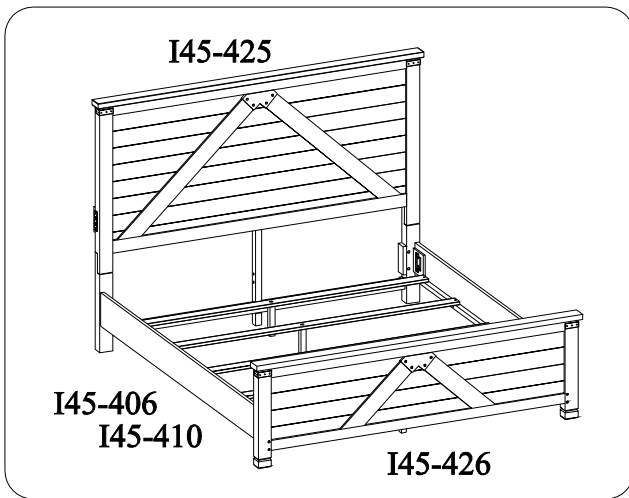


- ITEM NO: I45-425 King Panel HB
- I45-406 King Rails
- I45-410 Cal King Rails
- I45-426 King Panel FB

Thank you for purchasing this quality product. Be sure to check all packing material carefully for small parts that may come loose inside the carton during shipment.



**UNIT SHOULD BE INSTALLED BY 2 OR MORE PERSONS.**



All Beds need to be set up in the exact final location so that after full assembly it will not need to be moved. Moving the bed will cause the support legs to move out of perpendicular (90 degree), weaken the support system, and may allow the bed to collapse.

<b>TOOLS REQUIRED (NOT PROVIDED)</b>
PHILLIPS SCREWDRIVER
UTILITY KNIFE (FOR CAL KING)

**HARDWARE LIST: I45-425**

No.	Description	Sketch	Quantity
A	Bolt Ø5/16"*2"		6 PCS
B	Bolt Ø5/16"*1-3/8"		7 PCS
C	Lock Washer Ø5/16"		13 PCS
D	Flat Washer Ø5/16" *3/4"		13 PCS
E	Allen Wrench 5mm		1 PC

**HARDWARE LIST: I45-406/410**

No.	Description	Sketch	Quantity
F	Wood Screw M4*1-1/2"		10 PCS
G	Hanger Bolt Ø5/16"*3-1/2"		8 PCS
H	Lock Washer Ø5/16"		8 PCS
I	Flat washer 5/16 x 9/16"		8 PCS
J	Hex Nut Ø5/16"		8 PCS
K	Hex Wrench 12mm		1 PC

**COMPONENTS LIST: I45-425**

No.	Description	Sketch	Quantity
1	Headboard		1 PC
2	Left Leg		1 PC
3	Right Leg		1 PC
4	Wood Stretcher		1 PC
5	Center Support Leg		1 PC

**COMPONENTS LIST: I45-406**

No.	Description	Sketch	Quantity
1	Bed rails		2 PCS
2	Slats		5 PCS

**COMPONENTS LIST: I45-410**

No.	Description	Sketch	Quantity
1	Bed rails		2 PCS
2	Slats		5 PCS
3	Wood Cap		8 PCS

**COMPONENTS LIST: I45-426**

No.	Description	Sketch	Quantity
1	Footboard		1 PC
2	Support leg (for slats)		5 PCS

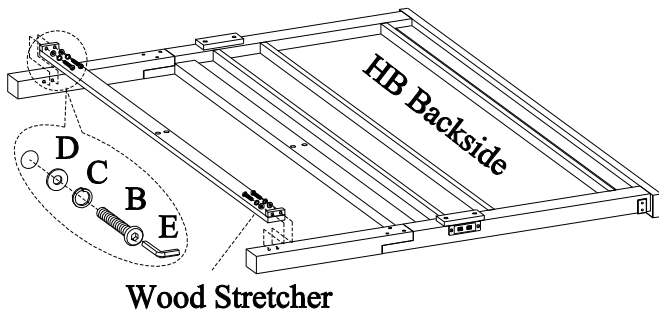
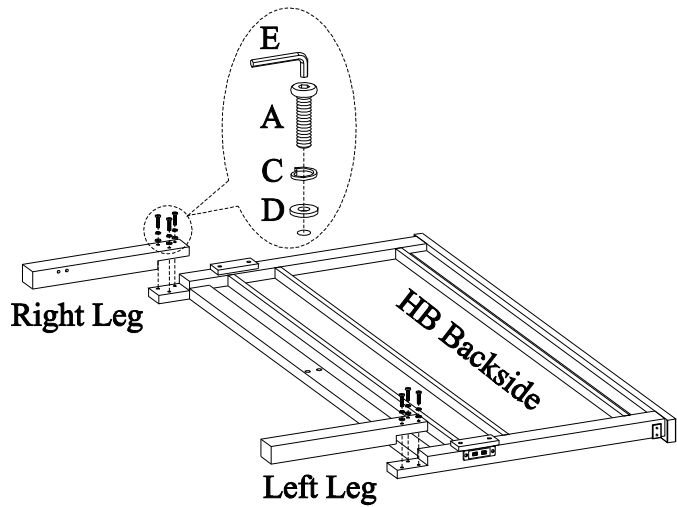
**BEFORE USING THIS PRODUCT PLEASE READ, UNDERSTAND, AND FOLLOW THESE INSTRUCTIONS.**  
Save these instructions for future reference.

FOR INDOOR USE ONLY



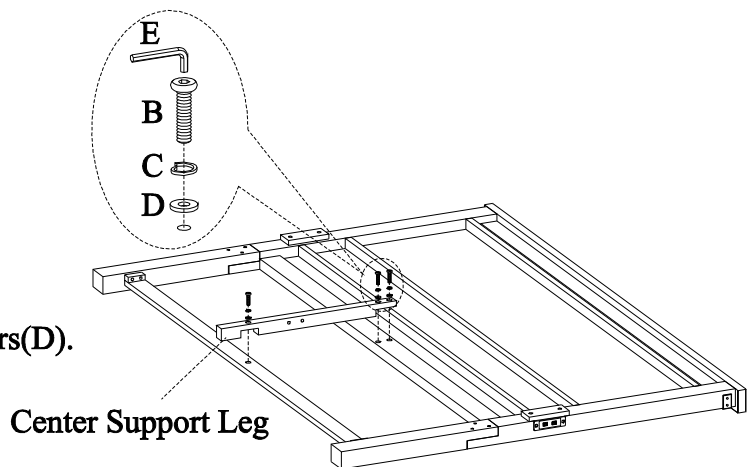
ITEM NO: I45-425 King Panel HB  
 I45-406 King Rails  
 I45-410 Cal King Rails  
 I45-426 King Panel FB

**STEP 1:** Lay the headboard face down on a soft surface. Attach the left leg and right leg to headboard by using 6 bolts(A), lock washers(C) and flat washers(D).

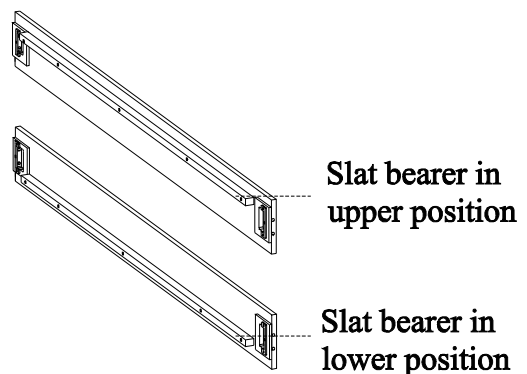


**STEP 2:** Attach the wood stretcher to the legs by using 4 bolts(B), lock washers(C) and flat washers(D).

**STEP 3:** Attach the center support leg to headboard and wood stretcher by using 3 bolts(B), lock washers(C) and flat washers(D).



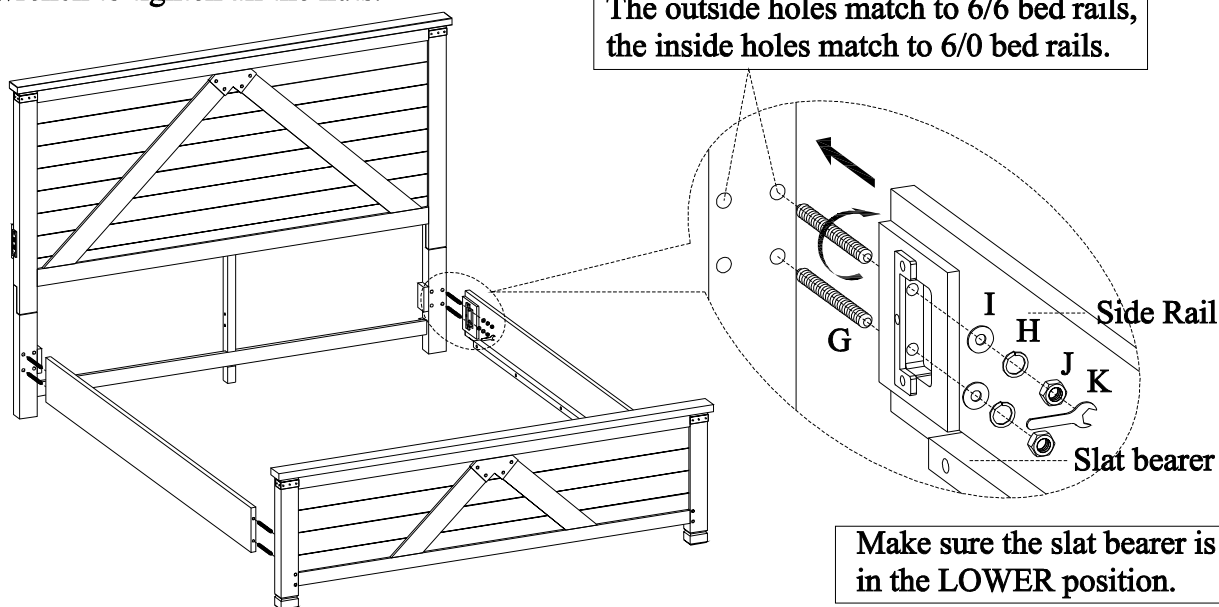
**STEP 4:** The side rails may be used on either side. Arrange the side rails so the slat bearers are in LOWER POSITION prior to attachment in STEP 5.



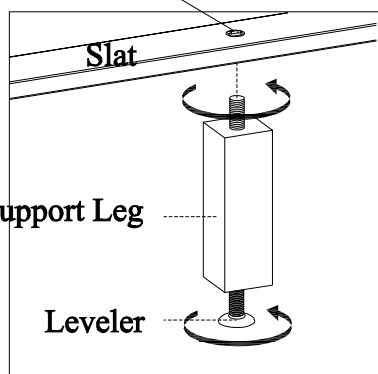


- ITEM NO: I45-425 King Panel HB
- I45-406 King Rails
- I45-410 Cal King Rails
- I45-426 King Panel FB

**STEP 5:** Screw the bolts(G) into HB & FB. Align the bolts with the holes in the end of side rails and attach the side rails to HB & FB using flat washer(I), lock washers(H) and nuts (J). Then use a hex wrench to tighten all the nuts.

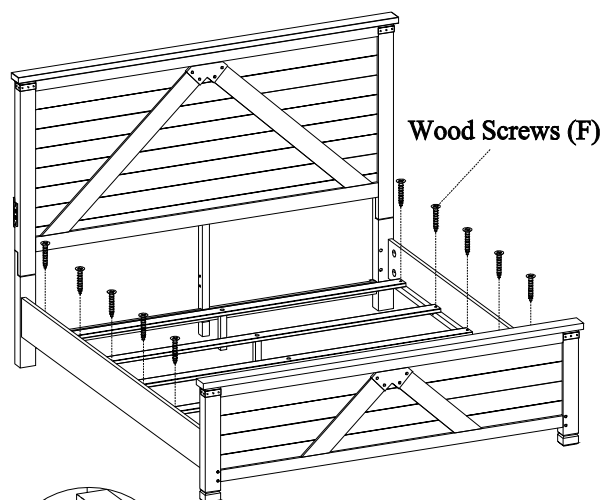


This End Up

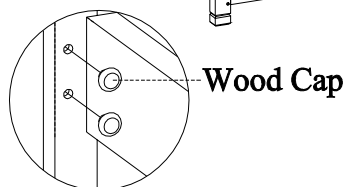


**STEP 6:** Attach the support legs with leveler to the slats. Adjust the levelers on bottom of support legs when necessary.

**STEP 7:** Arrange the slats on the slat bearers equally and attach to the slat bearers with wood screws (F).



**STEP 8:** For Cal King bed, insert wood caps into the holes on headboard and footboard. For regular King bed, skip this step.





ITEM NO: I45-425    King Panel HB  
 I45-406    King Rails  
 I45-410    Cal King Rails  
 I45-426    King Panel FB

### FUNCTIONALITY INSTRUCTION

