

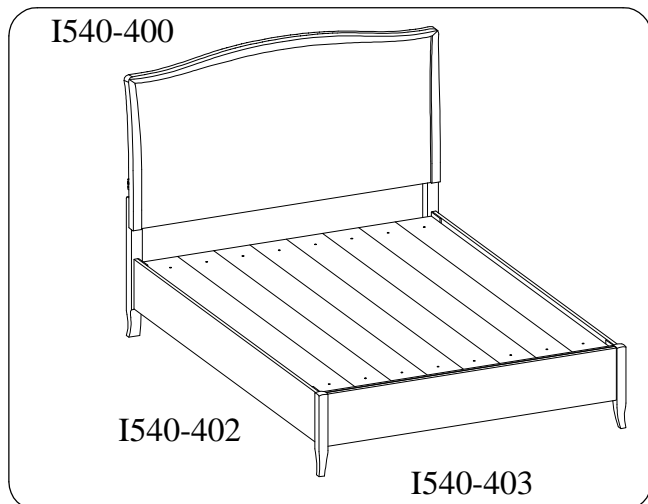


ITEM NO: I540-400      Queen Sleigh HB  
 I540-402      Queen Rails w/ Decking  
 I540-403      Queen Low Profile FB

Thank you for purchasing this quality product. Be sure to check all packing material carefully for small parts that may come loose inside the carton during shipment.



**UNIT SHOULD BE INSTALLED BY 2 OR MORE PERSONS.**



All Beds need to be set up in the exact final location so that after full assembly it will not need to be moved. Moving the bed will cause the support legs to move out of perpendicular (90 degree), weaken the support system, and may allow the bed to collapse.

TOOLS REQUIRED (NOT PROVIDED)
PHILLIPS SCREWDRIVER

**HARDWARE LIST: I540-400**

No.	Description	Sketch	Quantity
A	Bolt Ø1/4" x 1-3/4"		2 PCS
B	Lock Washer Ø1/4"		2 PCS
C	Flat Washer Ø1/4" x 3/4"		2 PCS
D	Bolt Ø5/16" x 2"		6 PCS
E	Lock Washer Ø5/16"		6 PCS
F	Flat Washer Ø5/16" x 3/4"		6 PCS
G	Allen Wrench 4mm		1 PC

**HARDWARE LIST: I540-402**

No.	Description	Sketch	Quantity
H	Hanger Bolt Ø5/16" x 3-1/2"		8 PCS
I	Half Moon Washer Ø5/16"		8 PCS
J	Lock Washer Ø5/16"		8 PCS
K	Hex Nut Ø5/16"		8 PCS
L	Hex Wrench 12mm		1 PC
M	Wood Screw #8 x 1"		8 PCS
N	Wood Screw #8 x 3/4"		16 PCS

**COMPONENTS LIST: I540-400**

No.	Description	Sketch	Quantity
1	Headboard (HB)		1 PC
2	Left Leg		1 PC
3	Right Leg		1 PC
4	Wood Stretcher		1 PC

**COMPONENTS LIST: I540-402**

No.	Description	Sketch	Quantity
1	Bed rails		2 PCS
2	Slats		4 PCS
3	Decking		8 PCS

**COMPONENTS LIST: I540-403**

No.	Description	Sketch	Quantity
1	Footboard (FB)		1 PC
2	Support Leg		4 PCS

BEFORE USING THIS PRODUCT PLEASE READ, UNDERSTAND, AND FOLLOW THESE INSTRUCTIONS. Save these instructions for future reference.

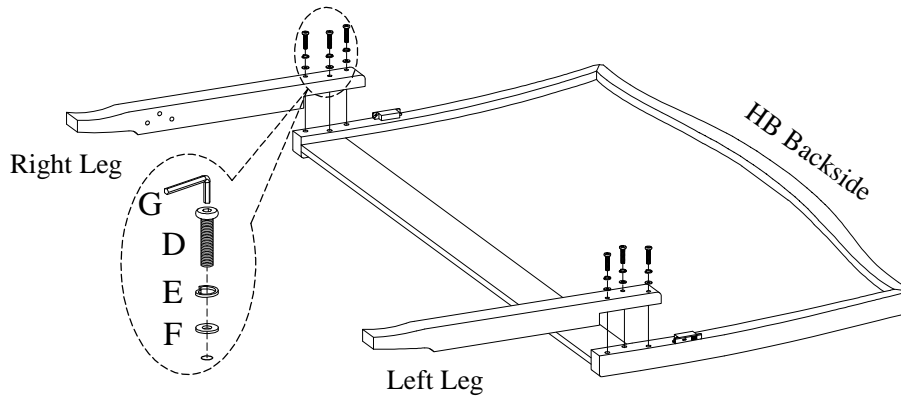
FOR INDOOR USE ONLY



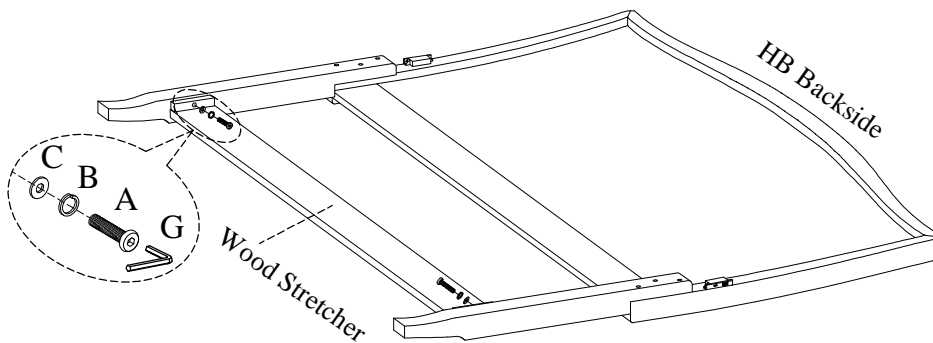
ITEM NO: I540-400  
I540-402  
I540-403

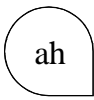
Queen Sleigh HB  
Queen Rails w/ Decking  
Queen Low Profile FB

**STEP 1:** Lay the headboard face down on a soft surface. Attach the left leg and right leg to headboard by using 6 bolts(D), lock washers(E) and flat washers(F) with an allen wrench(G). Do not completely tighten bolts.



**STEP 2:** Attach the wood stretcher to the legs by using 2 bolts(A), lock washers(B) and flat washers(C). Use the Allen wrench provided to tighten all the bolts.

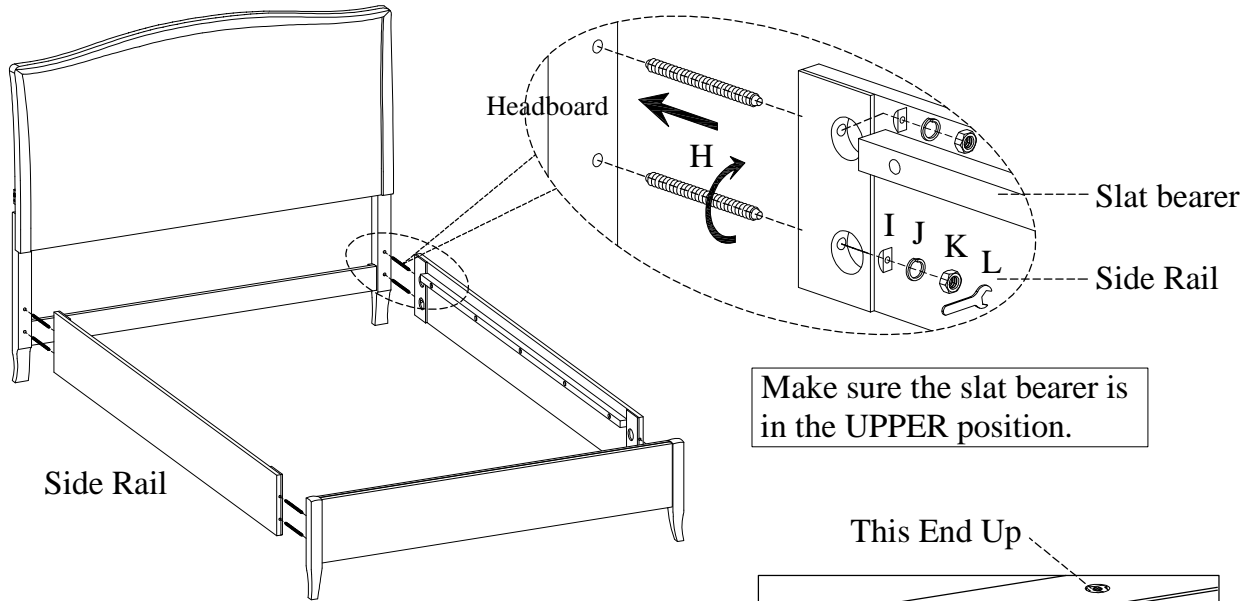




ITEM NO: I540-400  
I540-402  
I540-403

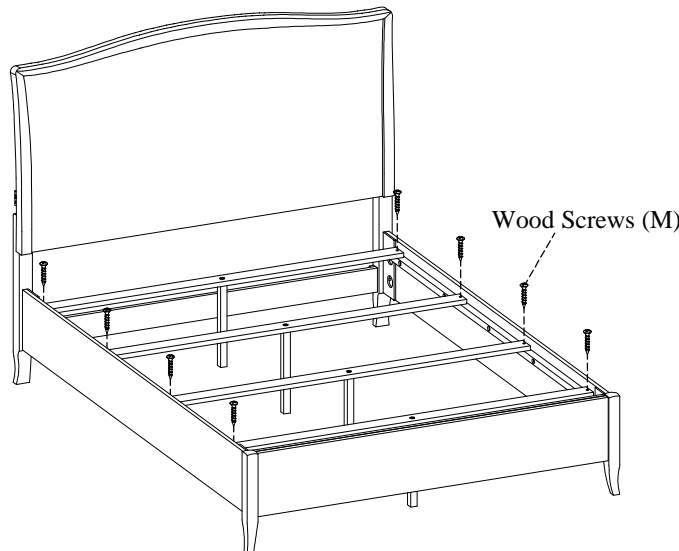
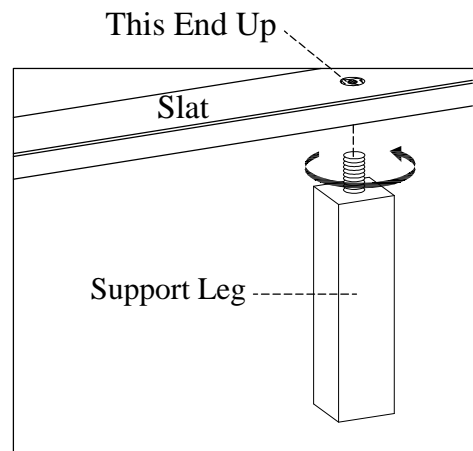
Queen Sleigh HB  
Queen Rails w/ Decking  
Queen Low Profile FB

**STEP 3:** Screw the bolts(H) into HB & FB. Make sure the slat bearer is in the UPPER position. Align the bolts with the holes in the end of side rails and attach the side rails to HB & FB using half moon washers(I), lock washers(J) and nuts (K). Then use a hex wrench to tighten all the nuts.



**STEP 4:** Attach the support legs to the slats as shown right.

**STEP 5:** Arrange slats on the slat bearers and then lay the decking on top of the slats. Make sure the slats are situated underneath the pre-drilled holes as shown in STEP 6. Remove the decking and attach slats to the slat bearers with wood screws(M).

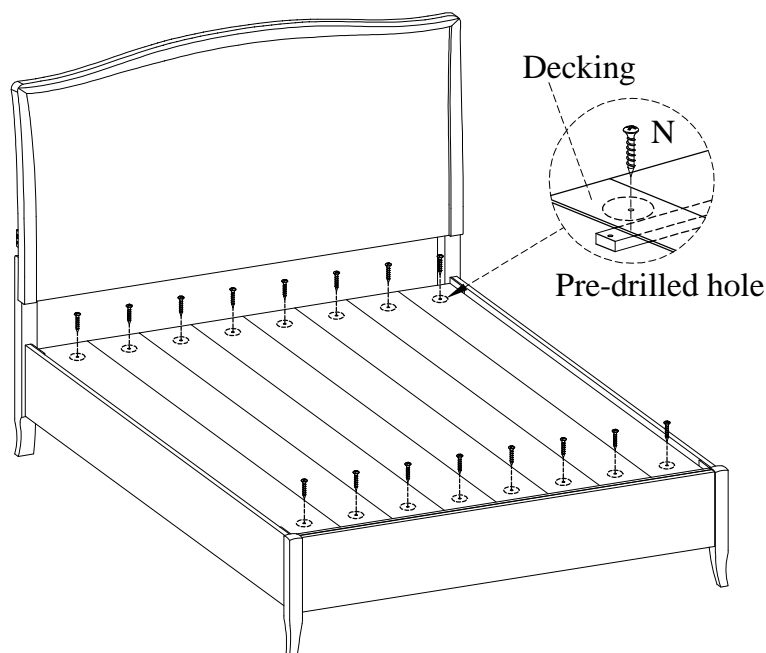




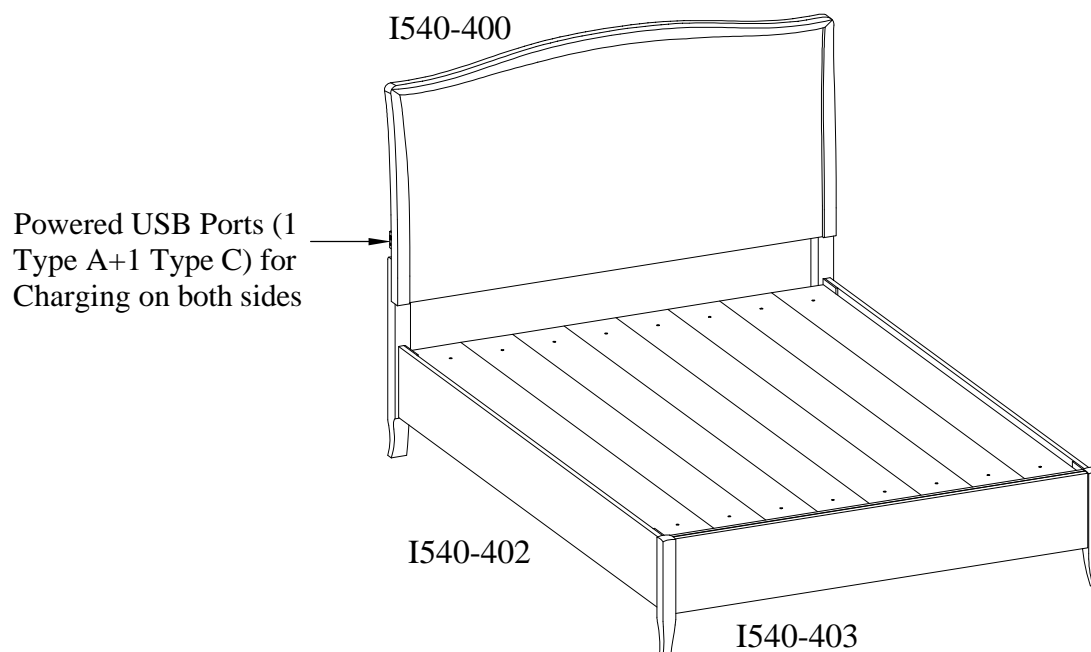
ITEM NO: I540-400  
I540-402  
I540-403

Queen Sleigh HB  
Queen Rails w/ Decking  
Queen Low Profile FB

**STEP 6:** Put the decking over the slats, secure decking to the slats with wood screws (N) through the pre-drilled holes in the decking as shown below.



### FUNCTIONALITY INSTRUCTION



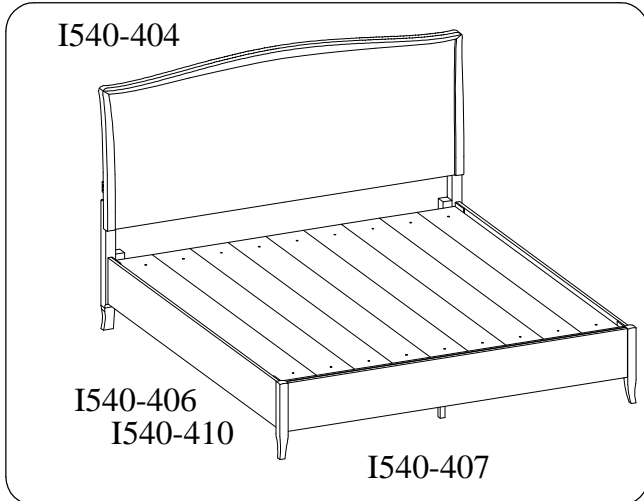


- ITEM NO: I540-404 King Sleigh HB  
 I540-406 King Rails w/ Decking  
 I540-410 Cal King Rails w/ Decking  
 I540-407 King Low Profile FB

Thank you for purchasing this quality product. Be sure to check all packing material carefully for small parts that may come loose inside the carton during shipment.



**UNIT SHOULD BE INSTALLED BY 2 OR MORE PERSONS.**



TOOLS REQUIRED (NOT PROVIDED)
PHILLIPS SCREWDRIVER

All Beds need to be set up in the exact final location so that after full assembly it will not need to be moved. Moving the bed will cause the support legs to move out of perpendicular (90 degree), weaken the support system, and may allow the bed to collapse.

HARDWARE LIST: I540-404			
No.	Description	Sketch	Quantity
A	Bolt Ø1/4" x 1-3/4"		2 PCS
B	Lock Washer Ø1/4"		2 PCS
C	Flat Washer Ø1/4" x 3/4"		2 PCS
D	Bolt Ø5/16" x 2"		6 PCS
E	Lock Washer Ø5/16"		6 PCS
F	Flat Washer Ø5/16" x 3/4"		6 PCS
G	Allen Wrench 4mm		1 PC

COMPONENTS LIST: I540-404			
No.	Description	Sketch	Quantity
1	Headboard (HB)		1 PC
2	Left Leg		1 PC
3	Right Leg		1 PC
4	Wood Stretcher		1 PC

HARDWARE LIST: I540-406/410			
No.	Description	Sketch	Quantity
H	Hanger Bolt Ø5/16" x 3-1/2"		8 PCS
I	Half Moon Washer Ø5/16"		8 PCS
J	Lock Washer Ø5/16"		8 PCS
K	Hex Nut Ø5/16"		8 PCS
L	Hex Wrench 12mm		1 PC
M	Wood Screw #8 x 1"		10 PCS
N	Wood Screw #8 x 3/4"		18 PCS
O	Wood Cap (only for -410)		8 PCS
P	Wood Screw #8 x 3/4"(only for-410)		16 PCS

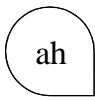
COMPONENTS LIST: I540-406			
No.	Description	Sketch	Quantity
1	Bed rails		2 PCS
2	Slats		5 PCS
3	Decking		9 PCS

COMPONENTS LIST: I540-410			
No.	Description	Sketch	Quantity
1	Bed rails		2 PCS
2	Slats		5 PCS
3	Decking		8 PCS

COMPONENTS LIST: I540-407			
No.	Description	Sketch	Quantity
1	Footboard (FB)		1 PC
2	Support Leg		5 PCS

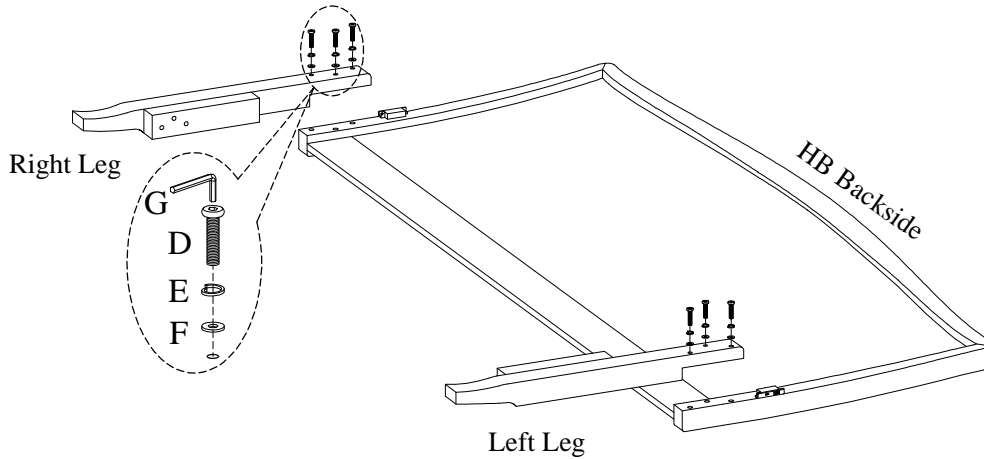
BEFORE USING THIS PRODUCT PLEASE READ, UNDERSTAND, AND FOLLOW THESE INSTRUCTIONS. Save these instructions for future reference.

FOR INDOOR USE ONLY

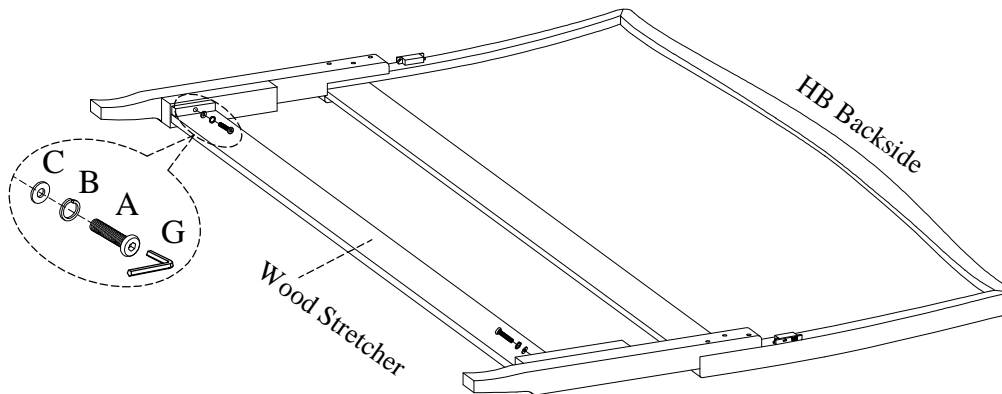


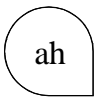
- ITEM NO: I540-404 King Sleigh HB  
I540-406 King Rails w/ Decking  
I540-410 Cal King Rails w/ Decking  
I540-407 King Low Profile FB

**STEP 1:** Lay the headboard face down on a soft surface. Attach the left leg and right leg to headboard by using 6 bolts(D), lock washers(E) and flat washers(F) with an allen wrench(G). Do not completely tighten bolts.



**STEP 2:** Attach the wood stretcher to the legs by using 2 bolts(A), lock washers(B) and flat washers(C). Use the Allen wrench provided to tighten all the bolts.

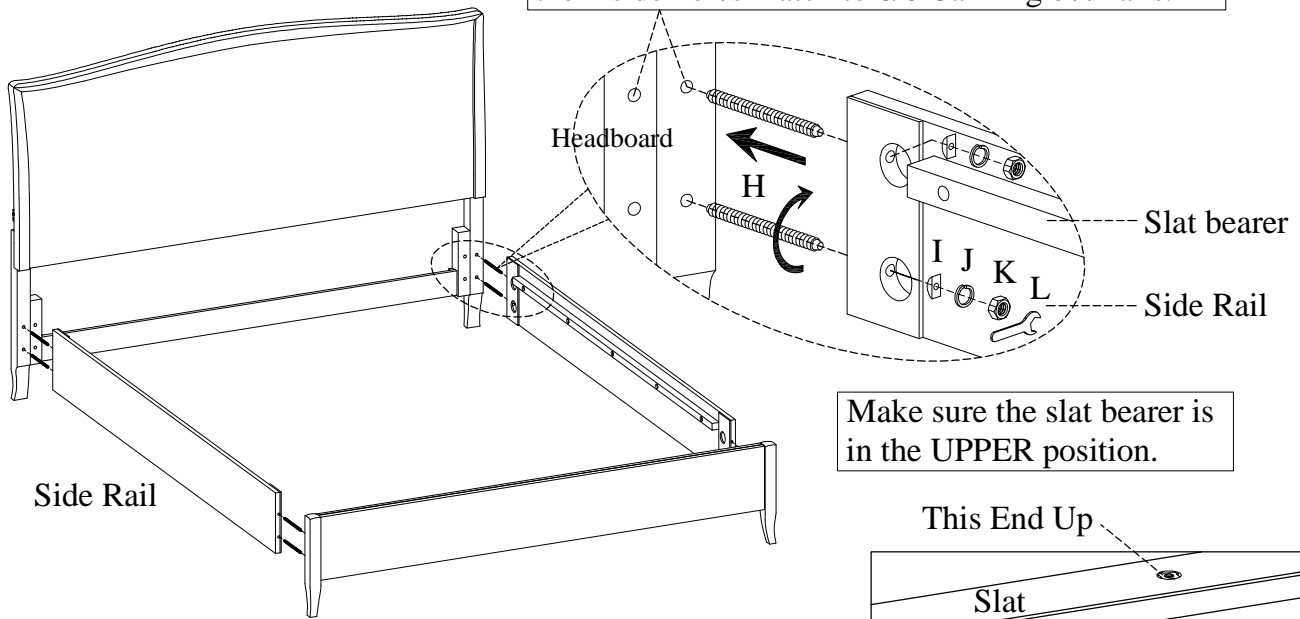




- ITEM NO: I540-404    King Sleigh HB
- I540-406    King Rails w/ Decking
- I540-410    Cal King Rails w/ Decking
- I540-407    King Low Profile FB

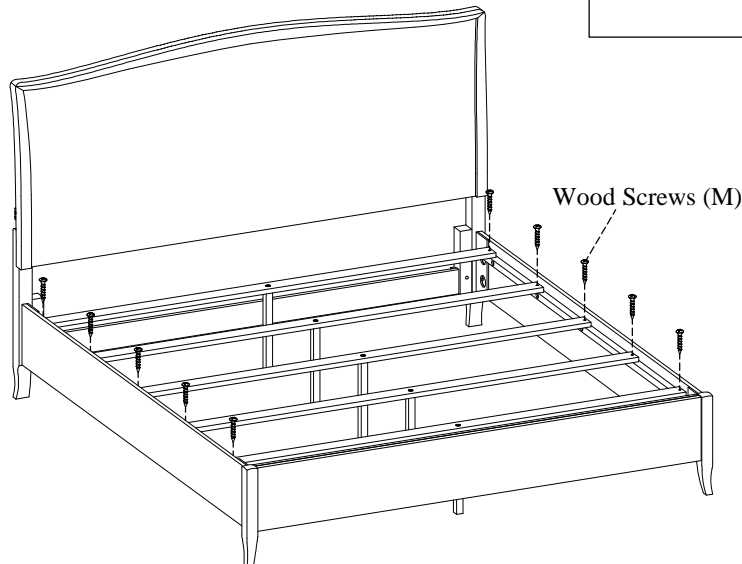
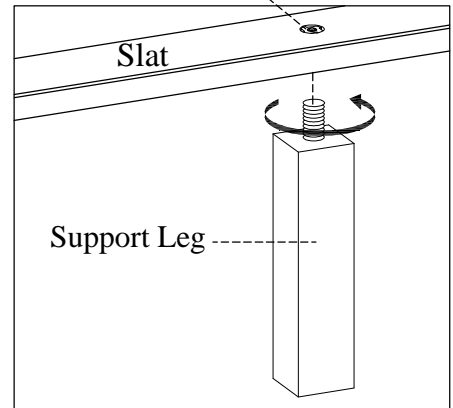
**STEP 3:** Screw the bolts(H) into HB & FB. Make sure the slat bearer is in the UPPER position. Align the bolts with the holes in the end of side rails and attach the side rails to HB & FB using half moon washers(I), lock washers(J) and nuts (K). Then use a hex wrench to tighten all the nuts.

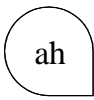
The outside holes match to 6/6 standard king rails, the inside holes match to 6/0 Cal king bed rails.



**STEP 4:** Attach the support legs to the slats as shown right.

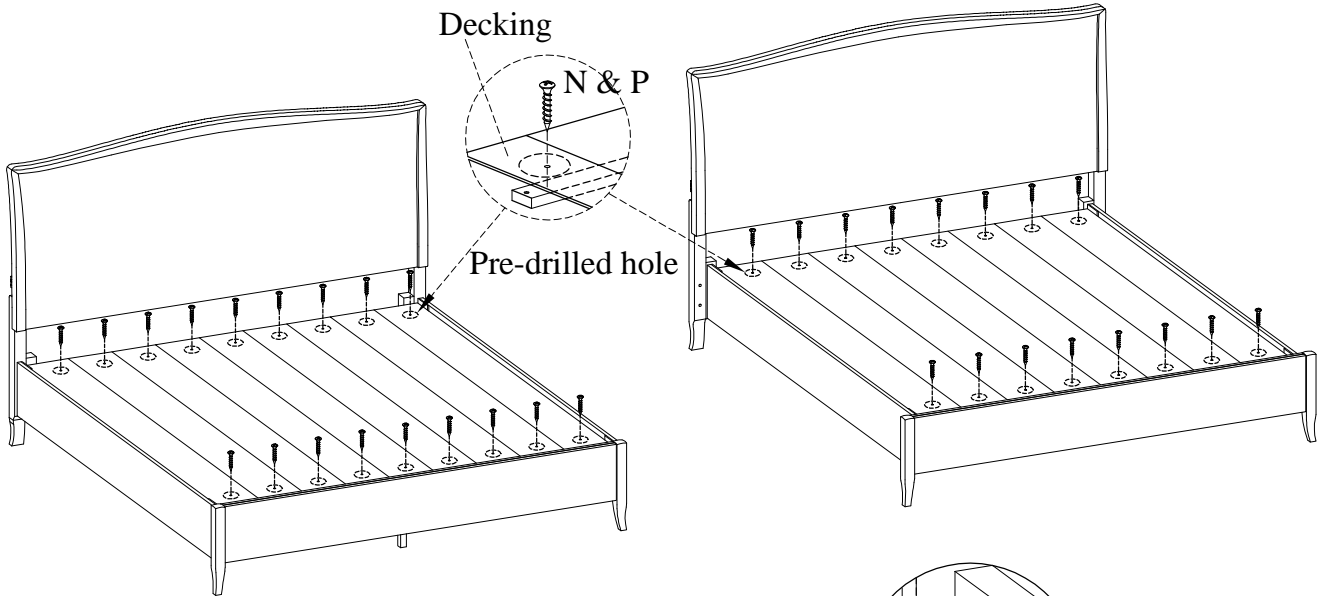
**STEP 5:** Arrange slats on the slat bearers and then lay the decking on top of the slats. Make sure the slats are situated underneath the pre-drilled holes as shown in STEP 6. Remove the decking and attach slats to the slat bearers with wood screws(M).



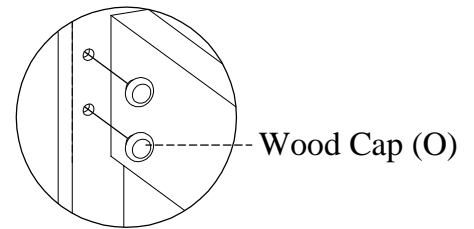


- ITEM NO: I540-404 King Sleigh HB
- I540-406 King Rails w/ Decking
- I540-410 Cal King Rails w/ Decking
- I540-407 King Low Profile FB

**STEP 6:** Put the decking over the slats, secure decking to the slats with wood screws (N & P) through the pre-drilled holes in the decking as shown below.



**STEP 7:** For Cal King bed, insert wood caps into the holes on headboard and footboard. For regular King bed, skip this step.



### FUNCTIONALITY INSTRUCTION

