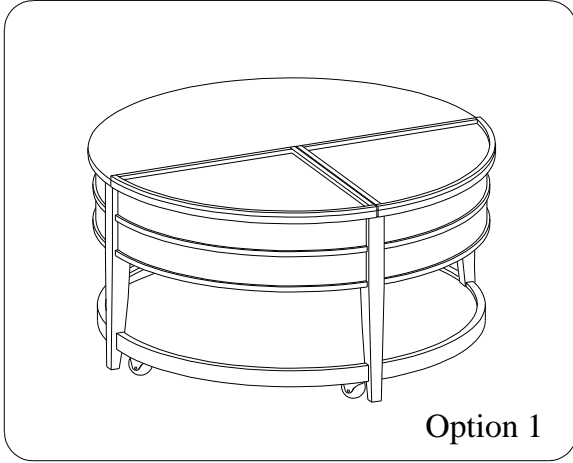
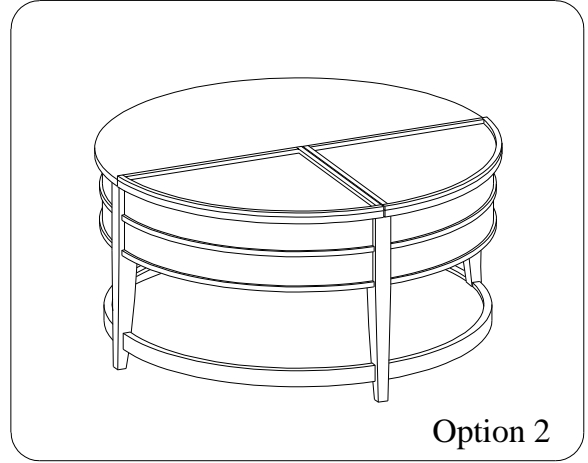


ITEM NO: I540-9100 Lift Top Round Cocktail Table

Thank you for purchasing this quality product. Be sure to check all packing material carefully for small parts that may come loose inside the carton during shipment.



Option 1






Option 2

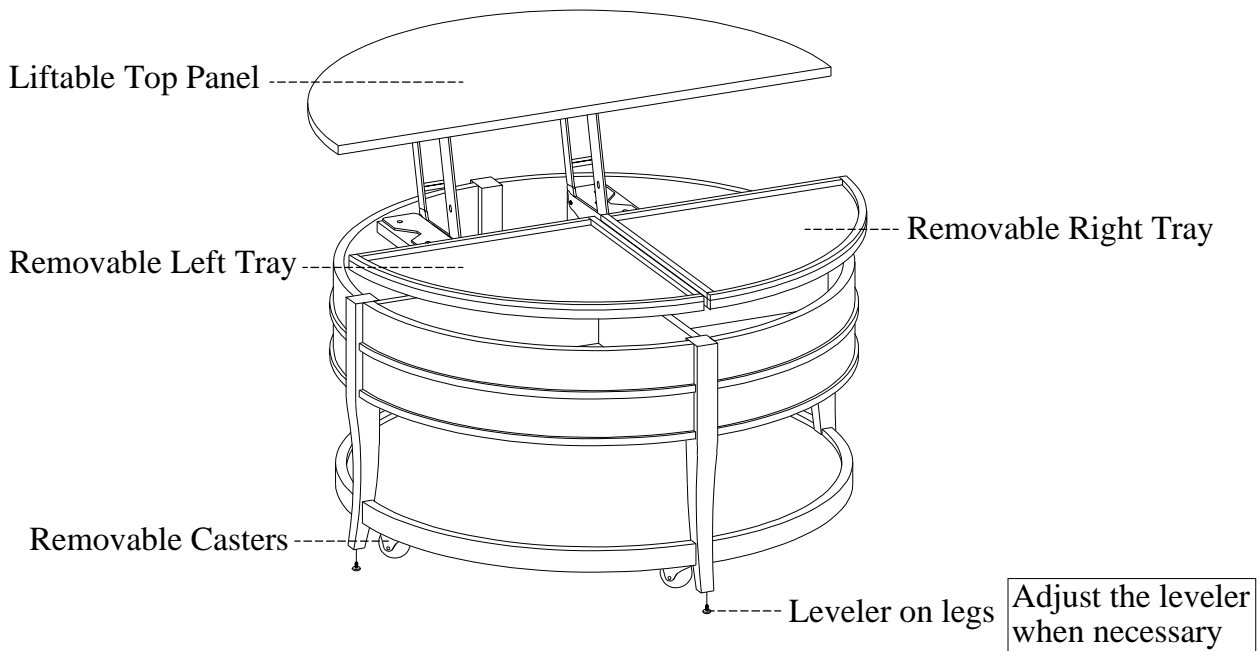
### TOOLS REQUIRED (NOT PROVIDED)

PHILLIPS SCREWDRIVER 

### COMPONENTS LIST:

No.	Description	Sketch	Quantity
1	Top assembly		1 PC
2	Left Tray		1 PC
3	Right Tray		1 PC

### FUNCTIONALITY INSTRUCTION



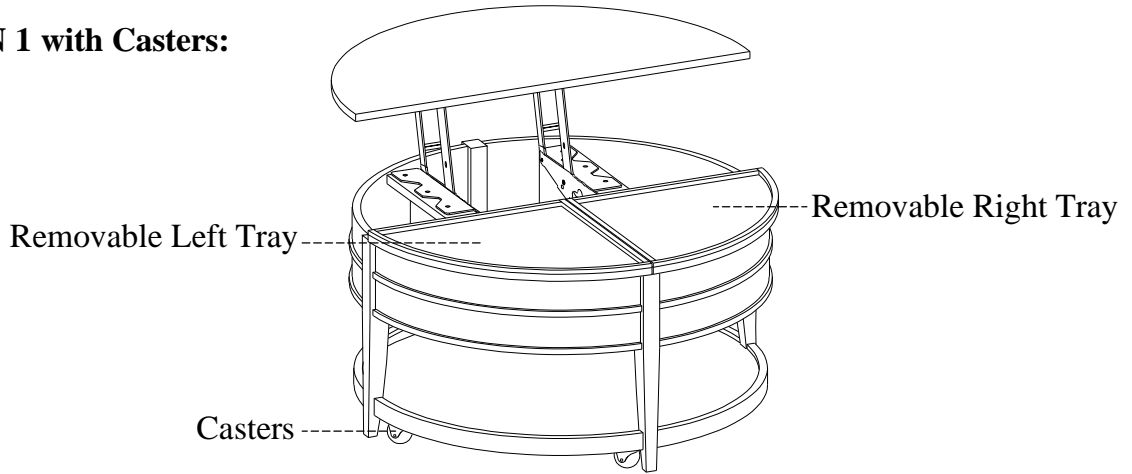
BEFORE USING THIS PRODUCT PLEASE READ, UNDERSTAND, AND FOLLOW THESE INSTRUCTIONS. Save these instructions for future reference.

FOR INDOOR USE ONLY



ITEM NO: I540-9100 Lift Top Round Cocktail Table

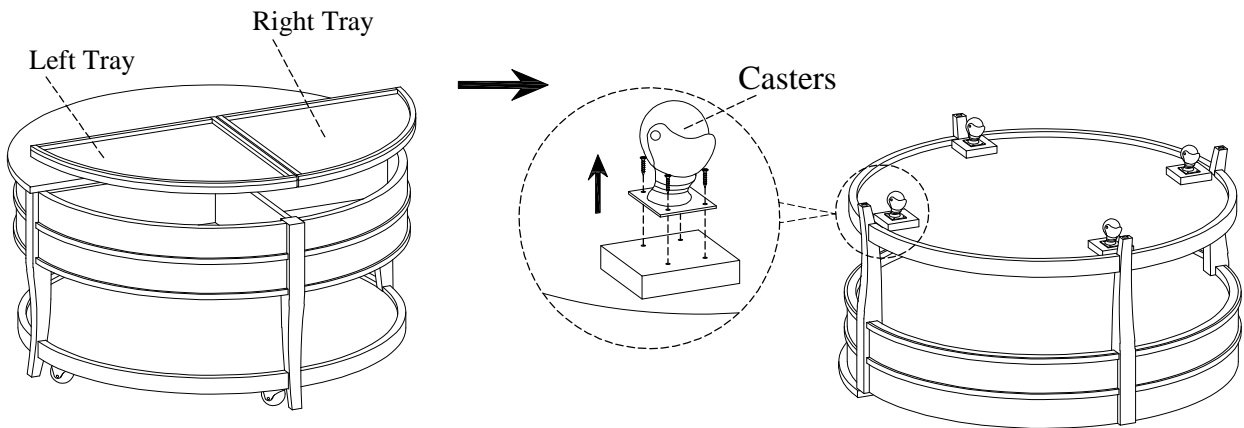
**For OPTION 1 with Casters:**



**For OPTION 2 with Levelers:**

**STEP 1:** Take out the left tray and right tray.

**STEP 2:** Put the table face down on a soft surface. Remove the screws from each caster on the bottom of the table. Turn the table to the upright position.



**STEP 3:** Put back the left tray and right tray to the original position.

