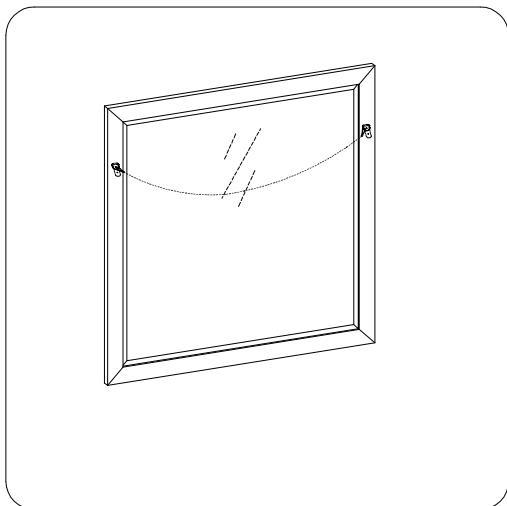




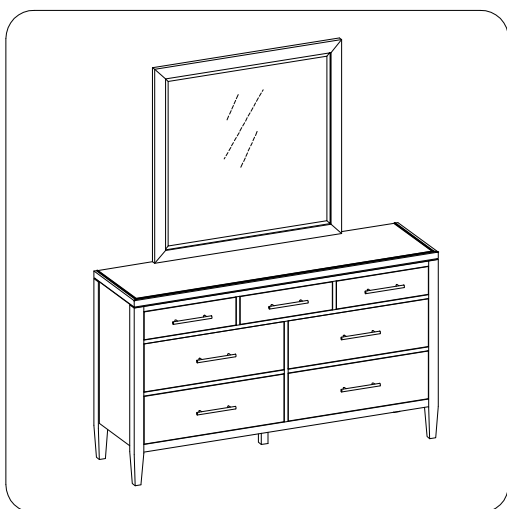
ITEM NO: I597-462 Mirror

Thank you for purchasing this quality product. Be sure to check all packing material carefully for small parts that may come loose inside the carton during shipment.

Option 1: Wall Mount



Option 2: Dresser Mount



HARDWARE LIST:

No.	Description	Sketch	Quantity
A	Bolt Ø1/4" x 1-3/8"		4 PCS
B	Bolt Ø1/4" x 1-3/4"		4 PCS
C	Lock Washer Ø1/4"		8 PCS
D	Flat Washer Ø1/4" x 3/4"		8 PCS
E	Allen Wrench 4mm		1 PC

TOOLS REQUIRED (NOT PROVIDED)

PHILLIPS SCREWDRIVER

COMPONENTS LIST:

No.	Description	Sketch	Quantity
1	Mirror		1 PC
2	Wood Strip		2 PCS

BEFORE USING THIS PRODUCT PLEASE READ, UNDERSTAND, AND FOLLOW THESE INSTRUCTIONS.
Save these instructions for future reference.

FOR INDOOR USE ONLY



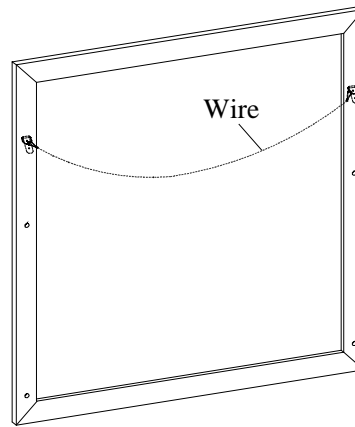
ITEM NO: I597-462

Mirror

FOR OPTION 1 (Wall Mount)

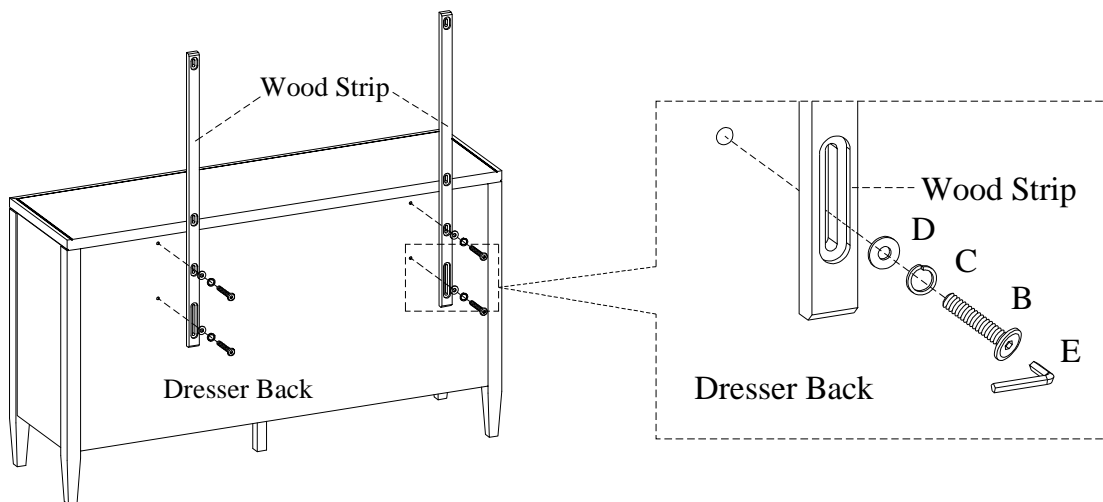
STEP 1: After attaching nail/hanger to wall, place wire over nail/hanger and slowly lower the mirror into place. Make sure the wire catches on the nail/hanger.

Note: Ensure the nail/hanger is in a wall stud or wall solid enough to support mirror.



FOR OPTION 2 (Dresser Mount)

STEP 1: Attach the wood strips to the dresser by using 4 bolts(B), lock washers(C), and flat washers(D). Do not tighten bolts completely.



STEP 2: Attach the wood strips to the mirror by using 4 bolts(A), lock washers(C), and flat washers(D). Tighten all bolts on dresser and mirror with Allen wrench.

