



ITEM NO: I597-9140

End Table

Thank you for purchasing this quality product. Be sure to check all packing material carefully for small parts that may come loose inside the carton during shipment.

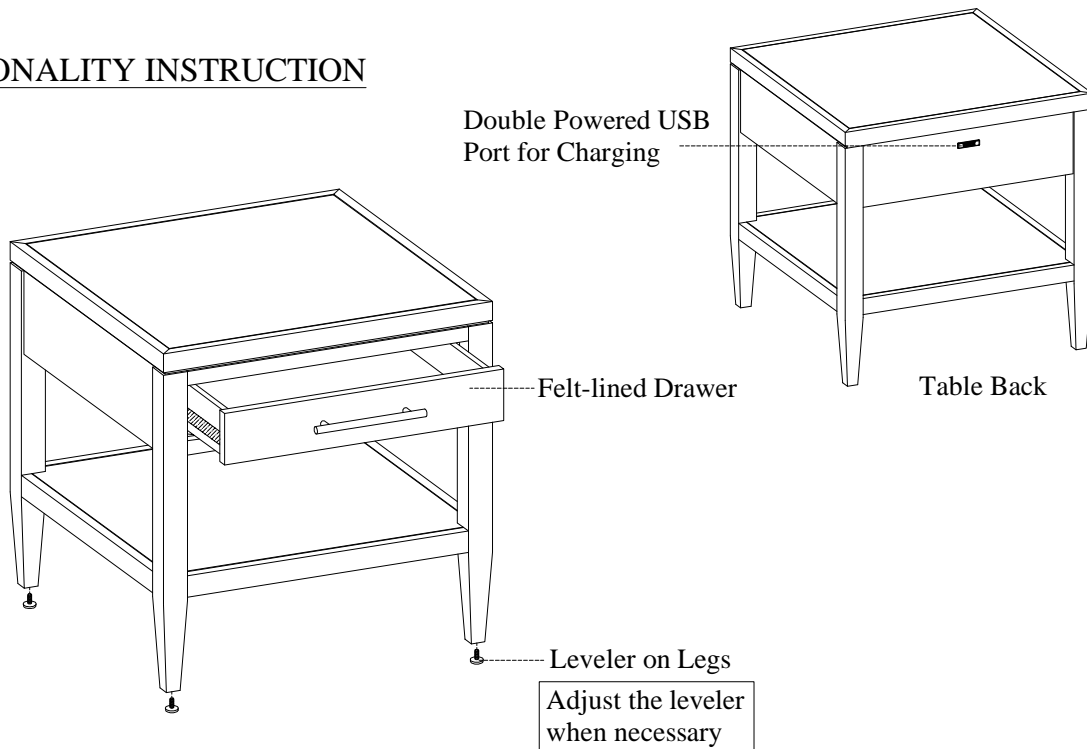


TOOLS REQUIRED (NOT PROVIDED)
PHILLIPS SCREWDRIVER

HARDWARE LIST:			
No.	Description	Sketch	Quantity
A	Bolt Ø1/4" x 2-3/8"		12 PCS
B	Lock Washer Ø1/4"		12 PCS
C	Flat Washer Ø1/4" x 3/4"		12 PCS
D	Allen Wrench 4mm		1 PC

COMPONENTS LIST:			
No.	Description	Sketch	Quantity
1	Table Top		1 PC
2	Bottom Shelf		1 PC
3	Leg		4 PCS

FUNCTIONALITY INSTRUCTION



BEFORE USING THIS PRODUCT PLEASE READ, UNDERSTAND, AND FOLLOW THESE INSTRUCTIONS. Save these instructions for future reference.

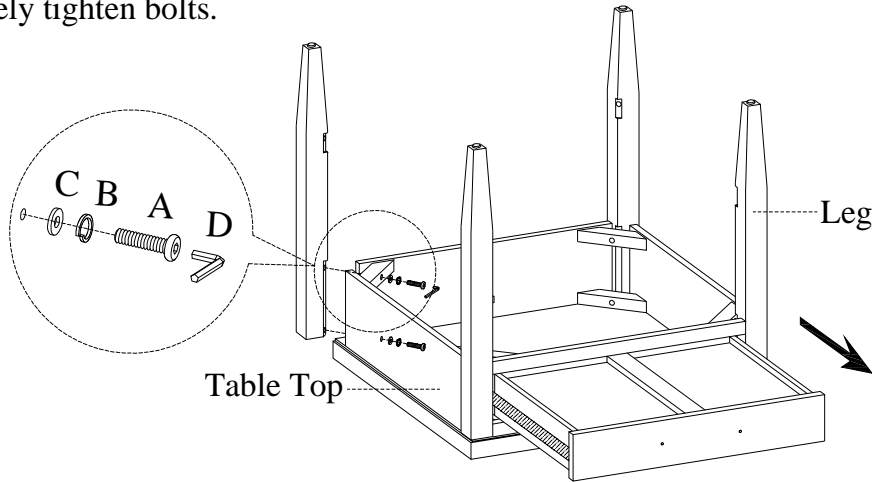
FOR INDOOR USE ONLY



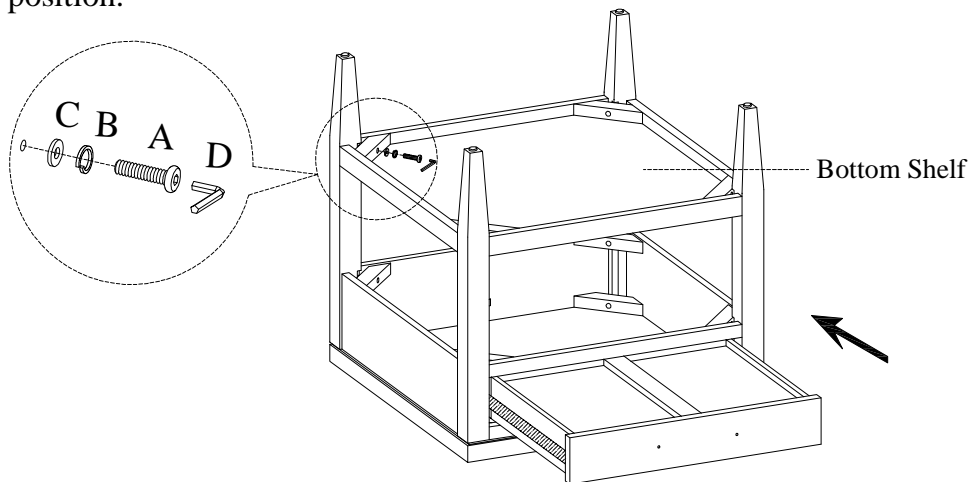
ITEM NO: I597-9140

End Table

STEP 1: Put the table top face down on a soft surface. Pull the drawer out and attach the legs to the table top by using 8 bolts(A), lock washers(B) and flat washers(C). Do not completely tighten bolts.



STEP 2: Attach the bottom shelf to the legs by using 4 bolts (A), lock washers(B) and flat washers(C). Completely tighten all bolts. Push the drawer back. Turn the assembled table to the upright position.



STEP 3: Reverse the handle by removing the screws while the drawer is open and attach the handle to the front of the drawer with screws as shown below.

