



ITEM NO: I597-400 Queen Slat HB
 I597-402 Queen Rails w/ Decking
 I597-403 Queen Low Profile FB

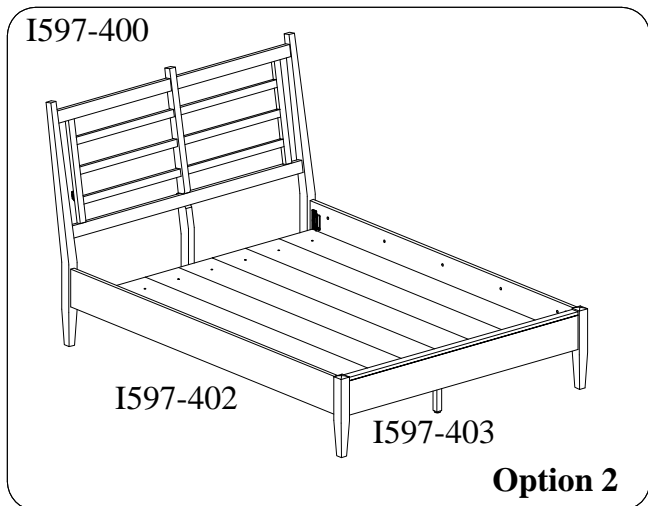
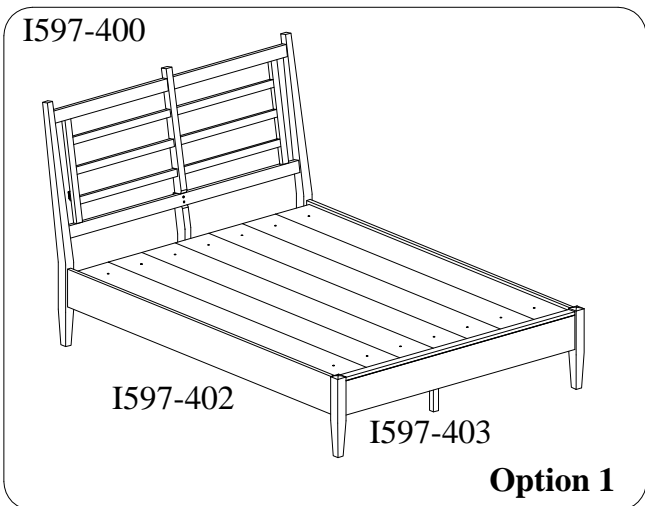
Thank you for purchasing this quality product. Be sure to check all packing material carefully for small parts that may come loose inside the carton during shipment.



UNIT SHOULD BE INSTALLED BY 2 OR MORE PERSONS.

All Beds need to be set up in the exact final location so that after full assembly it will not need to be moved. Moving the bed will cause the support legs to move out of perpendicular (90 degree), weaken the support system, and may allow the bed to collapse.

| |
|-------------------------------|
| TOOLS REQUIRED (NOT PROVIDED) |
| PHILLIPS SCREWDRIVER |



| HARDWARE LIST: I597-400 | | | |
|-------------------------|--------------------------|--------|----------|
| No. | Description | Sketch | Quantity |
| A | Bolt Ø1/4" x 1-1/4" | | 10 PCS |
| B | Lock Washer Ø1/4" | | 10 PCS |
| C | Flat Washer Ø1/4" x 3/4" | | 10 PCS |
| D | Allen Wrench 4mm | | 1 PC |

| COMPONENTS LIST: I597-400 | | | |
|---------------------------|--------------------|--------|----------|
| No. | Description | Sketch | Quantity |
| 1 | Headboard | | 1 PC |
| 2 | Left leg | | 1 PC |
| 3 | Right leg | | 1 PC |
| 4 | Center Support Leg | | 1 PC |

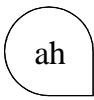
| HARDWARE LIST: I597-402 | | | |
|-------------------------|-----------------------------|--------|----------|
| No. | Description | Sketch | Quantity |
| E | Hanger Bolt Ø5/16" x 3-1/8" | | 8 PCS |
| F | Lock Washer Ø5/16" | | 8 PCS |
| G | Flat Washer Ø5/16" x 5/8" | | 8 PCS |
| H | Hex Nut Ø5/16" | | 8 PCS |
| I | Hex Wrench | | 1 PC |
| J | Wood Screw M4 x 1-3/16" | | 8 PCS |
| K | Wood Screw M4 x 3/4" | | 14 PCS |

| COMPONENTS LIST: I597-402 | | | |
|---------------------------|-------------|--------|----------|
| No. | Description | Sketch | Quantity |
| 1 | Bed rails | | 2 PCS |
| 2 | Slats | | 4 PCS |
| 3 | Decking | | 7 PCS |

| COMPONENTS LIST: I597-403 | | | |
|---------------------------|-------------------------|--------|----------|
| No. | Description | Sketch | Quantity |
| 1 | Footboard | | 1 PC |
| 2 | Support Leg (for slats) | | 4 Set |

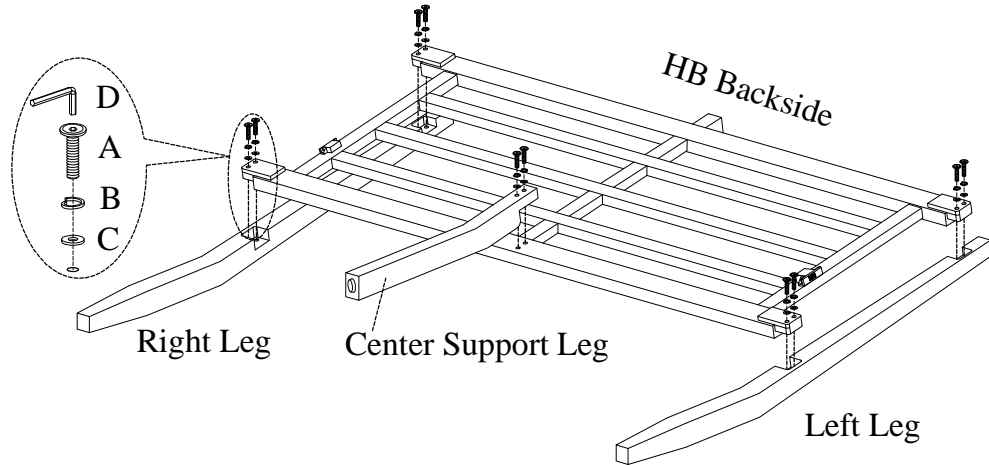
BEFORE USING THIS PRODUCT PLEASE READ, UNDERSTAND, AND FOLLOW THESE INSTRUCTIONS. Save these instructions for future reference.

FOR INDOOR USE ONLY



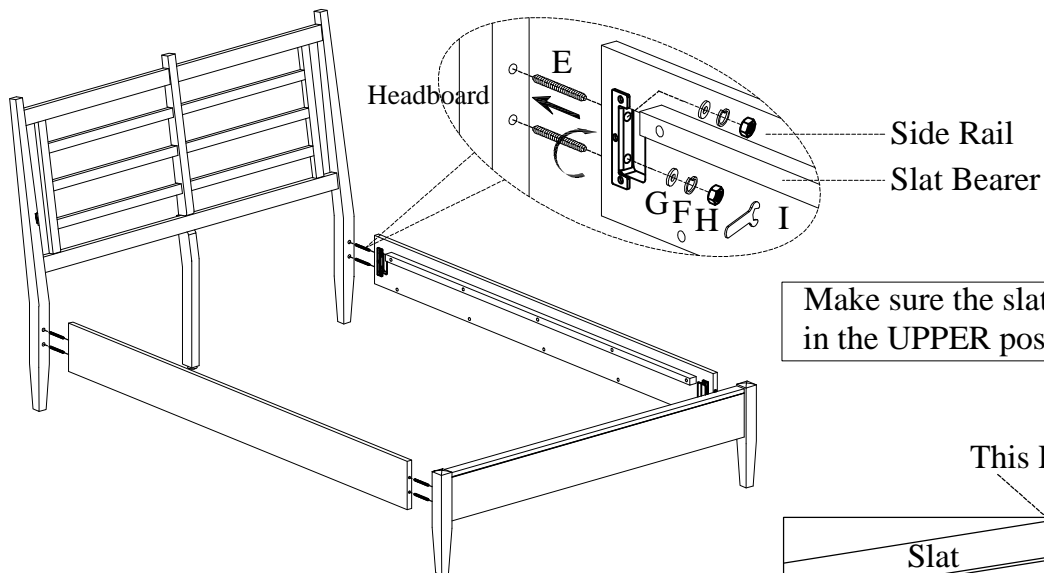
ITEM NO: I597-400 Queen Slat HB
 I597-402 Queen Rails w/ Decking
 I597-403 Queen Low Profile FB

STEP 1: Lay the headboard face down on a soft surface. Attach the left leg, right leg and center support leg to headboard by using 10 bolts(A), lock washers(B) and flat washers(C) as shown below. Completely tighten all bolts.

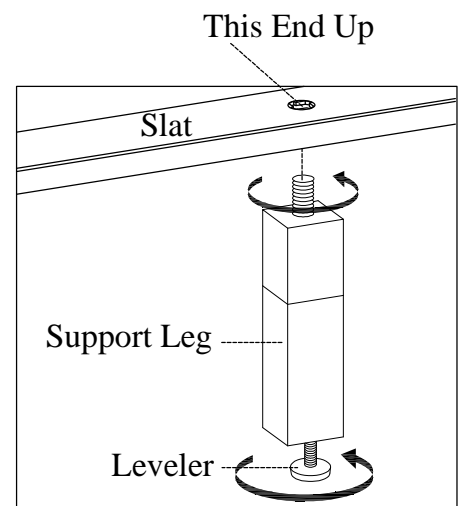


For option 1:

STEP 2: Screw the bolts(E) into HB & FB. Make sure the slat bearer is in the UPPER position. Align the bolts with the holes in the end of side rails and attach the side rails to HB & FB using flat washer(G), lock washers(F) and nuts(H). Then use a hex wrench(I) to tighten all the nuts.



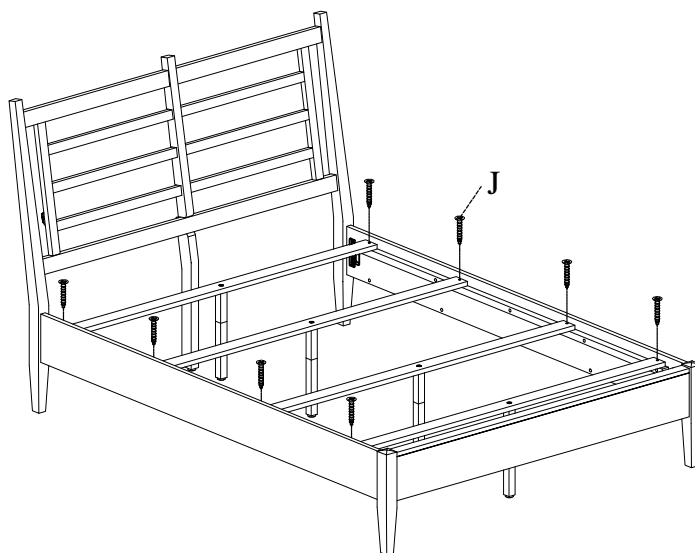
STEP 3: Attach the support legs with leveler to the slats. Adjust the levelers on bottom of support legs when necessary.



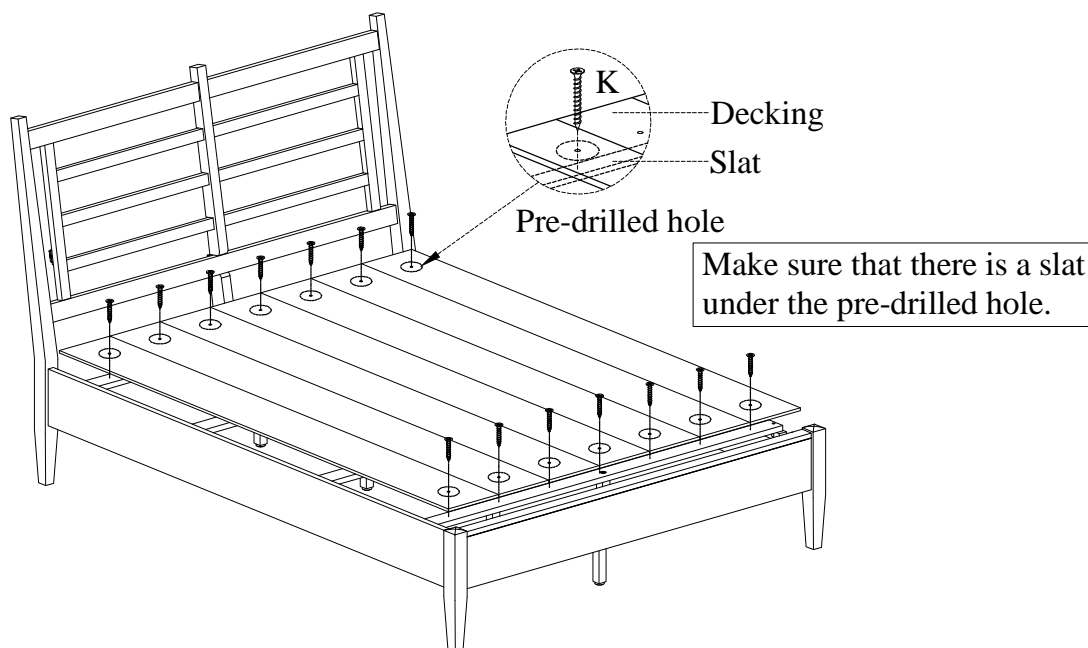


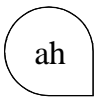
ITEM NO: I597-400 Queen Slat HB
 I597-402 Queen Rails w/ Decking
 I597-403 Queen Low Profile FB

STEP 4: Arrange slats on the slat bearers and then lay the decking on top of the slats. Make sure the top and bottom slats are situated underneath the pre-drilled holes as shown in STEP 5. Remove the decking and attach slats to the slat bearers with wood screws (J).



STEP 5: Put the decking over the slats, secure decking to the slats with wood screws (K) through the pre-drilled holes in the decking as shown below.



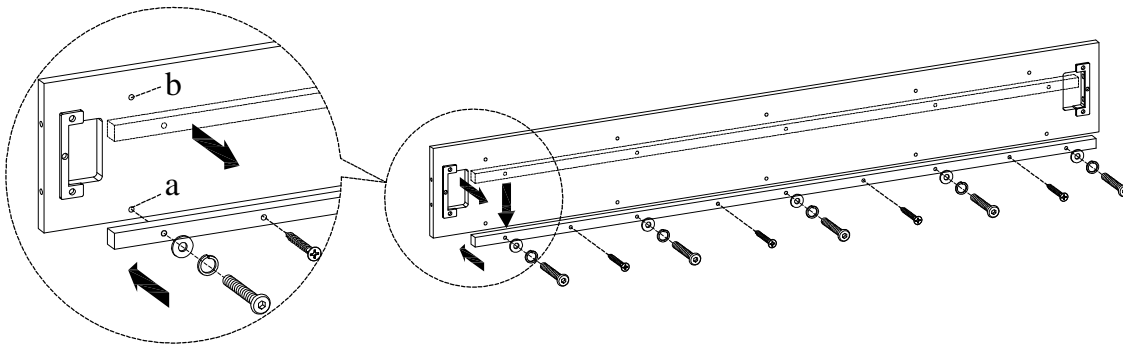


ITEM NO: I597-400
I597-402
I597-403

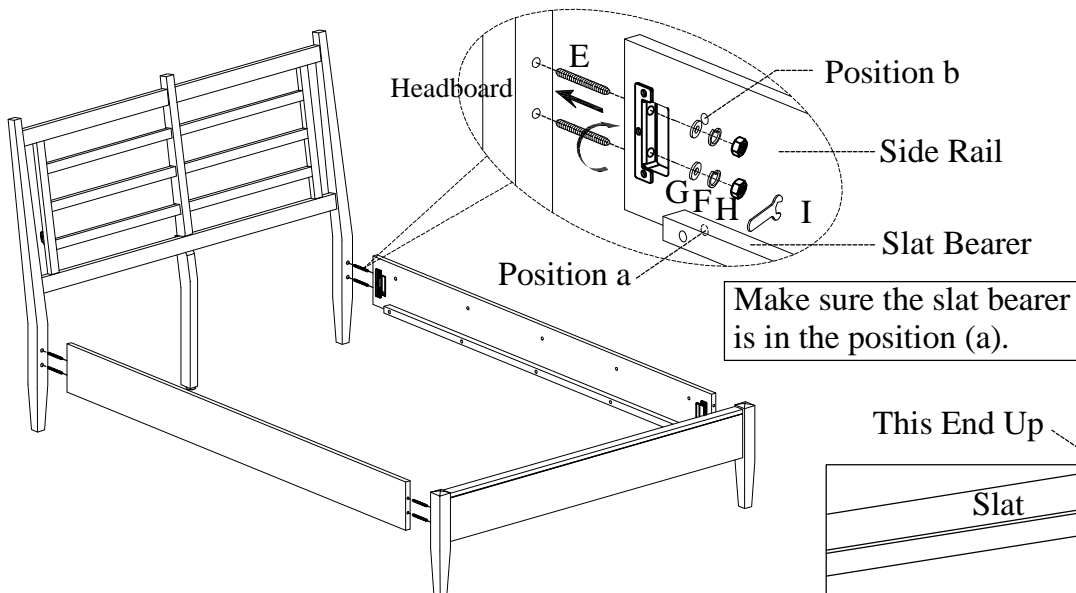
Queen Slat HB
Queen Rails w/ Decking
Queen Low Profile FB

For option 2:

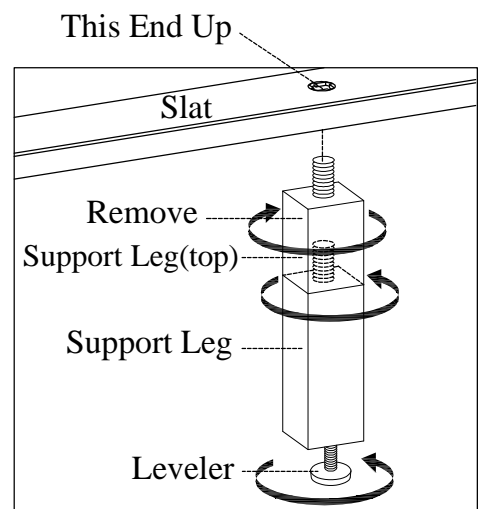
STEP 2: The slat bearers have been attached in position (b) approximately 2" from the top of the side rails for the Option 1 configuration. The slat bearers must be moved into position (a) based on this bed configuration. Remove the bolts and screws from the slat bearers and side rails as shown below. Then re-attach the slat bearers to the side rails in position (a) with bolts, lock washers, flat washers, and screws. **Caution: Do not over tighten bolts as this may loosen the threaded inserts in the side rails.**

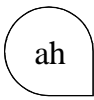


STEP 3: Screw the bolts(E) into HB & FB. Make sure the slat bearer is in the position (a). Align the bolts with the holes in the end of side rails and attach the side rails to HB & FB using flat washer(G), lock washers(F) and nuts(H). Then use a hex wrench(I) to tighten all the nuts.



STEP 4: Remove the support legs (top) as shown in the picture to the right. Attach the support legs with leveler to the slats. Adjust the levelers on bottom of support legs when necessary.

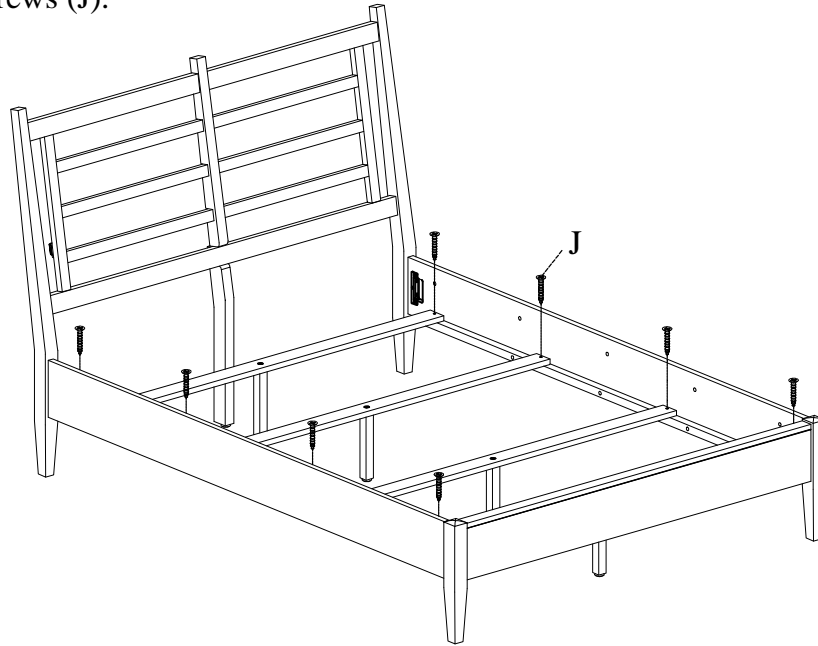




ITEM NO: I597-400
I597-402
I597-403

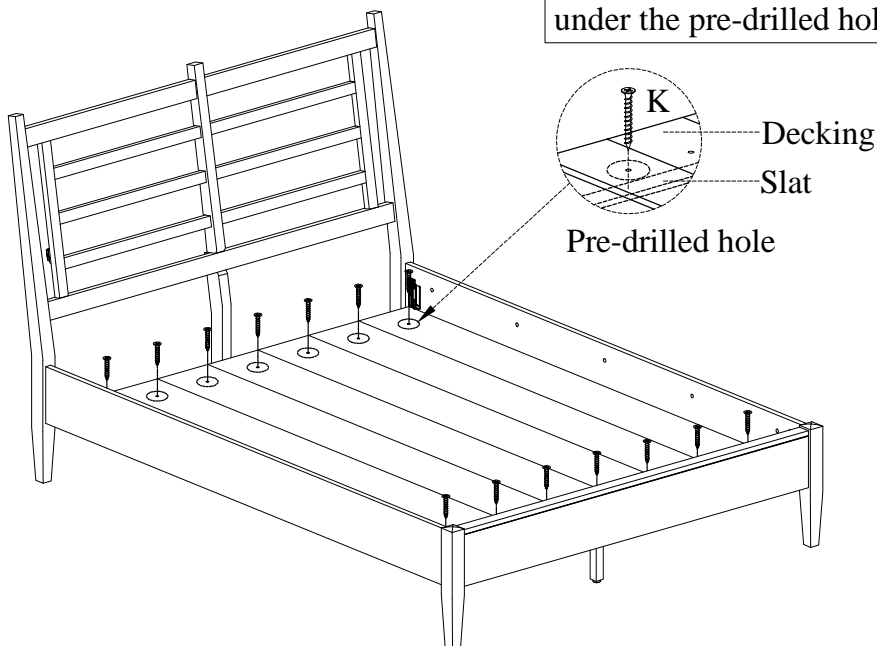
Queen Slat HB
Queen Rails w/ Decking
Queen Low Profile FB

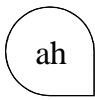
STEP 5: Arrange slats on the slat bearers and then lay the decking on top of the slats. Make sure the top and bottom slats are situated underneath the pre-drilled holes as shown in STEP 6. Remove the decking and attach slats to the slat bearers with wood screws (J).



STEP 6: Put the decking over the slats, secure decking to the slats with wood screws (K) through the pre-drilled holes in the decking as shown below.

Make sure that there is a slat under the pre-drilled hole.



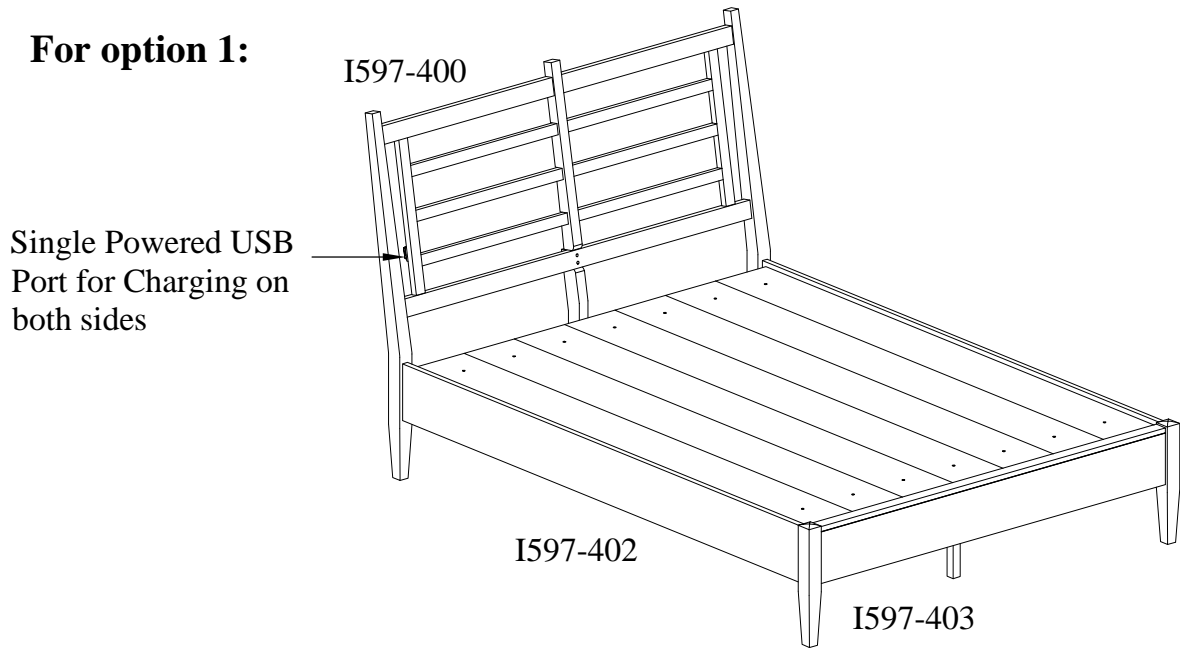


ITEM NO: I597-400
I597-402
I597-403

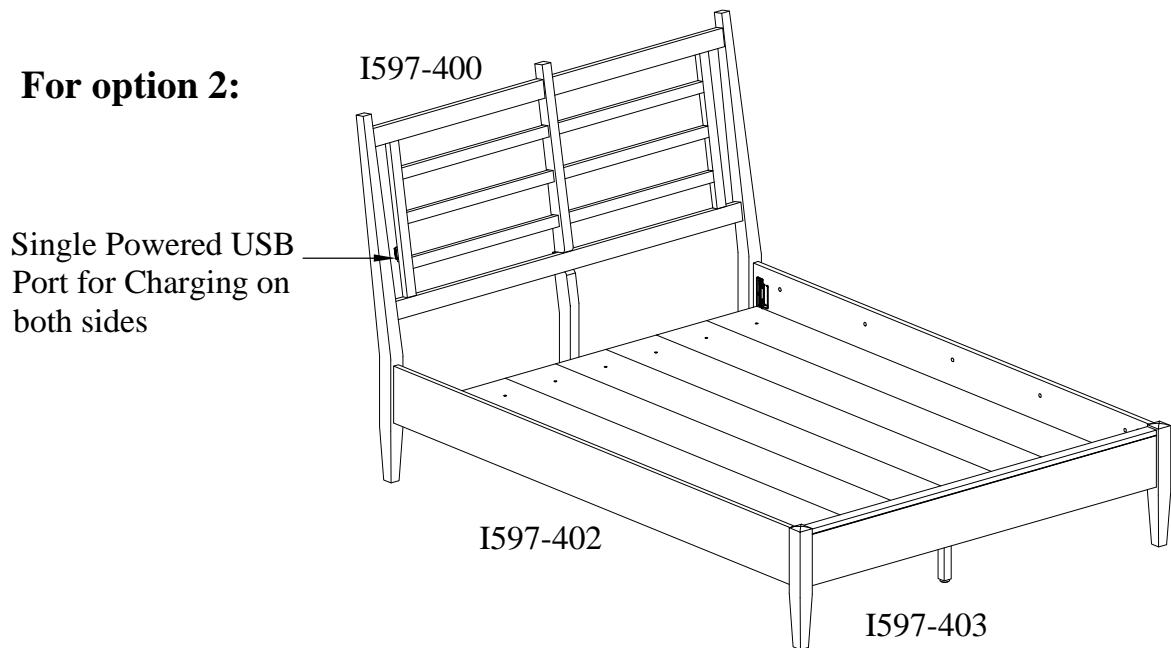
Queen Slat HB
Queen Rails w/ Decking
Queen Low Profile FB

FUNCTIONALITY INSTRUCTION

For option 1:



For option 2:

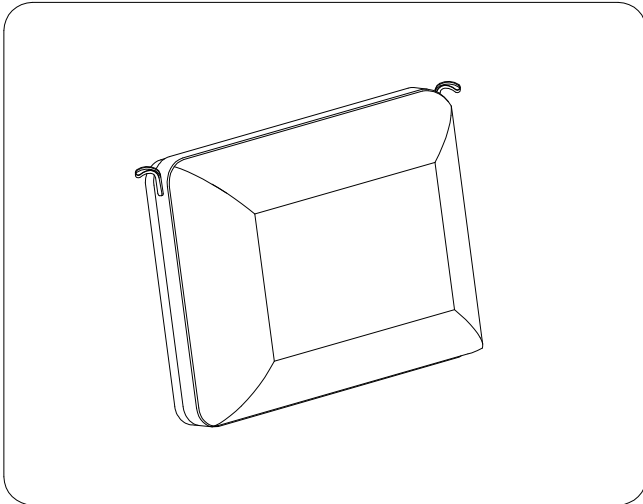




ITEM NO: I597-400P

Queen Pillows (for I597-400)

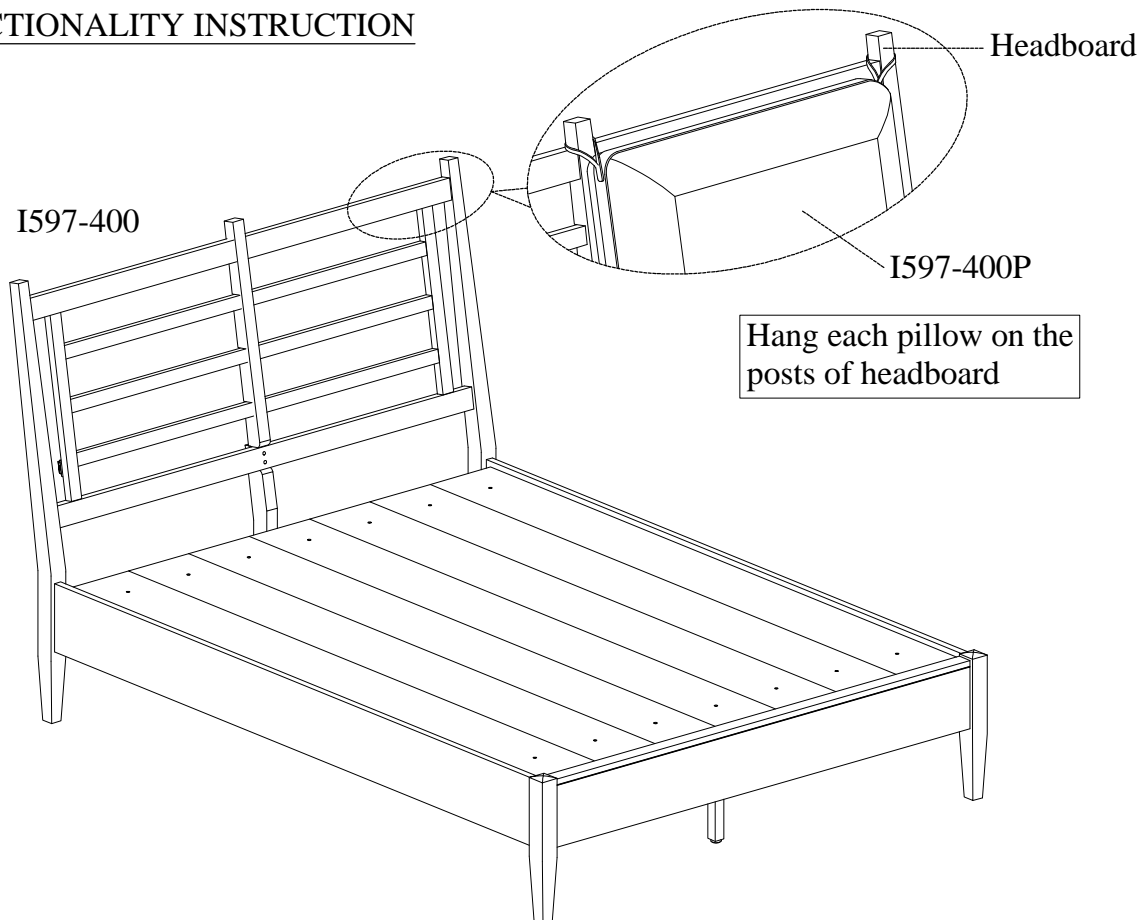
Thank you for purchasing this quality product. Be sure to check all packing material carefully for small parts that may come loose inside the carton during shipment.



| |
|-------------------------------|
| TOOLS REQUIRED (NOT PROVIDED) |
| PHILLIPS SCREWDRIVER |

| COMPONENTS LIST: | | | |
|------------------|-------------|--------|----------|
| No. | Description | Sketch | Quantity |
| 1 | Pillow | | 2 PCS |

FUNCTIONALITY INSTRUCTION



BEFORE USING THIS PRODUCT PLEASE READ, UNDERSTAND, AND FOLLOW THESE INSTRUCTIONS. Save these instructions for future reference.

FOR INDOOR USE ONLY

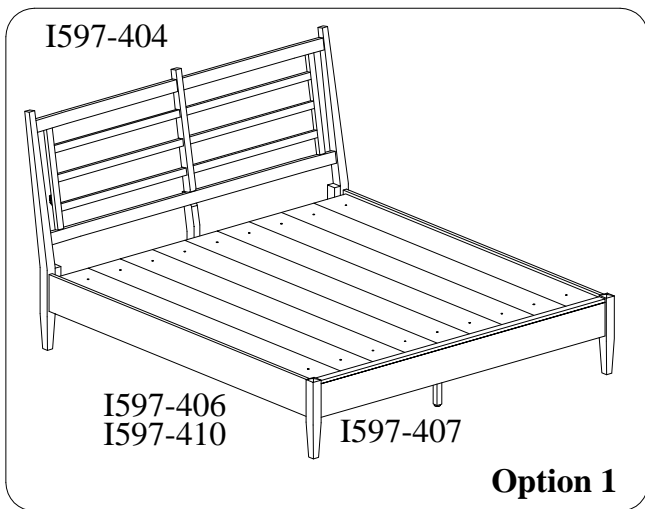


ITEM NO: I597-404 King Slat HB
 I597-406 King Rails w/ Decking
 I597-410 Cal King Rails w/ Decking
 I597-407 King Low Profile FB

Thank you for purchasing this quality product. Be sure to check all packing material carefully for small parts that may come loose inside the carton during shipment.

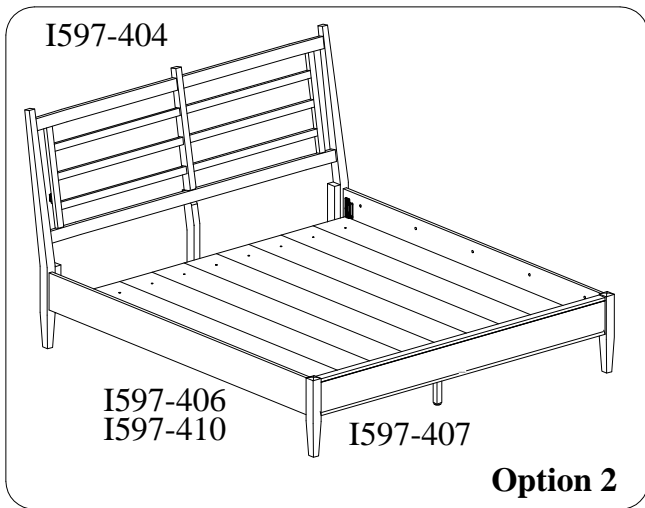


UNIT SHOULD BE INSTALLED BY 2 OR MORE PERSONS.



All Beds need to be set up in the exact final location so that after full assembly it will not need to be moved. Moving the bed will cause the support legs to move out of perpendicular (90 degree), weaken the support system, and may allow the bed to collapse.

| |
|-------------------------------|
| TOOLS REQUIRED (NOT PROVIDED) |
| PHILLIPS SCREWDRIVER |



BEFORE USING THIS PRODUCT PLEASE READ, UNDERSTAND, AND FOLLOW THESE INSTRUCTIONS. Save these instructions for future reference.

FOR INDOOR USE ONLY



ITEM NO: I597-404 King Slat HB
 I597-406 King Rails w/ Decking
 I597-410 Cal King Rails w/ Decking
 I597-407 King Low Profile FB

| HARDWARE LIST: I597-404 | | | |
|-------------------------|--------------------------|--------|----------|
| No. | Description | Sketch | Quantity |
| A | Bolt Ø1/4" x 1-1/4" | | 10 PCS |
| B | Lock Washer Ø1/4" | | 10 PCS |
| C | Flat Washer Ø1/4" x 3/4" | | 10 PCS |
| D | Allen Wrench 4mm | | 1 PC |

| COMPONENTS LIST: I597-404 | | | |
|---------------------------|--------------------|--------|----------|
| No. | Description | Sketch | Quantity |
| 1 | Headboard | | 1 PC |
| 2 | Left leg | | 1 PC |
| 3 | Right leg | | 1 PC |
| 4 | Center Support Leg | | 1 PC |

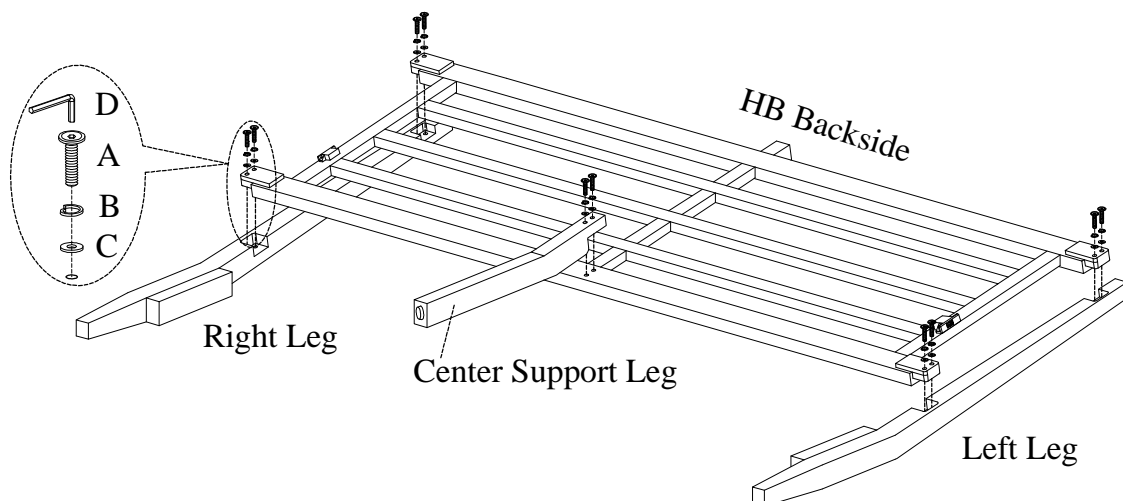
| HARDWARE LIST: I597-406/410 | | | |
|-----------------------------|------------------------------------|--------|----------|
| No. | Description | Sketch | Quantity |
| E | Hanger Bolt Ø5/16" x 3-1/8" | | 8 PCS |
| F | Lock Washer Ø5/16" | | 8 PCS |
| G | Flat Washer Ø5/16" x 5/8" | | 8 PCS |
| H | Hex Nut Ø5/16" | | 8 PCS |
| I | Hex Wrench | | 1 PC |
| J | Wood Screw M4 x 1-3/16" | | 10 PCS |
| K | Wood Screw #4 x 3/4"(only for-406) | | 18 PCS |
| L | Wood Cap (only for 410) | | 8 PCS |
| M | Wood Screw #4 x 3/4"(only for-410) | | 16 PCS |

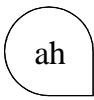
| COMPONENTS LIST: I597-406 | | | |
|---------------------------|-------------|--------|----------|
| No. | Description | Sketch | Quantity |
| 1 | Bed rails | | 2 PCS |
| 2 | Slats | | 5 PCS |
| 3 | Decking | | 9 PCS |

| COMPONENTS LIST: I597-410 | | | |
|---------------------------|-------------|--------|----------|
| No. | Description | Sketch | Quantity |
| 1 | Bed rails | | 2 PCS |
| 2 | Slats | | 5 PCS |
| 3 | Decking | | 8 PCS |

| COMPONENTS LIST: I597-407 | | | |
|---------------------------|-------------------------|--------|----------|
| No. | Description | Sketch | Quantity |
| 1 | Footboard | | 1 PC |
| 2 | Support Leg (for slats) | | 5 Set |

STEP 1: Lay the headboard face down on a soft surface. Attach the left leg, right leg and center support leg to headboard by using 10 bolts(A), lock washers(B) and flat washers(C) as shown below. Completely tighten all bolts.

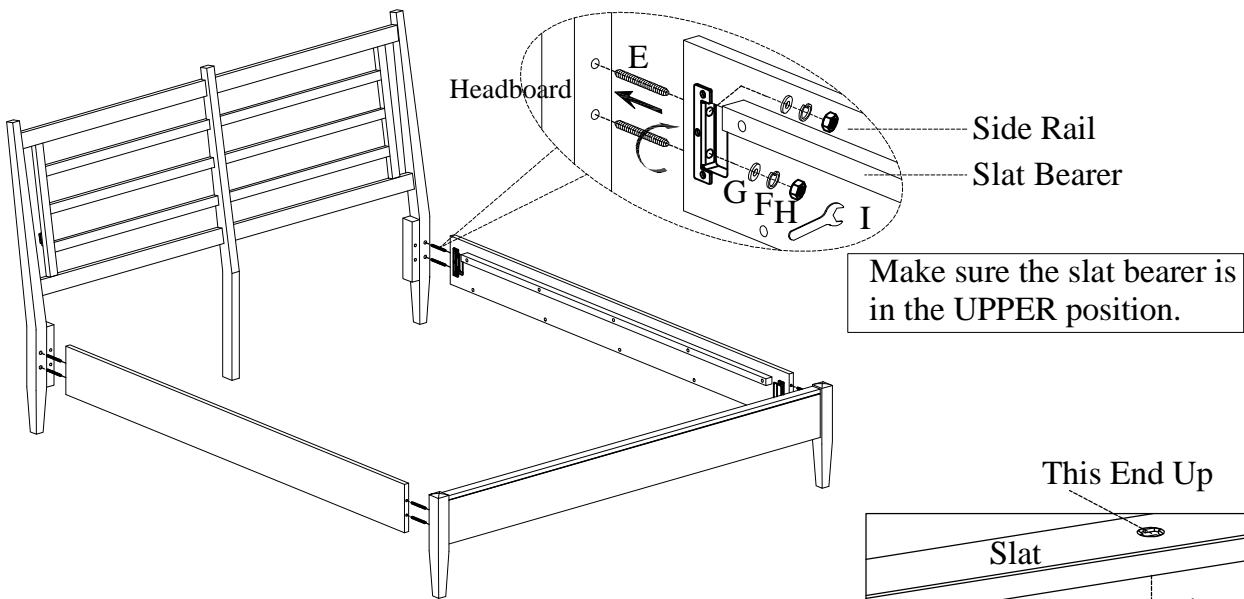




- ITEM NO: I597-404 King Slat HB
 I597-406 King Rails w/ Decking
 I597-410 Cal King Rails w/ Decking
 I597-407 King Low Profile FB

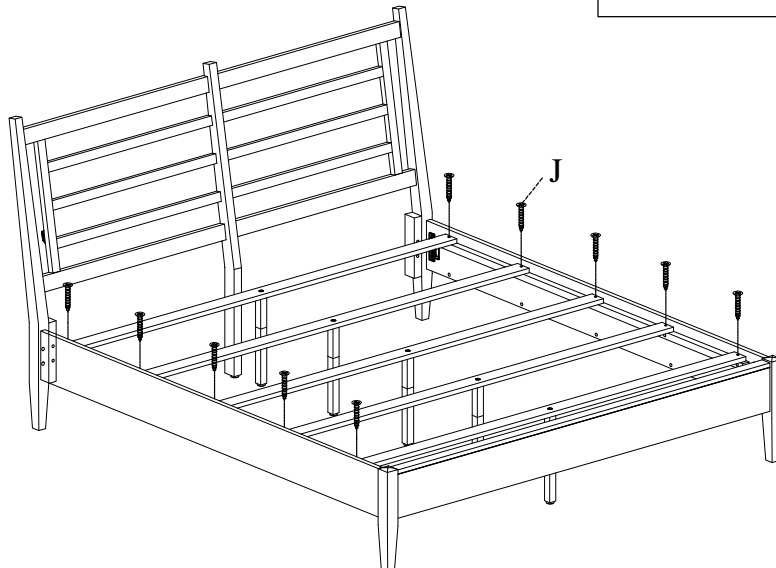
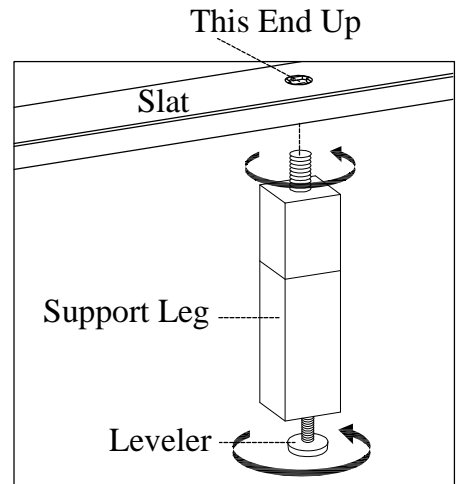
For option 1:

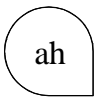
STEP 2: Screw the bolts(E) into HB & FB. Make sure the slat bearer is in the UPPER position. Align the bolts with the holes in the end of side rails and attach the side rails to HB & FB using flat washer(G), lock washers(F) and nuts(H). Then use a hex wrench(I) to tighten all the nuts.



STEP 3: Attach the support legs with leveler to the slats. Adjust the levelers on bottom of support legs when necessary.

STEP 4: Arrange slats on the slat bearers and then lay the decking on top of the slats. Make sure the top and bottom slats are situated underneath the pre-drilled holes as shown in STEP 5. Remove the decking and attach slats to the slat bearers with wood screws (J).

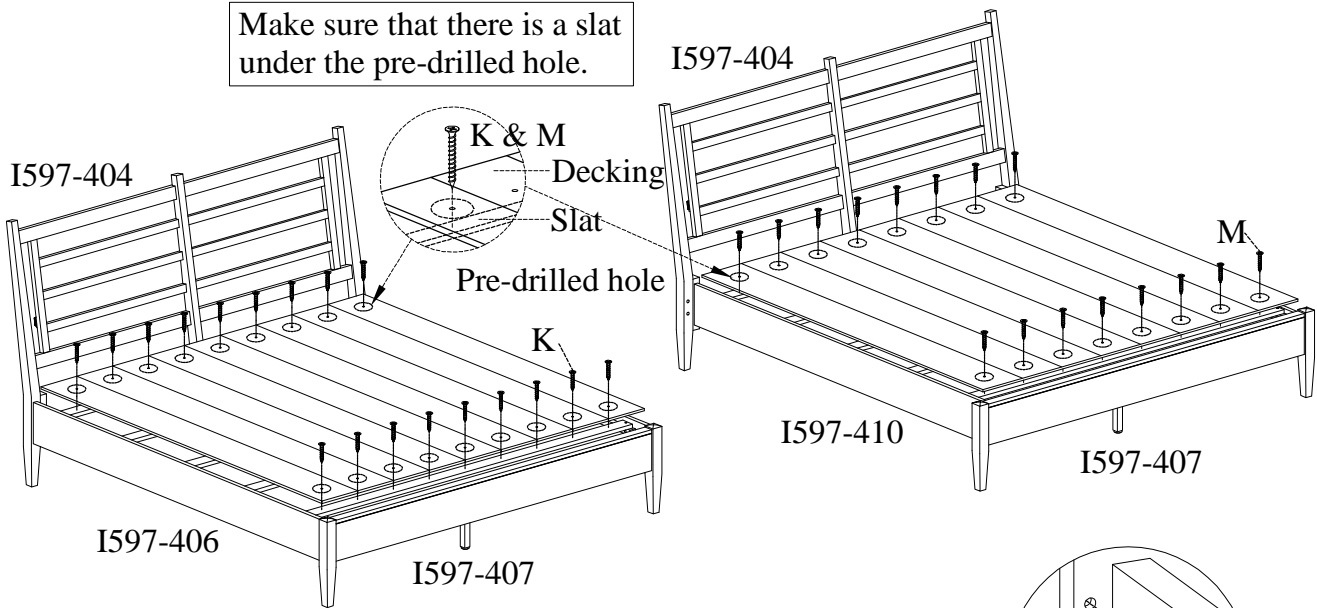




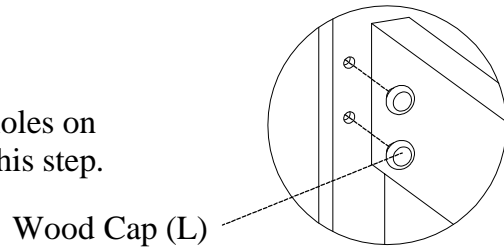
- ITEM NO: I597-404 King Slat HB
- I597-406 King Rails w/ Decking
- I597-410 Cal King Rails w/ Decking
- I597-407 King Low Profile FB

STEP 5: Put the decking over the slats, secure decking to the slats with wood screws (K & M) through the pre-drilled holes in the decking as shown below.

Make sure that there is a slat under the pre-drilled hole.



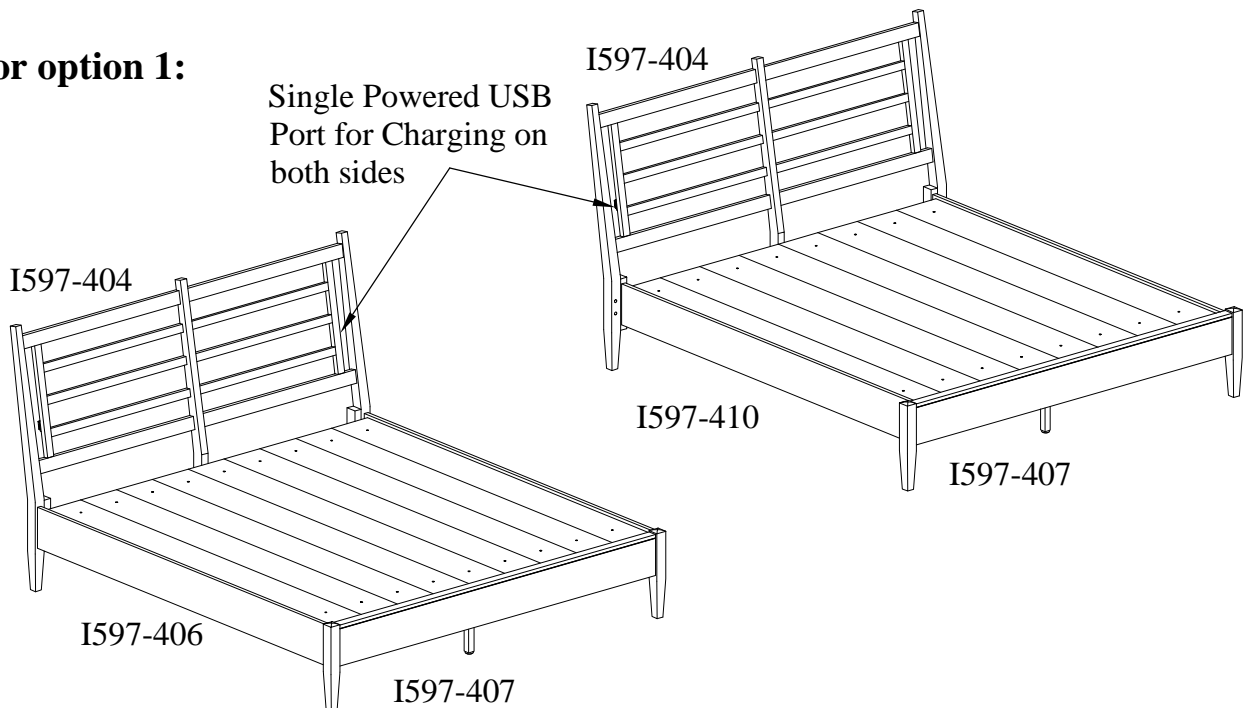
STEP 6: For Cal King bed, insert wood caps into the holes on headboard and footboard. For regular King bed, skip this step.

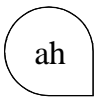


FUNCTIONALITY INSTRUCTION

For option 1:

Single Powered USB Port for Charging on both sides

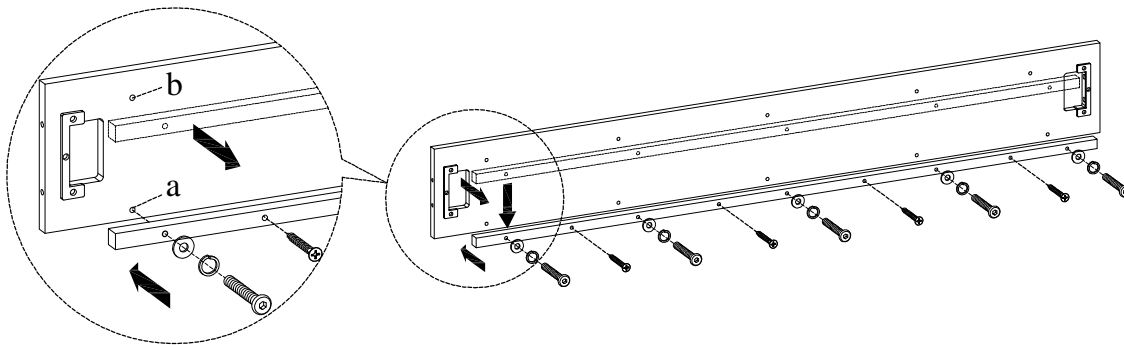




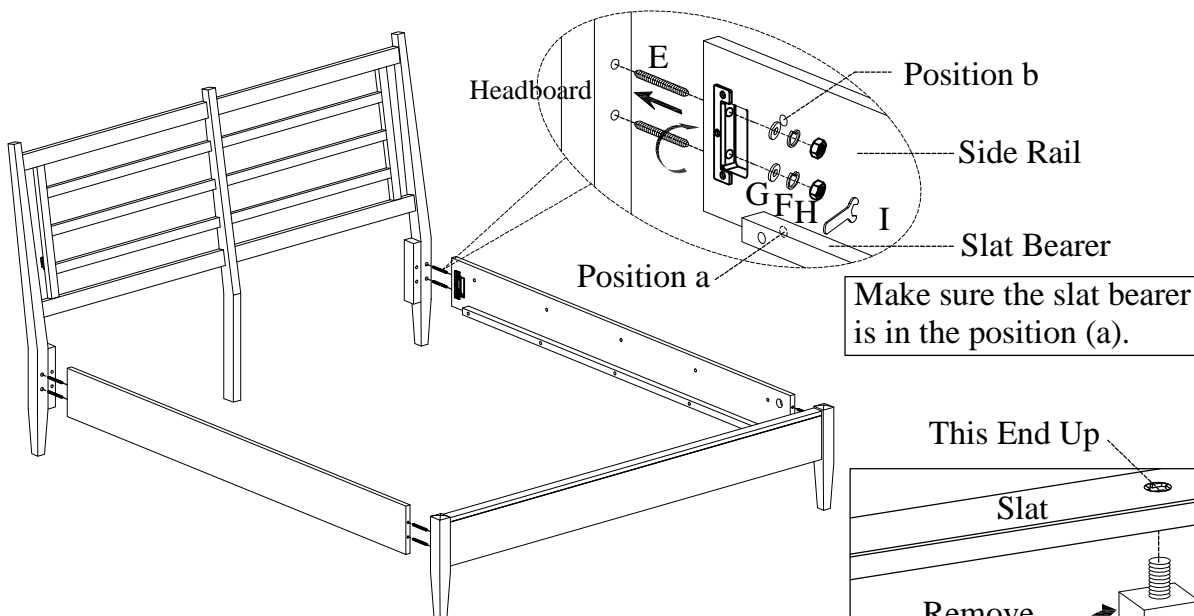
- | | |
|-------------------|---------------------------|
| ITEM NO: I597-404 | King Slat HB |
| I597-406 | King Rails w/ Decking |
| I597-410 | Cal King Rails w/ Decking |
| I597-407 | King Low Profile FB |

For option 2:

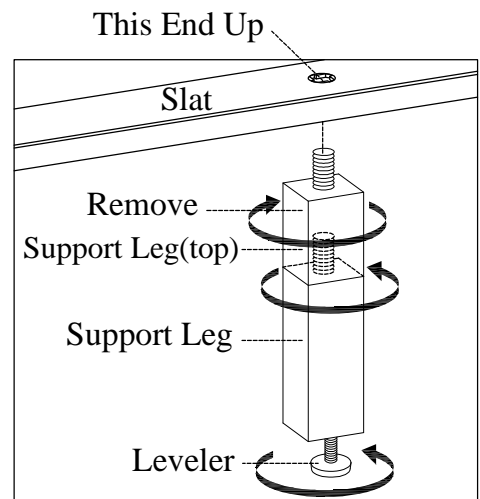
STEP 2: The slat bearers have been attached in position (b) approximately 2" from the top of the side rails for the Option 1 configuration. The slat bearers must be moved into position (a) based on this bed configuration. Remove the bolts and screws from the slat bearers and side rails as shown below. Then re-attach the slat bearers to the side rails in position (a) with bolts, lock washers, flat washers, and screws. **Caution: Do not over tighten bolts as this may loosen the threaded inserts in the side rails.**

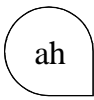


STEP 3: Screw the bolts(E) into HB & FB. Make sure the slat bearer is in the position (a). Align the bolts with the holes in the end of side rails and attach the side rails to HB & FB using flat washer(G), lock washers(F) and nuts(H). Then use a hex wrench(I) to tighten all the nuts.



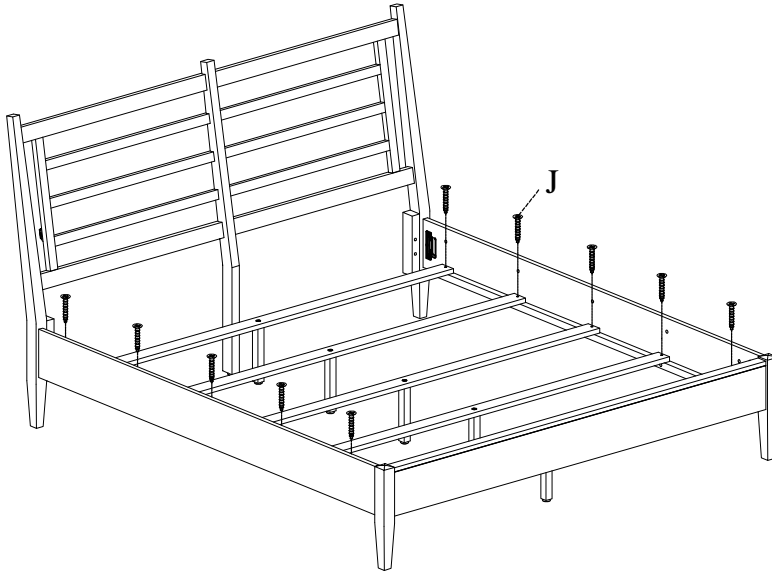
STEP 4: Remove the support legs (top) as shown in the picture to the right. Attach the support legs with leveler to the slats. Adjust the levelers on bottom of support legs when necessary.



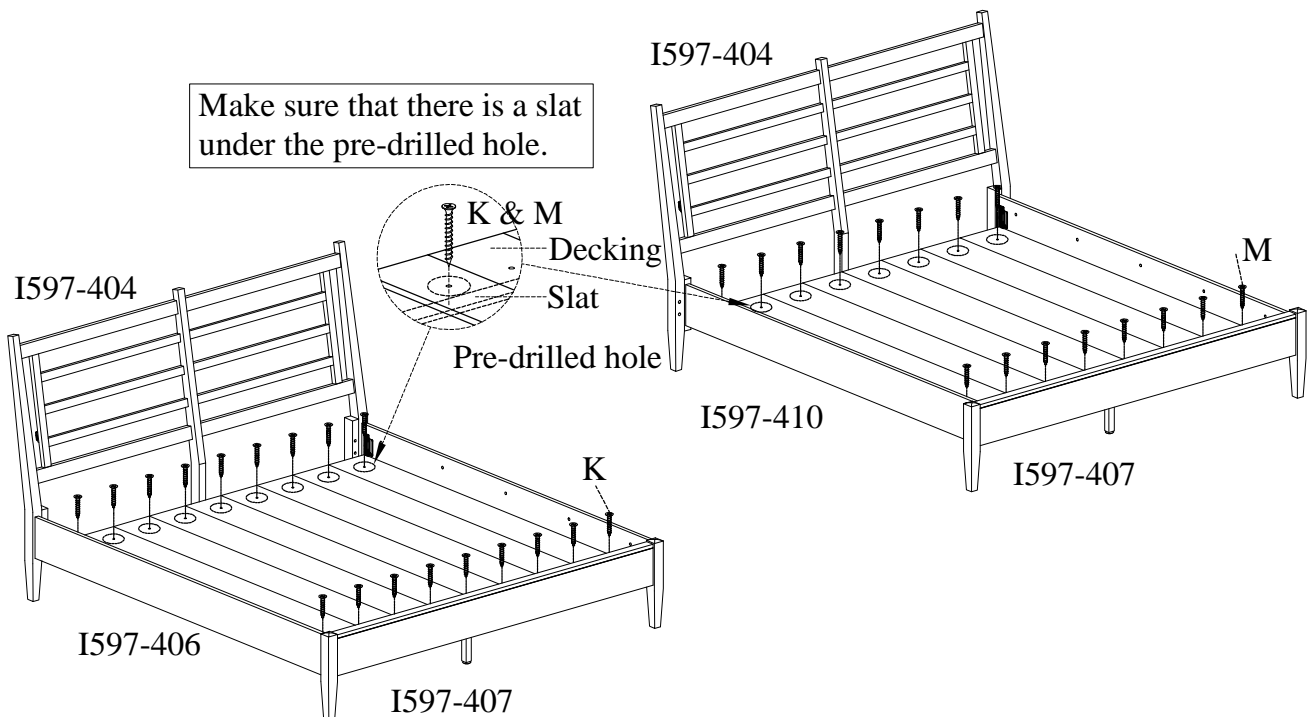


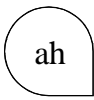
- | | |
|-------------------|---------------------------|
| ITEM NO: I597-404 | King Slat HB |
| I597-406 | King Rails w/ Decking |
| I597-410 | Cal King Rails w/ Decking |
| I597-407 | King Low Profile FB |

STEP 5: Arrange slats on the slat bearers and then lay the decking on top of the slats. Make sure the top and bottom slats are situated underneath the pre-drilled holes as shown in STEP 6. Remove the decking and attach slats to the slat bearers with wood screws (J).



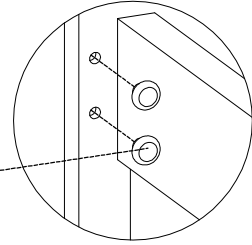
STEP 6: Put the decking over the slats, secure decking to the slats with wood screws (K & M) through the pre-drilled holes in the decking as shown below.





- | | |
|-------------------|---------------------------|
| ITEM NO: I597-404 | King Slat HB |
| I597-406 | King Rails w/ Decking |
| I597-410 | Cal King Rails w/ Decking |
| I597-407 | King Low Profile FB |

STEP 7: For Cal King bed, insert wood caps into the holes on headboard and footboard. For regular King bed, skip this step.



Wood Cap (L)

FUNCTIONALITY INSTRUCTION

For option 2:

