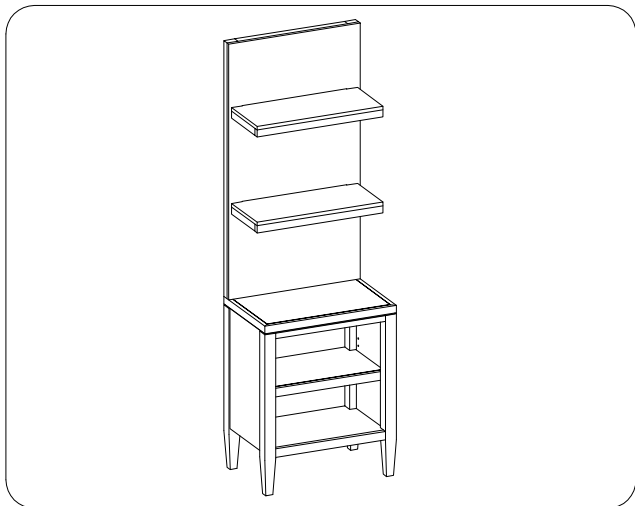




ITEM NO: I597-225

Open Pier

Thank you for purchasing this quality product. Be sure to check all packing material carefully for small parts that may come loose inside the carton during shipment.



TOOLS REQUIRED (NOT PROVIDED)

PHILLIPS SCREWDRIVER

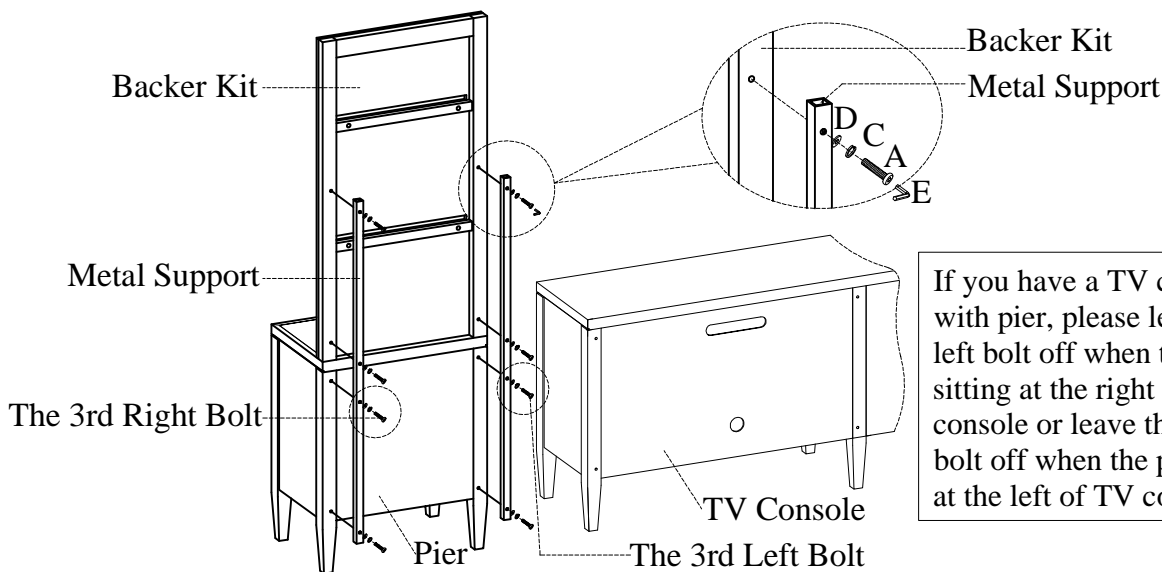
HARDWARE LIST:

No.	Description	Sketch	Quantity
A	Bolt Ø1/4" x 1-1/2"		8 PCS
B	Bolt Ø1/4" x 2-1/8"		4 PCS
C	Lock Washer Ø1/4"		13 PCS
D	Flat Washer Ø1/4" x 3/4"		13 PCS
E	Allen Wrench 4mm		1 PC
F	Bolt Ø1/4" x 3/4"		1 PC
G	"Z" Metal Bracket		1 PC

COMPONENTS LIST:

No.	Description	Sketch	Quantity
1	Case		1 PC
2	Backer Kit		1 PC
3	Floating Shelf		2 PCS
4	Metal Support		2 PCS

STEP 1: Place the backer kit on the case with the metal support by using 8 bolts(A), lock washers(C) and flat washers(D) as shown below. If you have a TV console to go with pier, please leave the 3rd bolt off from top down. Completely tighten all bolts.



If you have a TV console to go with pier, please leave the 3rd left bolt off when the pier is sitting at the right of TV console or leave the 3rd right bolt off when the pier is sitting at the left of TV console.

BEFORE USING THIS PRODUCT PLEASE READ, UNDERSTAND, AND FOLLOW THESE INSTRUCTIONS.
Save these instructions for future reference.

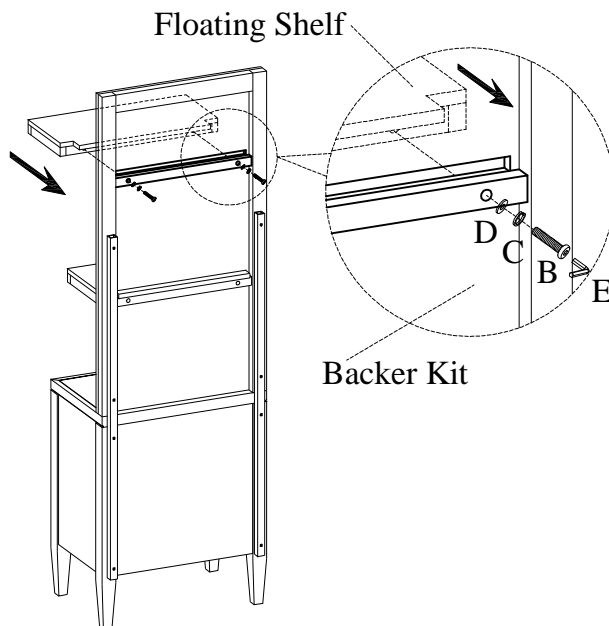
FOR INDOOR USE ONLY



ITEM NO: I597-225

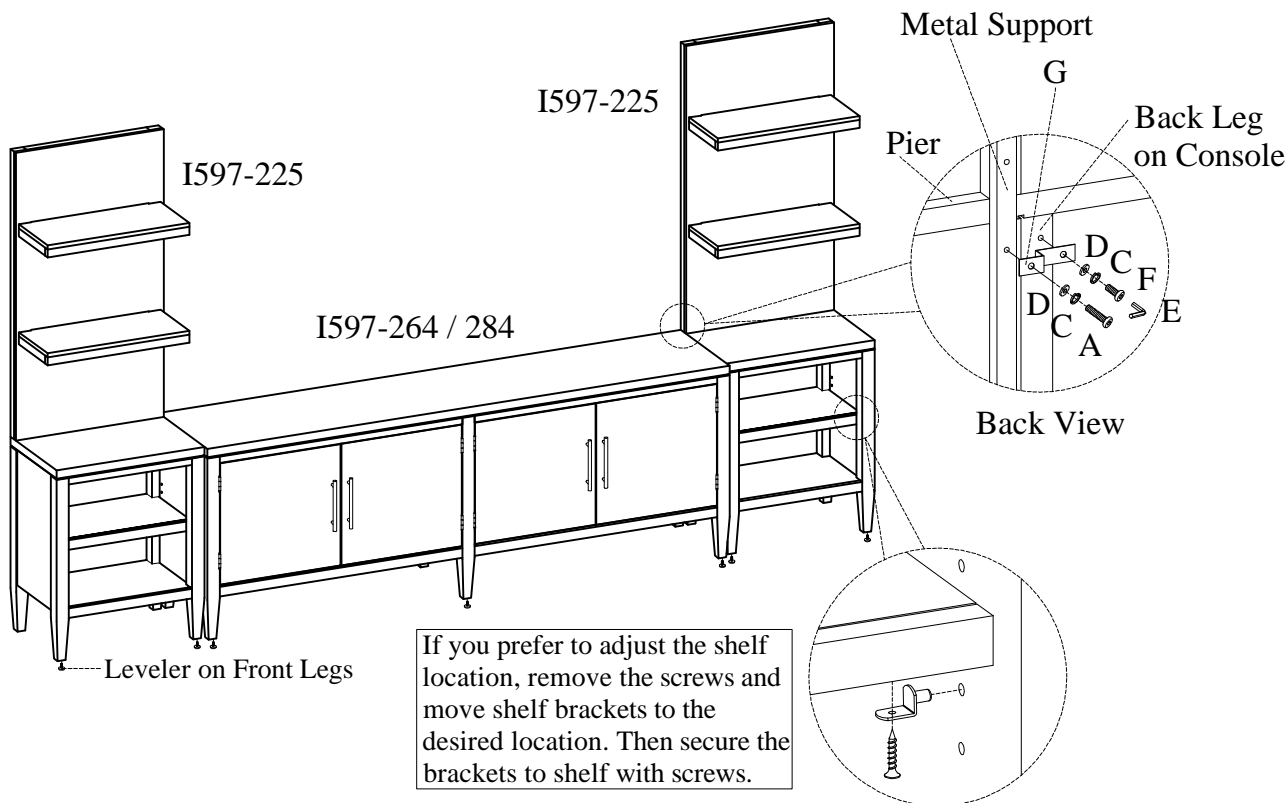
Open Pier

STEP 2: Insert the floating shelves in to the groove of backer kit and attach it by using 4 bolts(B), lock washers(C), flat washers(D). Make sure it was fixed on backer kit firmly.



FUNCTIONALITY INSTRUCTION

When the pier gets combined with console, please attach the "Z" metal bracket (G) by using bolt(A) and bolt(F), lock washers(C), flat washers(D) shown as below.

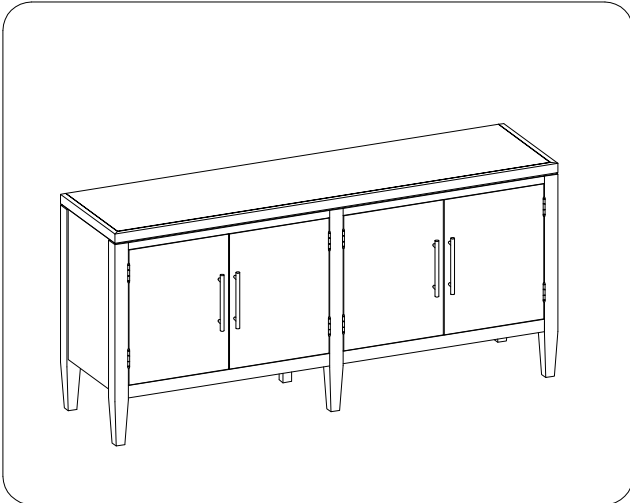




ITEM NO: I597-264

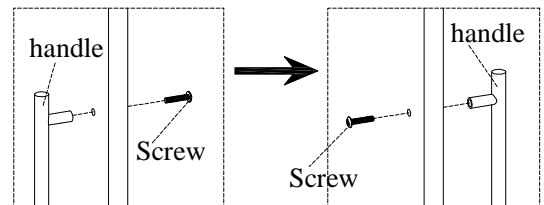
65" Console

Thank you for purchasing this quality product. Be sure to check all packing material carefully for small parts that may come loose inside the carton during shipment.

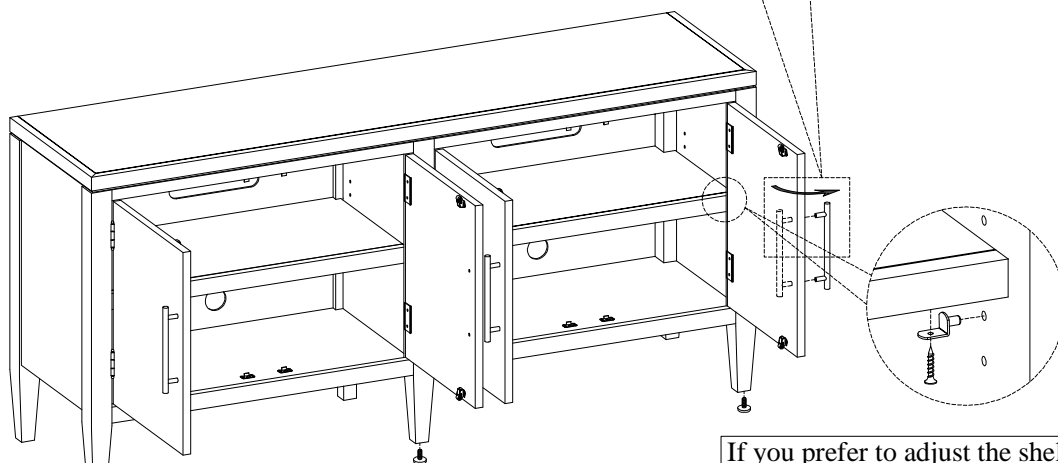


TOOLS REQUIRED (NOT PROVIDED)
PHILLIPS SCREWDRIVER

STEP 1: Reverse each handle by removing the screws while each door is open and attach all handles to the front of the doors with screws as shown below.



FUNCTIONALITY INSTRUCTION



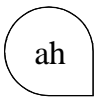
Leveler on Front Legs

Adjust the leveler when necessary

If you prefer to adjust the shelf location, remove the screws and move shelf brackets to the desired location. Then secure the brackets to shelf with screws.

BEFORE USING THIS PRODUCT PLEASE READ, UNDERSTAND, AND FOLLOW THESE INSTRUCTIONS. Save these instructions for future reference.

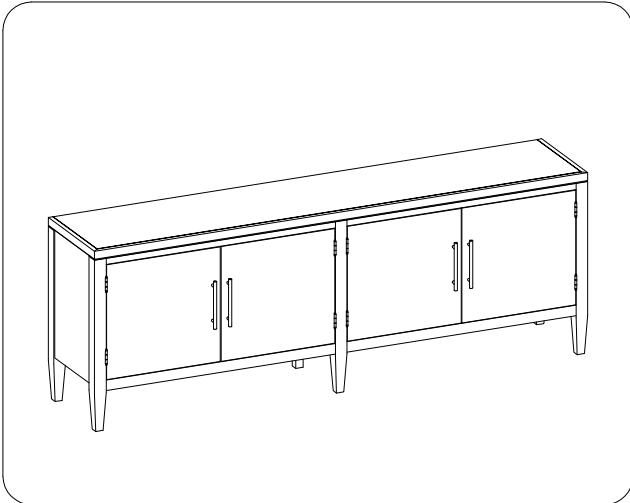
FOR INDOOR USE ONLY



ITEM NO: I597-284

85" Console

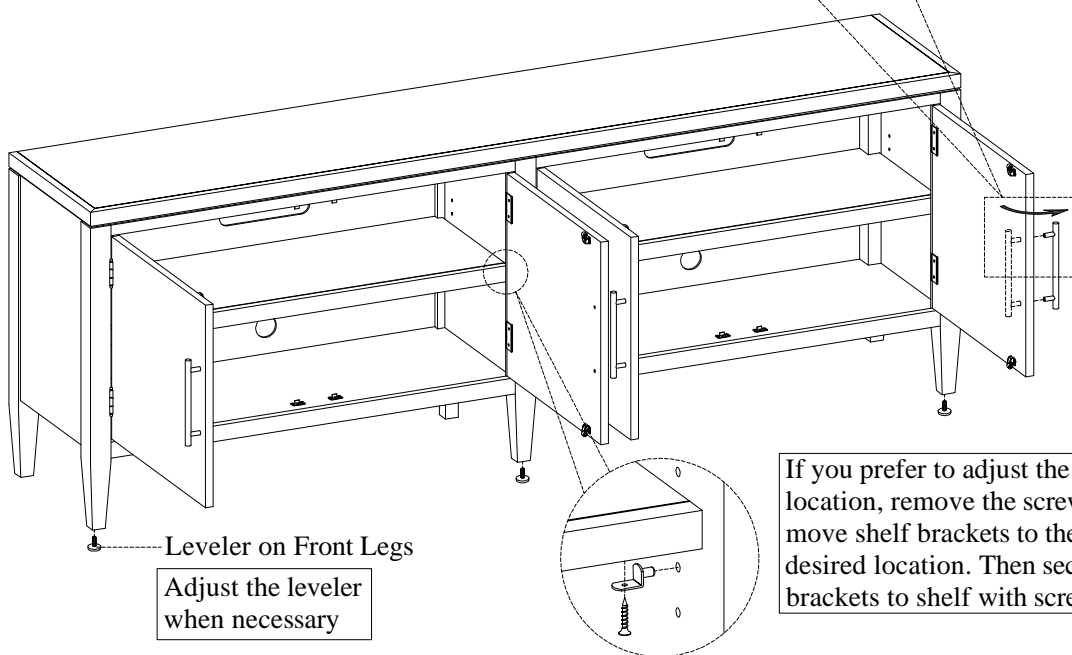
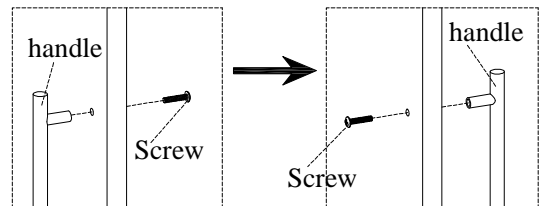
Thank you for purchasing this quality product. Be sure to check all packing material carefully for small parts that may come loose inside the carton during shipment.



TOOLS REQUIRED (NOT PROVIDED)
PHILLIPS SCREWDRIVER

STEP 1: Reverse each handle by removing the screws while each door is open and attach all handles to the front of the doors with screws as shown below.

FUNCTIONALITY INSTRUCTION



BEFORE USING THIS PRODUCT PLEASE READ, UNDERSTAND, AND FOLLOW THESE INSTRUCTIONS. Save these instructions for future reference.

FOR INDOOR USE ONLY