

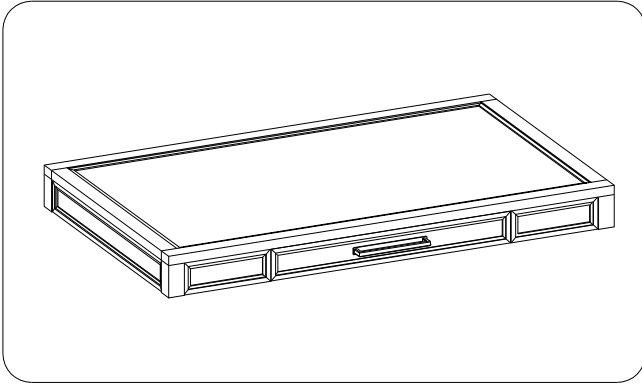


ITEM NO: I631-996 Adj. Cocktail Table (for IUAB-902)

Thank you for purchasing this quality product. Be sure to check all packing material carefully for small parts that may come loose inside the carton during shipment.

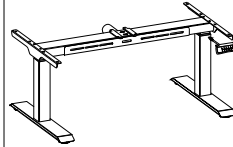
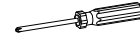


**UNIT SHOULD BE INSTALLED BY 2 OR MORE PERSONS.**



### TOOLS REQUIRED (NOT PROVIDED)

PHILLIPS SCREWDRIVER



Assembly instructions for the Lift Mechanism are in the Lift Mechanism package. Follow the below instructions when attaching table top to the Lift Mechanism.

Lift Mechanism

### HARDWARE LIST:

No.	Description	Sketch	Quantity
A	Bolt Ø5/16" x 2"		2 PCS
B	Bolt Ø5/16" x 5/8"		8 PCS
C	Lock Washer Ø5/16"		10 PCS
D	Flat Washer Ø5/16"		10 PCS
E	Allen Wrench 5mm		1 PC
F	Bolt Ø5/32" x 5/8"		8 PCS
G	Bolt M4 x 5/8"		2 PCS
H	Plastic Wire Clip		3 PCS
I	Wood Screw M4 x 5/8"		7 PCS

### COMPONENTS LIST:

No.	Description	Sketch	Quantity
1	Table Top		1 Set
2	Side Assembly		2 PCS
3	Connecting Rail		1 PC
4	Dust panel		1 PC



Lift Mechanism-Fast Charging Dock

### FUNCTIONALITY INSTRUCTION

Lift Mechanism-Power Box

Lift Mechanism-Battery Pack w/Mounting Bracket

Electric Part Drawer

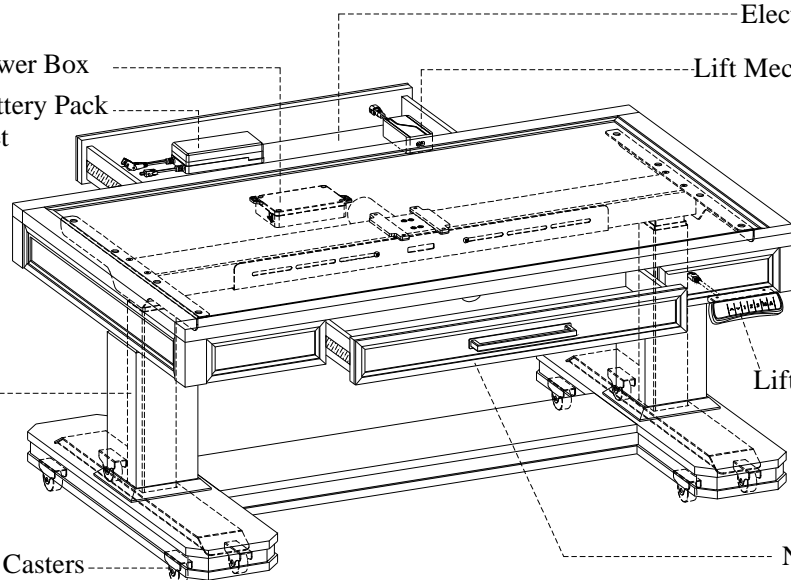
Lift Mechanism-Adapter

Lift Mechanism (IUAB-902)

Lift Mechanism-Handset

Casters

Normal Drawer



**WARNING!** Before using this product, please read, understand, and follow these instructions. Failure to follow each of these assembly instructions precisely may result in damage to the product and / or injury to the consumer.

FOR INDOOR USE ONLY



ITEM NO: I631-996 Adj. Cocktail Table (for IUAB-902)

**STEP 1:** Put the table top face down on a soft surface.

**STEP 2:** Place Lift Mechanism IUAB-902 on table top and adjust to align with threaded inserts.

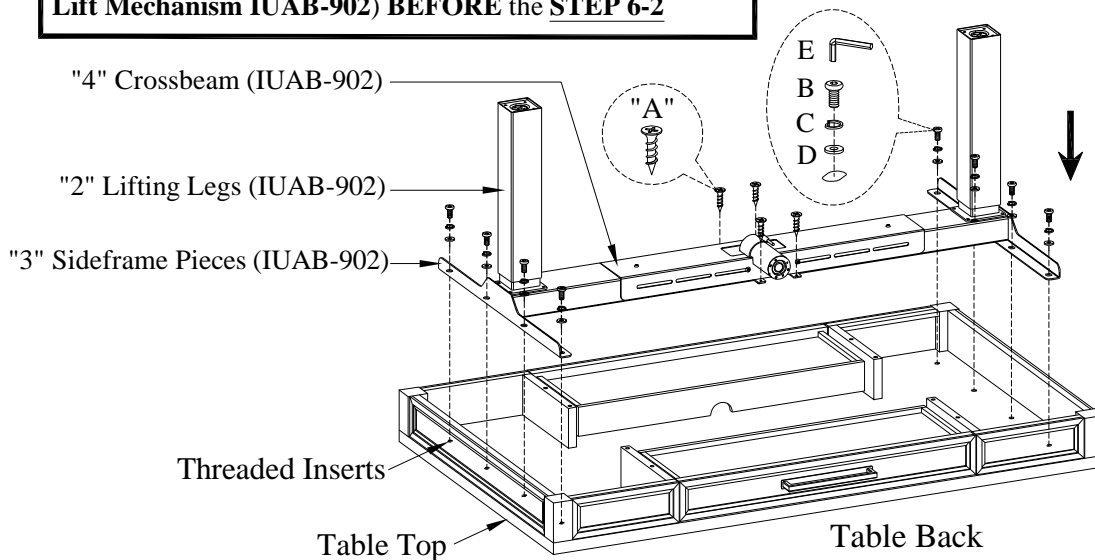
Follow **STEP 3** from the IUAB-902 assembly instructions for adjusting width of Lift Mechanism.

**STEP 3-1:** Secure lift mechanism IUAB-902 to table top by using 8 bolts (B), lock washers (C) and flat washers (D). Then use an allen wrench (E) to tighten all the bolts.

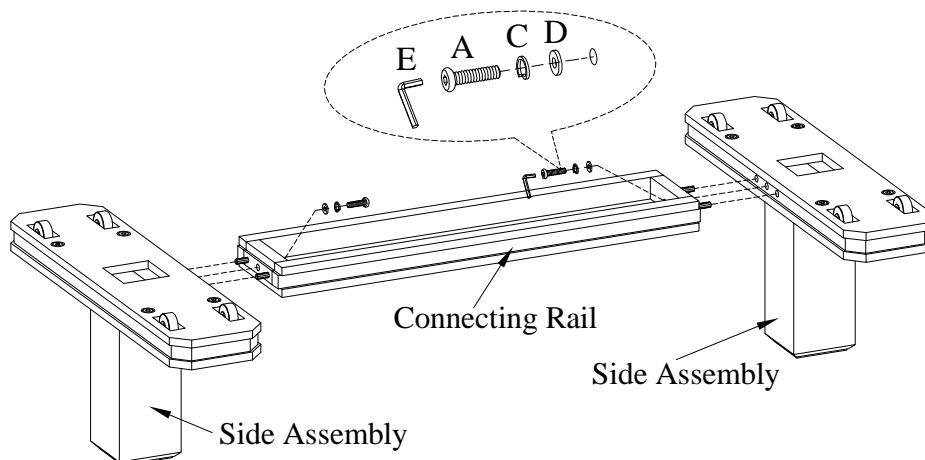
**STEP 3-2:** And secure lift mechanism IUAB-902 to table top by using 4 wood screws ("A" on hardware bag for lift table mechanism).

**STEP 3-3:** Tighten bolts that were loosened in Step 3 from the IUAB-902 assembly instructions.

**DO NOT** install the Leg Bases ("1" on the component list for Lift Mechanism IUAB-902) **BEFORE** the **STEP 6-2**



**STEP 4:** Turn the side assemblies and connecting rail upside down, attach the connecting rail to the side assemblies by using 2 bolts (A), lock washers (C) and flat washers (D) as shown below. Do not completely tighten bolts to allow some leeway for adjustment in STEP 7.

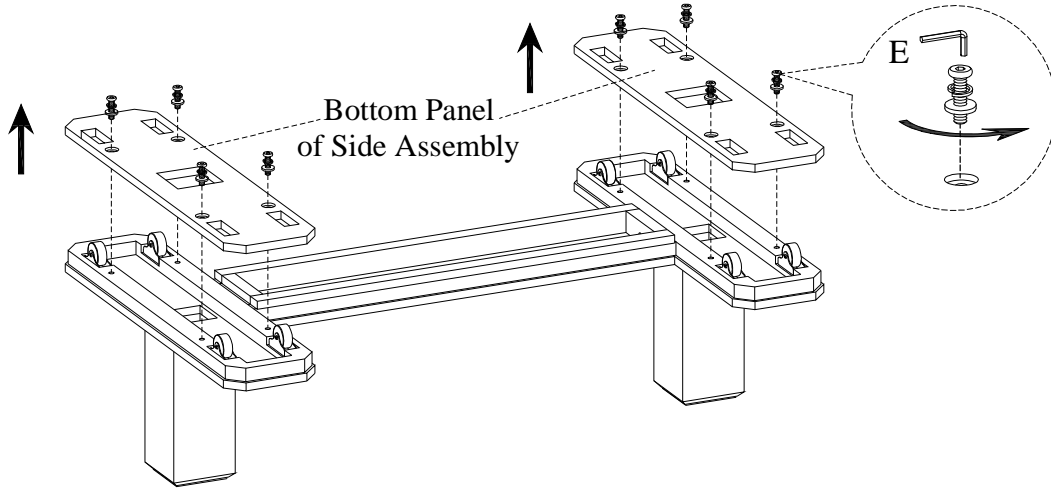


Note: Refer to Lift Mechanism assembly instructions for Control Unit operation.



ITEM NO: I631-996 Adj. Cocktail Table (for IUAB-902)

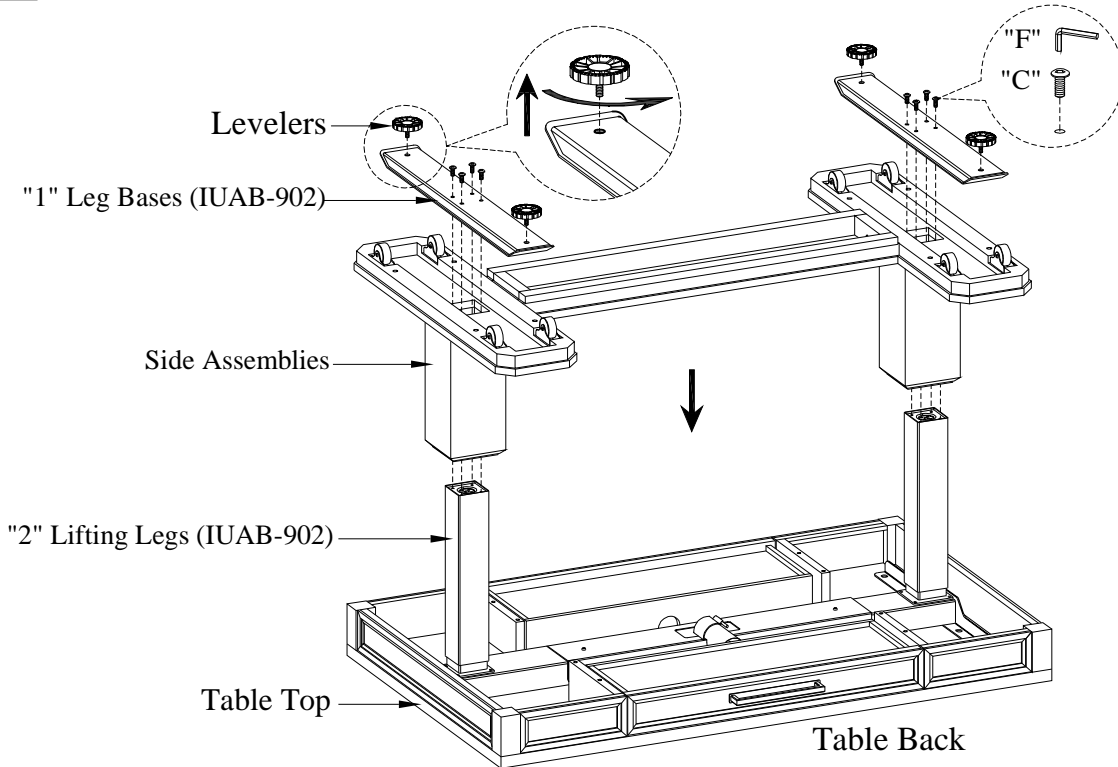
**STEP 5:** Remove the bottom panels of side assemblies shown as below. (Please save both bottom panels and hardware for using on STEP 7).



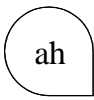
**STEP 6-1:** Slowly slide both side assemblies in the lifting legs ("2" on the component list for lift mechanism IUAB-902).

**STEP 6-2:** Secure each leg base ("1" on component list for lift mechanism IUAB-902) to the lift legs ("2" on component list for lift mechanism IUAB-902) using Qty.8 M6 x 16 mm bolts ("C" on hardware bag for lift table mechanism - 4 for each leg ), then use an allen wrench ("F" on hardware bag for lift table mechanism) to completely tighten all the Qty.8 M6 x 16 mm bolts.

**STEP 6-3:** Remove 4 levelers from both leg bases.

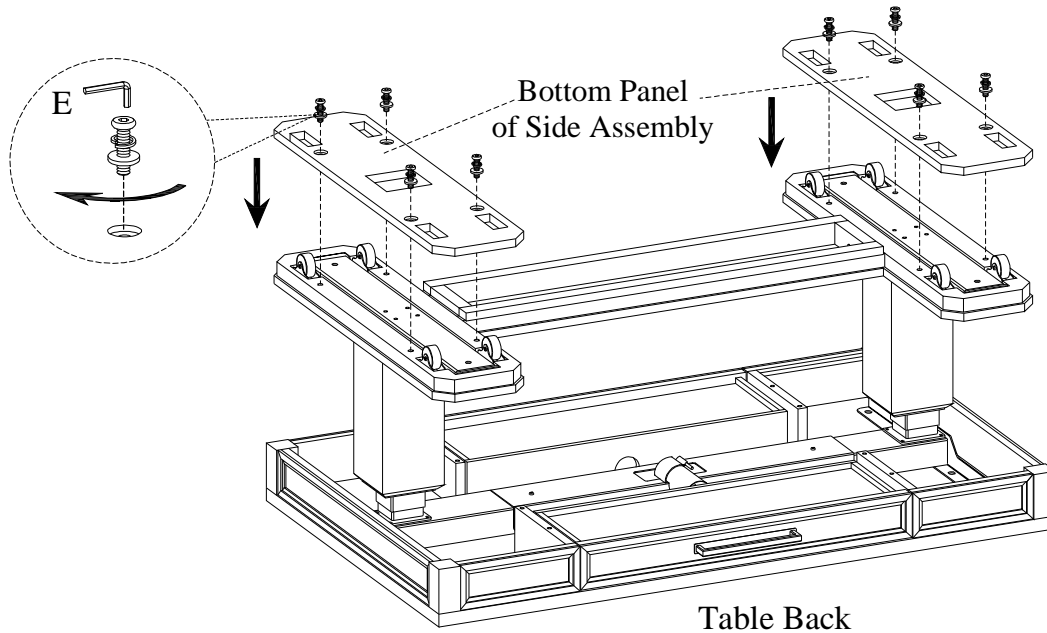


Note: Refer to Lift Mechanism assembly instructions for Control Unit operation.



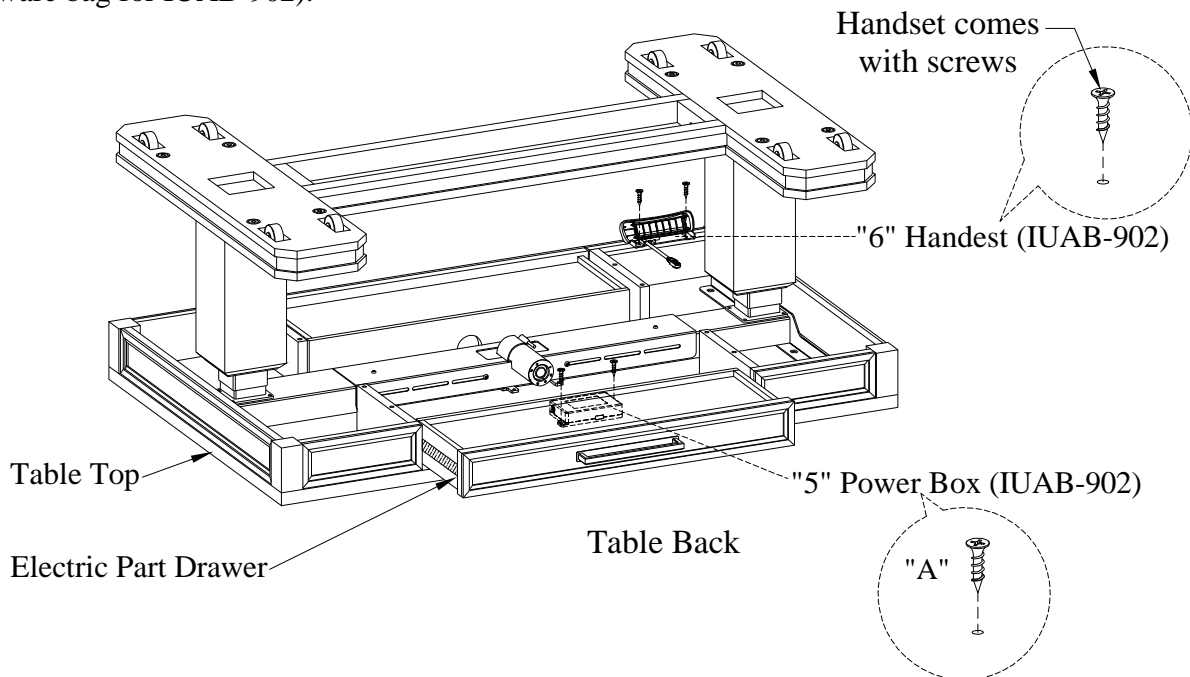
ITEM NO: I631-996 Adj. Cocktail Table (for IUAB-902)

**STEP 7:** Put back both the bottom panels of side assemblies shown as below, and completely tighten all of these 8 bolts and 2 bolts (A) in connecting rail.

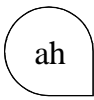


**STEP 8-1:** Attach Lift Mechanism Handset (“6” on the component list for IUAB-902) to the to the desired position with 2 screws (comes with the handset bag for IUAB-902).

**STEP 8-2:** Pull out the electric part drawer and attach the Lift Mechanism Power Box (“5” on the component list for IUAB-902) to the desired position underside the tabletop with 2 screws (“A” on hardware bag for IUAB-902).



Note: Refer to Lift Mechanism assembly instructions for Control Unit operation.



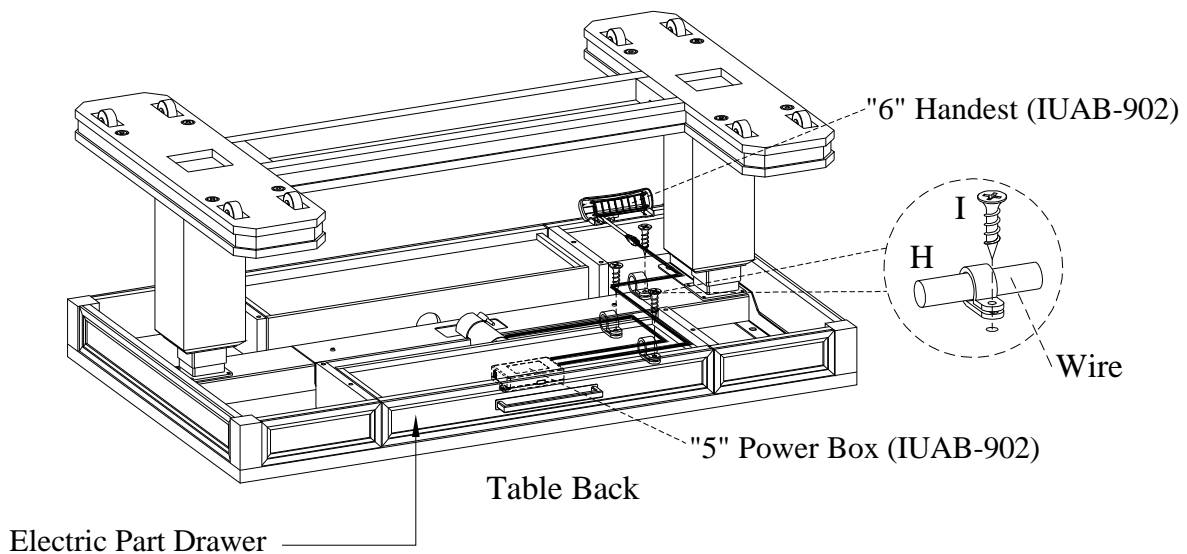
ITEM NO: I631-996 Adj. Cocktail Table (for IUAB-902)

**STEP 9:** Follow Step 5 from the IUAB-902 assembly instructions.

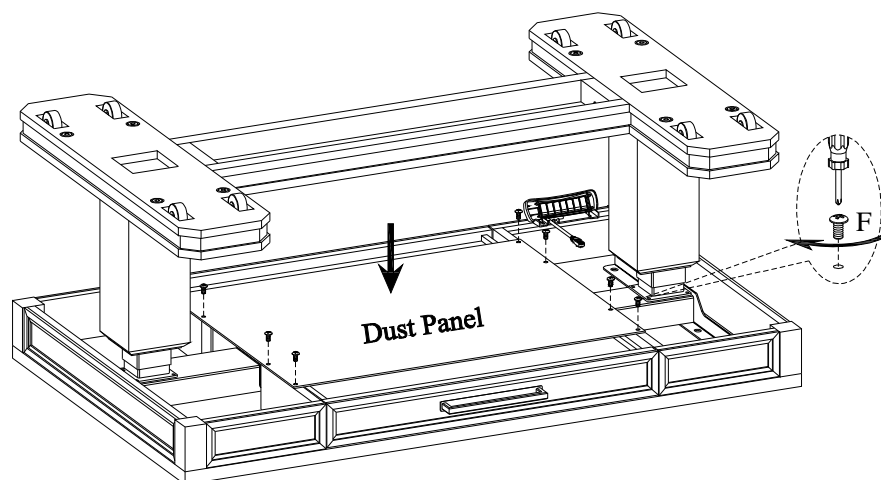
**STEP 10-1:** Clip the wire into the plastic wire clip for both Power Box ("5" on the component list for IUAB-902) and Handset ("6" on the component list for IUAB-902), attach the plastic wire clips(H) to the right position with screws(I).

**STEP 10-2:** Connect the appropriate wires leading from the motor and Handset to the Lift Mechanism Power Box.

**STEP 10-3:** Push back the electric part drawer.



**STEP 11:** Attach the dust panel to table top by using 8 bolts (F) by a Philipscrew driver, and tighten all the bolts.



Note: Refer to Lift Mechanism assembly instructions for Control Unit operation.



ITEM NO: I631-996 Adj. Cocktail Table (for IUAB-902)

**STEP 12:** Turn the assembled cocktail table to the upright position.

**STEP 13:** Pull out the electric part drawer and attach the Lift Mechanism Mounting Bracket ("9" on the component list for IUAB-902) to the drawer bottom panel with 2 screws G.

**STEP 14-1:** Follow the instructions for using the Battery Pack and the Mounting Bracket from the IUAB-902 assembly instructions.

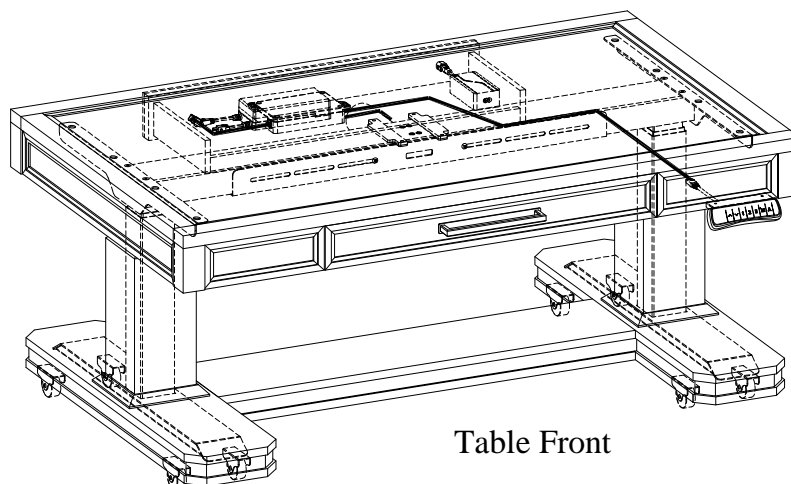
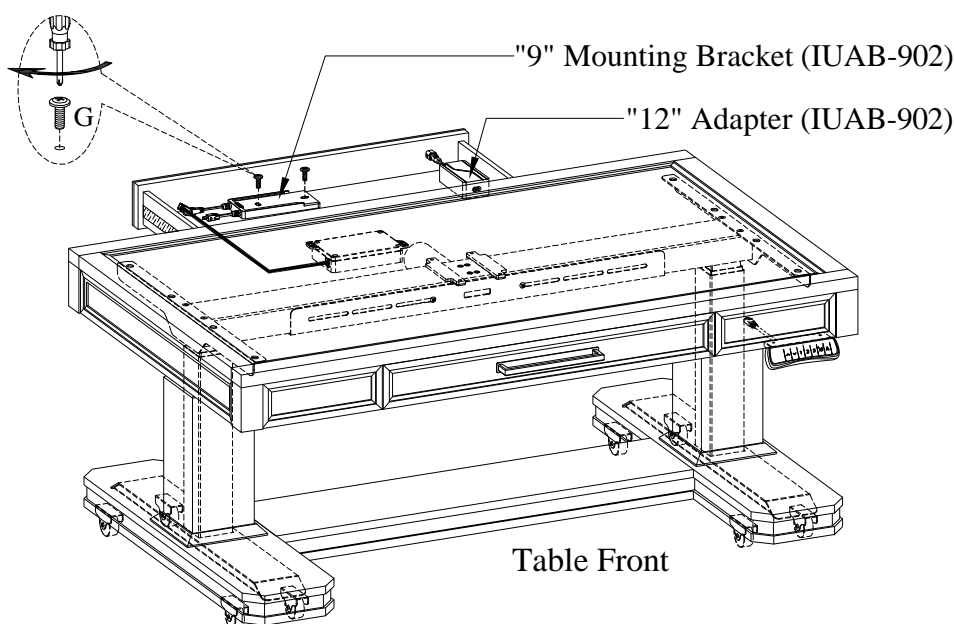
**STEP 14-2:** Connect the appropriate wires leading from the mounting bracket to the Lift Mechanism Power Box.

**STEP 15:** Place the Lift Mechanism Adapter ("12" on the component list for IUAB-902) in the electric part drawer.

**STEP 16:** Push back the electric part drawer.

**STEP 17:** Follow the instructions for using the Quick Charging Dock from the IUAB-902 assembly instructions when charging the Battery Pack.

**STEP 18:** If disassembly is required, lower the Lift Mechanism to the lowest point.



Note: Refer to Lift Mechanism assembly instructions for Control Unit operation.