



ITEM NO: I644-9100    Lift Top Cocktail Table







Thank you for purchasing this quality product. Be sure to check all packing material carefully for small parts that may come loose inside the carton during shipment.





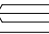

### TOOLS REQUIRED (NOT PROVIDED)

PHILLIPS SCREWDRIVER 

### HARDWARE LIST:

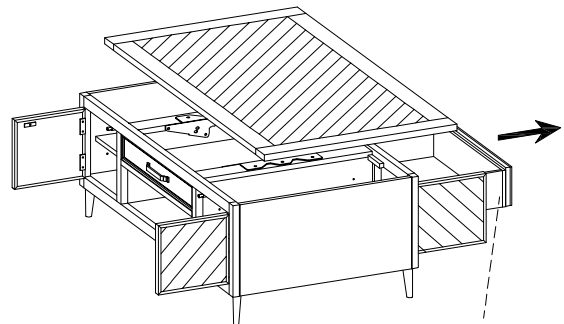
No.	Description	Sketch	Quantity
A	Bolt Ø5/16" x 1"		12 PCS
B	Lock Washer Ø5/16"		12 PCS
C	Flat Washer Ø5/16" x 3/4"		12 PCS
D	Allen Wrench 4mm		1 PC
E	Shelf Bracket		8 PCS
F	Wood Screw #7 x 5/8"		8 PCS

### COMPONENTS LIST:

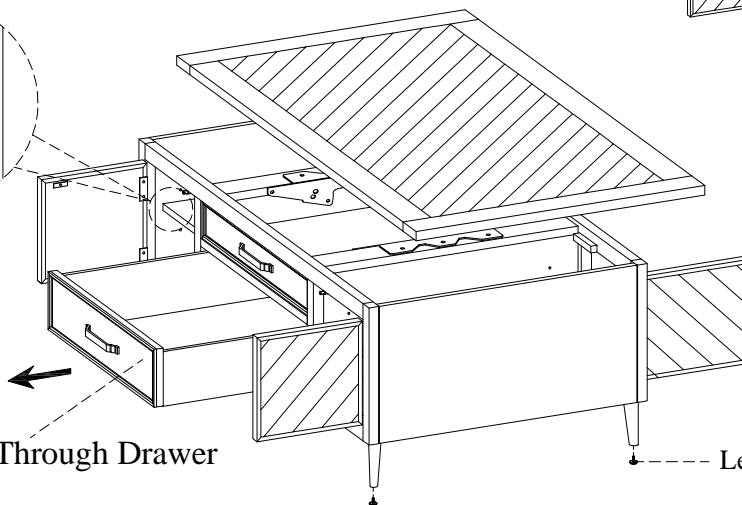
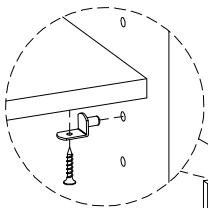
No.	Description	Sketch	Quantity
1	Case		1 PC
2	Metal Leg		4 PCS
3	Support Leg		1 PC
3	Wood Shelf		2 PCS

### FUNCTIONALITY INSTRUCTION

If you prefer to adjust the shelf location, remove the screws and move shelf brackets to the desired location. Then secure the brackets to shelf with screws.



Pass Through Drawer



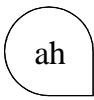
Pass Through Drawer

Leveler on Legs

Adjust the leveler when necessary

BEFORE USING THIS PRODUCT PLEASE READ, UNDERSTAND, AND FOLLOW THESE INSTRUCTIONS. Save these instructions for future reference.

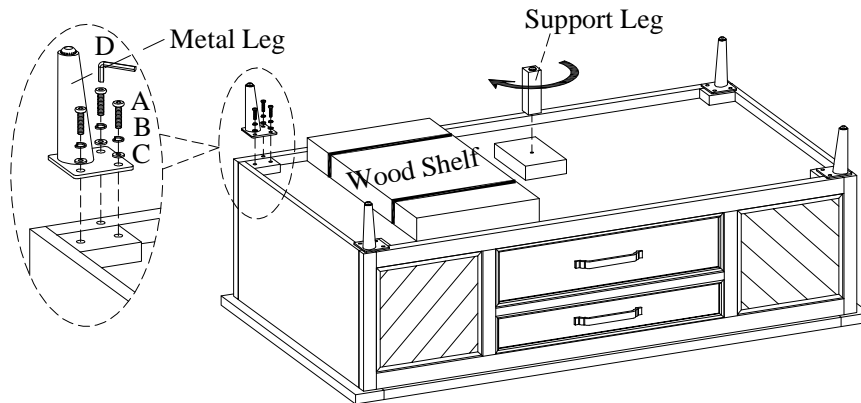
FOR INDOOR USE ONLY



ITEM NO: I644-9100    Lift Top Cocktail Table

**STEP 1:** Put the case upside down on a soft surface.

**STEP 2:** Remove the packed box for wood shelf. Attach the metal legs by using 12 bolts (A), lock washers (B) and flat washers (C). Use the allen wrench (D) to tighten all bolts. Install the support leg as well. Once legs are all secure, return the table to the upright position.



**STEP 3:** Take out 2 adjustable wood shelves from the packed box, insert 8 shelf brackets (E) into the holes on each side of the door room, place each adjustable wood shelf on shelf brackets, then secure the shelf brackets to the adjustable wood shelves with screws (F) as shown below.

