

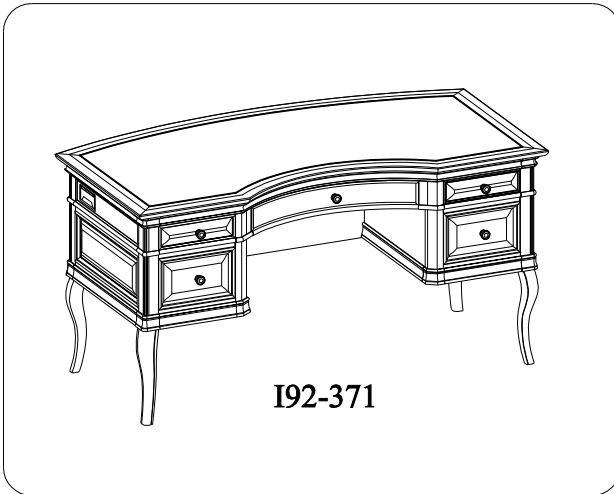


ITEM NO: I92-371 60" Half Ped Desk

Thank you for purchasing this quality product. Be sure to check all packing material carefully for small parts that may come loose inside the carton during shipment.



**UNIT SHOULD BE INSTALLED BY 2 OR MORE PERSONS.**



I92-371

**TOOLS REQUIRED (NOT PROVIDED)**

**PHILLIPS SCREWDRIVER**

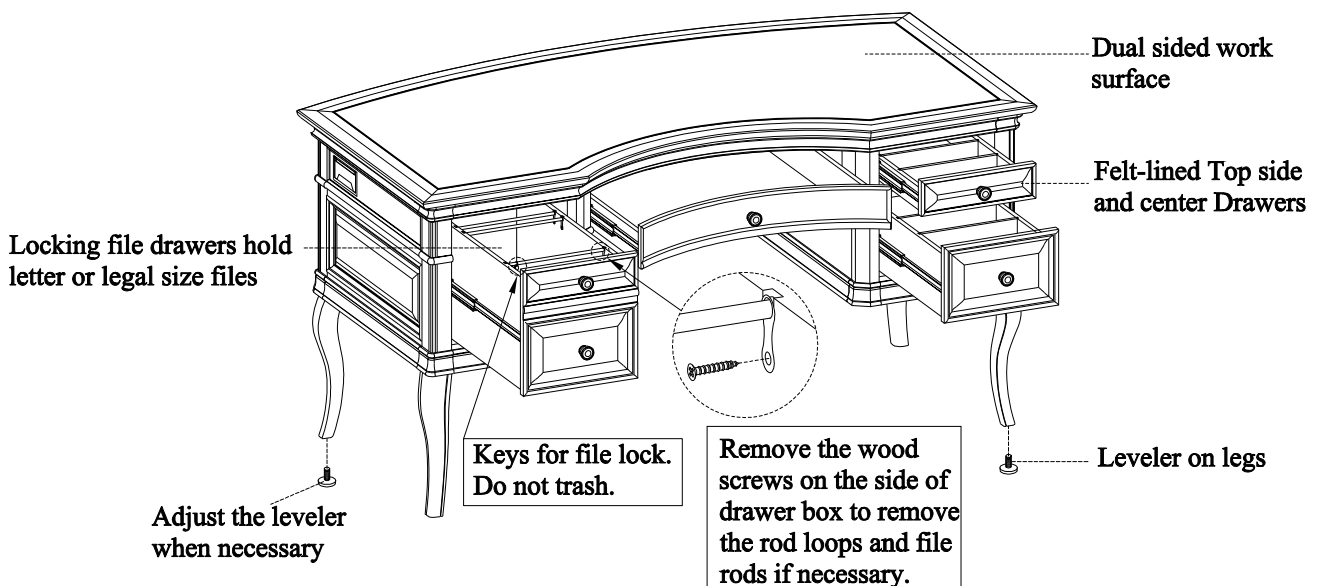
### HARDWARE LIST: I92-371

No.	Description	Sketch	Quantity
A	Bolt Ø5/16"*2"		12 PCS
B	Lock Washer Ø5/16"		12 PCS
C	Flat Washer Ø5/16" *3/4"		12 PCS
D	Allen Wrench 5MM		1 PC

### COMPONENTS LIST: I92-371

No.	Description	Sketch	Quantity
1	Desk Top		1 PC
2	Leg		4 PCS

### FUNCTIONALITY INSTRUCTION



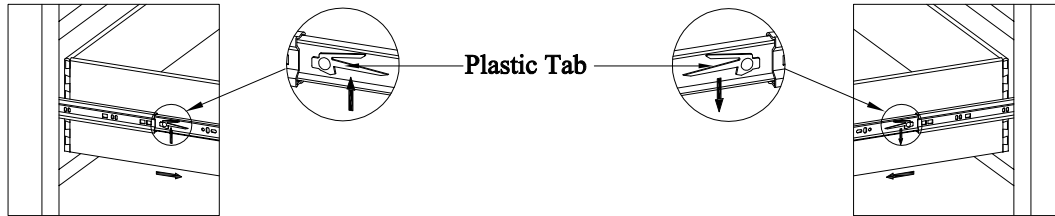
**BEFORE USING THIS PRODUCT PLEASE READ, UNDERSTAND, AND FOLLOW THESE INSTRUCTIONS. Save these instructions for future reference.**

**FOR INDOOR USE ONLY**

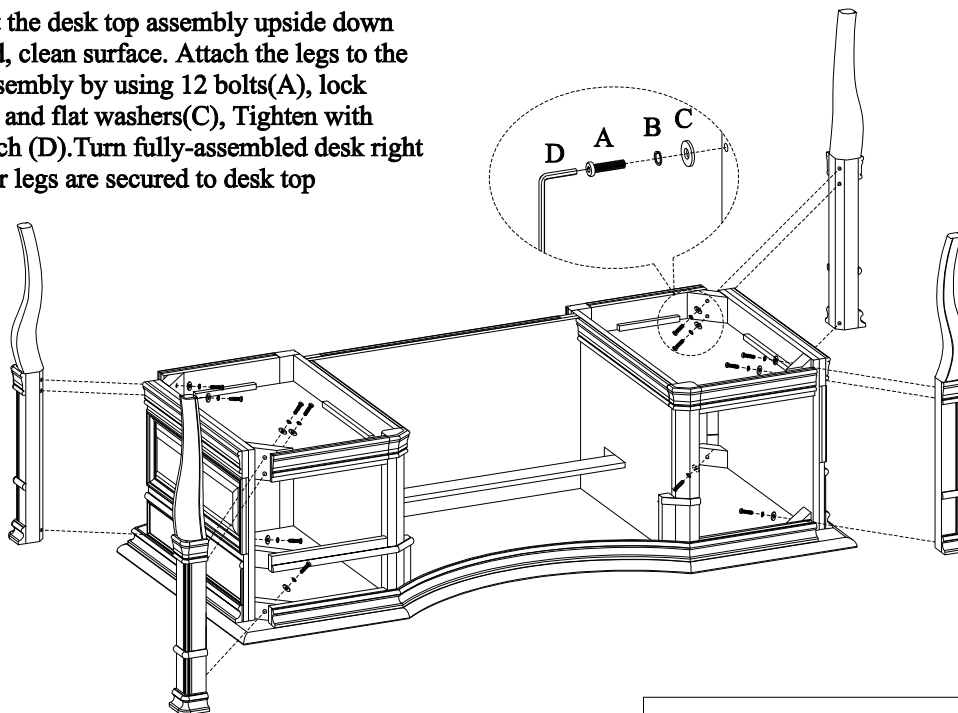


### ITEM NO: I92-371 60" Half Ped Desk

**STEP 1:** Remove the drawers from the pedestals: Fully extend the drawer, then press the plastic tab down on the right and up on the left at the same time as shown below. While holding the tabs pressed down/up, pull the drawer out.



**STEP 2:** Put the desk top assembly upside down on a padded, clean surface. Attach the legs to the desk top assembly by using 12 bolts(A), lock washers(B) and flat washers(C), Tighten with Allen wrench (D). Turn fully-assembled desk right side up after legs are secured to desk top assembly.



**STEP 3:** Replace all of the drawers in desk: Fully extend the slides from the case. Then align the slides on the drawer to the slides on the case as shown. Push the drawer back in. You may have to slide the drawer in and out several times in order to properly align the ball bearings.

