

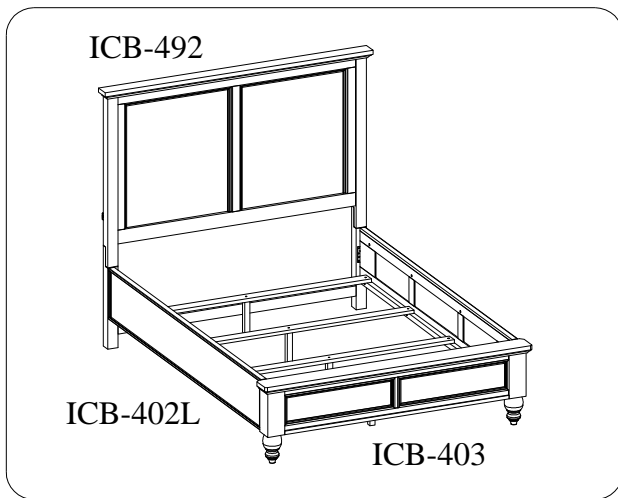


ITEM NO: ICB-492-BCH/BLK/EGG/GRY-KD-1 Queen Framed Panel HB  
 ICB-402L-BCH/BLK/EGG/GRY-1 Queen Side Rails  
 ICB-403-BCH/BLK/EGG/GRY-1 Queen Low Profile FB

Thank you for purchasing this quality product. Be sure to check all packing material carefully for small parts that may come loose inside the carton during shipment.



**UNIT SHOULD BE INSTALLED BY 2 OR MORE PERSONS.**



All Beds need to be set up in the exact final location so that after full assembly it will not need to be moved. Moving the bed will cause the support legs to move out of perpendicular (90 degree), weaken the support system, and may allow the bed to collapse.

**TOOLS REQUIRED (NOT PROVIDED)**

PHILLIPS SCREWDRIVER

**HARDWARE LIST: ICB-492**

No.	Description	Sketch	Quantity
A	Bolt Ø5/16"*1-3/4"		8 PCS
B	Lock Washer Ø5/16"		8 PCS
C	Flat Washer Ø5/16"		8 PCS
D	Allen Wrench 5mm		1 PC

**HARDWARE LIST: ICB-402L**

No.	Description	Sketch	Quantity
E	Wood Screw		8 PCS
F	Allen Wrench 4mm		1 PC

**COMPONENTS LIST: ICB-492**

No.	Description	Sketch	Quantity
1	Headboard		1 PC
2	Left Leg		1 PC
3	Right Leg		1 PC
4	Wood Stretcher		1 PC

**COMPONENTS LIST: ICB-402L**

No.	Description	Sketch	Quantity
1	Bed rails		2 PCS
2	Slats		4 PCS

**COMPONENTS LIST: ICB-403**

No.	Description	Sketch	Quantity
1	Footboard		1 PC
2	Bun Foot		2 PCS
3	Support legs with leveler		4 PCS

BEFORE USING THIS PRODUCT PLEASE READ, UNDERSTAND, AND FOLLOW THESE INSTRUCTIONS.  
 Save these instructions for future reference.

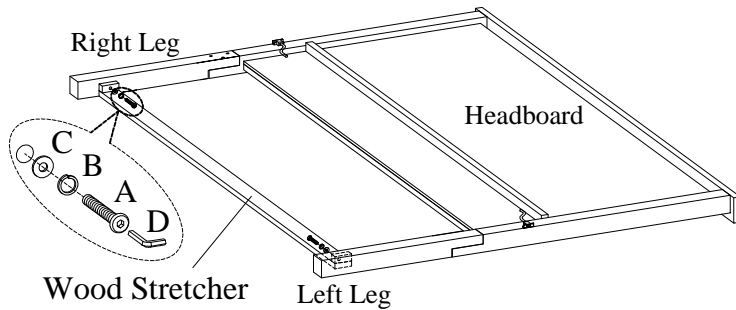
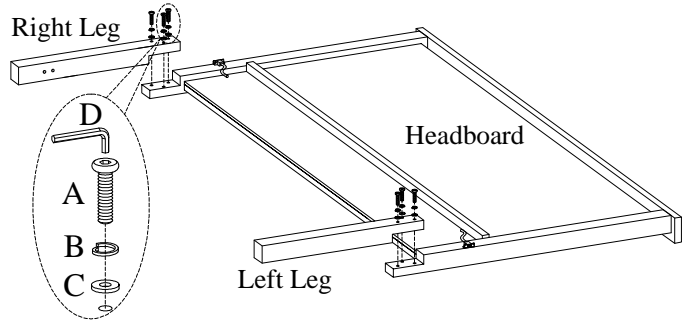
FOR INDOOR USE ONLY



ITEM NO: ICB-492-BCH/BLK/EGG/GRY-KD-1  
ICB-402L-BCH/BLK/EGG/GRY-1  
ICB-403-BCH/BLK/EGG/GRY-1

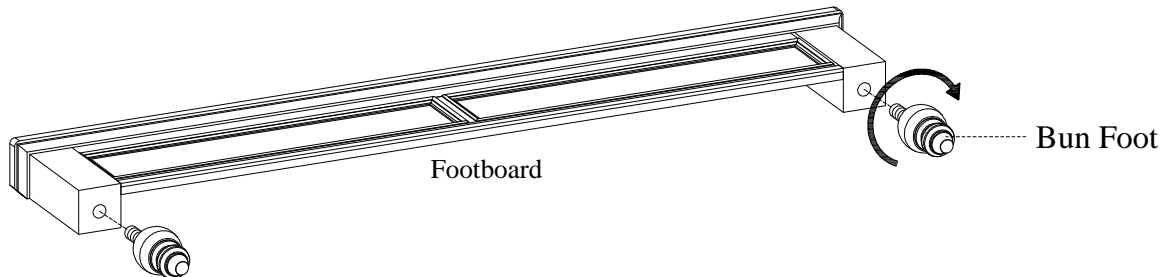
Queen Framed Panel HB  
Queen Side Rails  
Queen Low Profile FB

**STEP 1:** Lay the headboard face down on a soft surface. Attach the left leg and right leg to headboard by using 6 bolts(A), lock washers(B) and flat washers(C).

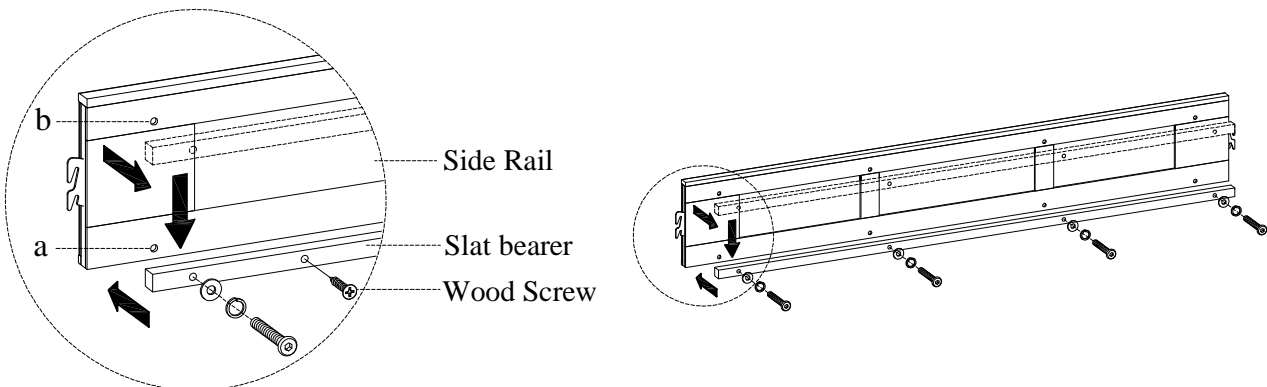


**STEP 2:** Attach the wood stretcher to the legs by using 2 bolts(A), lock washers(B) and flat washers(C).

**STEP 3:** Lay footboard back down on a padded, clean surface. Attach bun feet to footboard. Turn footboard right side up.



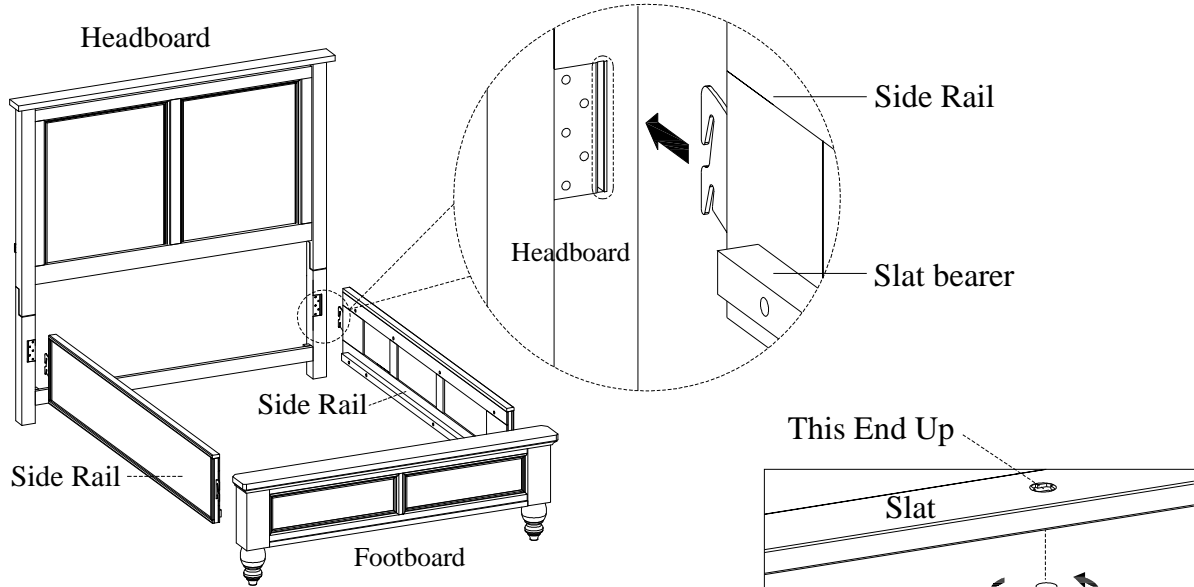
**STEP 4:** The slat bearers have been attached in position b. The slat bearers can be moved into position a depending on the mattress/platform configuration. Remove the bolts and screws from the slat bearers and side rails as shown below. Then re-attach the slat bearers to the side rails in desired position with bolts, lock washers, flat washers, and screws. **Caution: Do not over tighten bolts as this may loosen the threaded inserts in the side rails.**



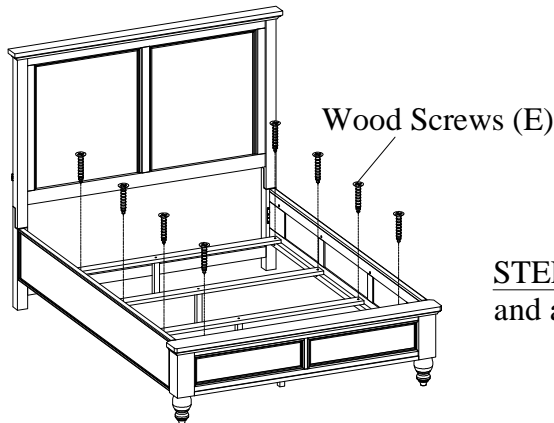


ITEM NO: ICB-492-BCH/BLK/EGG/GRY-KD-1    Queen Framed Panel HB  
 ICB-402L-BCH/BLK/EGG/GRY-1    Queen Side Rails  
 ICB-403-BCH/BLK/EGG/GRY-1    Queen Low Profile FB

**STEP 5:** Hook the side rails to the headboard and footboard.



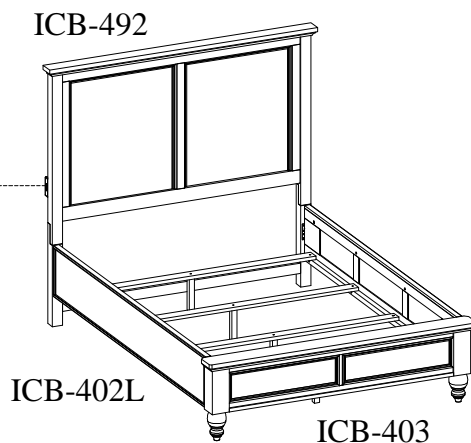
**STEP 6:** Attach the support legs with leveler to the slats. Adjust the levelers on bottom of support legs when necessary.



**STEP 7:** Arrange the slats on the slat bearers equally and attach to the slat bearers with wood screws (E).

### FUNCTIONALITY INSTRUCTION

1 Powered USB Port for Charging on both sides





ITEM NO: ICB-492-BCH/BLK/EGG/GRY-KD-1 Queen Framed Panel HB  
 ICB-402L-BCH/BLK/EGG/GRY-1 Queen Side Rails  
 ICB-403D-BCH/BLK/EGG/GRY-1 Queen LP FB w/Drawers

Thank you for purchasing this quality product. Be sure to check all packing material carefully for small parts that may come loose inside the carton during shipment.



**UNIT SHOULD BE INSTALLED BY 2 OR MORE PERSONS.**



All Beds need to be set up in the exact final location so that after full assembly it will not need to be moved. Moving the bed will cause the support legs to move out of perpendicular (90 degree), weaken the support system, and may allow the bed to collapse.

**TOOLS REQUIRED (NOT PROVIDED)**

PHILLIPS SCREWDRIVER

**HARDWARE LIST: ICB-492**

No.	Description	Sketch	Quantity
A	Bolt Ø5/16"*1-3/4"		8 PCS
B	Lock Washer Ø5/16"		8 PCS
C	Flat Washer Ø5/16"		8 PCS
D	Allen Wrench 5mm		1 PC

**COMPONENTS LIST: ICB-492**

No.	Description	Sketch	Quantity
1	Headboard		1 PC
2	Left Leg		1 PC
3	Right Leg		1 PC
4	Wood Stretcher		1 PC

**HARDWARE LIST: ICB-402L**

No.	Description	Sketch	Quantity
E	Wood Screw		8 PCS
F	Allen Wrench 4mm		1 PC

**COMPONENTS LIST: ICB-402L**

No.	Description	Sketch	Quantity
1	Bed rails		2 PCS
2	Slats		4 PCS

**HARDWARE LIST: ICB-403D**

No.	Description	Sketch	Quantity
G	Bolt Ø1/4"*1-3/4"		6 PCS
H	Bolt Ø1/4"*1-1/4"		4 PCS
I	Lock Washer Ø1/4"		10 PCS
J	Flat washer Ø1/4"		10 PCS
K	Wood Screw #8*1"		8 PCS
L	Wood Screw #8*1-1/2"		5 PCS
M	Allen Wrench 4mm		1 PC

**COMPONENTS LIST: ICB-403D**

No.	Description	Sketch	Quantity
1	Footboard		1 PC
2	Support Leg (for center rail)		1 PC
3	Support Leg (for pedestal)		2 PCS
4	Decking		4 PCS
5	Center Rail		1 PC
6	Bun Foot		2 PCS
7	Support Panel		2 PCS

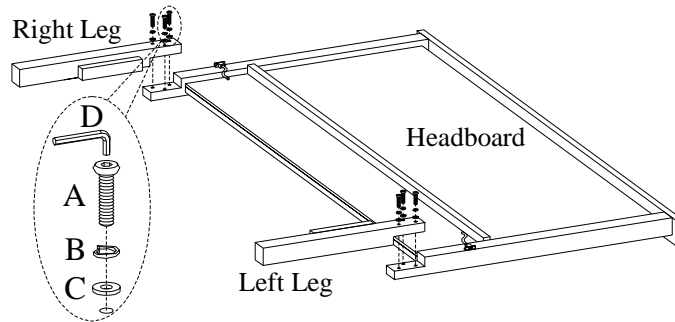
BEFORE USING THIS PRODUCT PLEASE READ, UNDERSTAND, AND FOLLOW THESE INSTRUCTIONS. Save these instructions for future reference.

FOR INDOOR USE ONLY

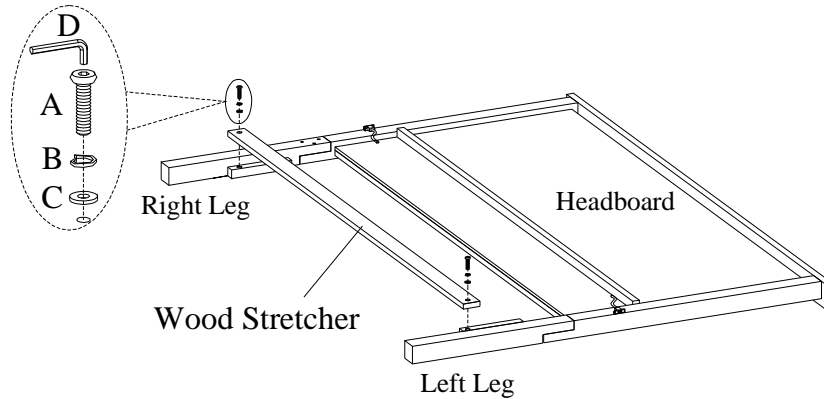


ITEM NO: ICB-492-BCH/BLK/EGG/GRY-KD-1    Queen Framed Panel HB  
 ICB-402L-BCH/BLK/EGG/GRY-1    Queen Side Rails  
 ICB-403D-BCH/BLK/EGG/GRY-1    Queen LP FB w/Drawers

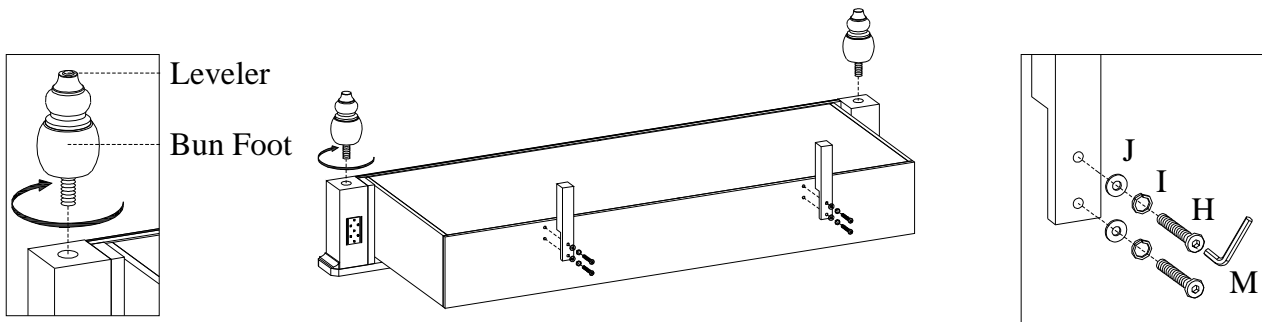
**STEP 1:** Lay the headboard face down on a soft surface. Attach the left leg and right leg to headboard by using 6 bolts(A), lock washers(B) and flat washers(C).



**STEP 2:** Attach the wood stretcher to the legs by using 2 bolts(A), lock washers(B) and flat washers(C).



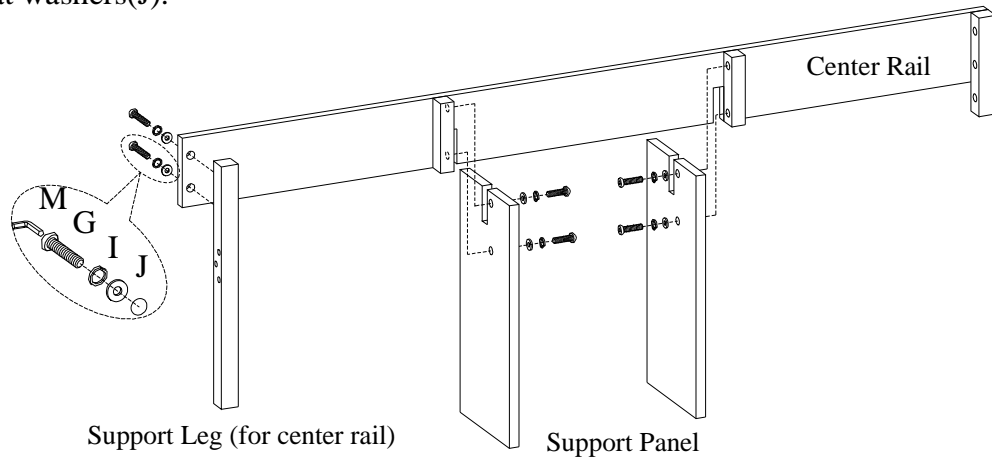
**STEP 3:** Lay footboard upside down on a padded, clean surface. Attach support legs (for pedestal) and bun feet to footboard using 4 bolts(H), lock washers(I) and flat washers(J). Turn footboard right side up.



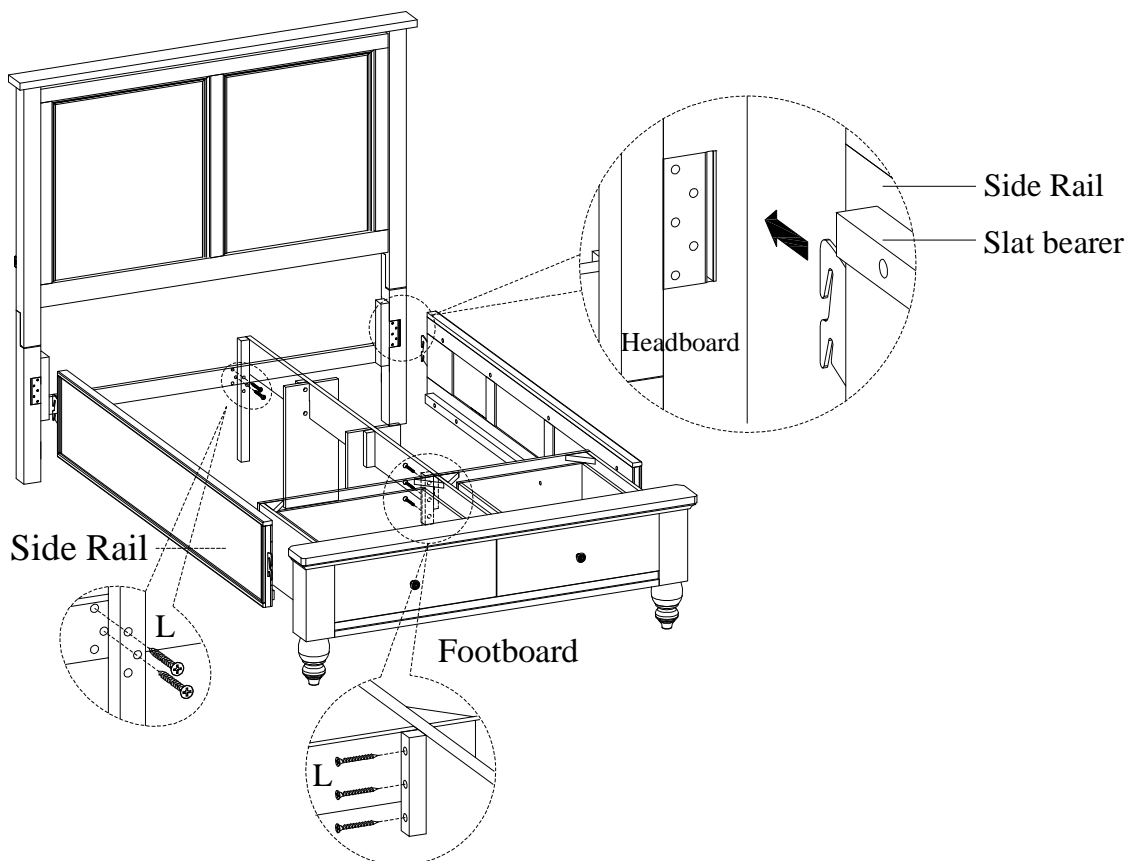


ITEM NO: ICB-492-BCH/BLK/EGG/GRY-KD-1 Queen Framed Panel HB  
ICB-402L-BCH/BLK/EGG/GRY-1 Queen Side Rails  
ICB-403D-BCH/BLK/EGG/GRY-1 Queen LP FB w/Drawers

**STEP 4:** Attach support leg and support panels to center rail by using 6 bolts(G), lock washers(I) and flat washers(J).



**STEP 5:** Hook the side rails to the headboard and footboard, Attach support leg and center rail to headboard and footboard by using 5 wood screws(L).

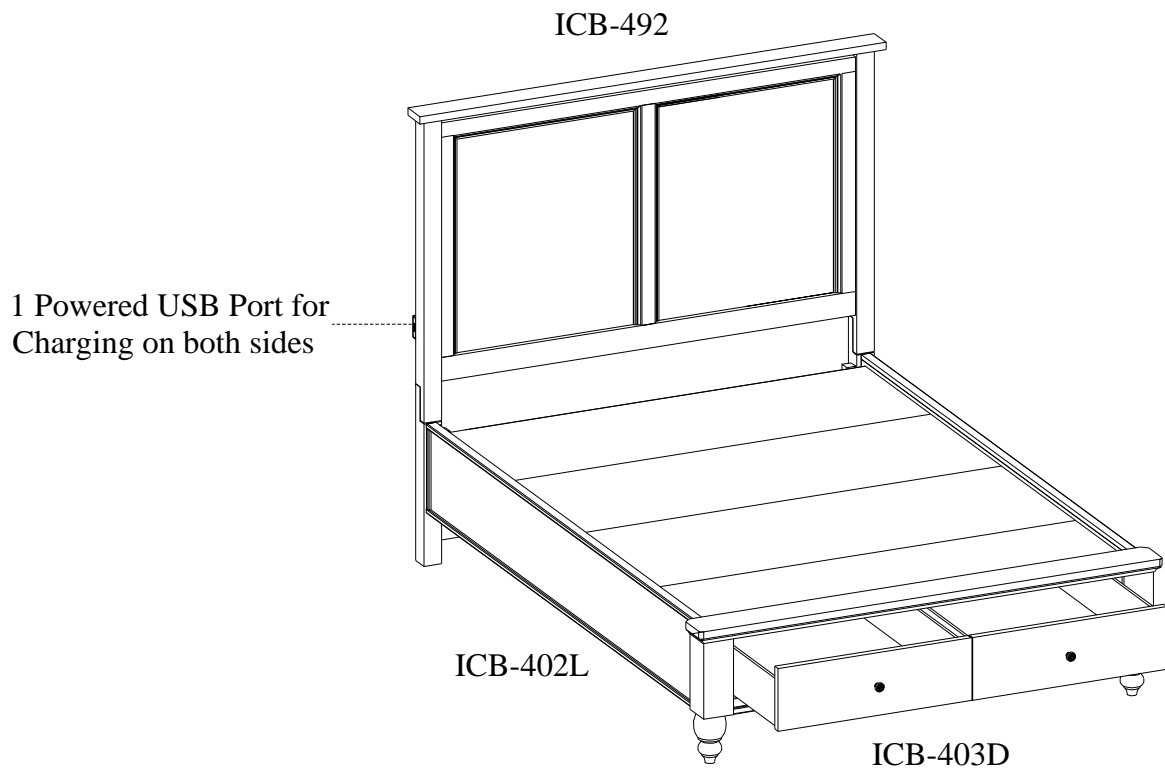






ITEM NO: ICB-492-BCH/BLK/EGG/GRY-KD-1    Queen Framed Panel HB  
ICB-402L-BCH/BLK/EGG/GRY-1    Queen Side Rails  
ICB-403D-BCH/BLK/EGG/GRY-1    Queen LP FB w/Drawers

### FUNCTIONALITY INSTRUCTION





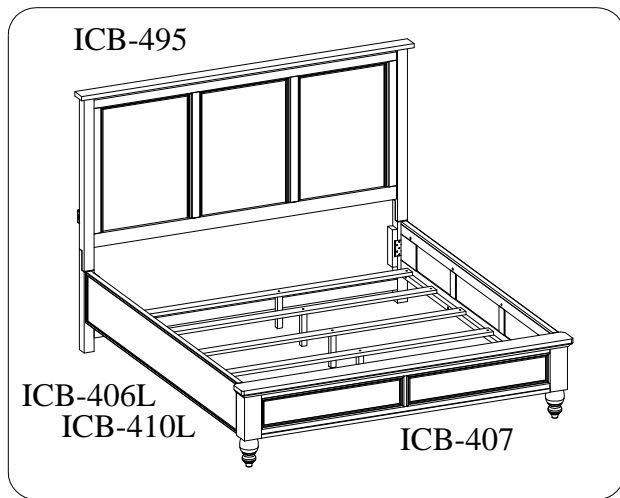


ITEM NO: ICB-495-BCH/BLK/EGG/GRY-KD-1 King Framed Panel HB  
 ICB-406L-BCH/BLK/EGG/GRY-1 King Side Rails  
 ICB-410L-BCH/BLK/EGG/GRY-1 Cal King Side Rails  
 ICB-407-BCH/BLK/EGG/GRY-1 King Low Profile FB

Thank you for purchasing this quality product. Be sure to check all packing material carefully for small parts that may come loose inside the carton during shipment.



**UNIT SHOULD BE INSTALLED BY 2 OR MORE PERSONS.**



All Beds need to be set up in the exact final location so that after full assembly it will not need to be moved. Moving the bed will cause the support legs to move out of perpendicular (90 degree), weaken the support system, and may allow the bed to collapse.

**TOOLS REQUIRED (NOT PROVIDED)**

PHILLIPS SCREWDRIVER

**HARDWARE LIST: ICB-495**

No.	Description	Sketch	Quantity
A	Bolt Ø5/16"*1-3/4"		8 PCS
B	Lock Washer Ø5/16"		8 PCS
C	Flat Washer Ø5/16"		8 PCS
D	Allen Wrench 5mm		1 PC

**HARDWARE LIST: ICB-406L/410L**

No.	Description	Sketch	Quantity
E	Wood Screw		10 PCS
F	Allen Wrench 4mm		1 PC

**COMPONENTS LIST: ICB-495**

No.	Description	Sketch	Quantity
1	Headboard		1 PC
2	Left Leg		1 PC
3	Right Leg		1 PC
4	Wood Stretcher		1 PC

**COMPONENTS LIST: ICB-406L/410L**

No.	Description	Sketch	Quantity
1	Bed rails		2 PCS
2	Slats		5 PCS
3	Magnetic Plate(Only for -410L)		4 PCS

**COMPONENTS LIST: ICB-407**

No.	Description	Sketch	Quantity
1	Footboard		1 PC
2	Bun Foot		2 PCS
3	Support legs with leveler		5 PCS

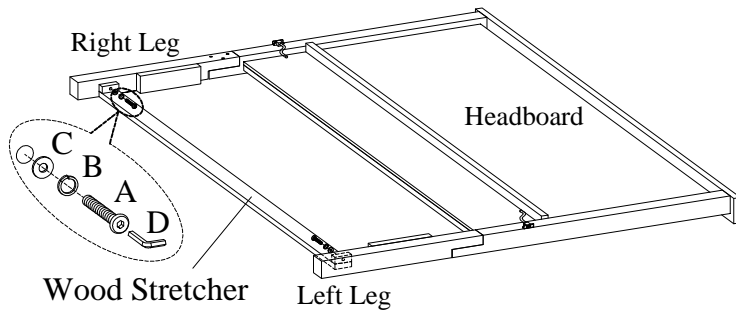
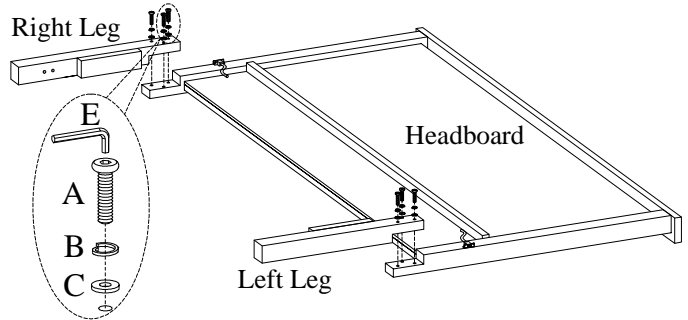
BEFORE USING THIS PRODUCT PLEASE READ, UNDERSTAND, AND FOLLOW THESE INSTRUCTIONS.  
 Save these instructions for future reference.

FOR INDOOR USE ONLY



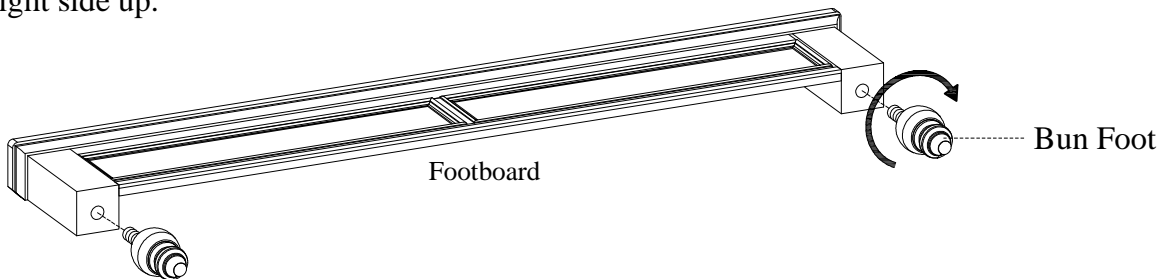
ITEM NO: ICB-495-BCH/BLK/EGG/GRY-KD-1 King Framed Panel HB  
 ICB-406L-BCH/BLK/EGG/GRY-1 King Side Rails  
 ICB-410L-BCH/BLK/EGG/GRY-1 Cal King Side Rails  
 ICB-407-BCH/BLK/EGG/GRY-1 King Low Profile FB

**STEP 1:** Lay the headboard face down on a soft surface. Attach the left leg and right leg to headboard by using 6 bolts(A), lock washers(B) and flat washers(C).

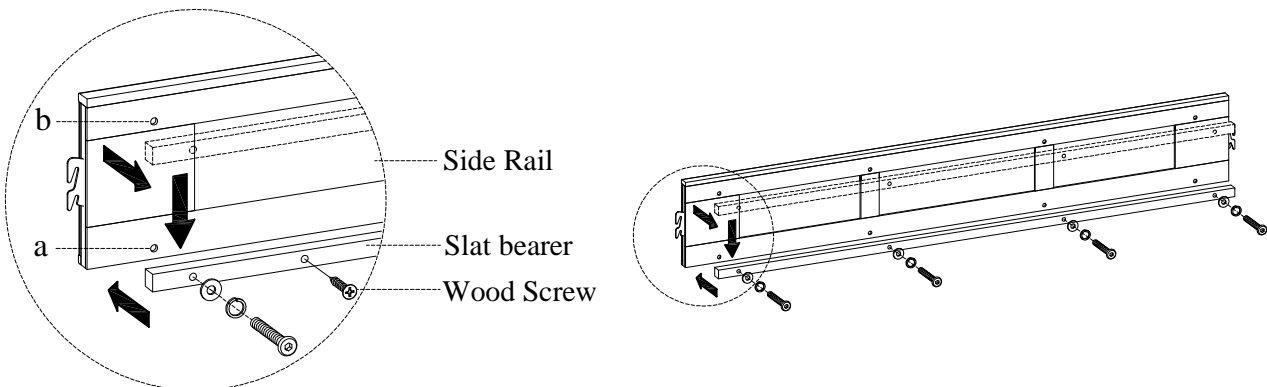


**STEP 2:** Attach the wood stretcher to the legs by using 2 bolts(A), lock washers(B) and flat washers(C).

**STEP 3:** Lay footboard back down on a padded, clean surface. Attach bun feet to footboard. Turn footboard right side up.



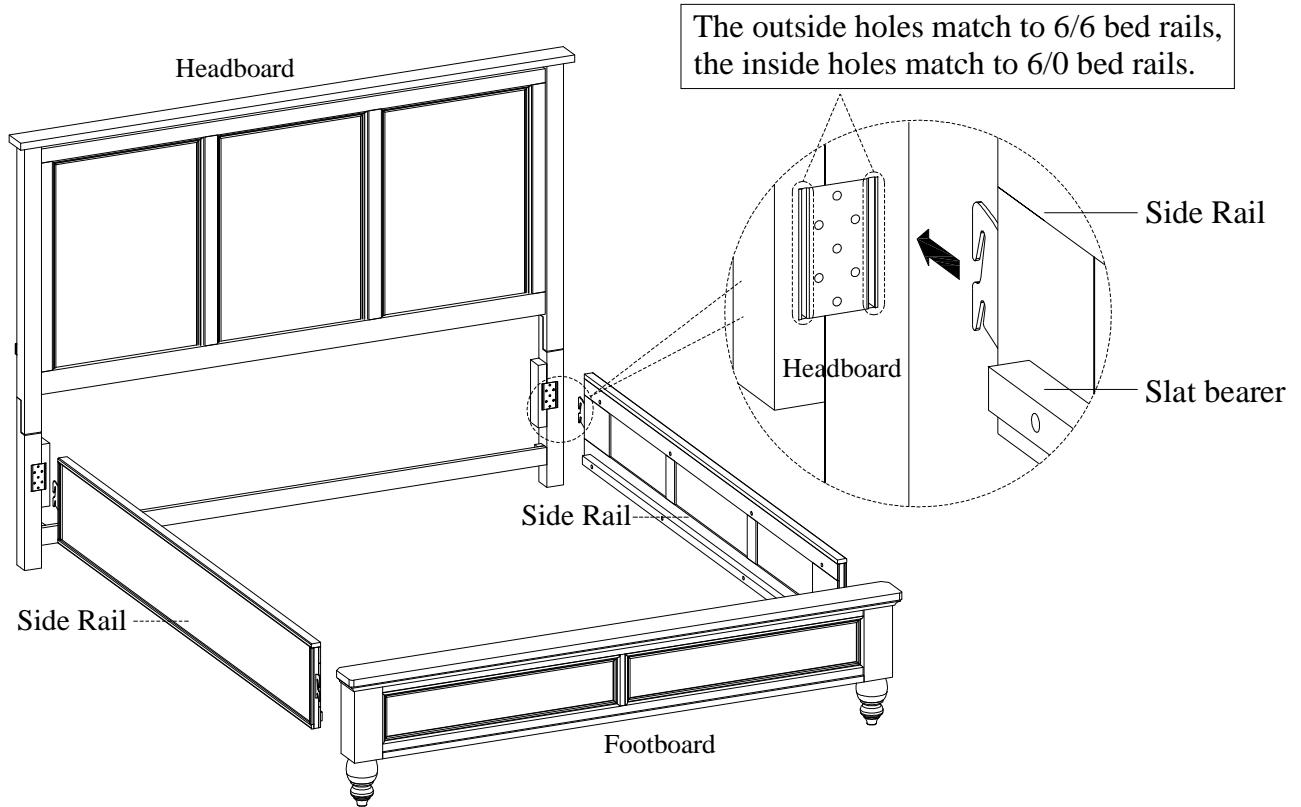
**STEP 4:** The slat bearers have been attached in position b. The slat bearers can be moved into position a depending on the mattress/platform configuration. Remove the bolts and screws from the slat bearers and side rails as shown below. Then re-attach the slat bearers to the side rails in desired position with bolts, lock washers, flat washers, and screws. **Caution: Do not over tighten bolts as this may loosen the threaded inserts in the side rails.**



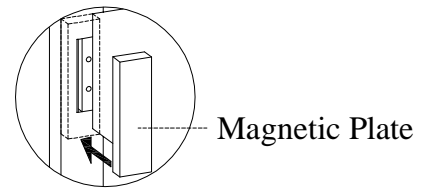


ITEM NO: ICB-495-BCH/BLK/EGG/GRY-KD-1 King Framed Panel HB  
 ICB-406L-BCH/BLK/EGG/GRY-1 King Side Rails  
 ICB-410L-BCH/BLK/EGG/GRY-1 Cal King Side Rails  
 ICB-407-BCH/BLK/EGG/GRY-1 King Low Profile FB

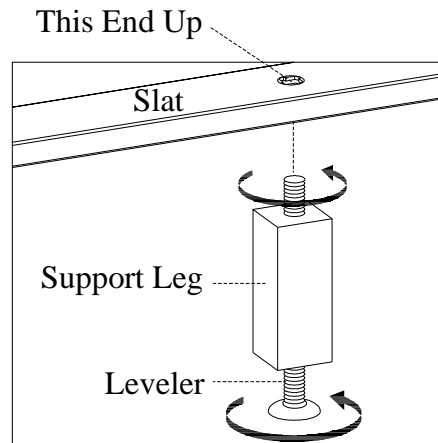
**STEP 5:** Hook the side rails to the headboard and footboard.



**STEP 6:** For Cal King bed, use magnetic plate to cover the exposed hooks on headboard and footboard. For regular King bed, skip this step.



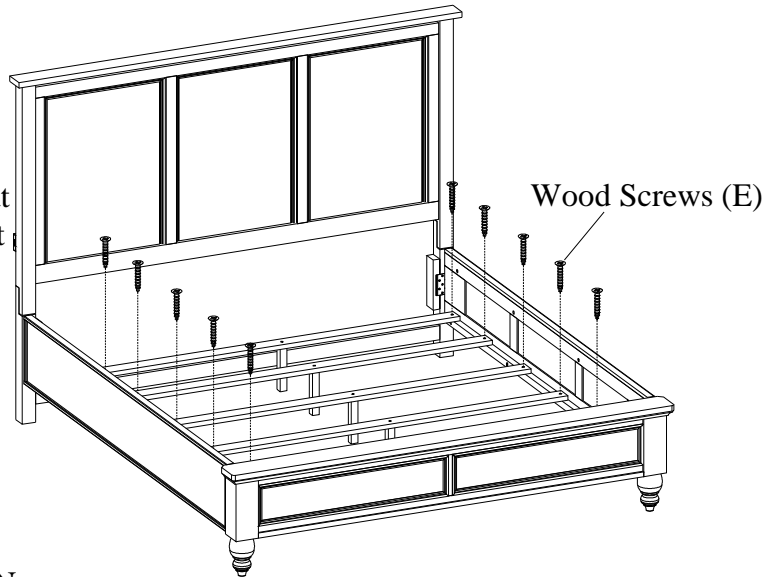
**STEP 7:** Attach the support legs with leveler to the slats. Adjust the levelers on bottom of support legs when necessary.



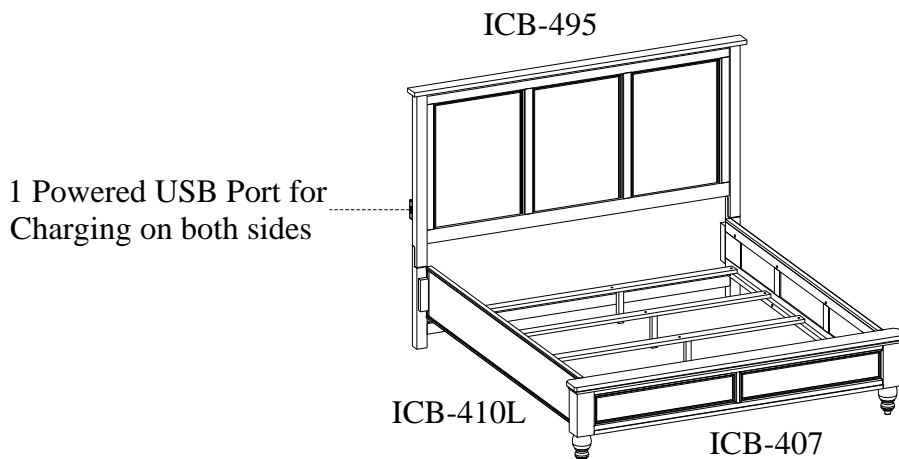
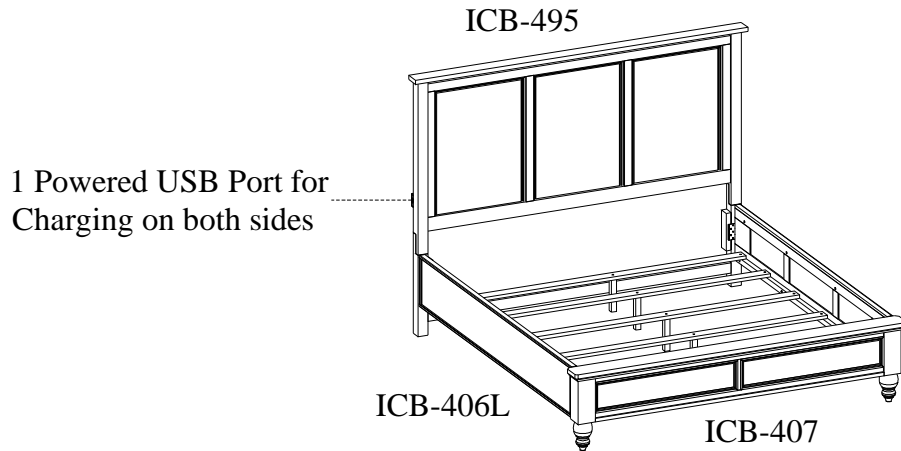


ITEM NO: ICB-495-BCH/BLK/EGG/GRY-KD-1 King Framed Panel HB  
 ICB-406L-BCH/BLK/EGG/GRY-1 King Side Rails  
 ICB-410L-BCH/BLK/EGG/GRY-1 Cal King Side Rails  
 ICB-407-BCH/BLK/EGG/GRY-1 King Low Profile FB

**STEP 8:** Arrange the slats on the slat bearers equally and attach to the slat bearers with wood screws (E).



**FUNCTIONALITY INSTRUCTION**



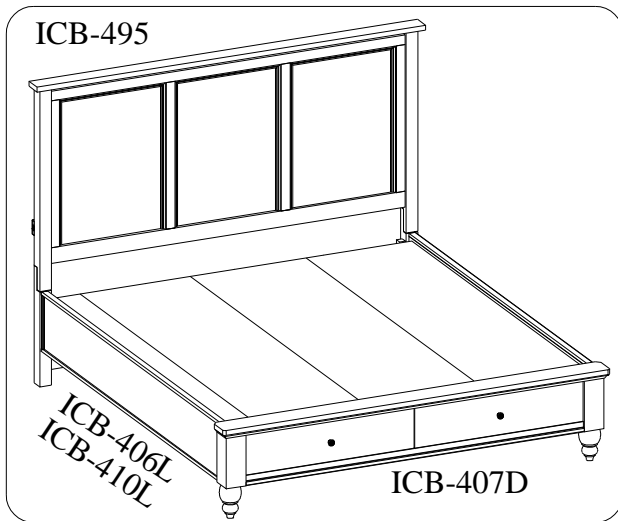


ITEM NO: ICB-495-BCH/BLK/EGG/GRY-KD-1 King Framed Panel HB  
 ICB-406L-BCH/BLK/EGG/GRY-1 King Side Rails  
 ICB-410L-BCH/BLK/EGG/GRY-1 Cal King Side Rails  
 ICB-407D-BCH/BLK/EGG/GRY-1 King/Cal King LP FB w/Drawers

Thank you for purchasing this quality product. Be sure to check all packing material carefully for small parts that may come loose inside the carton during shipment.



**UNIT SHOULD BE INSTALLED BY 2 OR MORE PERSONS.**



All Beds need to be set up in the exact final location so that after full assembly it will not need to be moved. Moving the bed will cause the support legs to move out of perpendicular (90 degree), weaken the support system, and may allow the bed to collapse.

TOOLS REQUIRED (NOT PROVIDED)
PHILLIPS SCREWDRIVER
UTILITY KNIFE (FOR CAL KING)

**HARDWARE LIST: ICB-495**

No.	Description	Sketch	Quantity
A	Bolt Ø5/16"*1-3/4"		8 PCS
B	Lock Washer Ø5/16"		8 PCS
C	Flat Washer Ø5/16"		8 PCS
D	Allen Wrench 5mm		1 PC

**HARDWARE LIST: ICB-406L/410L**

No.	Description	Sketch	Quantity
E	Wood Screw		10 PCS
F	Allen Wrench 4mm		1 PC

**HARDWARE LIST: ICB-407D**

No.	Description	Sketch	Quantity
G	Bolt Ø1/4"*1-3/4"		9 PCS
H	Bolt Ø1/4"*1-1/4"		4 PCS
I	Lock Washer Ø1/4"		13 PCS
J	Flat washer Ø1/4"		13 PCS
K	Wood Screw #8*1"		6 PCS
L	Wood Screw #8*1-1/2"		5 PCS
M	Allen Wrench 4mm		1 PC

**COMPONENTS LIST: ICB-495**

No.	Description	Sketch	Quantity
1	Headboard		1 PC
2	Left Leg		1 PC
3	Right Leg		1 PC
4	Wood Stretcher		1 PC

**COMPONENTS LIST: ICB-406L/410L**

No.	Description	Sketch	Quantity
1	Bed rails		2 PCS
2	Slats		5 PCS
3	Magnetic Plate(Only for -410L)		4 PCS

**COMPONENTS LIST: ICB-407D**

No.	Description	Sketch	Quantity
1	Footboard		1 PC
2	Support Leg (for center rail)		1 PC
3	Support Leg (for pedestal)		2 PCS
4	Decking		3 PCS
5	Center Rail		1 PC
6	Filler		1 PC
7	Bun Foot		2 PCS
8	Support Panel		2 PCS
9	Rail connector		1 PC

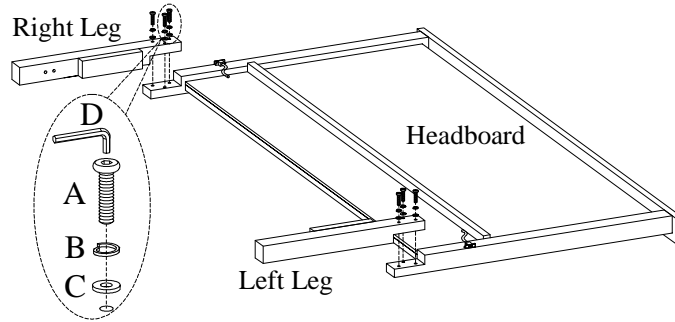
**BEFORE USING THIS PRODUCT PLEASE READ, UNDERSTAND, AND FOLLOW THESE INSTRUCTIONS.**  
 Save these instructions for future reference.

**FOR INDOOR USE ONLY**

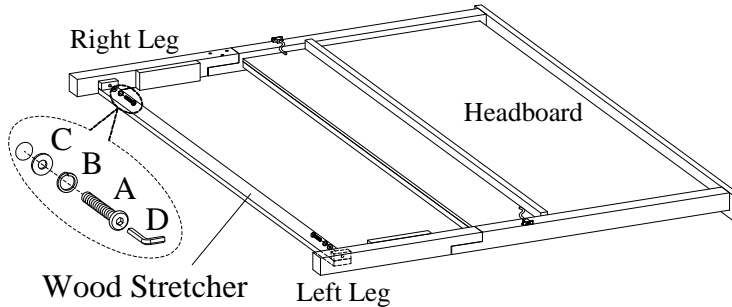


ITEM NO: ICB-495-BCH/BLK/EGG/GRY-KD-1 King Framed Panel HB  
 ICB-406L-BCH/BLK/EGG/GRY-1 King Side Rails  
 ICB-410L-BCH/BLK/EGG/GRY-1 Cal King Side Rails  
 ICB-407D-BCH/BLK/EGG/GRY-1 King/Cal King LP FB w/Drawers

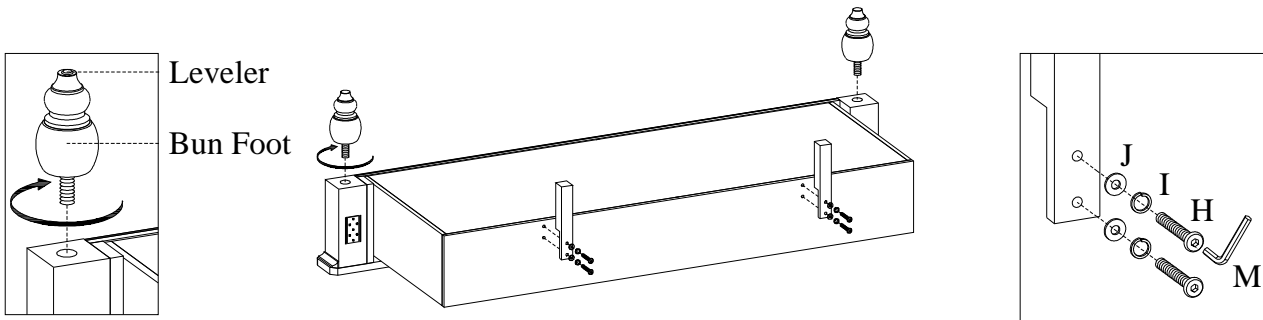
**STEP 1:** Lay the headboard face down on a soft surface. Attach the left leg and right leg to headboard by using 6 bolts(A), lock washers(B) and flat washers(C).



**STEP 2:** Attach the wood stretcher to the legs by using 2 bolts(A), lock washers(B) and flat washers(C).



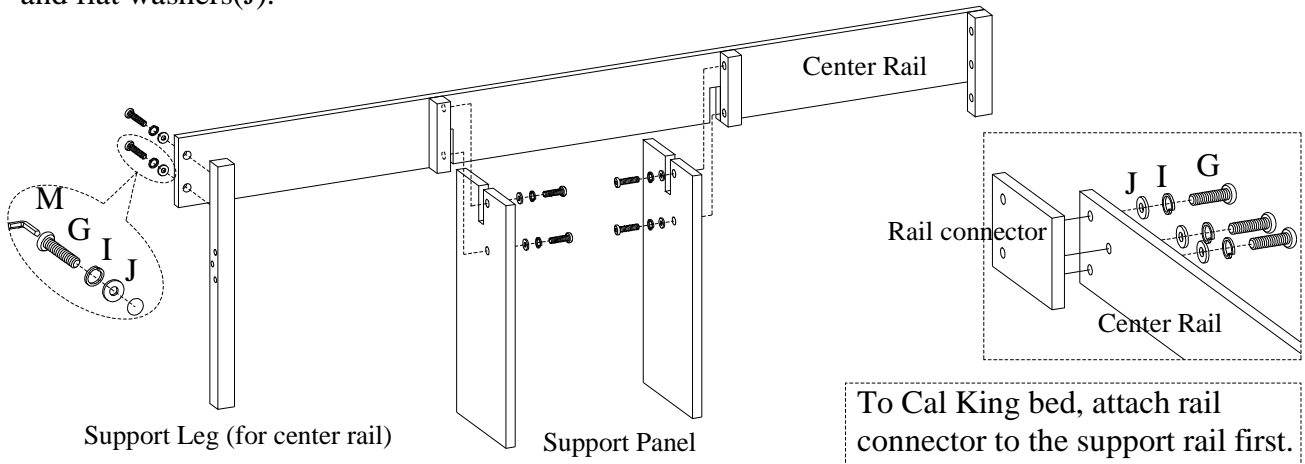
**STEP 3:** Lay footboard upside down on a padded, clean surface. Attach support legs (for pedestal) and bun feet to footboard using 4 bolts(H), lock washers(I) and flat washers(J). Turn footboard right side up.



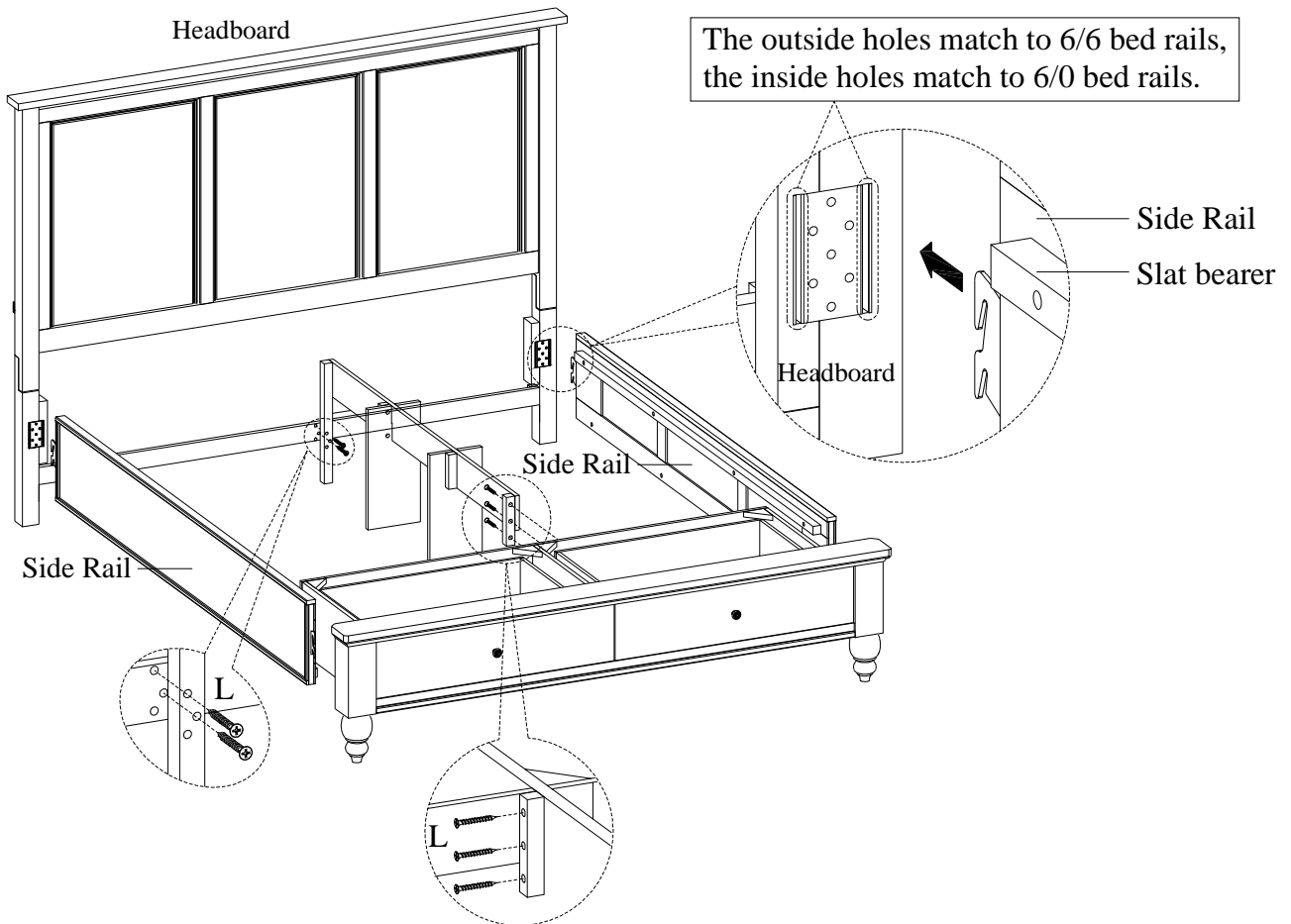


ITEM NO: ICB-495-BCH/BLK/EGG/GRY-KD-1 King Framed Panel HB  
 ICB-406L-BCH/BLK/EGG/GRY-1 King Side Rails  
 ICB-410L-BCH/BLK/EGG/GRY-1 Cal King Side Rails  
 ICB-407D-BCH/BLK/EGG/GRY-1 King/Cal King LP FB w/Drawers

**STEP 4:** Attach support leg and support panels to center rail by using 6 bolts(G), lock washers(I) and flat washers(J).



**STEP 5:** Hook the side rails to the headboard and footboard, Attach support leg and center rail to headboard and footboard by using 5 wood screws(L).

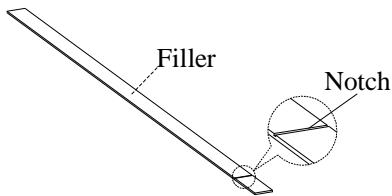
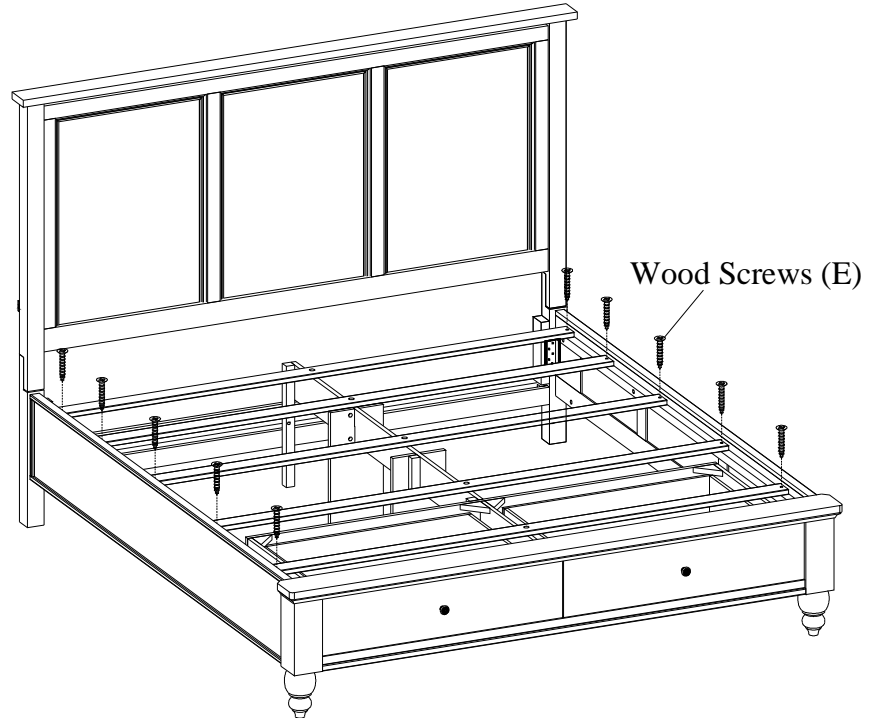




ITEM NO: ICB-495-BCH/BLK/EGG/GRY-KD-1  
 ICB-406L-BCH/BLK/EGG/GRY-1  
 ICB-410L-BCH/BLK/EGG/GRY-1  
 ICB-407D-BCH/BLK/EGG/GRY-1

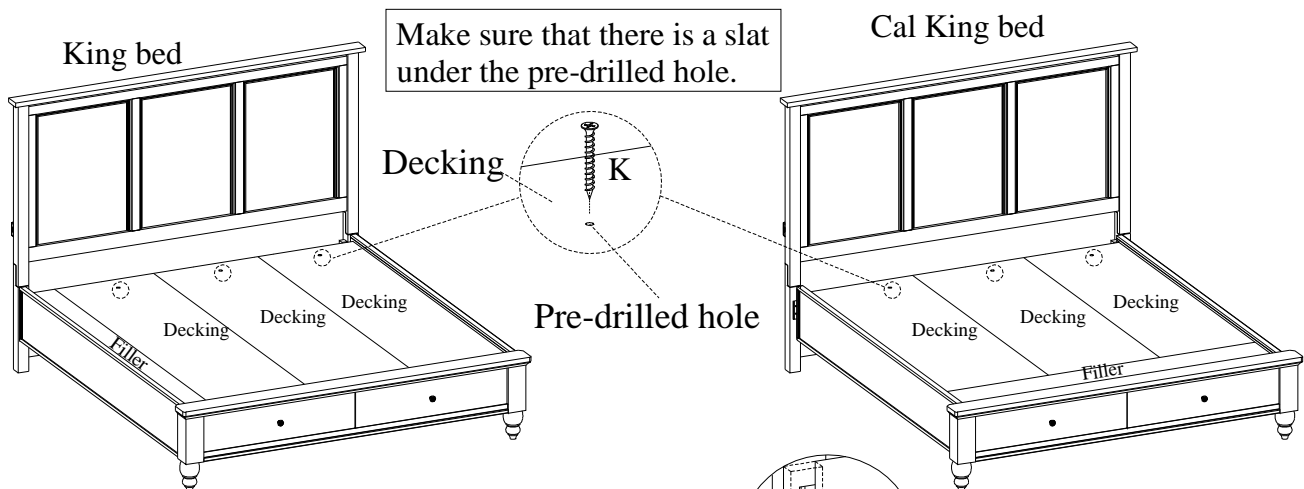
King Framed Panel HB  
 King Side Rails  
 Cal King Side Rails  
 King/Cal King LP FB w/Drawers

**STEP 6:** Arrange slats on the slat bearers and then lay the decking on top of the slats. Make sure the top and bottom slats are situated underneath the pre-drilled holes as shown below in STEP 8. Remove the decking and attach slats to the slat bearers with wood screws (E).

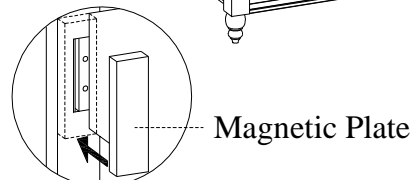


**STEP 7:** For Cal King bed, use a utility knife to cut off the small piece at the notch on the Decking Filler piece included with the Storage Footboard. For regular King bed, skip this step.

**STEP 8:** Put the decking over the slats, secure decking to the slats with wood screws (K) through the pre-drilled holes in the decking as shown below.



**STEP 9:** For Cal King bed, use magnetic plate to cover the exposed hooks on headboard and footboard. For regular King bed, skip this step.







ITEM NO: ICB-495-BCH/BLK/EGG/GRY-KD-1    King Framed Panel HB  
 ICB-406L-BCH/BLK/EGG/GRY-1    King Side Rails  
 ICB-410L-BCH/BLK/EGG/GRY-1    Cal King Side Rails  
 ICB-407D-BCH/BLK/EGG/GRY-1    King/Cal King LP FB w/Drawers

### FUNCTIONALITY INSTRUCTION

