



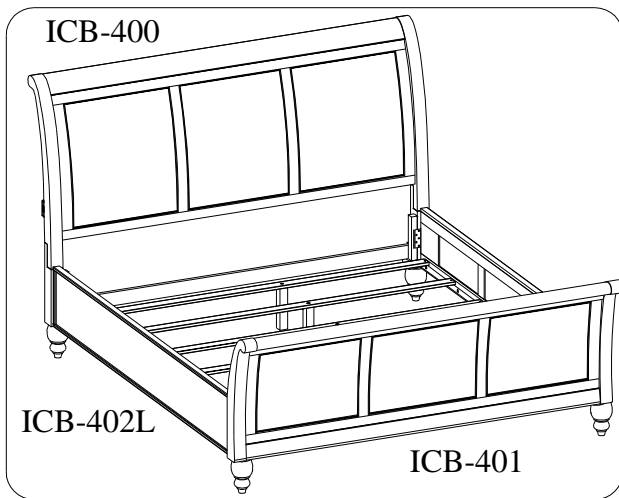
ITEM NO: ICB-400-BCH/BLK/EGG/GRY-KD-1
 ICB-402L-BCH/BLK/EGG/GRY-1
 ICB-401-BCH/BLK/EGG/GRY-1

Queen Sleigh Bed HB
 Queen Side Rails
 Queen Sleigh Bed FB

Thank you for purchasing this quality product. Be sure to check all packing material carefully for small parts that may come loose inside the carton during shipment.



UNIT SHOULD BE INSTALLED BY 2 OR MORE PERSONS.



All Beds need to be set up in the exact final location so that after full assembly it will not need to be moved. Moving the bed will cause the support legs to move out of perpendicular (90 degree), weaken the support system, and may allow the bed to collapse.

TOOLS REQUIRED (NOT PROVIDED)

PHILLIPS SCREWDRIVER

COMPONENTS LIST: ICB-400

No.	Description	Sketch	Quantity
1	Headboard		1 PC
2	Left Leg		1 PC
3	Right Leg		1 PC
4	Wood Stretcher		1 PC

HARDWARE LIST: ICB-400

No.	Description	Sketch	Quantity
A	Bolt Ø5/16"*2-1/4"		8 PCS
B	Lock Washer Ø5/16"		8 PCS
C	Flat Washer Ø5/16"		8 PCS
D	Allen Wrench 5mm		1 PC

COMPONENTS LIST: ICB-402L

No.	Description	Sketch	Quantity
1	Bed rails		2 PCS
2	Slats		4 PCS

HARDWARE LIST: ICB-402L

No.	Description	Sketch	Quantity
E	Wood Screw		8 PCS
F	Allen Wrench 4mm		1 PC

COMPONENTS LIST: ICB-401

No.	Description	Sketch	Quantity
1	Footboard		1 PC
2	Bun Foot		2 PCS
3	Support legs with leveler		4 PCS

BEFORE USING THIS PRODUCT PLEASE READ, UNDERSTAND, AND FOLLOW THESE INSTRUCTIONS.
 Save these instructions for future reference.

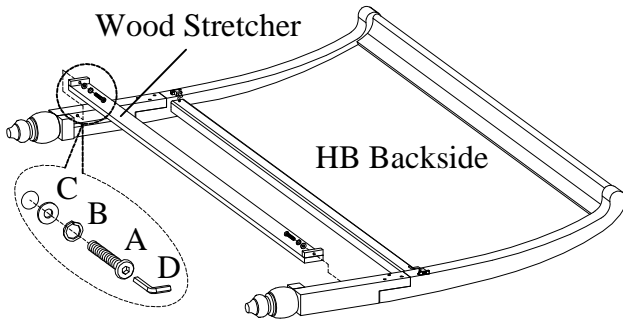
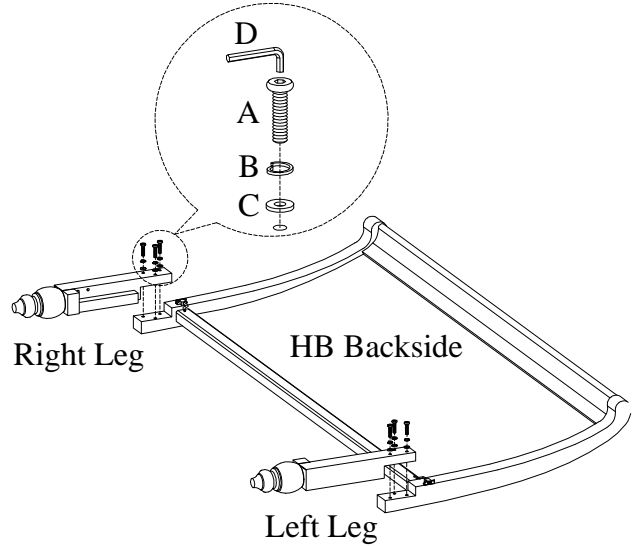
FOR INDOOR USE ONLY



ITEM NO: ICB-400-BCH/BLK/EGG/GRY-KD-1
ICB-402L-BCH/BLK/EGG/GRY-1
ICB-401-BCH/BLK/EGG/GRY-1

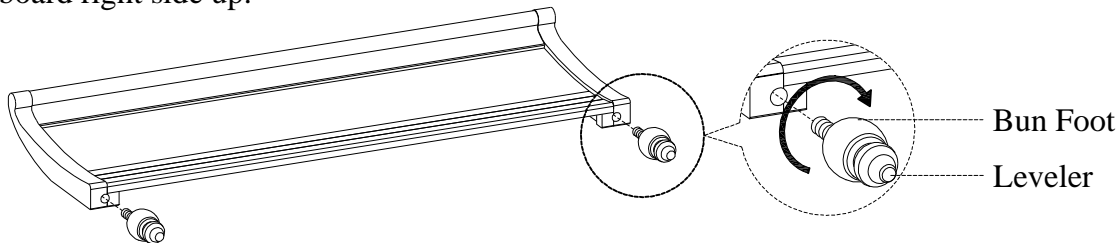
Queen Sleigh Bed HB
Queen Side Rails
Queen Sleigh Bed FB

STEP 1: Lay the headboard face down on a soft surface. Attach the left leg and right leg to headboard by using 6 bolts(A), lock washers(B) and flat washers(C).

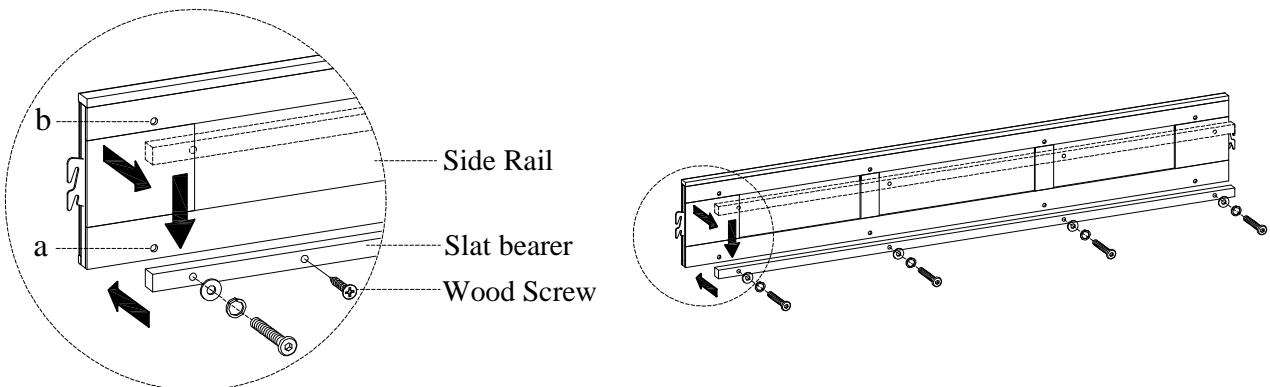


STEP 2: Attach the wood stretcher to the legs by using 2 bolts(A), lock washers(B) and flat washers(C).

STEP 3: Lay footboard back down on a padded, clean surface. Attach bun feet to footboard. Turn footboard right side up.



STEP 4: The slat bearers have been attached in position b. The slat bearers can be moved into position a depending on the mattress/platform configuration. Remove the bolts and screws from the slat bearers and side rails as shown below. Then re-attach the slat bearers to the side rails in desired position with bolts, lock washers, flat washers, and screws. **Caution: Do not over tighten bolts as this may loosen the threaded inserts in the side rails.**

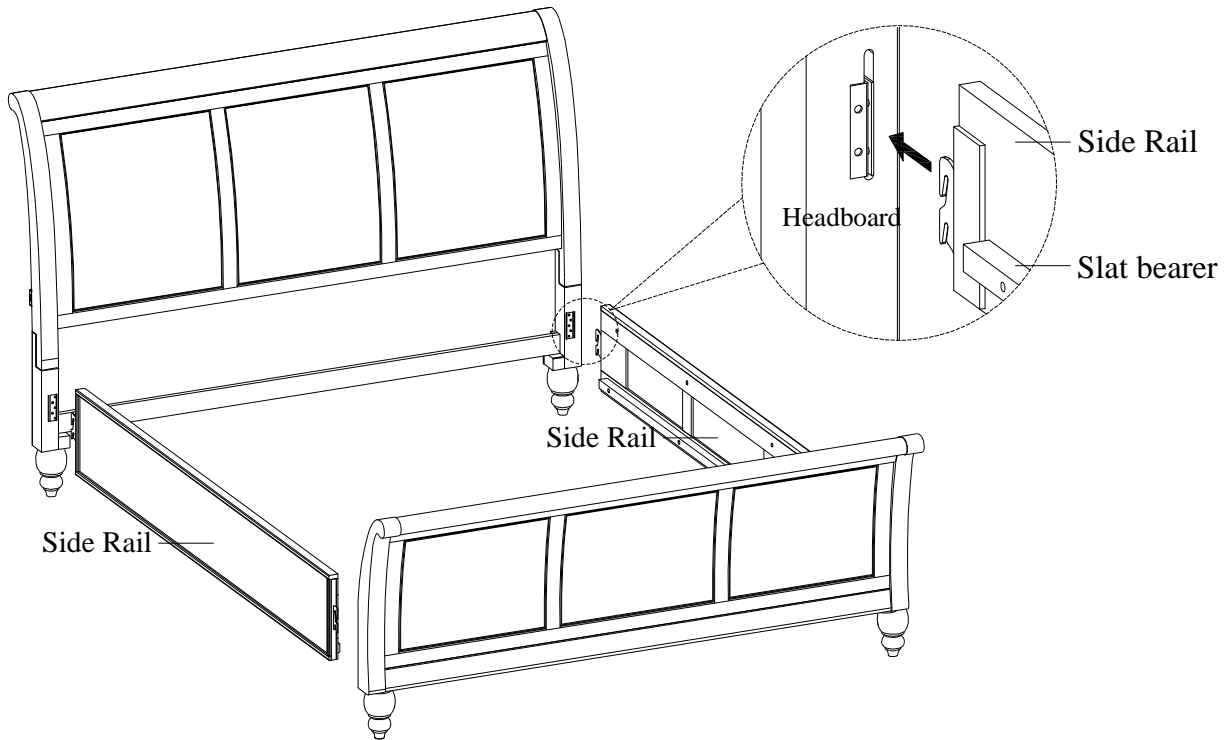




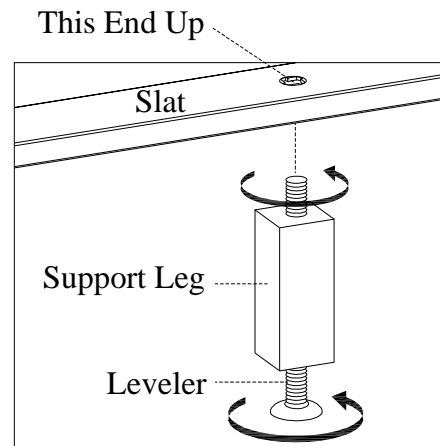
ITEM NO: ICB-400-BCH/BLK/EGG/GRY-KD-1
ICB-402L-BCH/BLK/EGG/GRY-1
ICB-401-BCH/BLK/EGG/GRY-1

Queen Sleigh Bed HB
Queen Side Rails
Queen Sleigh Bed FB

STEP 5: Hook the side rails to the headboard and footboard.



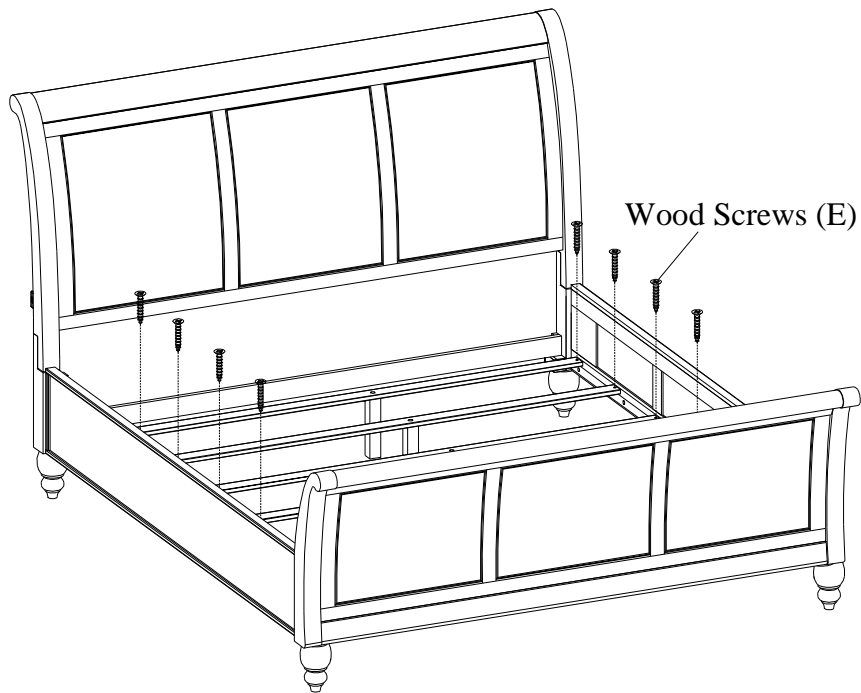
STEP 6: Attach the support legs with leveler to the slats. Adjust the levelers on bottom of support legs when necessary.



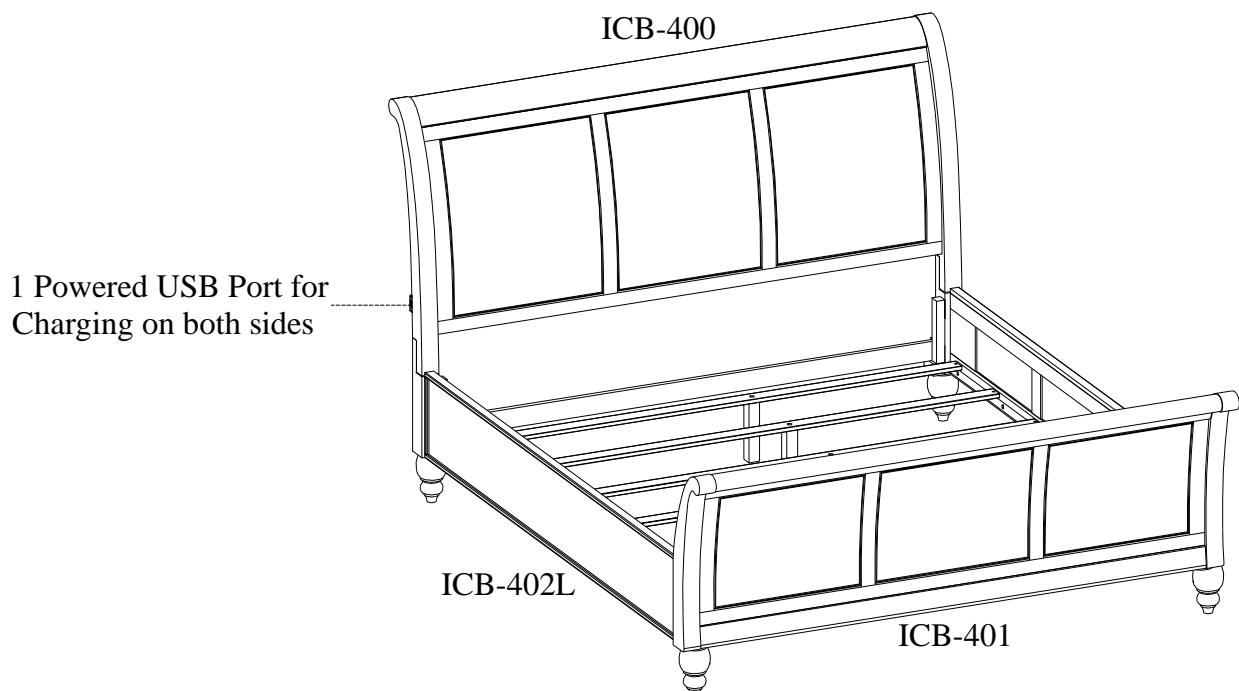


ITEM NO: ICB-400-BCH/BLK/EGG/GRY-KD-1 Queen Sleigh Bed HB
 ICB-402L-BCH/BLK/EGG/GRY-1 Queen Side Rails
 ICB-401-BCH/BLK/EGG/GRY-1 Queen Sleigh Bed FB

STEP 7: Arrange the slats on the slat bearers equally and attach to the slat bearers with wood screws (E).



FUNCTIONALITY INSTRUCTION





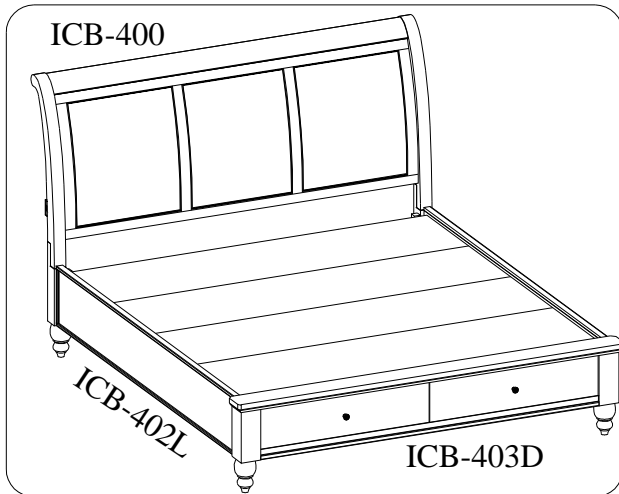
ITEM NO: ICB-400-BCH/BLK/EGG/GRY-KD-1	Queen Sleigh Bed HB
ICB-412-BCH/BLK/EGG/GRY-KD	Queen Panel HB
ICB-402L-BCH/BLK/EGG/GRY-1	Queen Side Rails
ICB-403D-BCH/BLK/EGG/GRY-1	Queen LP FB w/Drawers

Thank you for purchasing this quality product. Be sure to check all packing material carefully for small parts that may come loose inside the carton during shipment.



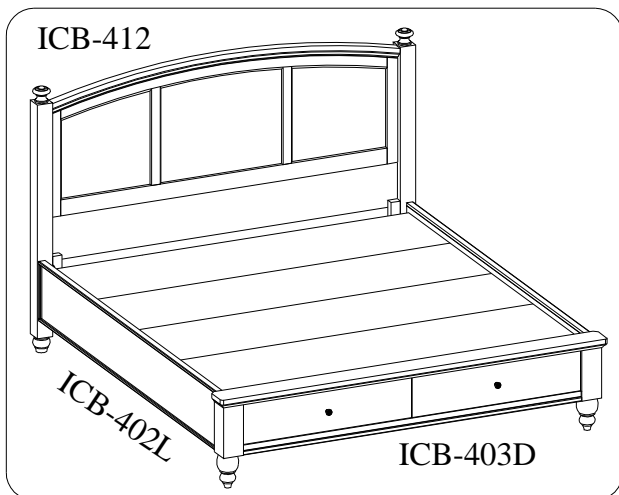
UNIT SHOULD BE INSTALLED BY 2 OR MORE PERSONS.

OPTION 1: Queen Storage Sleigh Bed



All Beds need to be set up in the exact final location so that after full assembly it will not need to be moved. Moving the bed will cause the support legs to move out of perpendicular (90 degree), weaken the support system, and may allow the bed to collapse.

OPTION 2: Queen Storage Panel Bed



BEFORE USING THIS PRODUCT PLEASE READ, UNDERSTAND, AND FOLLOW THESE INSTRUCTIONS.
Save these instructions for future reference.

FOR INDOOR USE ONLY



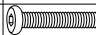



ITEM NO: ICB-400-BCH/BLK/EGG/GRY-KD-1
 ICB-412-BCH/BLK/EGG/GRY-KD
 ICB-402L-BCH/BLK/EGG/GRY-1
 ICB-403D-BCH/BLK/EGG/GRY-1

Queen Sleigh Bed HB
 Queen Panel HB
 Queen Side Rails
 Queen LP FB w/Drawers

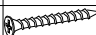

TOOLS REQUIRED (NOT PROVIDED)

PHILLIPS SCREWDRIVER

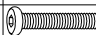





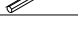
HARDWARE LIST: ICB-400

No.	Description	Sketch	Quantity
A	Bolt Ø5/16"*2-1/4"		8 PCS
B	Lock Washer Ø5/16"		8 PCS
C	Flat Washer Ø5/16"		8 PCS
D	Allen Wrench 5mm		1 PC

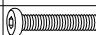



HARDWARE LIST: ICB-402L

No.	Description	Sketch	Quantity
E	Wood Screw		8 PCS
F	Allen Wrench 4mm		1 PC





HARDWARE LIST: ICB-403D

No.	Description	Sketch	Quantity
G	Bolt Ø1/4"*1-3/4"		6 PCS
H	Bolt Ø1/4"*1-1/4"		4 PCS
I	Lock Washer Ø1/4"		10 PCS
J	Flat washer Ø1/4"		10 PCS
K	Wood Screw #8*1"		8 PCS
L	Wood Screw #8*1-1/2"		5 PCS
M	Allen Wrench 4mm		1 PC



HARDWARE LIST: ICB-412

No.	Description	Sketch	Quantity
N	Bolt Ø5/16"*1-3/4"		10 PCS
O	Lock Washer Ø5/16"		10 PCS
P	Flat Washer Ø5/16"		10 PCS
Q	Allen Wrench 5mm		1 PC




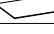


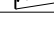
COMPONENTS LIST: ICB-400

No.	Description	Sketch	Quantity
1	Headboard		1 PC
2	Left Leg		1 PC
3	Right Leg		1 PC
4	Wood Stretcher		1 PC





COMPONENTS LIST: ICB-402L

No.	Description	Sketch	Quantity
1	Bed rails		2 PCS
2	Slats		4 PCS

COMPONENTS LIST: ICB-403D

No.	Description	Sketch	Quantity
1	Footboard		1 PC
2	Support Leg (for center rail)		1 PC
3	Support Leg (for pedestal)		2 PCS
4	Decking		4 PCS
5	Center Rail		1 PC
6	Bun Foot		2 PCS
7	Support Panel		2 PCS

COMPONENTS LIST: ICB-412

No.	Description	Sketch	Quantity
1	Headboard		1 PC
2	Left Leg		1 PC
3	Right Leg		1 PC
4	Wood Stretcher		1 PC

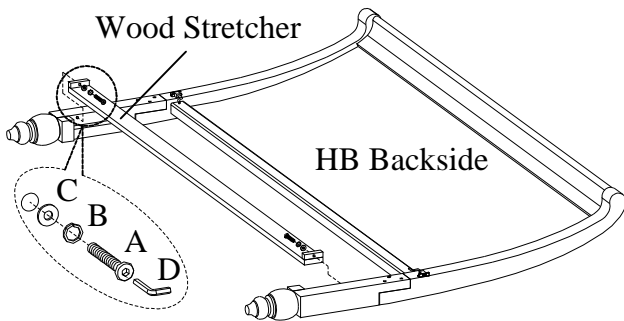
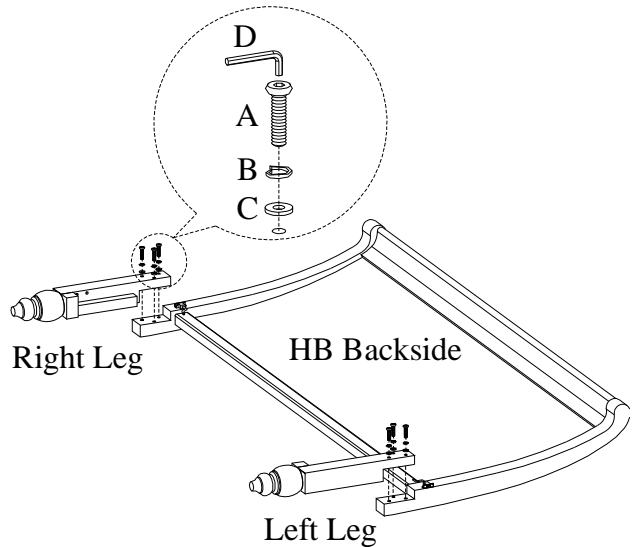


ITEM NO: ICB-400-BCH/BLK/EGG/GRY-KD-1
 ICB-412-BCH/BLK/EGG/GRY-KD
 ICB-402L-BCH/BLK/EGG/GRY-1
 ICB-403D-BCH/BLK/EGG/GRY-1

Queen Sleigh Bed HB
 Queen Panel HB
 Queen Side Rails
 Queen LP FB w/Drawers

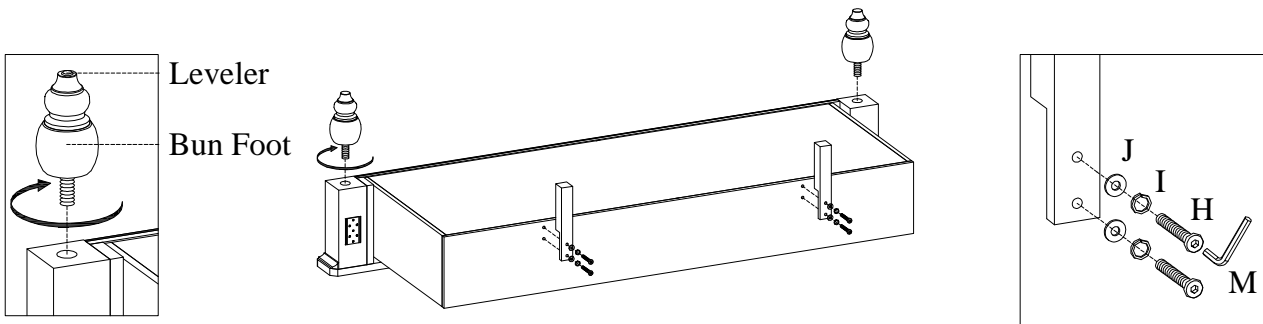
OPTION 1: Queen Storage Sleigh Bed

STEP 1: Lay the headboard face down on a soft surface. Attach the left leg and right leg to headboard by using 6 bolts(A), lock washers(B) and flat washers(C).



STEP 2: Attach the wood stretcher to the legs by using 2 bolts(A), lock washers(B) and flat washers(C).

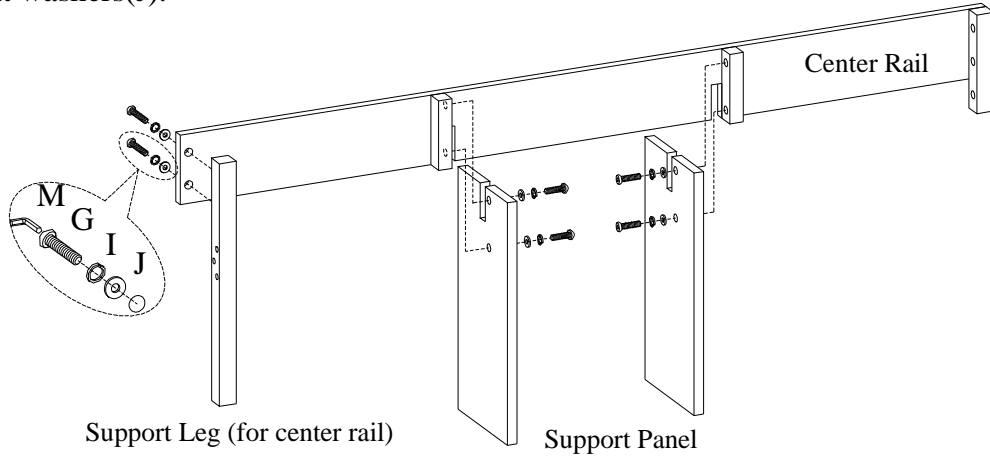
STEP 3: Lay footboard upside down on a padded, clean surface. Attach support legs (for pedestal) and bun feet to footboard using 4 bolts(H), lock washers(I) and flat washers(J). Turn footboard right side up.



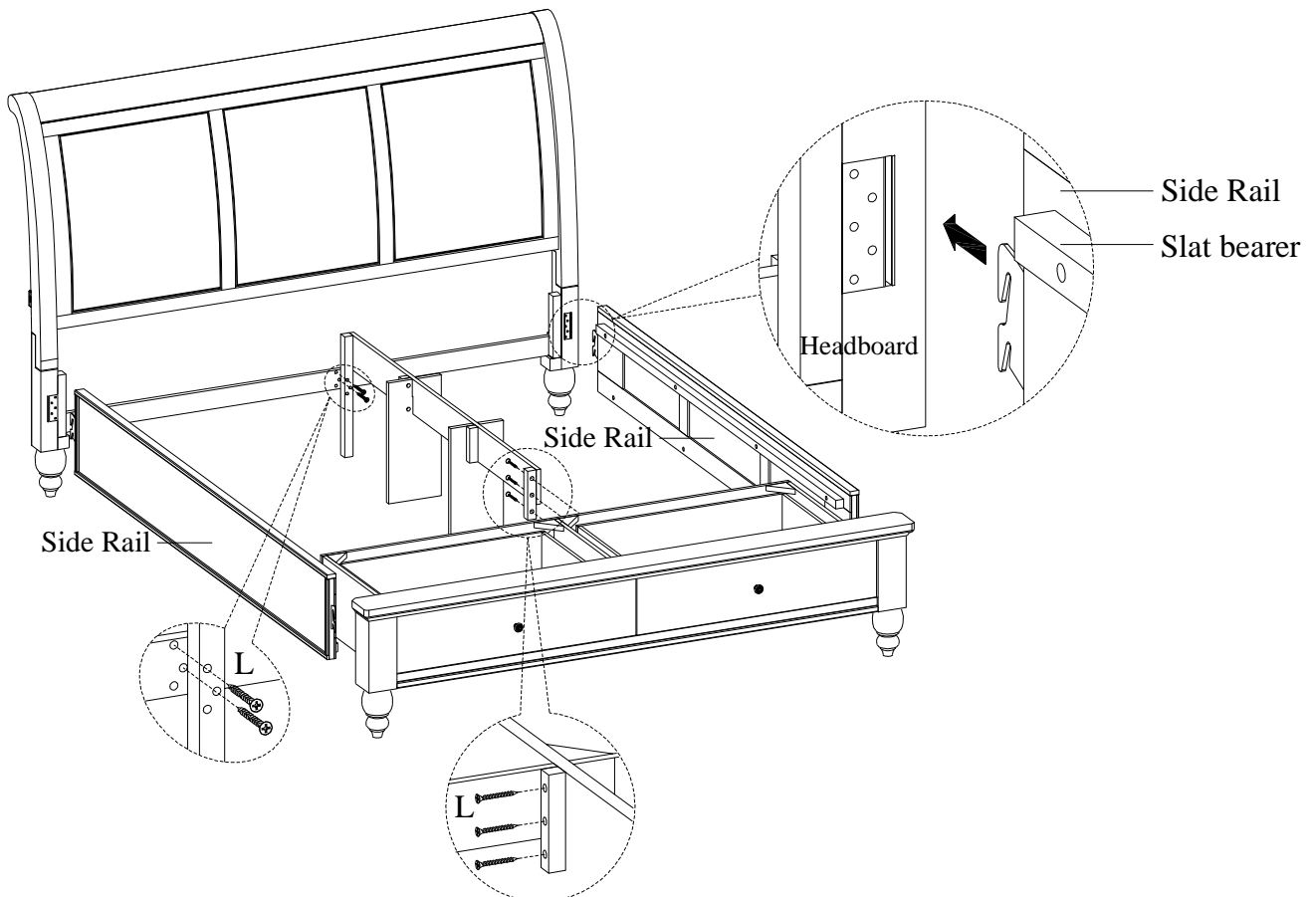


ITEM NO: ICB-400-BCH/BLK/EGG/GRY-KD-1 Queen Sleigh Bed HB
 ICB-412-BCH/BLK/EGG/GRY-KD Queen Panel HB
 ICB-402L-BCH/BLK/EGG/GRY-1 Queen Side Rails
 ICB-403D-BCH/BLK/EGG/GRY-1 Queen LP FB w/Drawers

STEP 4: Attach support leg and support panels to center rail by using 6 bolts(G), lock washers(I) and flat washers(J).



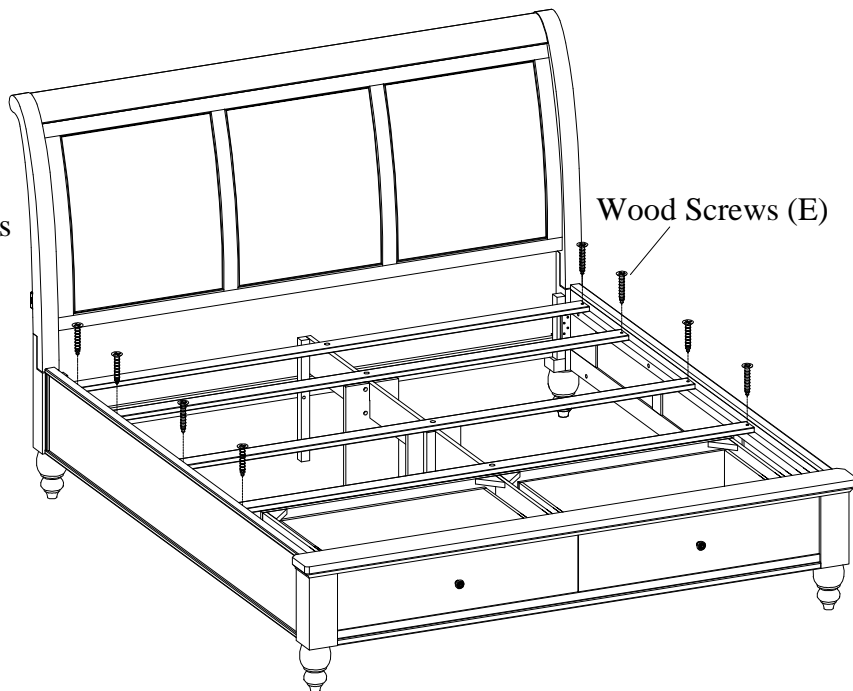
STEP 5: Hook the side rails to the headboard and footboard, Attach support leg and center rail to headboard and footboard by using 5 wood screws(L).



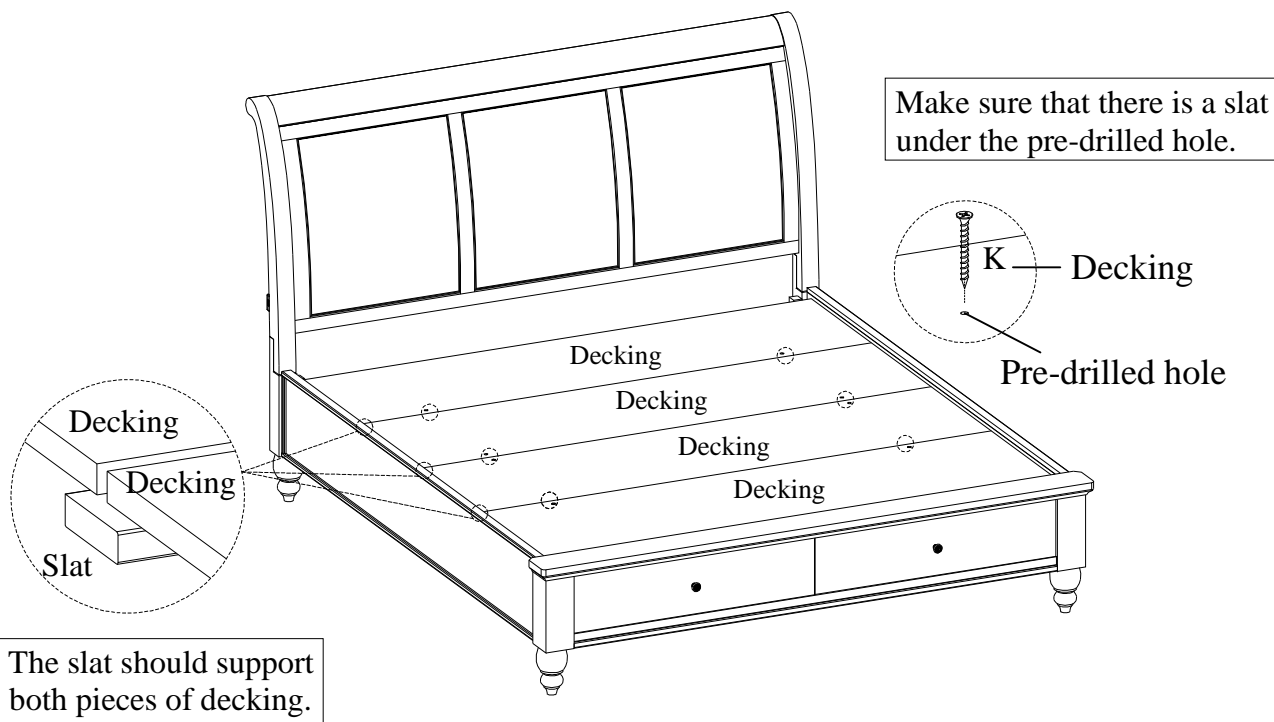


- | | |
|---------------------------------------|-----------------------|
| ITEM NO: ICB-400-BCH/BLK/EGG/GRY-KD-1 | Queen Sleigh Bed HB |
| ICB-412-BCH/BLK/EGG/GRY-KD | Queen Panel HB |
| ICB-402L-BCH/BLK/EGG/GRY-1 | Queen Side Rails |
| ICB-403D-BCH/BLK/EGG/GRY-1 | Queen LP FB w/Drawers |

STEP 6: Arrange slats on the slat bearers and then lay decking on top of the slats. Make sure the slats are positioned along the seams of the decking as shown in the detail in STEP 7 under the pre-drilled hole. Remove the decking and attach slats to the slat bearers with wood screws (E).



STEP 7: Put the decking over the slats, secure decking to the slats with wood screws (K) through the pre-drilled holes in the decking as shown below.



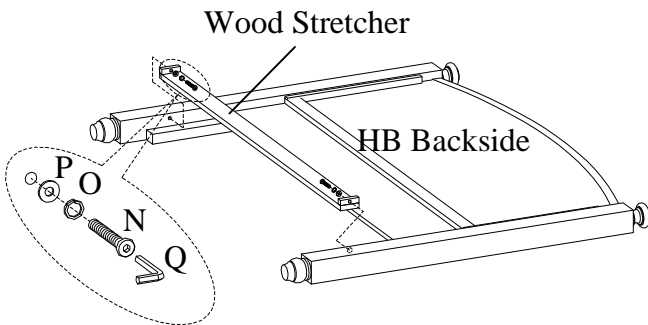
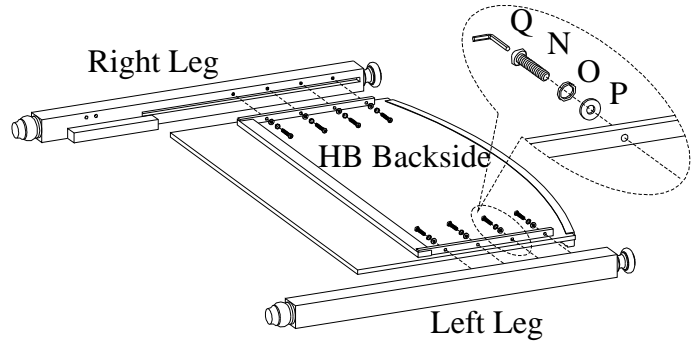


ITEM NO: ICB-400-BCH/BLK/EGG/GRY-KD-1
 ICB-412-BCH/BLK/EGG/GRY-KD
 ICB-402L-BCH/BLK/EGG/GRY-1
 ICB-403D-BCH/BLK/EGG/GRY-1

Queen Sleigh Bed HB
 Queen Panel HB
 Queen Side Rails
 Queen LP FB w/Drawers

OPTION 2: Queen Storage Panel Bed

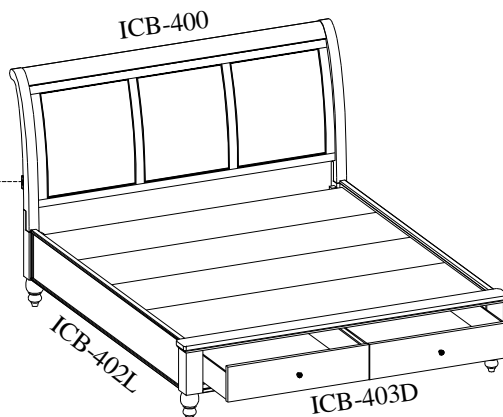
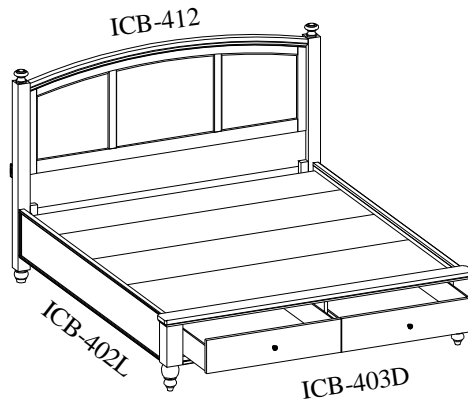
STEP 1: Lay the headboard face down on a soft surface. Attach the left leg and right leg to headboard by using 8 bolts(N), lock washers(O) and flat washers(P).



STEP 2: Attach the wood stretcher to the legs by using 2 bolts(N), lock washers(O) and flat washers(P).

STEP 3 to STEP 7 are same as OPTION 1

FUNCTIONALITY INSTRUCTION



1 Powered USB Port for Charging on both sides

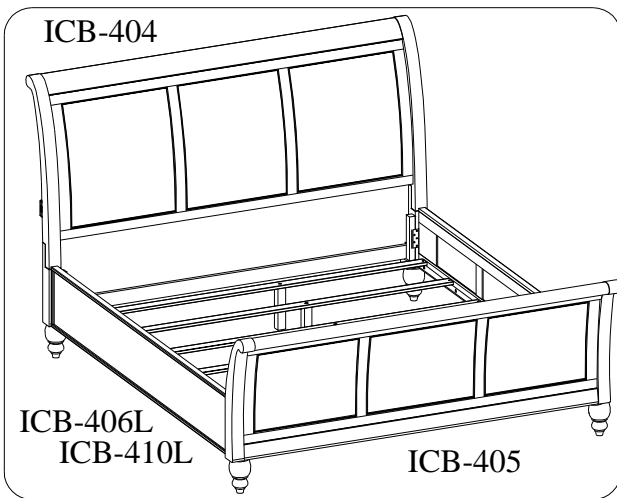


ITEM NO: ICB-404-BCH/BLK/EGG/GRY-KD-1 King/Cal King Sleigh Bed HB
 ICB-405-BCH/BLK/EGG/GRY-1 King/Cal King Sleigh Bed FB
 ICB-406L-BCH/BLK/EGG/GRY-1 King Side Rails
 ICB-410L-BCH/BLK/EGG/GRY-1 Cal King Side Rails

Thank you for purchasing this quality product. Be sure to check all packing material carefully for small parts that may come loose inside the carton during shipment.



UNIT SHOULD BE INSTALLED BY 2 OR MORE PERSONS.



All Beds need to be set up in the exact final location so that after full assembly it will not need to be moved. Moving the bed will cause the support legs to move out of perpendicular (90 degree), weaken the support system, and may allow the bed to collapse.

TOOLS REQUIRED (NOT PROVIDED)

PHILLIPS SCREWDRIVER

HARDWARE LIST: ICB-404

No.	Description	Sketch	Quantity
A	Bolt Ø5/16"*2-1/4"		8 PCS
B	Lock Washer Ø5/16"		8 PCS
C	Flat Washer Ø5/16"		8 PCS
D	Allen Wrench 5mm		1 PC

HARDWARE LIST: ICB-406L/410L

No.	Description	Sketch	Quantity
E	Wood Screw		10 PCS
F	Allen Wrench 4mm		1 PC

COMPONENTS LIST: ICB-404

No.	Description	Sketch	Quantity
1	Headboard		1 PC
2	Left Leg		1 PC
3	Right Leg		1 PC
4	Wood Stretcher		1 PC

COMPONENTS LIST: ICB-406L/410L

No.	Description	Sketch	Quantity
1	Bed rails		2 PCS
2	Slats		5 PCS
3	Magnetic Plate(Only for -410L)		4 PCS

COMPONENTS LIST: ICB-405

No.	Description	Sketch	Quantity
1	Footboard		1 PC
2	Bun Foot		2 PCS
3	Support legs with leveler		5 PCS

BEFORE USING THIS PRODUCT PLEASE READ, UNDERSTAND, AND FOLLOW THESE INSTRUCTIONS. Save these instructions for future reference.

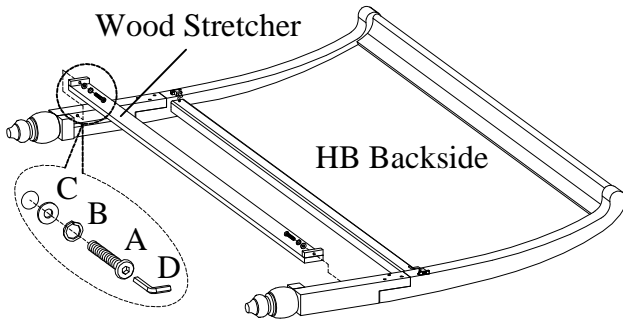
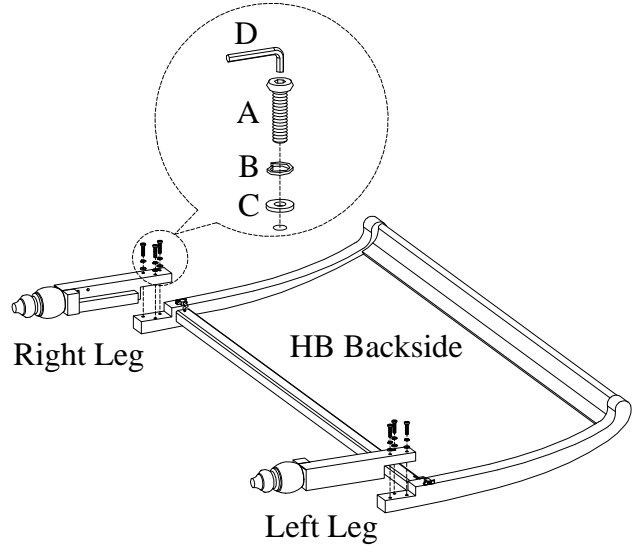
FOR INDOOR USE ONLY



ITEM NO: ICB-404-BCH/BLK/EGG/GRY-KD-1
 ICB-405-BCH/BLK/EGG/GRY-1
 ICB-406L-BCH/BLK/EGG/GRY-1
 ICB-410L-BCH/BLK/EGG/GRY-1

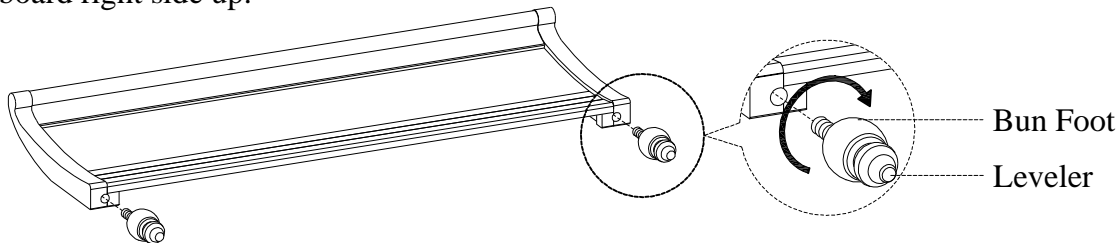
King/Cal King Sleigh Bed HB
 King/Cal King Sleigh Bed FB
 King Side Rails
 Cal King Side Rails

STEP 1: Lay the headboard face down on a soft surface. Attach the left leg and right leg to headboard by using 6 bolts(A), lock washers(B) and flat washers(C).

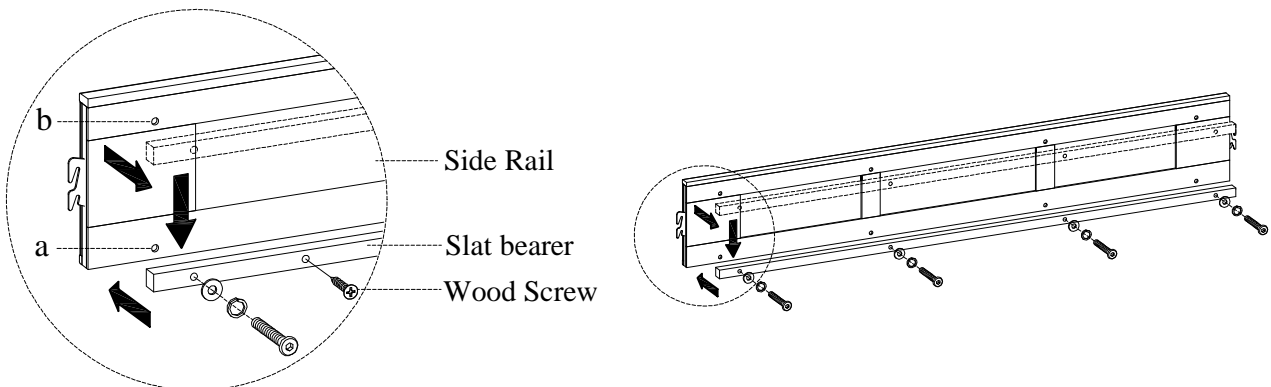


STEP 2: Attach the wood stretcher to the legs by using 2 bolts(A), lock washers(B) and flat washers(C).

STEP 3: Lay footboard back down on a padded, clean surface. Attach bun feet to footboard. Turn footboard right side up.



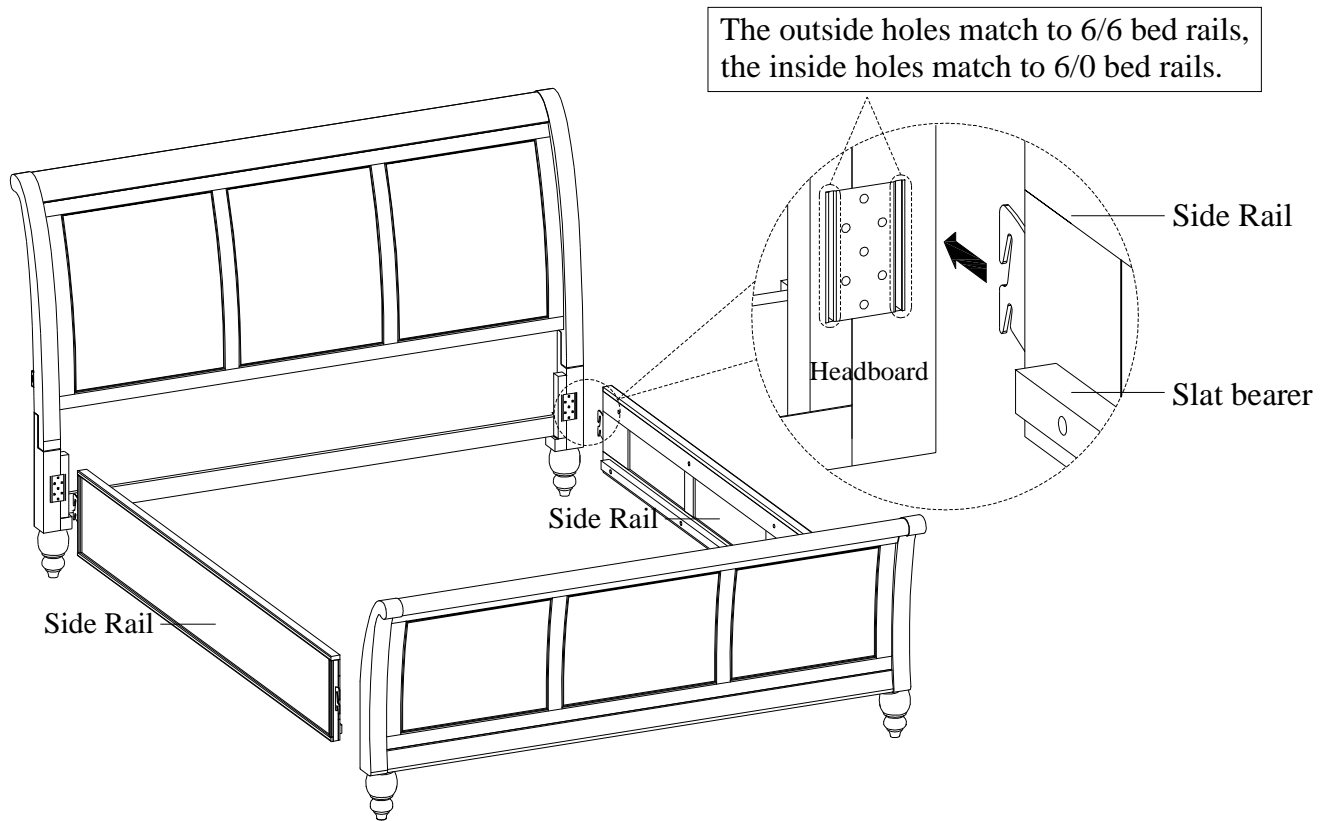
STEP 4: The slat bearers have been attached in position b. The slat bearers can be moved into position a depending on the mattress/platform configuration. Remove the bolts and screws from the slat bearers and side rails as shown below. Then re-attach the slat bearers to the side rails in desired position with bolts, lock washers, flat washers, and screws. **Caution: Do not over tighten bolts as this may loosen the threaded inserts in the side rails.**



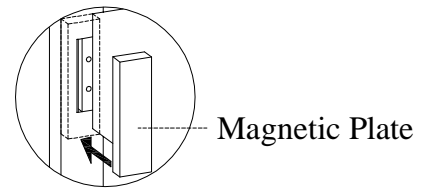


ITEM NO: ICB-404-BCH/BLK/EGG/GRY-KD-1 King/Cal King Sleigh Bed HB
 ICB-405-BCH/BLK/EGG/GRY-1 King/Cal King Sleigh Bed FB
 ICB-406L-BCH/BLK/EGG/GRY-1 King Side Rails
 ICB-410L-BCH/BLK/EGG/GRY-1 Cal King Side Rails

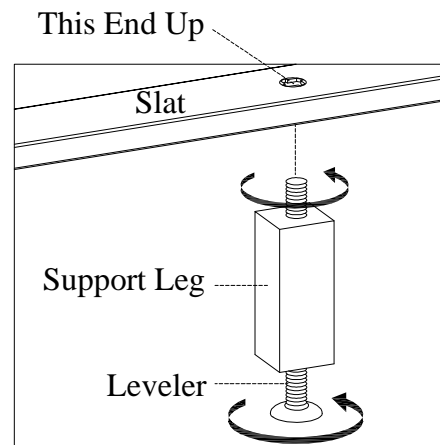
STEP 5: Hook the side rails to the headboard and footboard.



STEP 6: For Cal King bed, use magnetic plate to cover the exposed hooks on headboard and footboard. For regular King bed, skip this step.



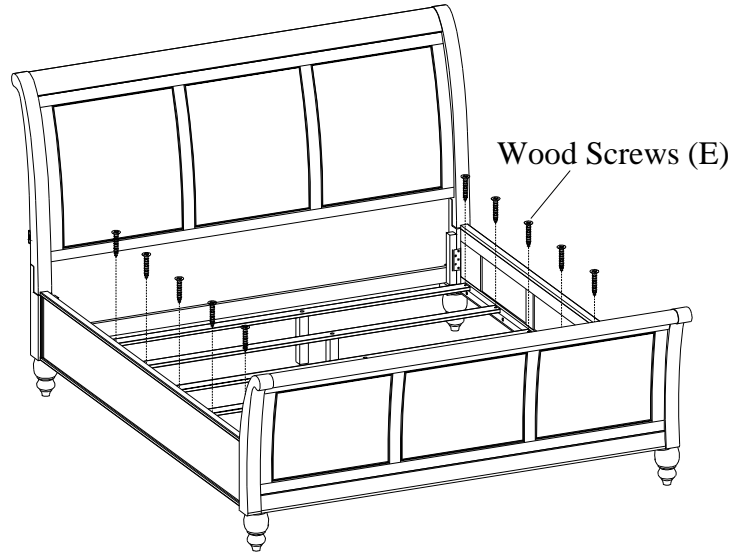
STEP 7: Attach the support legs with leveler to the slats. Adjust the levelers on bottom of support legs when necessary.



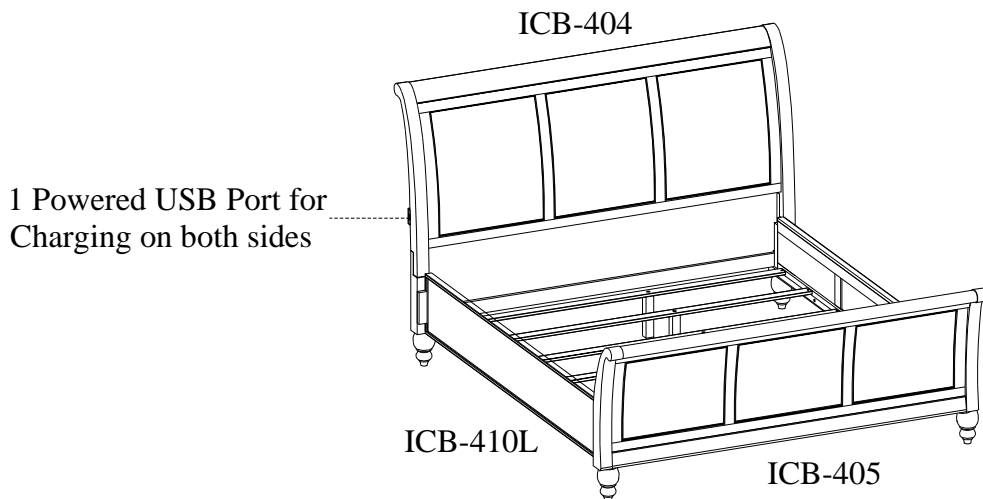
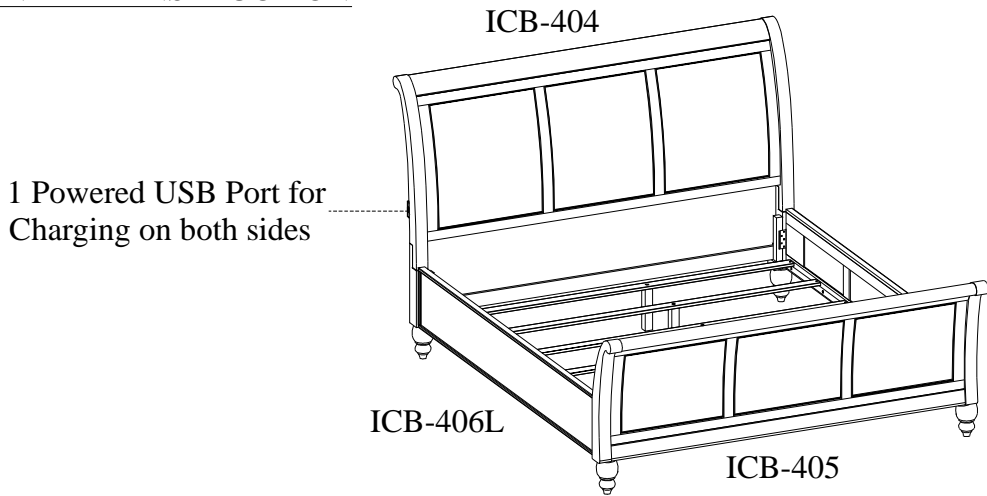


ITEM NO: ICB-404-BCH/BLK/EGG/GRY-KD-1 King/Cal King Sleigh Bed HB
 ICB-405-BCH/BLK/EGG/GRY-1 King/Cal King Sleigh Bed FB
 ICB-406L-BCH/BLK/EGG/GRY-1 King Side Rails
 ICB-410L-BCH/BLK/EGG/GRY-1 Cal King Side Rails

STEP 8: Arrange the slats on the slat bearers equally and attach to the slat bearers with wood screws (E).



FUNCTIONALITY INSTRUCTION





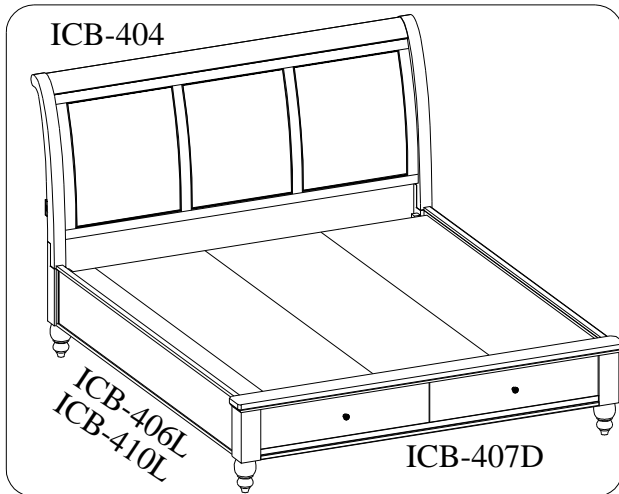
ITEM NO: ICB-404-BCH/BLK/EGG/GRY-KD-1	King/Cal King Sleigh Bed HB
ICB-415-BCH/BLK/EGG/GRY-KD	King/Cal King Panel HB
ICB-406L-BCH/BLK/EGG/GRY-1	King Side Rails
ICB-410L-BCH/BLK/EGG/GRY-1	Cal King Side Rails
ICB-407D-BCH/BLK/EGG/GRY-1	King/Cal King LP FB w/Drawers

Thank you for purchasing this quality product. Be sure to check all packing material carefully for small parts that may come loose inside the carton during shipment.



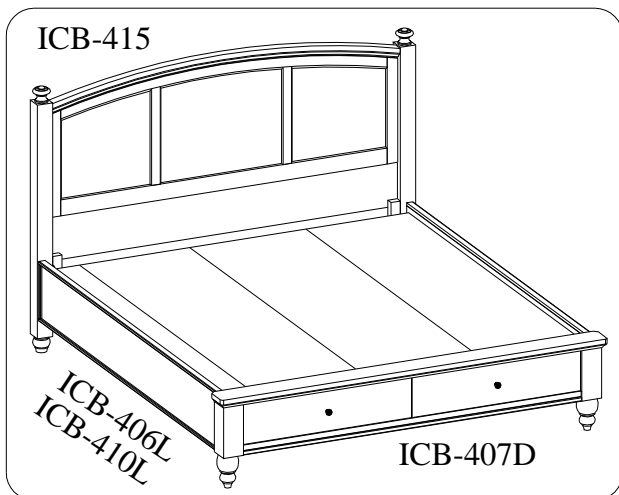
UNIT SHOULD BE INSTALLED BY 2 OR MORE PERSONS.

OPTION 1: King/Cal king Storage Sleigh Bed



All Beds need to be set up in the exact final location so that after full assembly it will not need to be moved. Moving the bed will cause the support legs to move out of perpendicular (90 degree), weaken the support system, and may allow the bed to collapse.

OPTION 2: King/Cal King Storage Panel Bed



BEFORE USING THIS PRODUCT PLEASE READ, UNDERSTAND, AND FOLLOW THESE INSTRUCTIONS.
Save these instructions for future reference.

FOR INDOOR USE ONLY



ITEM NO: ICB-404-BCH/BLK/EGG/GRY-KD-1
 ICB-415-BCH/BLK/EGG/GRY-KD
 ICB-406L-BCH/BLK/EGG/GRY-1
 ICB-410L-BCH/BLK/EGG/GRY-1
 ICB-407D-BCH/BLK/EGG/GRY-1

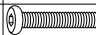



King/Cal King Sleigh Bed HB
 King/Cal King Panel HB
 King Side Rails
 Cal King Side Rails
 King/Cal King LP FB w/Drawers

TOOLS REQUIRED (NOT PROVIDED)

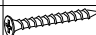

PHILLIPS SCREWDRIVER

UTILITY KNIFE (FOR CAL KING)

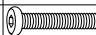






HARDWARE LIST: ICB-404

No.	Description	Sketch	Quantity
A	Bolt Ø5/16"*2-1/4"		8 PCS
B	Lock Washer Ø5/16"		8 PCS
C	Flat Washer Ø5/16"		8 PCS
D	Allen Wrench 5mm		1 PC

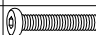



HARDWARE LIST: ICB-406L/410L

No.	Description	Sketch	Quantity
E	Wood Screw		10 PCS
F	Allen Wrench 4mm		1 PC


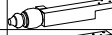


HARDWARE LIST: ICB-407D

No.	Description	Sketch	Quantity
G	Bolt Ø1/4"*1-3/4"		9 PCS
H	Bolt Ø1/4"*1-1/4"		4 PCS
I	Lock Washer Ø1/4"		13 PCS
J	Flat washer Ø1/4"		13 PCS
K	Wood Screw #8*1"		6 PCS
L	Wood Screw #8*1-1/2"		5 PCS
M	Allen Wrench 4mm		1 PC




HARDWARE LIST: ICB-415

No.	Description	Sketch	Quantity
N	Bolt Ø5/16"*1-3/4"		10 PCS
O	Lock Washer Ø5/16"		10 PCS
P	Flat Washer Ø5/16"		10 PCS
Q	Allen Wrench 5mm		1 PC



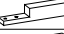
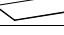




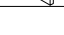
COMPONENTS LIST: ICB-404

No.	Description	Sketch	Quantity
1	Headboard		1 PC
2	Left Leg		1 PC
3	Right Leg		1 PC
4	Wood Stretcher		1 PC





COMPONENTS LIST: ICB-406L/410L

No.	Description	Sketch	Quantity
1	Bed rails		2 PCS
2	Slats		5 PCS
3	Magnetic Plate(Only for -410L)		4 PCS

COMPONENTS LIST: ICB-407D

No.	Description	Sketch	Quantity
1	Footboard		1 PC
2	Support Leg (for center rail)		1 PC
3	Support Leg (for pedestal)		2 PCS
4	Decking		3 PCS
5	Center Rail		1 PC
6	Filler		1 PC
7	Bun Foot		2 PCS
8	Support Panel		2 PCS
9	Rail connector		1 PC

COMPONENTS LIST: ICB-415

No.	Description	Sketch	Quantity
1	Headboard		1 PC
2	Left Leg		1 PC
3	Right Leg		1 PC
4	Wood Stretcher		1 PC

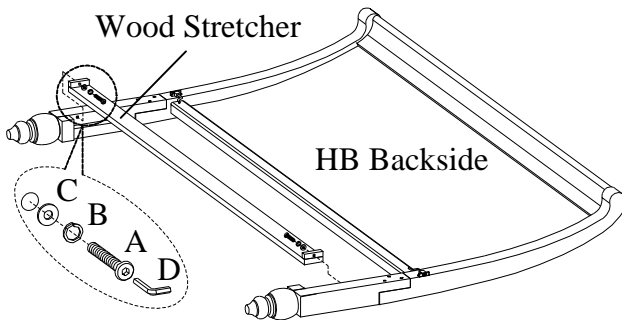
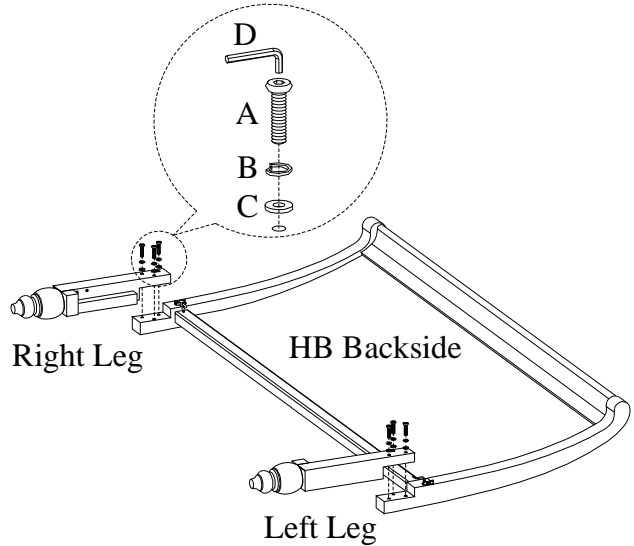


ITEM NO: ICB-404-BCH/BLK/EGG/GRY-KD-1
 ICB-415-BCH/BLK/EGG/GRY-KD
 ICB-406L-BCH/BLK/EGG/GRY-1
 ICB-410L-BCH/BLK/EGG/GRY-1
 ICB-407D-BCH/BLK/EGG/GRY-1

King/Cal King Sleigh Bed HB
 King/Cal King Panel HB
 King Side Rails
 Cal King Side Rails
 King/Cal King LP FB w/Drawers

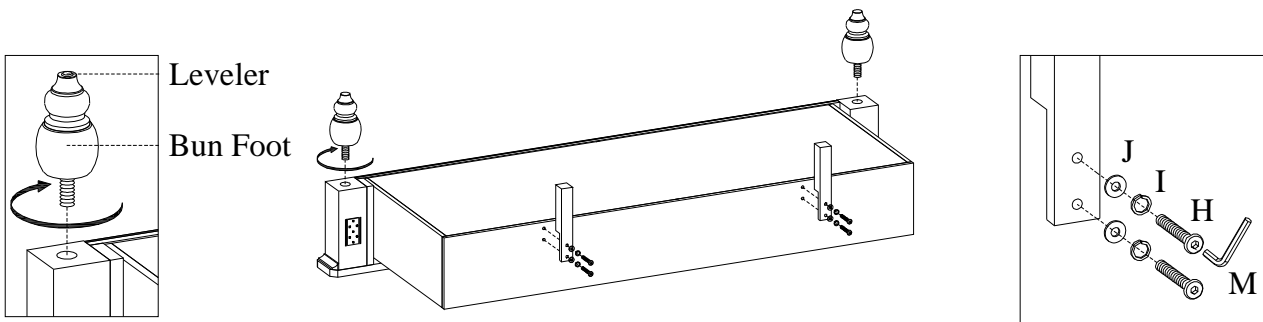
OPTION 1: King/Cal king Storage Sleigh Bed

STEP 1: Lay the headboard face down on a soft surface. Attach the left leg and right leg to headboard by using 6 bolts(A), lock washers(B) and flat washers(C).



STEP 2: Attach the wood stretcher to the legs by using 2 bolts(A), lock washers(B) and flat washers(C).

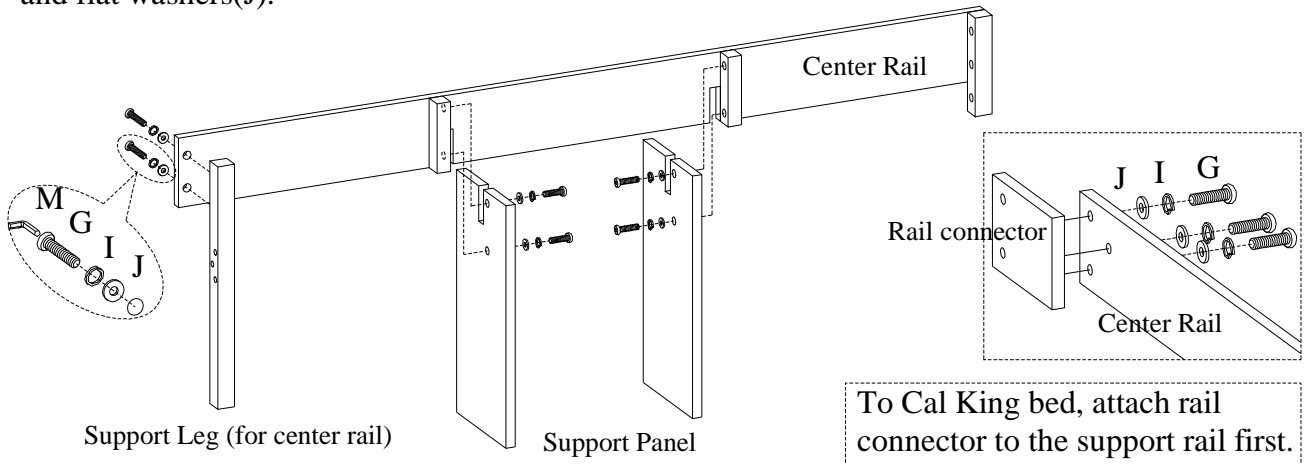
STEP 3: Lay footboard upside down on a padded, clean surface. Attach support legs (for pedestal) and bun feet to footboard using 4 bolts(H), lock washers(I) and flat washers(J). Turn footboard right side up.



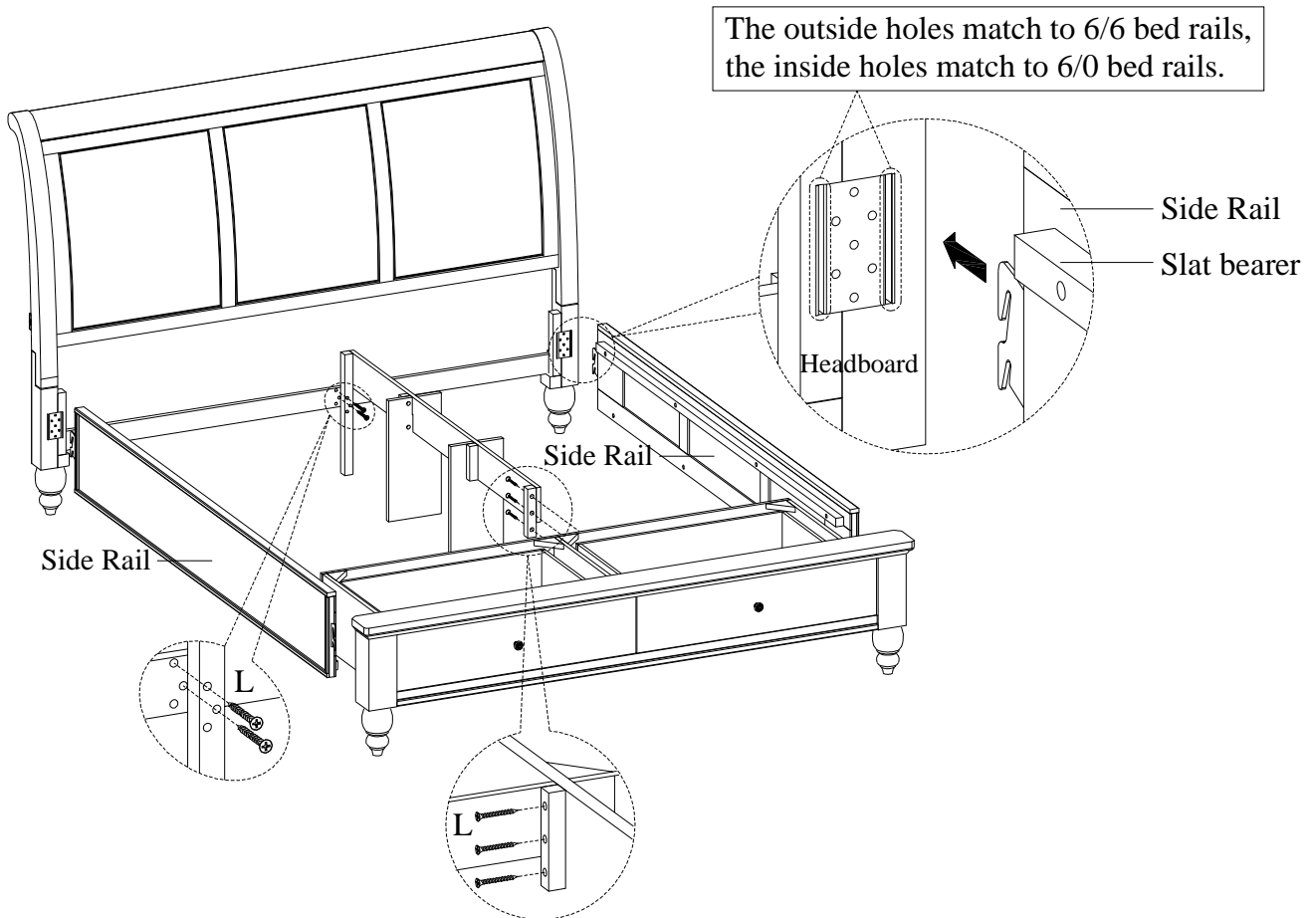


- | | |
|---------------------------------------|-------------------------------|
| ITEM NO: ICB-404-BCH/BLK/EGG/GRY-KD-1 | King/Cal King Sleigh Bed HB |
| ICB-415-BCH/BLK/EGG/GRY-KD | King/Cal King Panel HB |
| ICB-406L-BCH/BLK/EGG/GRY-1 | King Side Rails |
| ICB-410L-BCH/BLK/EGG/GRY-1 | Cal King Side Rails |
| ICB-407D-BCH/BLK/EGG/GRY-1 | King/Cal King LP FB w/Drawers |

STEP 4: Attach support leg and support panels to center rail by using 6 bolts(G), lock washers(I) and flat washers(J).



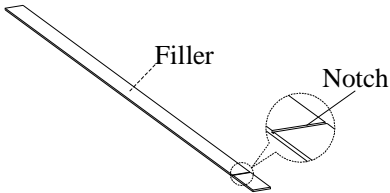
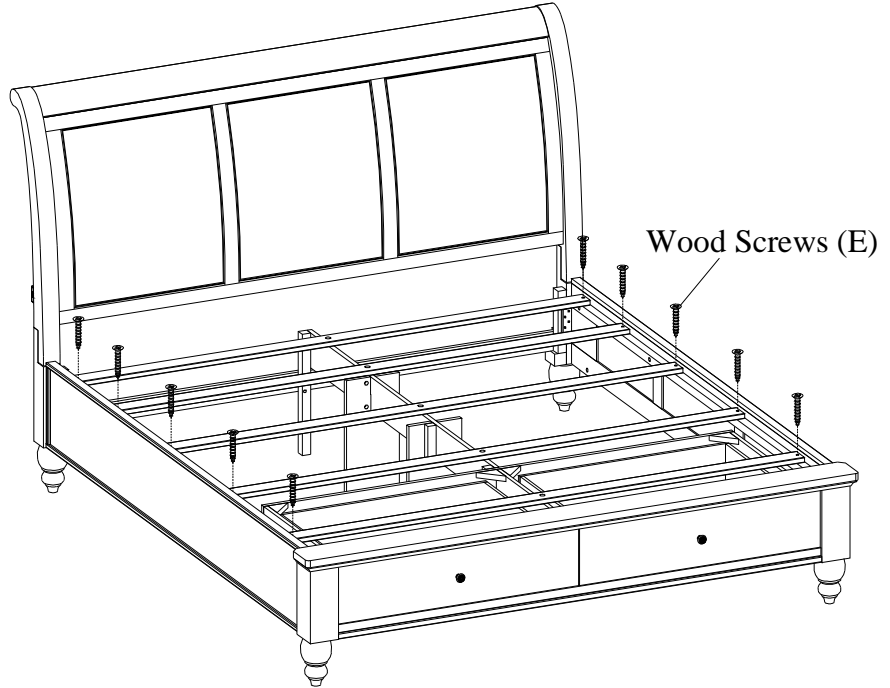
STEP 5: Hook the side rails to the headboard and footboard, Attach support leg and center rail to headboard and footboard by using 5 wood screws(L).





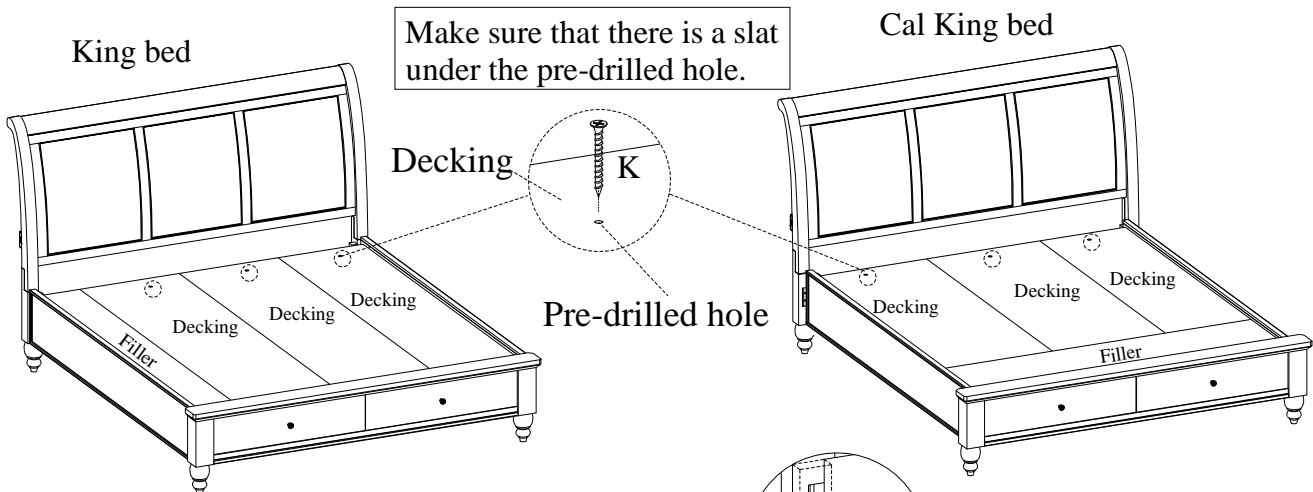
- | | |
|---------------------------------------|-------------------------------|
| ITEM NO: ICB-404-BCH/BLK/EGG/GRY-KD-1 | King/Cal King Sleigh Bed HB |
| ICB-415-BCH/BLK/EGG/GRY-KD | King/Cal King Panel HB |
| ICB-406L-BCH/BLK/EGG/GRY-1 | King Side Rails |
| ICB-410L-BCH/BLK/EGG/GRY-1 | Cal King Side Rails |
| ICB-407D-BCH/BLK/EGG/GRY-1 | King/Cal King LP FB w/Drawers |

STEP 6: Arrange slats on the slat bearers and then lay the decking on top of the slats. Make sure the top and bottom slats are situated underneath the pre-drilled holes as shown below in STEP 8. Remove the decking and attach slats to the slat bearers with wood screws (E).

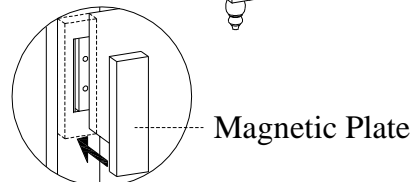


STEP 7: For Cal King bed, use a utility knife to cut off the small piece at the notch on the Decking Filler piece included with the Storage Footboard. For regular King bed, skip this step.

STEP 8: Put the decking over the slats, secure decking to the slats with wood screws (K) through the pre-drilled holes in the decking as shown below.



STEP 9: For Cal King bed, use magnetic plate to cover the exposed hooks on headboard and footboard. For regular King bed, skip this step.



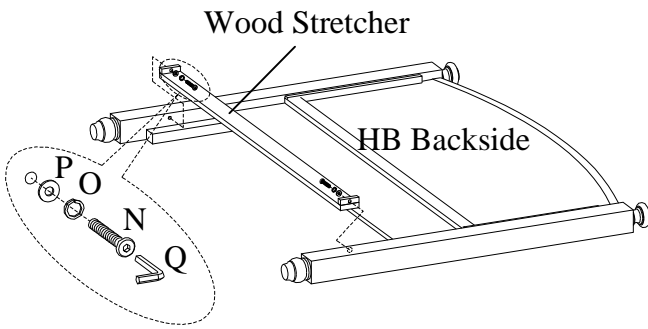
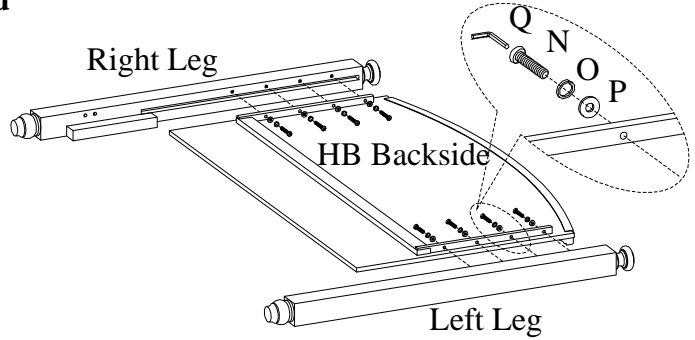


ITEM NO: ICB-404-BCH/BLK/EGG/GRY-KD-1
 ICB-415-BCH/BLK/EGG/GRY-KD
 ICB-406L-BCH/BLK/EGG/GRY-1
 ICB-410L-BCH/BLK/EGG/GRY-1
 ICB-407D-BCH/BLK/EGG/GRY-1

King/Cal King Sleigh Bed HB
 King/Cal King Panel HB
 King Side Rails
 Cal King Side Rails
 King/Cal King LP FB w/Drawers

OPTION 2: King/Cal king Storage Panel Bed

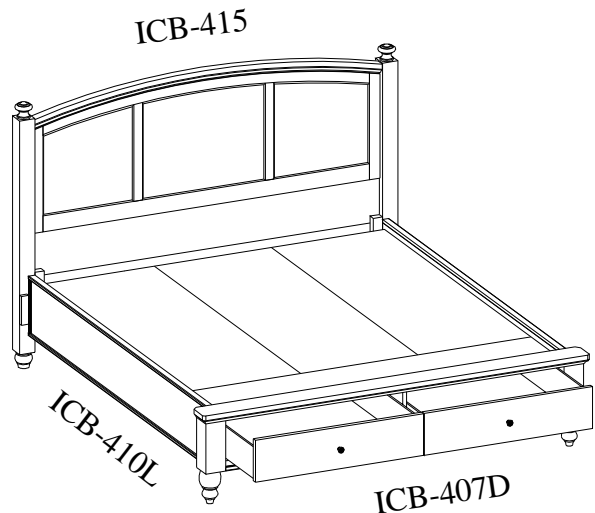
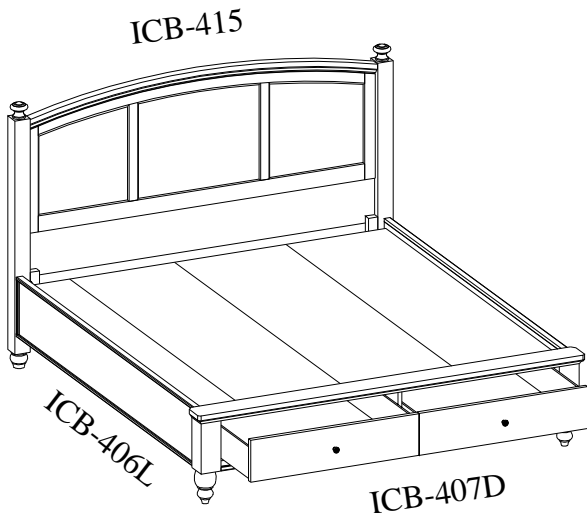
STEP 1: Lay the headboard face down on a soft surface. Attach the left leg and right leg to headboard by using 8 bolts(N), lock washers(O) and flat washers(P).



STEP 2: Attach the wood stretcher to the legs by using 2 bolts(N), lock washers(O) and flat washers(P).

STEP 3 to STEP 9 are same as OPTION 1

FUNCTIONALITY INSTRUCTION





- | | |
|---------------------------------------|-------------------------------|
| ITEM NO: ICB-404-BCH/BLK/EGG/GRY-KD-1 | King/Cal King Sleigh Bed HB |
| ICB-415-BCH/BLK/EGG/GRY-KD | King/Cal King Panel HB |
| ICB-406L-BCH/BLK/EGG/GRY-1 | King Side Rails |
| ICB-410L-BCH/BLK/EGG/GRY-1 | Cal King Side Rails |
| ICB-407D-BCH/BLK/EGG/GRY-1 | King/Cal King LP FB w/Drawers |

