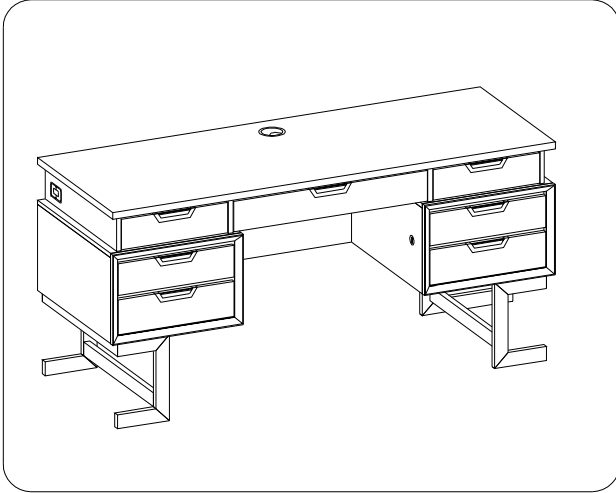




ITEM NO: IHP-304-FSL 66" Executive Desk

Thank you for purchasing this quality product. Be sure to check all packing material carefully for small parts that may come loose inside the carton during shipment.



### TOOLS REQUIRED (NOT PROVIDED)

PHILLIPS SCREWDRIVER

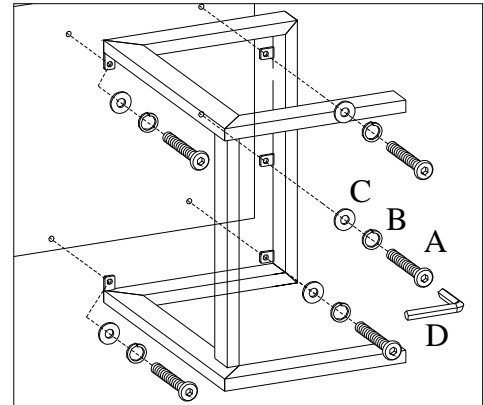
### HARDWARE LIST:

No.	Description	Sketch	Quantity
A	Bolt Ø5/16"*1"		10 PCS
B	Lock Washer Ø5/16"		10 PCS
C	Flat Washer Ø5/16" *3/4"		10 PCS
D	Allen Wrench		1 PC

### COMPONENTS LIST:

No.	Description	Sketch	Quantity
1	Case		1 PC
2	Metal Base		2 PCS

**STEP 1:** Put the case backside down on a soft surface. Arrange the metal bases with the bottom horizontal legs pointing outwards before attaching to the bottom of the case using 10 bolts(A), lock washers(B) and flat washers(C). Turn the case to the upright position.



### FUNCTIONALITY INSTRUCTION

Push latch and open panel

2 AC outlet Power Pack

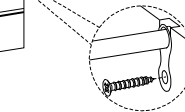
Flip down tray

Locking file drawers hold letter or legal size files

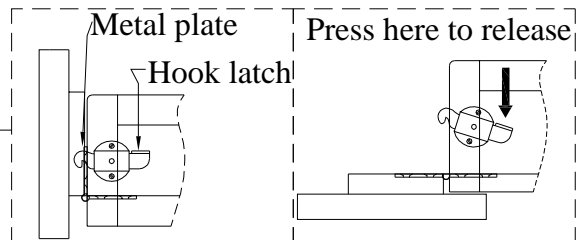
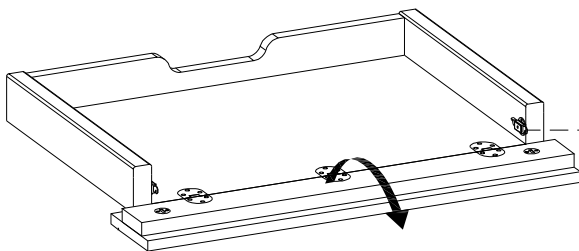
Leveler on metal bases

Adjust the leveler when necessary

Keys for file lock. Do not trash.



Remove the wood screws on the side of drawer box to remove the rod loops and file rods if necessary.



BEFORE USING THIS PRODUCT PLEASE READ, UNDERSTAND, AND FOLLOW THESE INSTRUCTIONS. Save these instructions for future reference.

FOR INDOOR USE ONLY