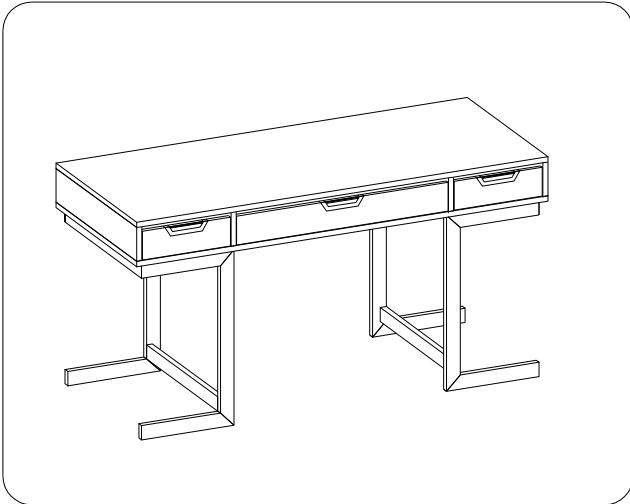




ITEM NO: IHP-360WD-FSL/KHA 60" Writing Desk

Thank you for purchasing this quality product. Be sure to check all packing material carefully for small parts that may come loose inside the carton during shipment.



### TOOLS REQUIRED (NOT PROVIDED)

PHILLIPS SCREWDRIVER

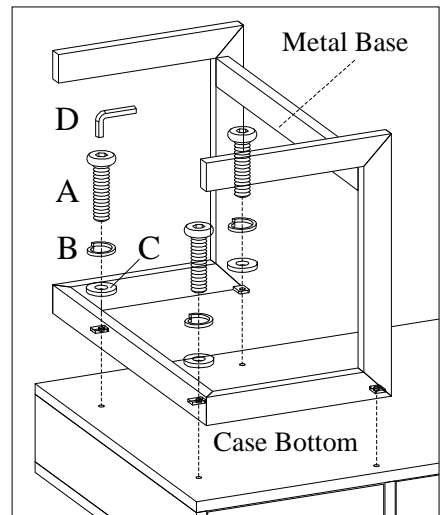
### HARDWARE LIST:

| No. | Description              | Sketch | Quantity |
|-----|--------------------------|--------|----------|
| A   | Bolt Ø5/16"*1"           |        | 8 PCS    |
| B   | Lock Washer Ø5/16"       |        | 8 PCS    |
| C   | Flat Washer Ø5/16" *3/4" |        | 8 PCS    |
| D   | Allen Wrench             |        | 1 PC     |

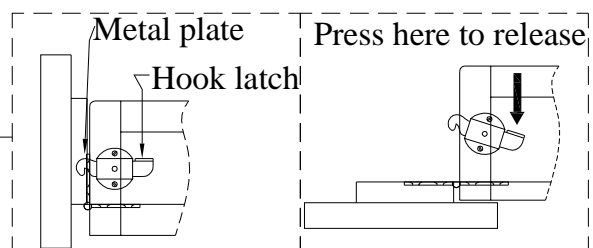
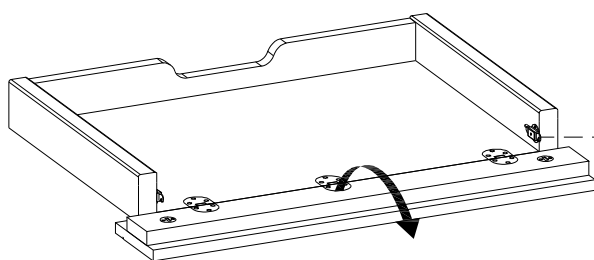
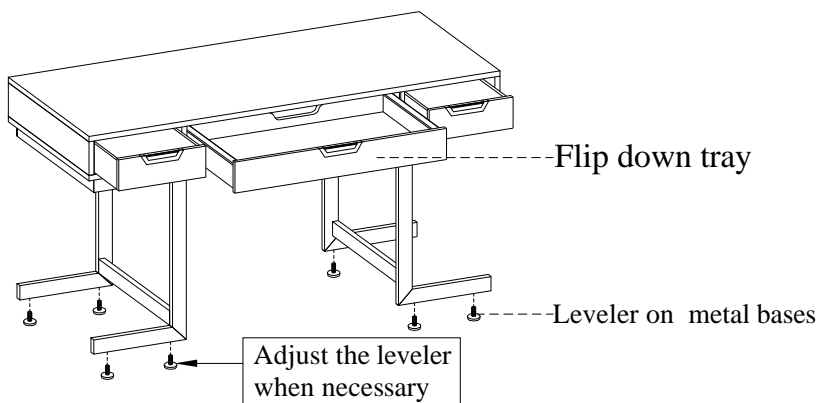
### COMPONENTS LIST:

| No. | Description | Sketch | Quantity |
|-----|-------------|--------|----------|
| 1   | Case        |        | 1 PC     |
| 2   | Metal Base  |        | 2 PCS    |

**STEP 1:** Put the case upside down on a soft surface. Arrange the metal bases with the bottom horizontal legs pointing outwards before attaching to the bottom of the case using 8 bolts(A), lock washers(B) and flat washers(C). Turn the case to the upright position.



### FUNCTIONALITY INSTRUCTION



BEFORE USING THIS PRODUCT PLEASE READ, UNDERSTAND, AND FOLLOW THESE INSTRUCTIONS. Save these instructions for future reference.

FOR INDOOR USE ONLY