



ITEM NO: IHP-378-FSL Combo File

Thank you for purchasing this quality product. Be sure to check all packing material carefully for small parts that may come loose inside the carton during shipment.



TOOLS REQUIRED (NOT PROVIDED)

PHILLIPS SCREWDRIVER

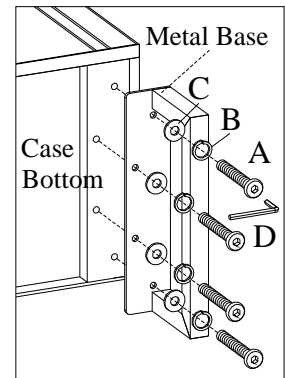
HARDWARE LIST:

No.	Description	Sketch	Quantity
A	Bolt Ø5/16"*1"		8 PCS
B	Lock Washer Ø5/16"		8 PCS
C	Flat Washer Ø5/16" *3/4"		8 PCS
D	Allen Wrench		1 PC

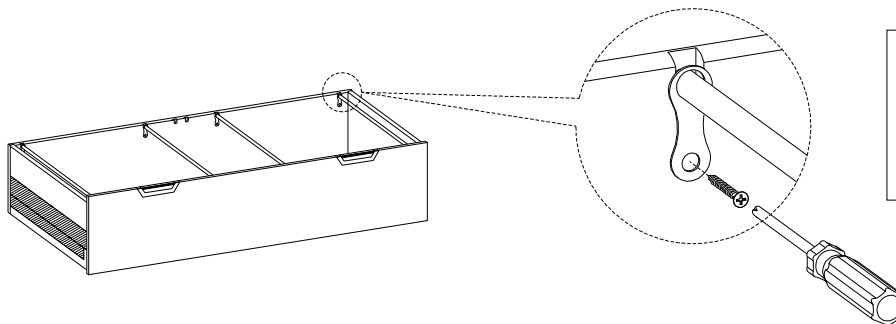
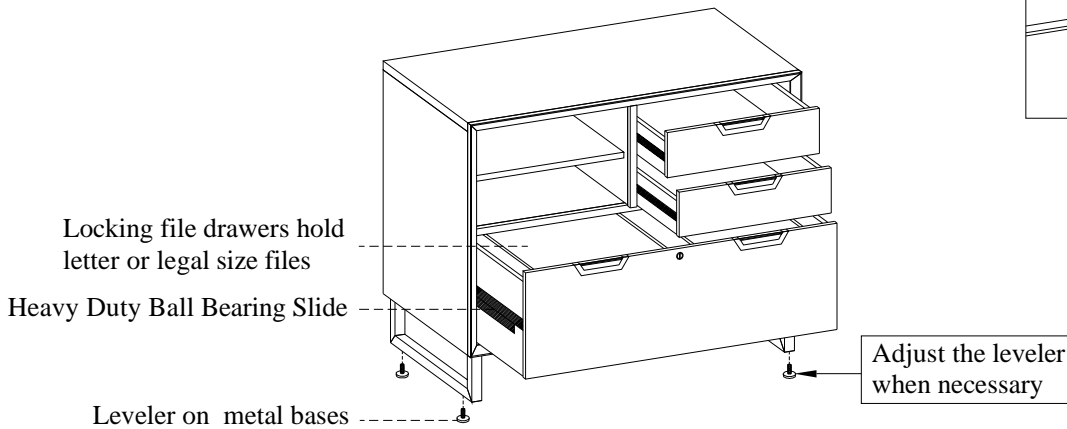
COMPONENTS LIST:

No.	Description	Sketch	Quantity
1	Case		1 PC
2	Metal Base		2 PCS

STEP 1: Put the case backside down on a soft surface. Match the hole pattern on metal bases to the threaded inserts on the bottom and attach to the bottom of the case by using 8 bolts(A), lock washers(B) and flat washers(C). Turn the case to the upright position.



FUNCTIONALITY INSTRUCTION



Remove the wood screws on the back panels of drawer box to remove the rod loops and file rods if necessary.

BEFORE USING THIS PRODUCT PLEASE READ, UNDERSTAND, AND FOLLOW THESE INSTRUCTIONS. Save these instructions for future reference.

FOR INDOOR USE ONLY



ITEM NO: IHP-378-FSL Combo File

Instruction for the File Drawer with Heavy Duty Ball Bearing Slides

To remove the drawer, please remove the set screws on two sides of the drawers. Push the tab in toward the drawer and lift up the drawer to move out.

To install the drawer, please extend the slides all the way out. Set the drawer box into cabinet rail and slide back so the drawer rail goes under the hook in cabinet rail. Then snap the tab into drawer rail and replace set screws.

