



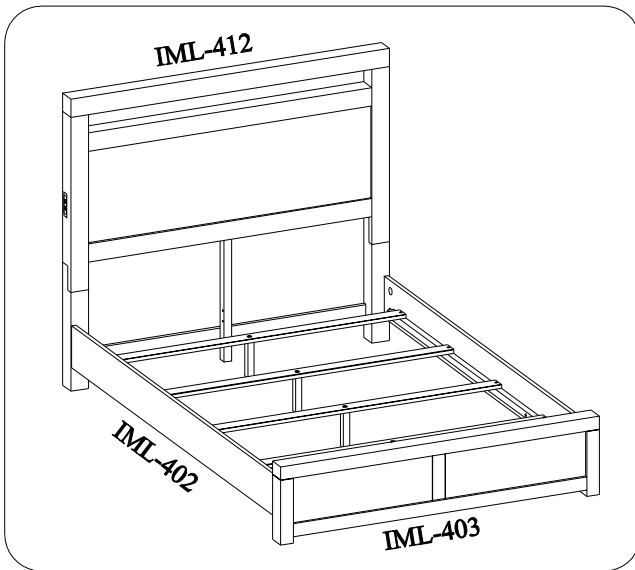
- ITEM NO: IML-412-GRY/BRN    Queen Panel HB
- IML-402-GRY/BRN    Queen Rails
- IML-403-GRY/BRN    Queen Low Profile FB
- IAML-412-GRY/BRN   Queen Panel HB

Thank you for purchasing this quality product. Be sure to check all packing material carefully for small parts that may come loose inside the carton during shipment.



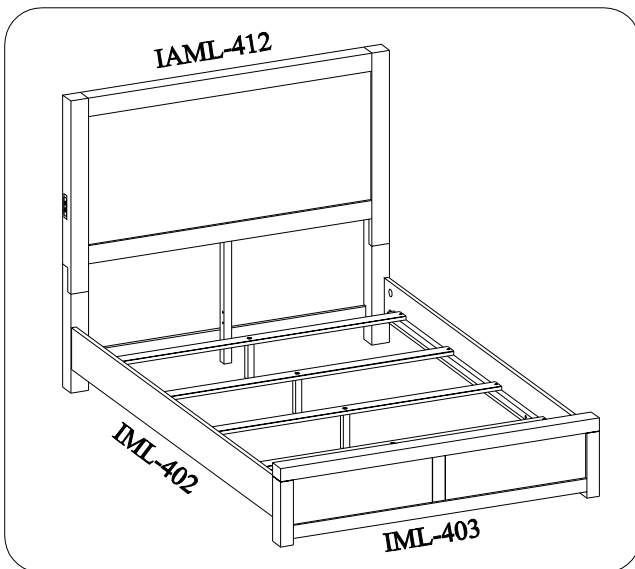
**UNIT SHOULD BE INSTALLED BY 2 OR MORE PERSONS.**

### IML Queen Panel Bed



All Beds need to be set up in the exact final location so that after full assembly it will not need to be moved. Moving the bed will cause the support legs to move out of perpendicular (90 degree), weaken the support system, and may allow the bed to collapse.

### IAML Queen Panel Bed







**BEFORE USING THIS PRODUCT PLEASE READ, UNDERSTAND, AND FOLLOW THESE INSTRUCTIONS.**  
Save these instructions for future reference.

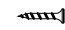




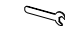
FOR INDOOR USE ONLY











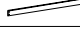

ITEM NO: IML-412-GRY/BRN Queen Panel HB  
 IML-402-GRY/BRN Queen Rails  
 IML-403-GRY/BRN Queen Low Profile FB  
 IAML-412-GRY/BRN Queen Panel HB



TOOLS REQUIRED (NOT PROVIDED)
PHILLIPS SCREWDRIVER



HARDWARE LIST: IML-412 / IAML-412			
No.	Description	Sketch	Quantity
A	Bolt $\phi 5/16" \times 2"$		12 PCS
B	Lock Washer $\phi 5/16"$		12 PCS
C	Flat Washer $\phi 5/16" \times 3/4"$		12 PCS
D	Allen Wrench $5/16"$		1 PC

HARDWARE LIST: IML-402			
No.	Description	Sketch	Quantity
E	Wood Screw $M4 \times 1-1/4"$		8 PCS
F	Bolt $\phi 5/16" \times 3-1/2"$		8 PCS
G	Half Moon Washer $\phi 5/16"$		8 PCS
H	Lock Washer $\phi 5/16"$		8 PCS
I	Hex Nut $\phi 5/16" \times 1/2"$		8 PCS
J	Hex Wrench $\phi 5/16"$		1 PC

COMPONENTS LIST: IML-412			
No.	Description	Sketch	Quantity
1	Headboard		1 PC
2	Left Leg		1 PC
3	Right Leg		1 PC
4	Wood Stretcher		1 PC
5	Center Support Leg		1 PC

COMPONENTS LIST: IAML-412			
No.	Description	Sketch	Quantity
1	Headboard		1 PC
2	Left Leg		1 PC
3	Right Leg		1 PC
4	Wood Stretcher		1 PC
5	Center Support Leg		1 PC

COMPONENTS LIST: IML-402			
No.	Description	Sketch	Quantity
6	Bed rails		2 PCS
7	Slats		4 PCS

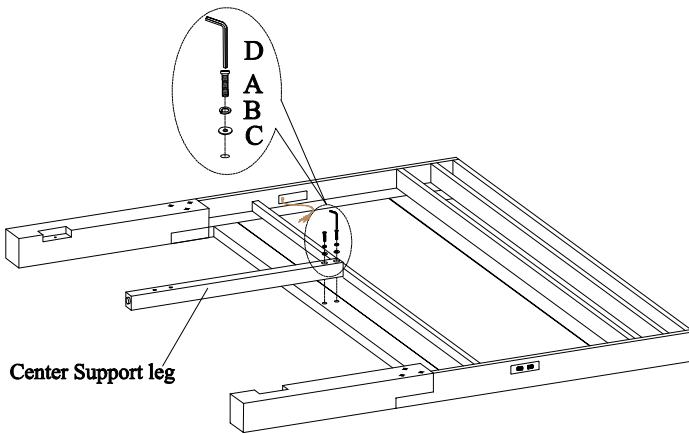
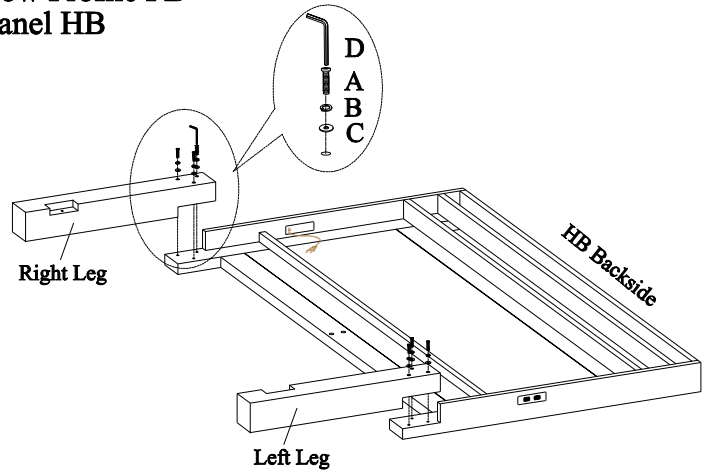
COMPONENTS LIST: IML-403			
No.	Description	Sketch	Quantity
8	Footboard		1 PC
9	Support Leg (for slats)		4 PCS



ITEM NO: IML-412-GRY/BRN Queen Panel HB  
 IML-402-GRY/BRN Queen Rails  
 IML-403-GRY/BRN Queen Low Profile FB  
 IAML-412-GRY/BRN Queen Panel HB

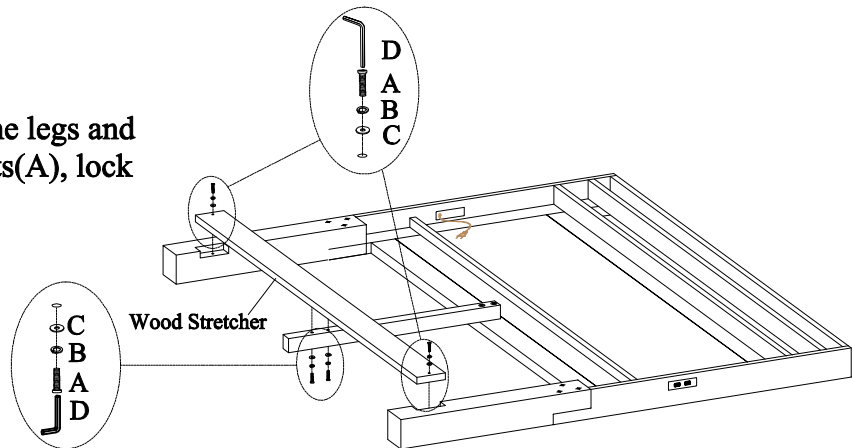
### IML / IAML Queen Panel Bed

**STEP 1:** Lay the headboard face down on a soft surface. Attach the left leg and right leg to headboard by using 6 bolts(A), lock washers(B) and flat washers(C).

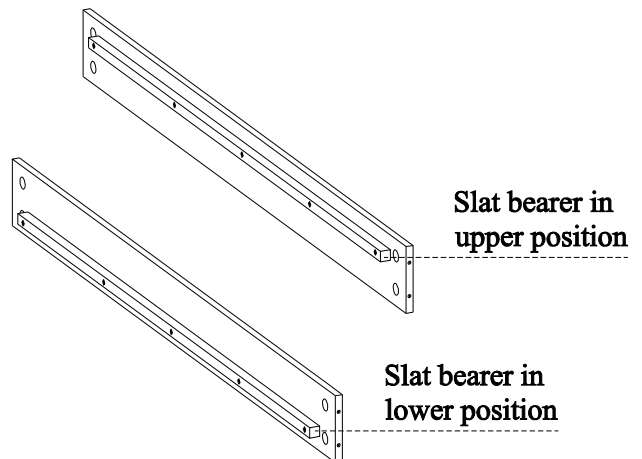


**STEP 2:** Attach the center support leg to headboard by using 2 bolts(A), lock washers(B) and flat washers(C).

**STEP 3:** Attach the stretcher to the legs and center support leg by using 4 bolts(A), lock washers(B) and flat washers(C).

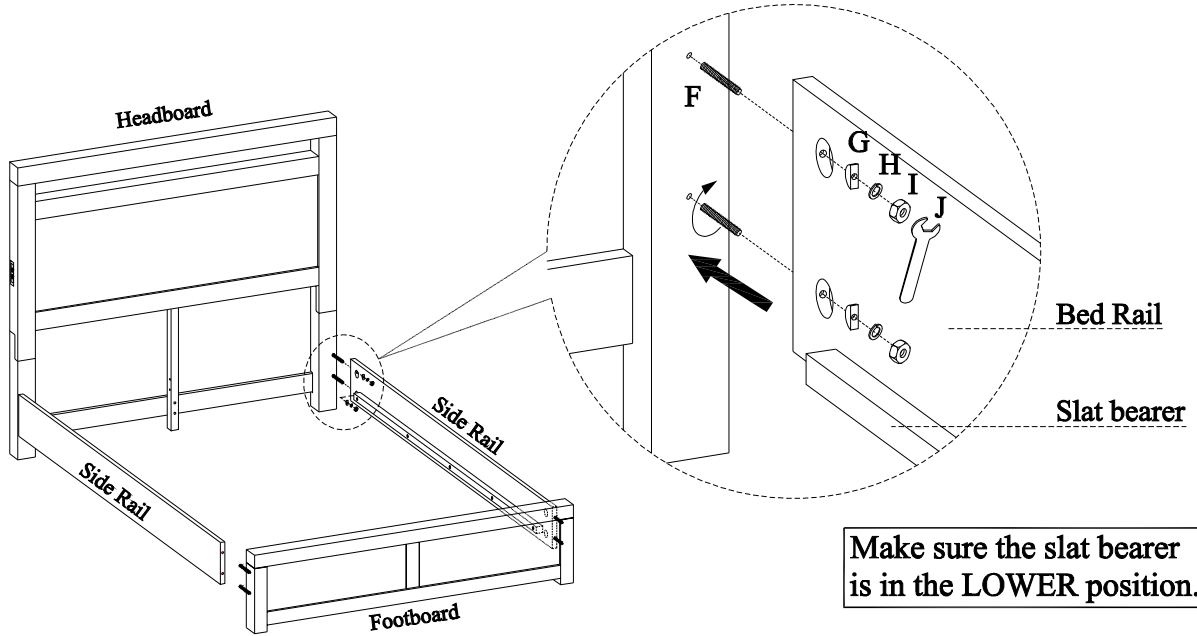


**STEP 4:** The side rails may be used on either side. Arrange the side rails so the slat bearers are in LOWER POSITION prior to attachment in STEP 5.



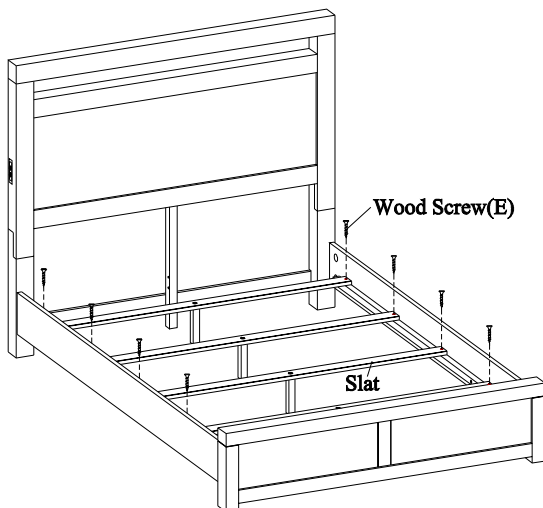
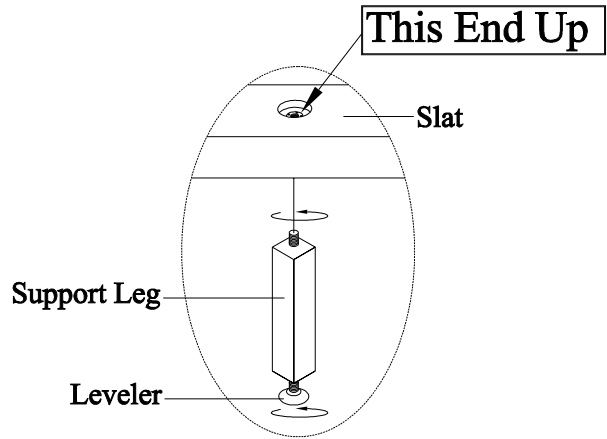


ITEM NO: IML-412-GRY/BRN Queen Panel HB  
 IML-402-GRY/BRN Queen Rails  
 IML-403-GRY/BRN Queen Low Profile FB  
 IAML-412-GRY/BRN Queen Panel HB



**STEP 5:** Screw the bolts(F) into HB & FB. Align the bolts with the holes in the end of side rails and attach the side rails to HB & FB using half moon washers(G),lock washers(H) and nuts (I).Then use a hex wrench to tighten all the nuts.

**STEP 6:** Attach the support legs with leveler to the slats. Adjust the levelers on bottom of support legs when necessary.

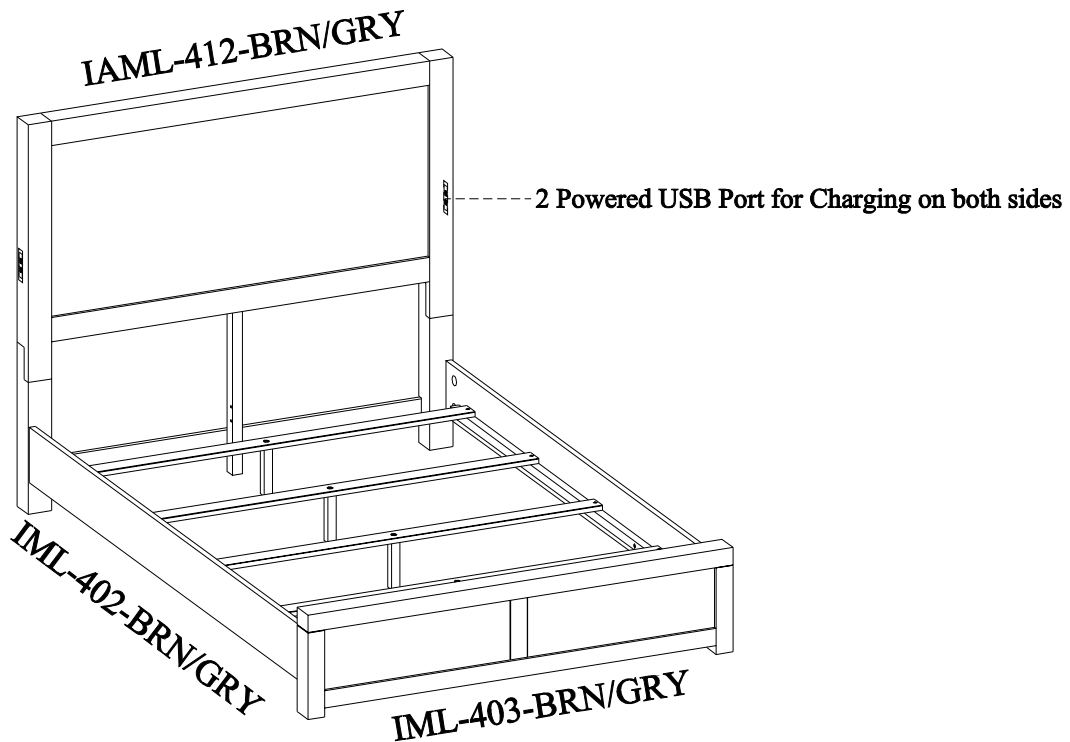
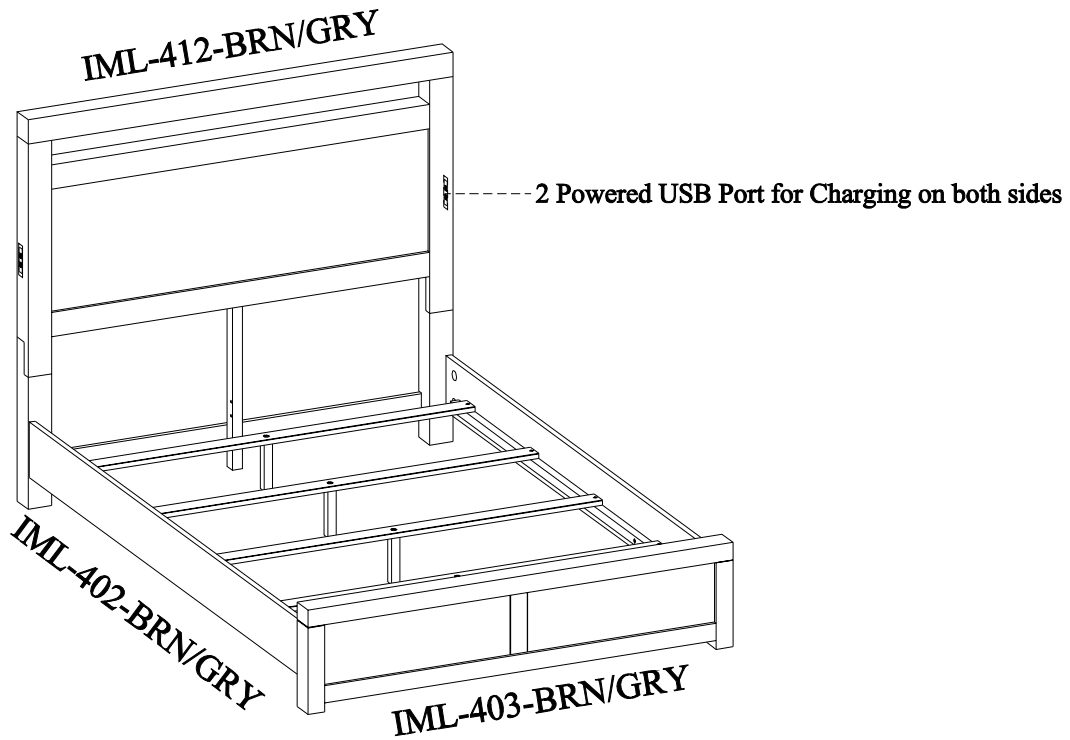


**STEP 7:** Arrange the slats on the slat bearers equally and attach to the slat bearers with wood screws (E).



ITEM NO: IML-412-GRY/BRN Queen Panel HB  
IML-402-GRY/BRN Queen Rails  
IML-403-GRY/BRN Queen Low Profile FB  
IAML-412-GRY/BRN Queen Panel HB

### FUNCTIONALITY INSTRUCTION





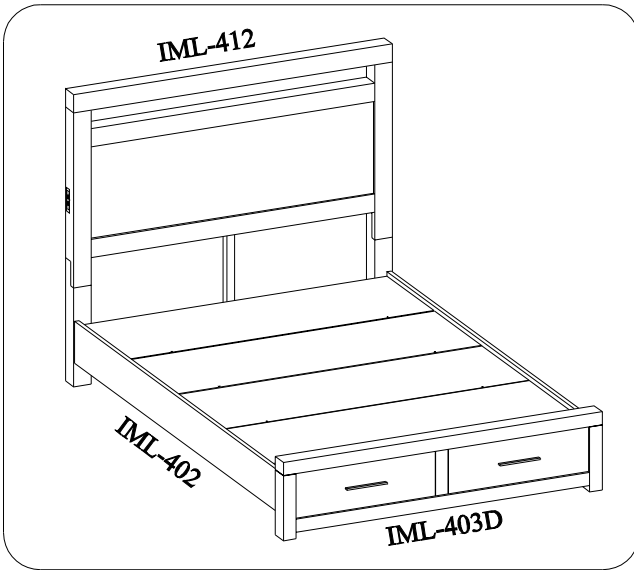
ITEM NO: IML-412-GRY/BRN    Queen Panel HB  
 IML-402-GRY/BRN        Queen Rails  
 IML-403D-GRY/BRN    Queen Storage FB  
 IAML-412-GRY/BRN    Queen Panel HB

Thank you for purchasing this quality product. Be sure to check all packing material carefully for small parts that may come loose inside the carton during shipment.



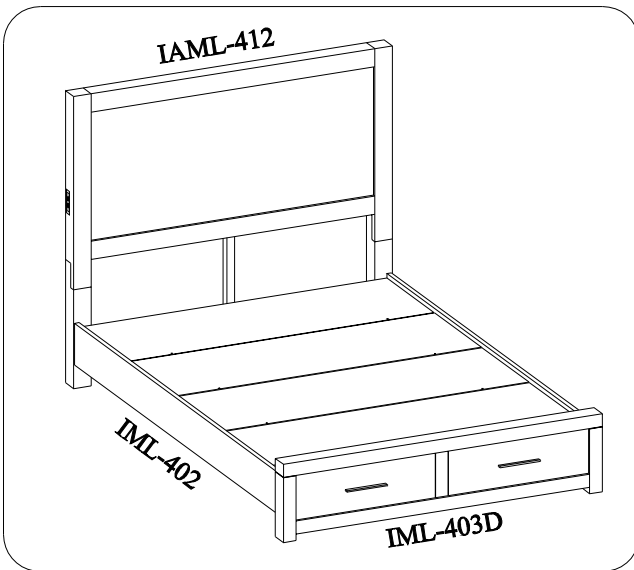
**UNIT SHOULD BE INSTALLED BY 2 OR MORE PERSONS.**

### IML Queen Storage Panel Bed



All Beds need to be set up in the exact final location so that after full assembly it will not need to be moved. Moving the bed will cause the support legs to move out of perpendicular (90 degree), weaken the support system, and may allow the bed to collapse.

### IAML Queen Storage Panel Bed



**BEFORE USING THIS PRODUCT PLEASE READ, UNDERSTAND, AND FOLLOW THESE INSTRUCTIONS.**  
 Save these instructions for future reference.

FOR INDOOR USE ONLY



ITEM NO: IML-412-GRY/BRN Queen Panel HB  
 IML-402-GRY/BRN Queen Rails  
 IML-403D-GRY/BRN Queen Storage FB  
 IAML-412-GRY/BRN Queen Panel HB

TOOLS REQUIRED (NOT PROVIDED)
PHILLIPS SCREWDRIVER

HARDWARE LIST: IML-412 / IAML-412			
No.	Description	Sketch	Quantity
A	Bolt $\varnothing 5/16" \times 2"$		12 PCS
B	Lock Washer $\varnothing 5/16"$		12 PCS
C	Flat Washer $\varnothing 5/16" \times 3/4"$		12 PCS
D	Allen Wrench $5/16"$		1 PC

HARDWARE LIST: IML-402			
No.	Description	Sketch	Quantity
E	Wood Screw $M4 \times 1-1/4"$		8 PCS
F	Bolt $\varnothing 5/16" \times 3-1/2"$		8 PCS
G	Half Moon Washer $\varnothing 5/16"$		8 PCS
H	Lock Washer $\varnothing 5/16"$		8 PCS
I	Hex Nut $\varnothing 5/16" \times 1/2"$		8 PCS
J	Hex Wrench $\varnothing 5/16"$		1 PC

HARDWARE LIST: IML-403D			
No.	Description	Sketch	Quantity
K	Bolt $\varnothing 1/4" \times 1-1/4"$		14 PCS
L	Lock Washer $\varnothing 1/4"$		14 PCS
M	Flat Washer $\varnothing 1/4" \times 5/8"$		14 PCS
N	Wood Screw $M4 \times 1"$		8 PCS
O	Allen Wrench $4mm$		1 PC

COMPONENTS LIST: IML-412			
No.	Description	Sketch	Quantity
1	Headboard		1 PC
2	Left Leg		1 PC
3	Right Leg		1 PC
4	Wood Stretcher		1 PC
5	Center Support Leg		1 PC

COMPONENTS LIST: IAML-412			
No.	Description	Sketch	Quantity
1	Headboard		1 PC
2	Left Leg		1 PC
3	Right Leg		1 PC
4	Wood Stretcher		1 PC
5	Center Support Leg		1 PC

COMPONENTS LIST: IML-402			
No.	Description	Sketch	Quantity
1	Bed rails		2 PCS
2	Slats		4 PCS

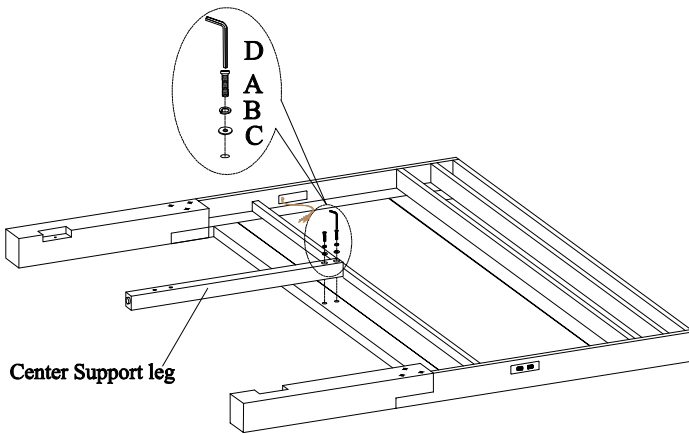
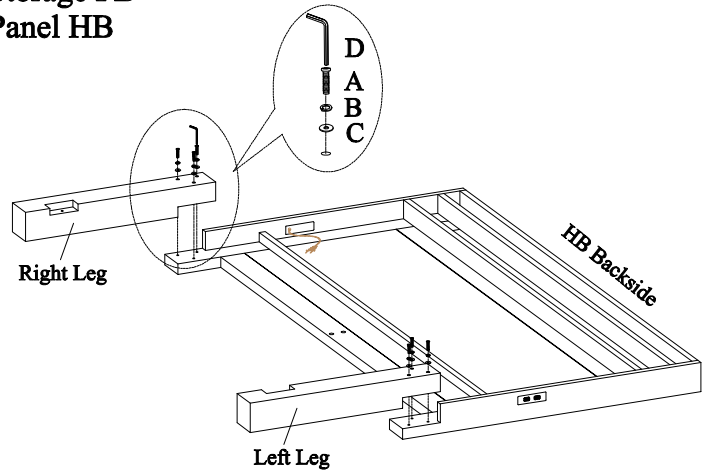
COMPONENTS LIST: IML-403D			
No.	Description	Sketch	Quantity
1	Footboard		1 PC
2	Support Leg (for center rail)		2 PCS
3	Support leg (for pedestal)		3 PCS
4	Decking		4 PCS
5	Center rail		1 PC



ITEM NO: IML-412-GRY/BRN Queen Panel HB  
 IML-402-GRY/BRN Queen Rails  
 IML-403D-GRY/BRN Queen Storage FB  
 IAML-412-GRY/BRN Queen Panel HB

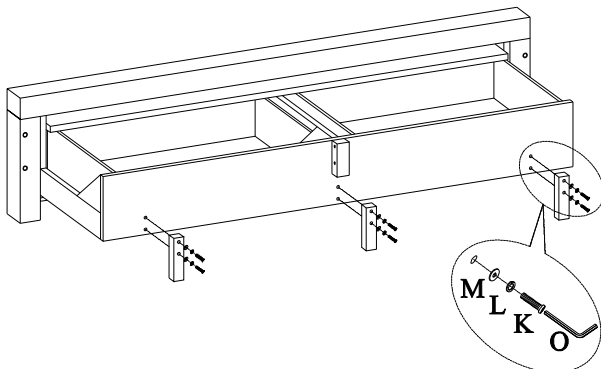
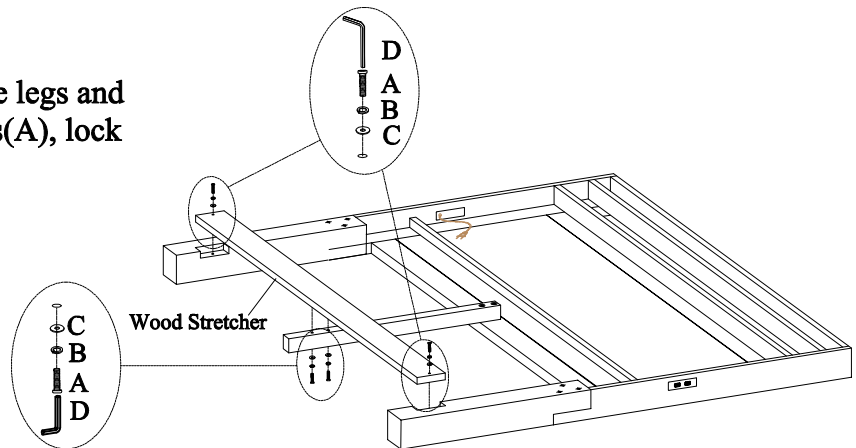
### IML / IAML Queen Storage Panel Bed

**STEP 1:** Lay the headboard face down on a soft surface. Attach the left leg and right leg to headboard by using 6 bolts(A), lock washers(B) and flat washers(C).



**STEP 2:** Attach the center support leg to headboard by using 2 bolts(A), lock washers(B) and flat washers(C).

**STEP 3:** Attach the stretcher to the legs and center support leg by using 4 bolts(A), lock washers(B) and flat washers(C).



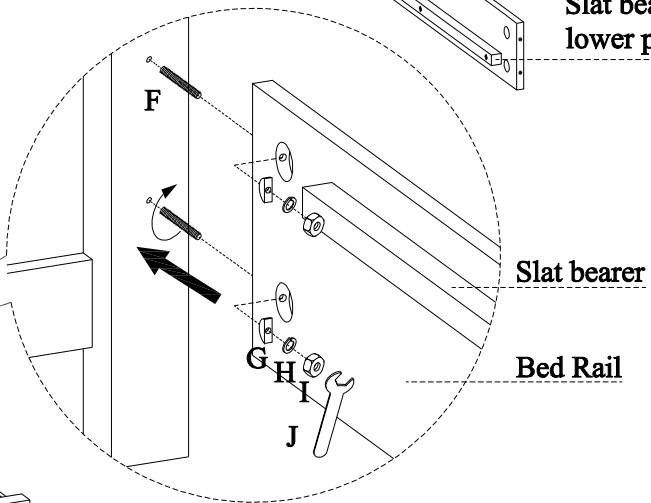
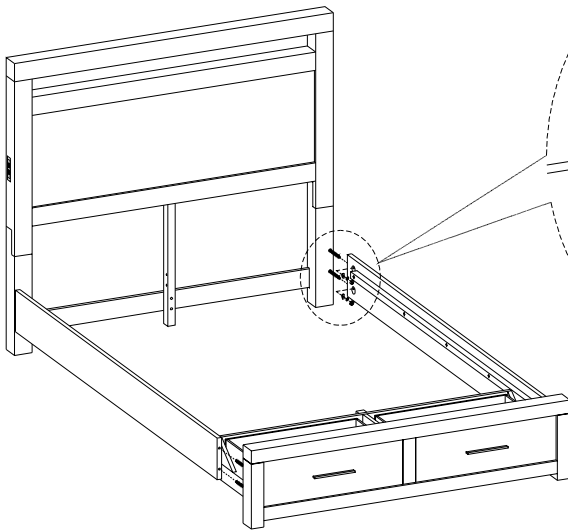
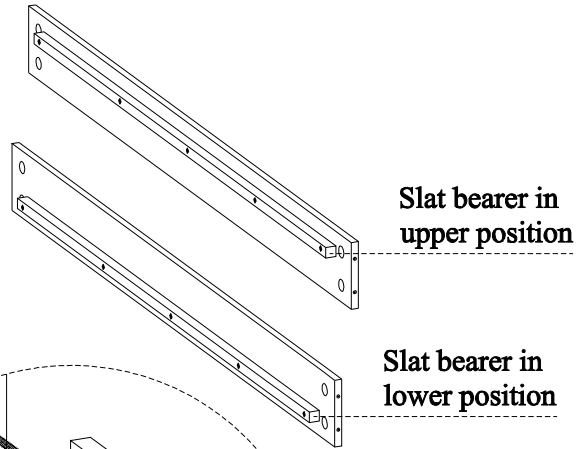
**STEP 4:** Attach support legs (for pedestal) to footboard.





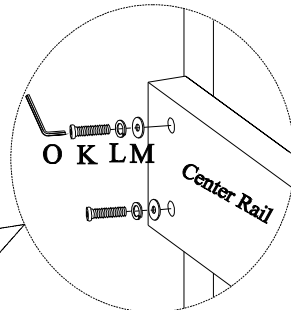
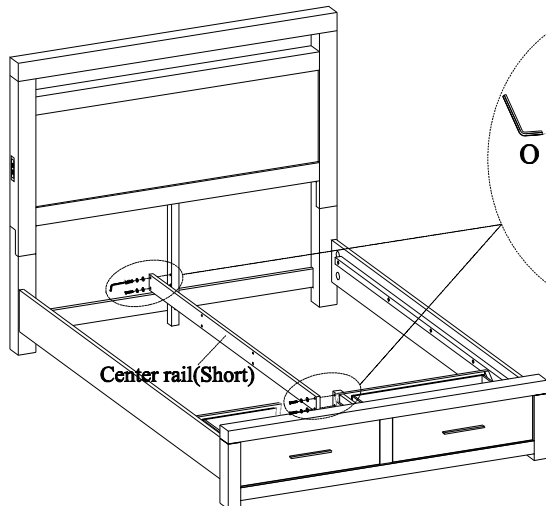
ITEM NO: IML-412-GRY/BRN Queen Panel HB  
 IML-402-GRY/BRN Queen Rails  
 IML-403D-GRY/BRN Queen Storage FB  
 IAML-412-GRY/BRN Queen Panel HB

**STEP 5:** The side rails may be used on either side. Arrange the side rails so the slat bearers are in **UPPER POSITION** prior to attachment in **STEP 6**.



**Make sure the slat bearer is in the UPPER position.**

**STEP 6:** Screw the bolts(F) into HB & FB. Align the bolts with the holes in the end of side rails and attach the side rails to HB & FB using half moon washers(G), lock washers(H) and nuts (I). Then use a hex wrench to tighten all the nuts.

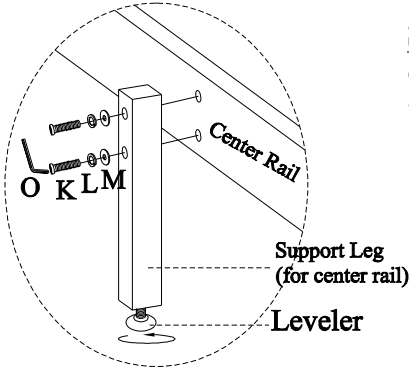


**STEP 7:** Attach center rail to the footboard, and center support leg of headboard using 4 bolts( K), lock washers(L) and flat washers(M).



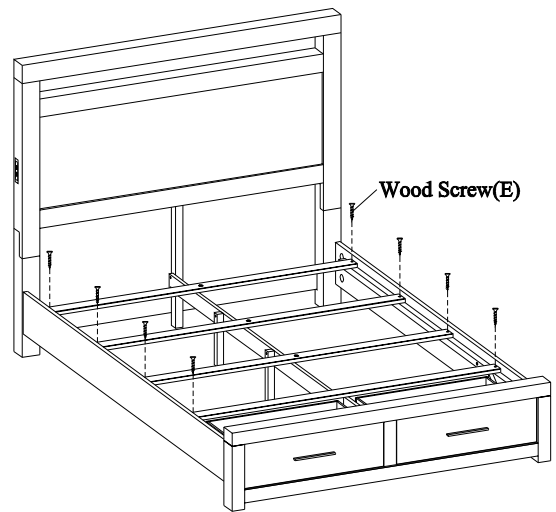
Distributed by Furniture Values International, LLC

ITEM NO: IML-412-GRY/BRN    Queen Panel HB  
 IML-402-GRY/BRN        Queen Rails  
 IML-403D-GRY/BRN      Queen Storage FB  
 IAML-412-GRY/BRN      Queen Panel HB

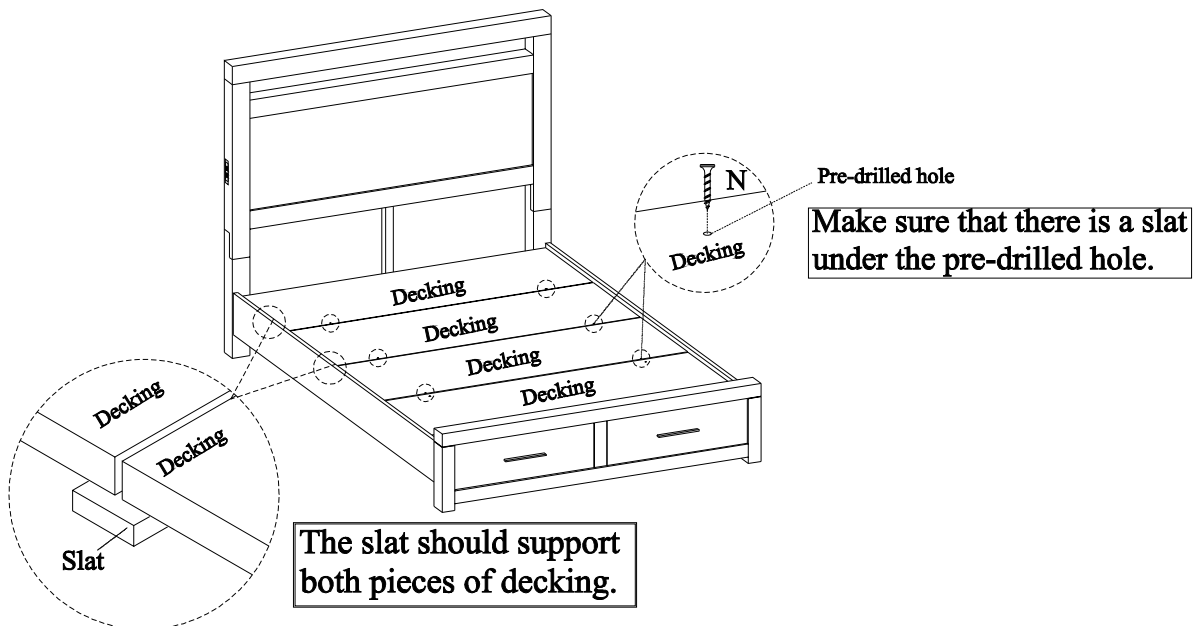


**STEP 8:** Attach 2 support legs (for center rail) to the center rail using 4 bolts (K), lock washers(L) and flat washers(M). Use an Allen Wrench to tighten all the bolts.

**STEP 9:** Arrange slats on the slat bearers and then lay decking on top of the slats. Make sure the slats are positioned along the seams of the decking as shown in the detail in STEP 10 under the pre-drilled hole. Remove the decking and attach slats to the slat bearers with wood screws (E).



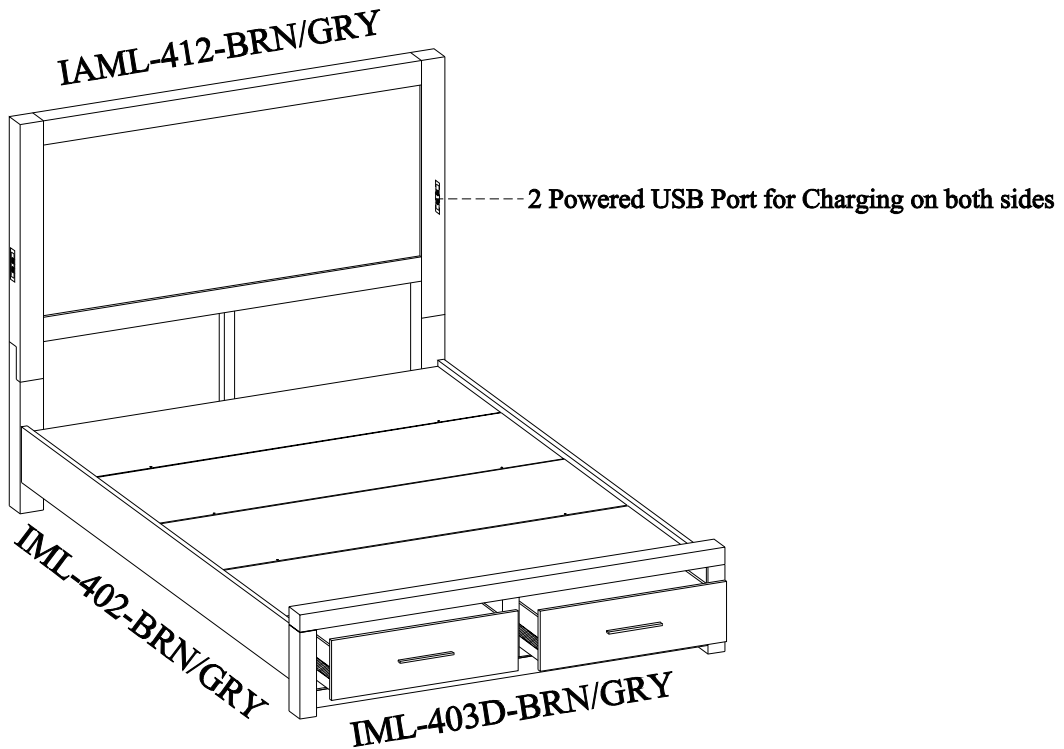
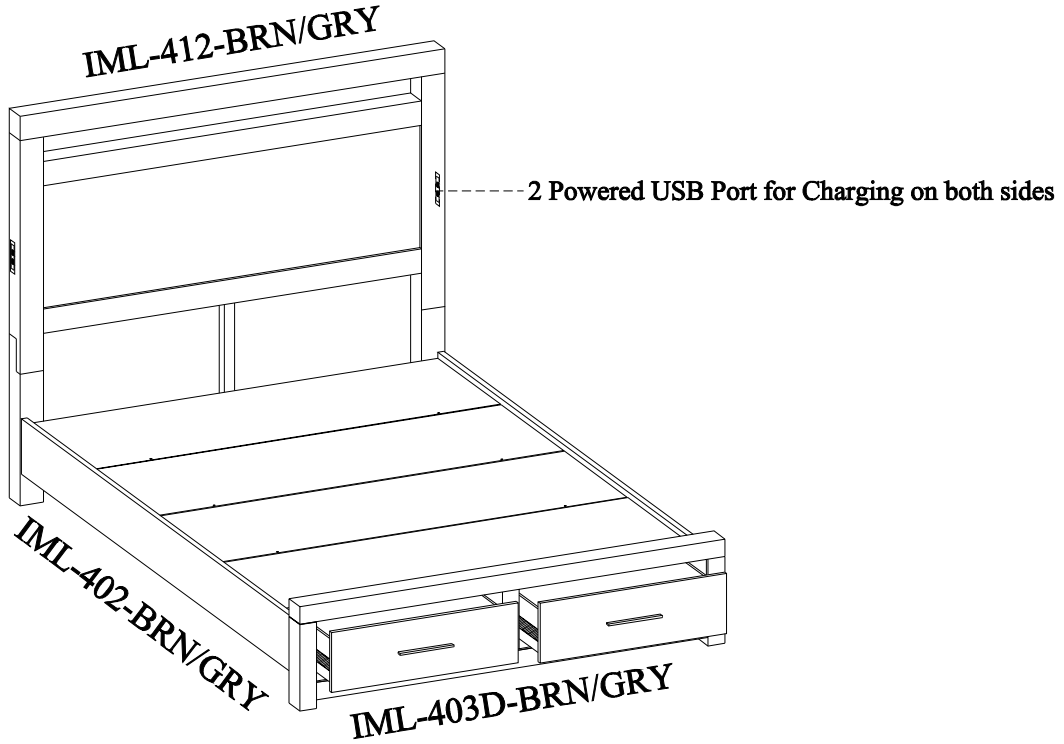
**STEP 10:** Put the decking over the slats, secure decking to the slats with wood screws (N) through the pre-drilled holes in the decking as shown below.





ITEM NO: IML-412-GRY/BRN    Queen Panel HB  
IML-402-GRY/BRN    Queen Rails  
IML-403D-GRY/BRN    Queen Storage FB  
IAML-412-GRY/BRN    Queen Panel HB

### FUNCTIONALITY INSTRUCTION





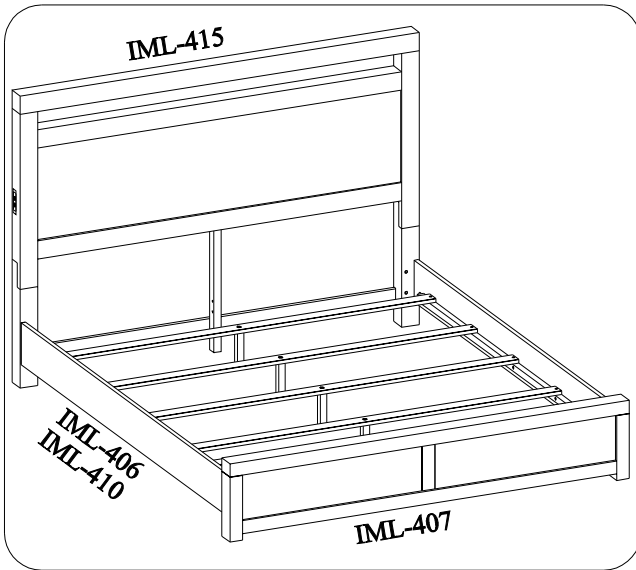
- ITEM NO: IML-415-GRY/BRN King Panel HB
- IML-406-GRY/BRN King Rails
- IML-407-GRY/BRN King Low Profile FB
- IML-410-GRY/BRN Cal King Rails
- IAML-415-GRY/BRN King Panel HB

Thank you for purchasing this quality product. Be sure to check all packing material carefully for small parts that may come loose inside the carton during shipment.



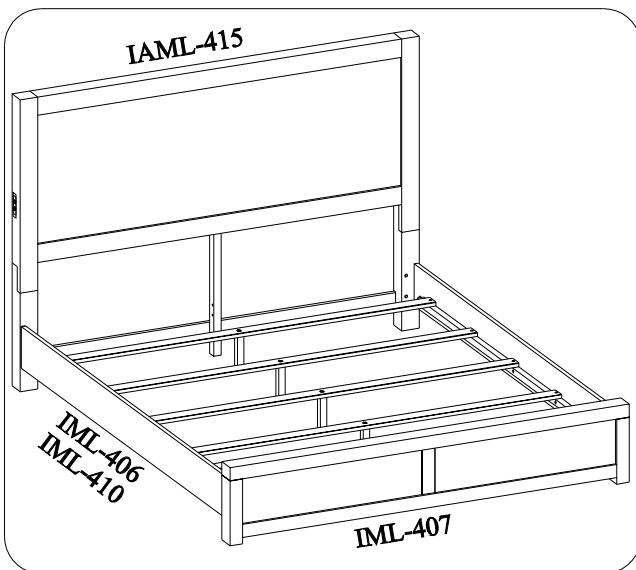
**UNIT SHOULD BE INSTALLED BY 2 OR MORE PERSONS.**

### IML King/Cal King Panel Bed



All Beds need to be set up in the exact final location so that after full assembly it will not need to be moved. Moving the bed will cause the support legs to move out of perpendicular (90 degree), weaken the support system, and may allow the bed to collapse.

### IAML King/Cal King Panel Bed







**BEFORE USING THIS PRODUCT PLEASE READ, UNDERSTAND, AND FOLLOW THESE INSTRUCTIONS.**  
Save these instructions for future reference.

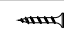


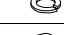
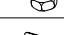

**FOR INDOOR USE ONLY**




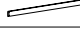






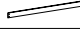

ITEM NO: IML-415-GRY/BRN King Panel HB  
 IML-406-GRY/BRN King Rails  
 IML-407-GRY/BRN King Low Profile FB  
 IML-410-GRY/BRN Cal King Rails  
 IAML-415-GRY/BRN King Panel HB



TOOLS REQUIRED (NOT PROVIDED)
PHILLIPS SCREWDRIVER




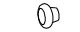
HARDWARE LIST: IML-415 / IAML-415			
No.	Description	Sketch	Quantity
A	Bolt $\phi 5/16" \times 2"$		12 PCS
B	Lock Washer $\phi 5/16"$		12 PCS
C	Flat Washer $\phi 5/16" \times 3/4"$		12 PCS
D	Allen Wrench $5/16"$		1 PC


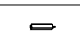
HARDWARE LIST: IML-406/410			
No.	Description	Sketch	Quantity
E	Wood Screw $M4 \times 1-1/4"$		10 PCS
F	Bolt $\phi 5/16" \times 3-1/2"$		8 PCS
G	Half Moon Washer $\phi 5/16"$		8 PCS
H	Lock Washer $\phi 5/16"$		8 PCS
I	Hex Nut $\phi 5/16" \times 1/2"$		8 PCS
J	Hex Wrench $\phi 5/16"$		1 PC

COMPONENTS LIST: IML-415			
No.	Description	Sketch	Quantity
1	Headboard		1 PC
2	Left Leg		1 PC
3	Right Leg		1 PC
4	Wood Stretcher		1 PC
5	Center Support Leg		1 PC

COMPONENTS LIST: IAML-415			
No.	Description	Sketch	Quantity
1	Headboard		1 PC
2	Left Leg		1 PC
3	Right Leg		1 PC
4	Wood Stretcher		1 PC
5	Center Support Leg		1 PC

COMPONENTS LIST: IML-406			
No.	Description	Sketch	Quantity
1	Bed rails		2 PCS
2	Slats		5 PCS

COMPONENTS LIST: IML-410			
No.	Description	Sketch	Quantity
1	Bed rails		2 PCS
2	Slats		5 PCS
3	Center rail (Long)		1 PC
4	Wood Cap		8 PCS

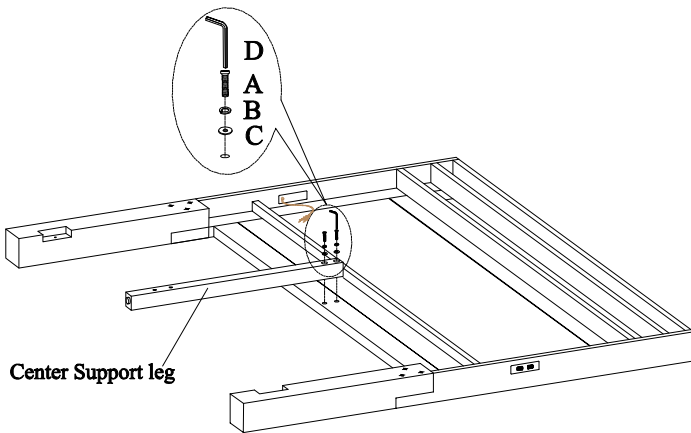
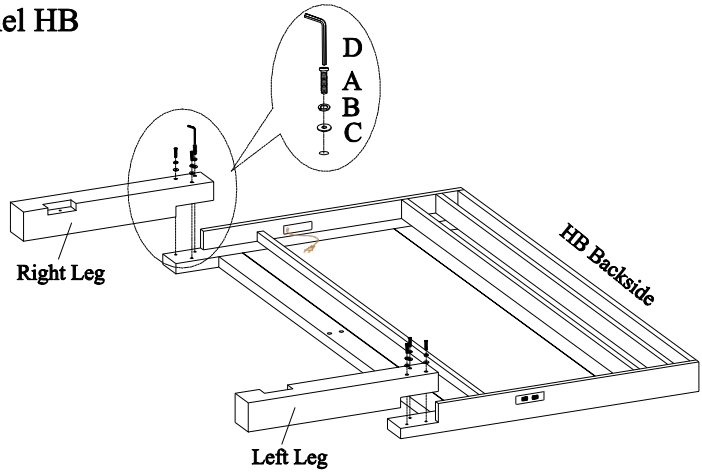
COMPONENTS LIST: IML-407			
No.	Description	Sketch	Quantity
1	Footboard		1 PC
2	Support Leg (for slats)		5 PCS



ITEM NO: IML-415-GRY/BRN King Panel HB  
 IML-406-GRY/BRN King Rails  
 IML-407-GRY/BRN King Low Profile FB  
 IML-410-GRY/BRN Cal King Rails  
 IAML-415-GRY/BRN King Panel HB

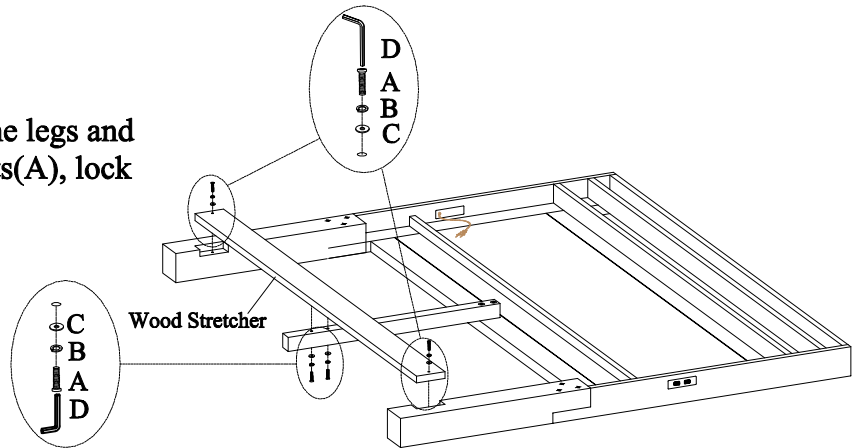
### IML / IAML King/Cal King Panel Bed

**STEP 1:** Lay the headboard face down on a soft surface. Attach the left leg and right leg to headboard by using 6 bolts(A), lock washers(B) and flat washers(C).

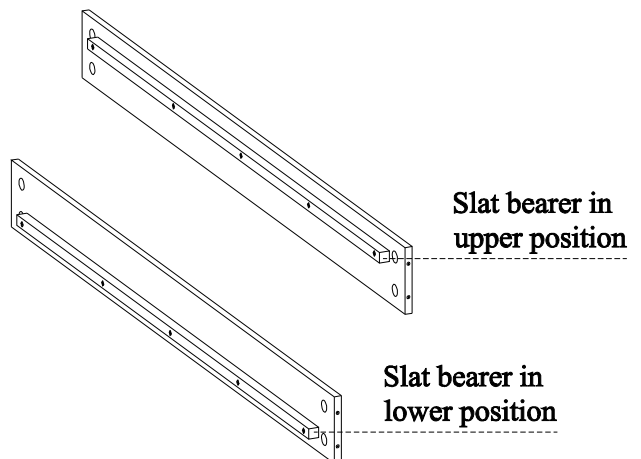


**STEP 2:** Attach the center support leg to headboard by using 2 bolts(A), lock washers(B) and flat washers(C).

**STEP 3:** Attach the stretcher to the legs and center support leg by using 4 bolts(A), lock washers(B) and flat washers(C).

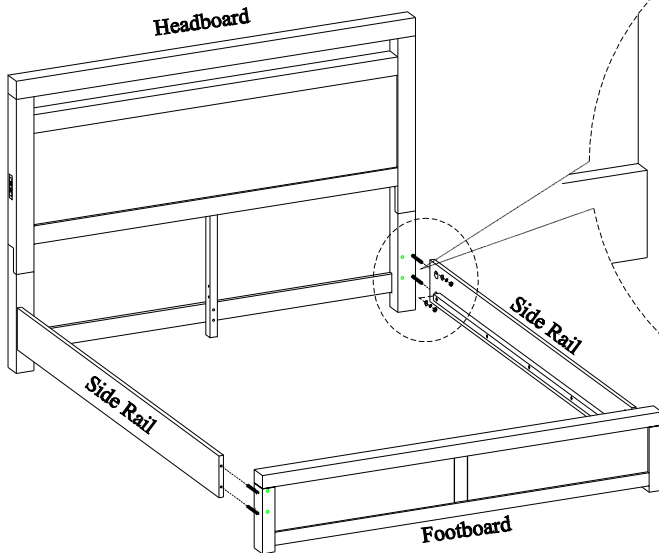


**STEP 4:** The side rails may be used on either side. Arrange the side rails so the slat bearers are in LOWER POSITION prior to attachment in STEP 5.

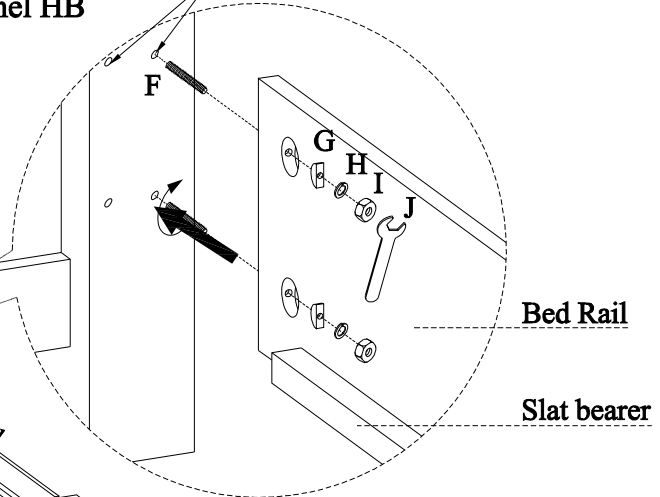




ITEM NO: IML-415-GRY/BRN King Panel HB  
 IML-406-GRY/BRN King Rails  
 IML-407-GRY/BRN King Low Profile FB  
 IML-410-GRY/BRN Cal King Rails  
 IAML-415-GRY/BRN King Panel HB



The outside holes match to 6/6 bed rails, the inside holes match to 6/0 bed rails.

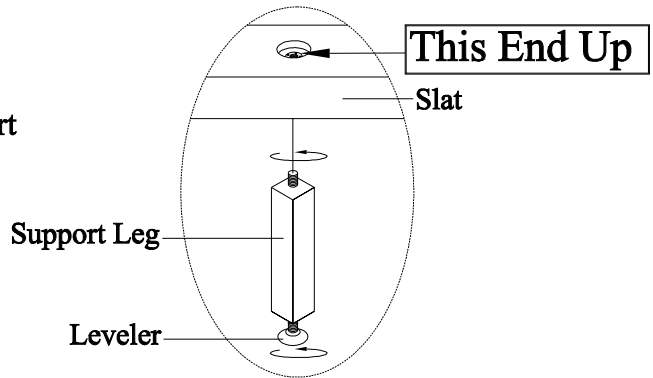
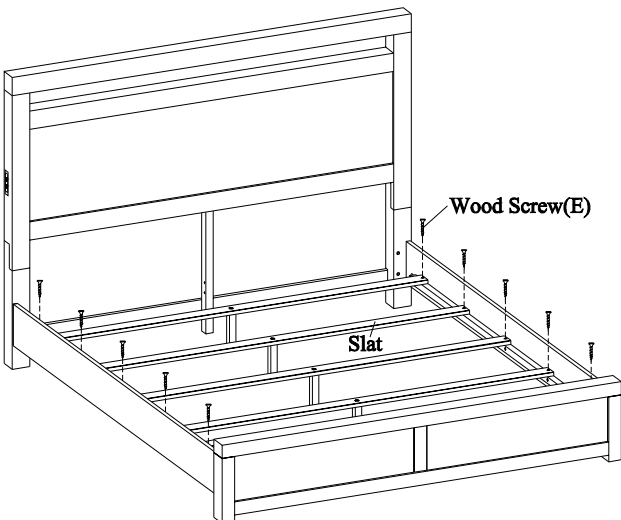


Make sure the slat bearer is in the LOWER position.

**STEP 5:** Screw the bolts(F) into HB & FB. Align the bolts with the holes in the end of side rails and attach the side rails to HB & FB using half moon washers(G), lock washers(H) and nuts (I). Then use a hex wrench to tighten all the nuts.

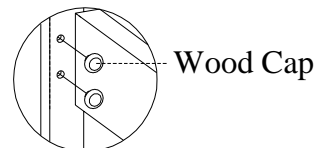
Note: The outside holes match to 6/6 bed rails, the inside holes match to 6/0 bed rails.

**STEP 6:** Attach the support legs with leveler to the slats. Adjust the levelers on bottom of support legs when necessary.



**STEP 7:** Arrange the slats on the slat bearers equally and attach to the slat bearers with wood screws (E).

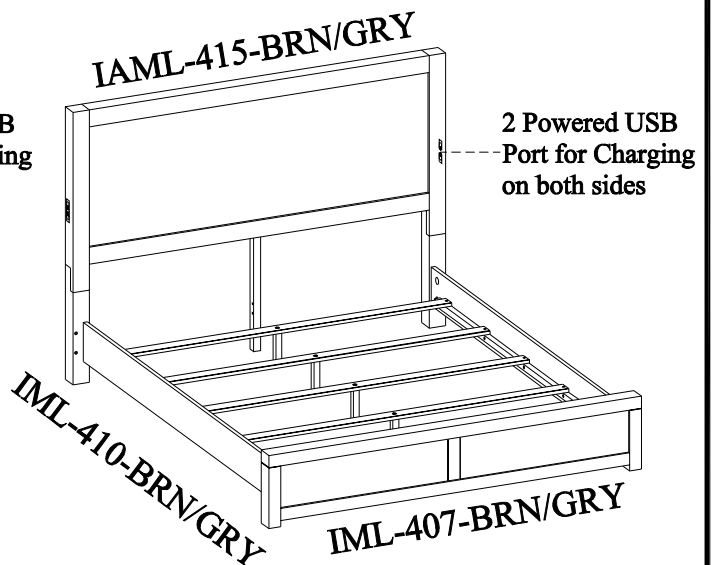
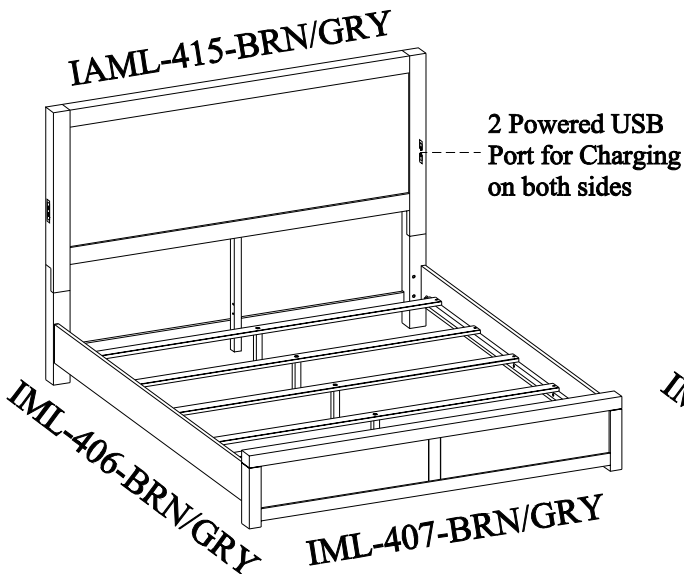
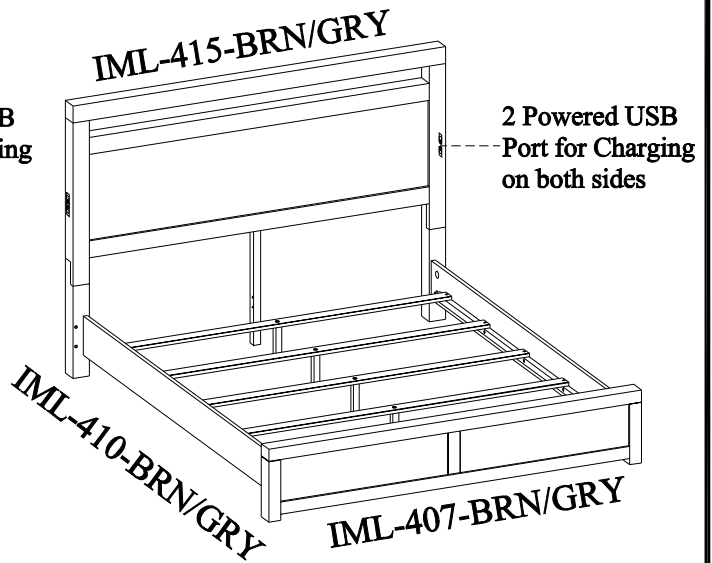
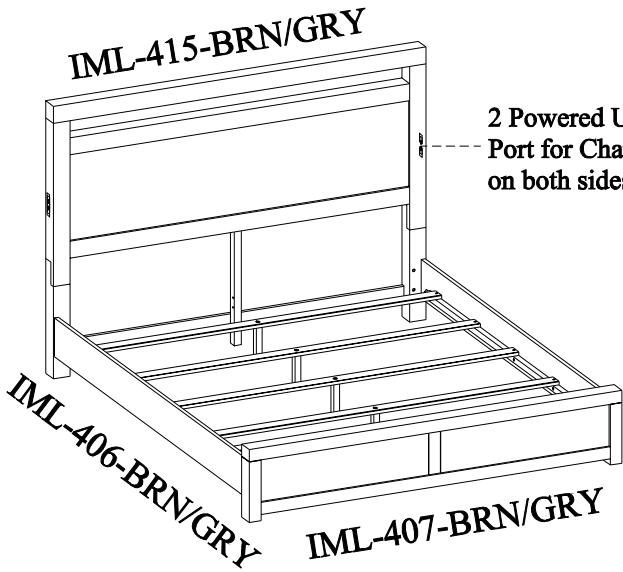
**STEP 8:** For Cal King bed, insert wood caps into the holes on headboard and footboard. For regular King bed, skip this step.





- ITEM NO: IML-415-GRY/BRN King Panel HB
- IML-406-GRY/BRN King Rails
- IML-407-GRY/BRN King Low Profile FB
- IML-410-GRY/BRN Cal King Rails
- IAML-415-GRY/BRN King Panel HB

### FUNCTIONALITY INSTRUCTION







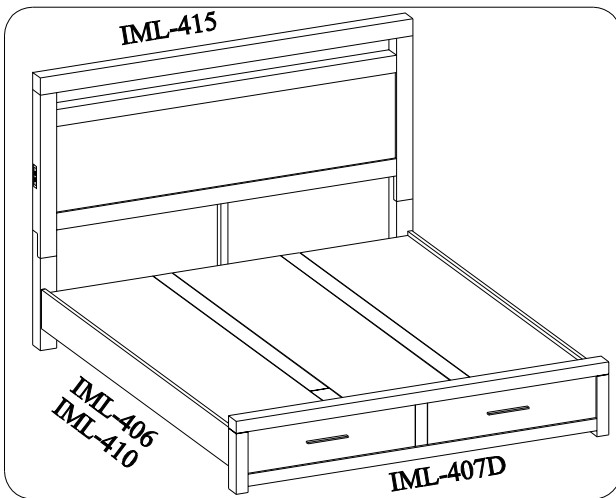
ITEM NO: IML-415-GRY/BRN King Panel HB  
 IML-406-GRY/BRN King Rails  
 IML-407D-GRY/BRN King Storage FB  
 IML-410-GRY/BRN Cal King Rails  
 IAML-415-GRY/BRN King Panel HB

Thank you for purchasing this quality product. Be sure to check all packing material carefully for small parts that may come loose inside the carton during shipment.



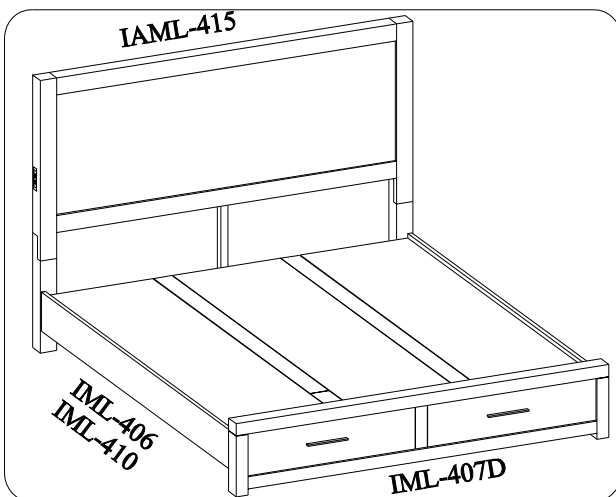
**UNIT SHOULD BE INSTALLED BY 2 OR MORE PERSONS.**

### IML King/Cal King Storage Panel Bed



All Beds need to be set up in the exact final location so that after full assembly it will not need to be moved. Moving the bed will cause the support legs to move out of perpendicular (90 degree), weaken the support system, and may allow the bed to collapse.

### IAML King/Cal King Storage Panel Bed







**BEFORE USING THIS PRODUCT PLEASE READ, UNDERSTAND, AND FOLLOW THESE INSTRUCTIONS.**  
 Save these instructions for future reference.

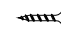
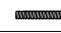
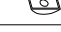

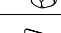

FOR INDOOR USE ONLY




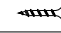






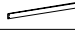

ITEM NO: IML-415-GRY/BRN King Panel HB  
 IML-406-GRY/BRN King Rails  
 IML-407D-GRY/BRN King Storage FB  
 IML-410-GRY/BRN Cal King Rails  
 IAML-415-GRY/BRN King Panel HB






TOOLS REQUIRED (NOT PROVIDED)
PHILLIPS SCREWDRIVER
UTILITY KNIFE (FOR CAL KING)


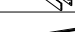
HARDWARE LIST: IML-415 / IAML-415			
No.	Description	Sketch	Quantity
A	Bolt $\phi 5/16$ "*2"		12 PCS
B	Lock Washer $\phi 5/16$ "		12 PCS
C	Flat Washer $\phi 5/16$ " *3/4"		12 PCS
D	Allen Wrench 5/16"		1 PC





HARDWARE LIST: IML-406/410			
No.	Description	Sketch	Quantity
E	Wood Screw M4*1-1/4"		10 PCS
F	Bolt $\phi 5/16$ "*3-1/2"		8 PCS
G	Half Moon Washer $\phi 5/16$ "		8 PCS
H	Lock Washer $\phi 5/16$ "		8 PCS
I	Hex Nut $\phi 5/16$ "*1/2"		8 PCS
J	Hex Wrench $\phi 5/16$ "		1 PC


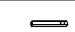

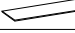
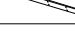

HARDWARE LIST: IML-407D			
No.	Description	Sketch	Quantity
K	Bolt $\phi 1/4$ "*1-1/4"		14 PCS
L	Lock Washer $\phi 1/4$ "		14 PCS
M	Flat Washer $\phi 1/4$ " *5/8"		14 PCS
N	Wood Screw M4*1"		8 PCS
O	Allen Wrench 4mm		1 PC

COMPONENTS LIST: IML-415			
No.	Description	Sketch	Quantity
1	Headboard		1 PC
2	Left Leg		1 PC
3	Right Leg		1 PC
4	Wood Stretcher		1 PC
5	Center Support Leg		1 PC

COMPONENTS LIST: IAML-415			
No.	Description	Sketch	Quantity
1	Headboard		1 PC
2	Left Leg		1 PC
3	Right Leg		1 PC
4	Wood Stretcher		1 PC
5	Center Support Leg		1 PC

COMPONENTS LIST: IML-406			
No.	Description	Sketch	Quantity
1	Bed rails		2 PCS
2	Slats		5 PCS

COMPONENTS LIST: IML-410			
No.	Description	Sketch	Quantity
1	Bed rails		2 PCS
2	Slats		5 PCS
3	Center rail (Long)		1 PC
4	Wood Cap		8 PCS

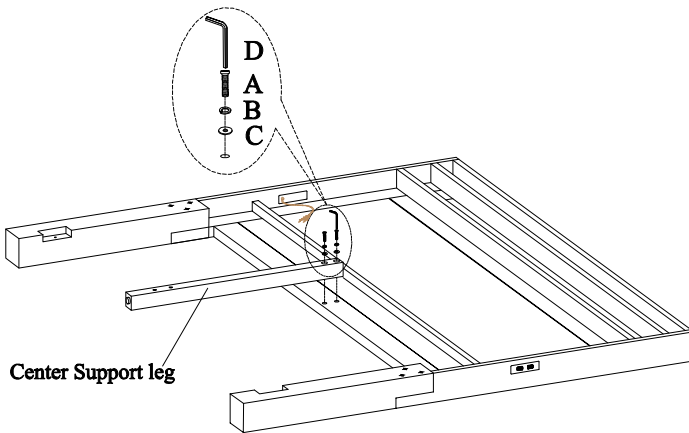
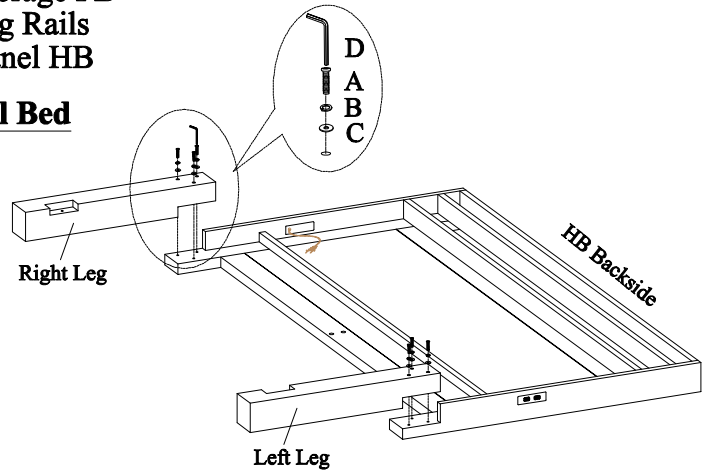
COMPONENTS LIST: IML-407D			
No.	Description	Sketch	Quantity
1	Footboard		1 PC
2	Support Leg (for center rail)		2 PCS
3	Support leg (for pedestal)		3 PCS
4	Decking		3 PCS
5	Center rail		1 PC
6	Filler		2 PCS



ITEM NO: IML-415-GRY/BRN King Panel HB  
 IML-406-GRY/BRN King Rails  
 IML-407D-GRY/BRN King Storage FB  
 IML-410-GRY/BRN Cal King Rails  
 IAML-415-GRY/BRN King Panel HB

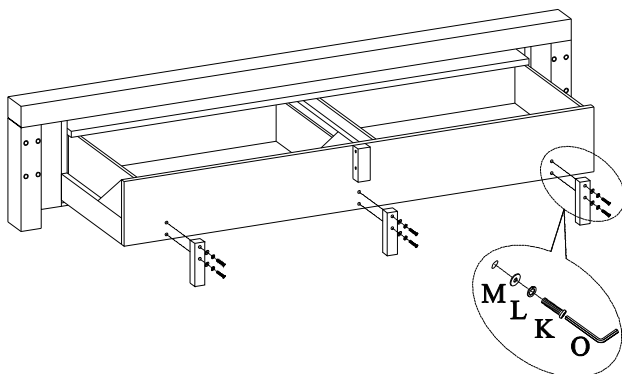
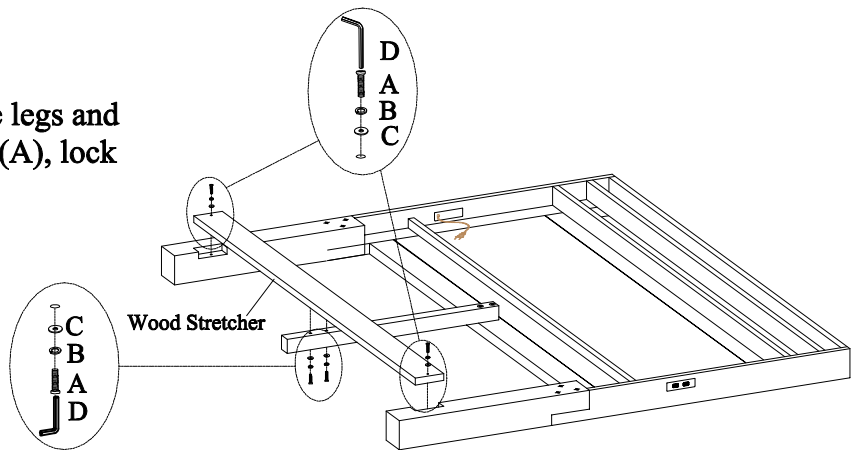
### IML / IAML King/Cal King Storage Panel Bed

**STEP 1:** Lay the headboard face down on a soft surface. Attach the left leg and right leg to headboard by using 6 bolts(A), lock washers(B) and flat washers(C).



**STEP 2:** Attach the center support leg to headboard by using 2 bolts(A), lock washers(B) and flat washers(C).

**STEP 3:** Attach the stretcher to the legs and center support leg by using 4 bolts(A), lock washers(B) and flat washers(C).

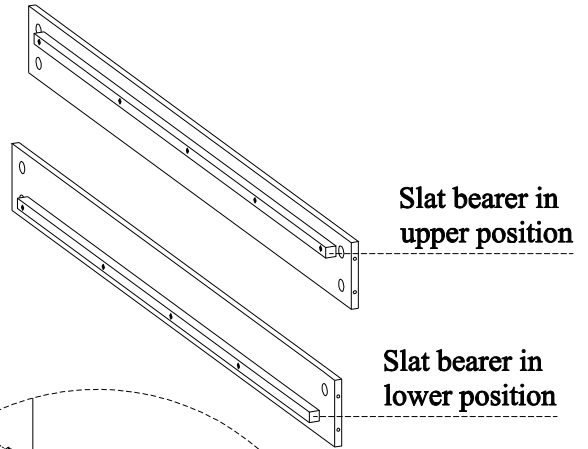


**STEP 4:** Attach support legs (for pedestal) to footboard.

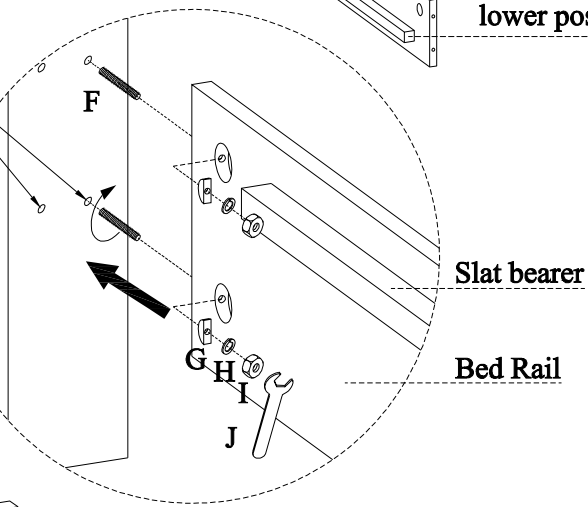
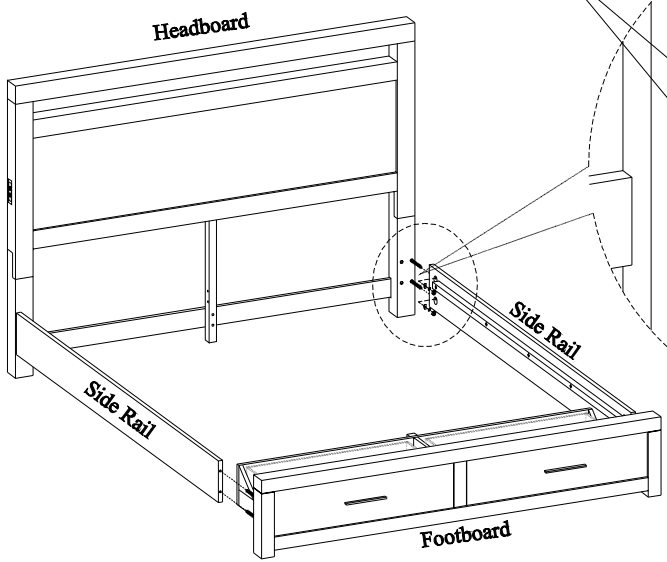


ITEM NO: IML-415-GRY/BRN King Panel HB  
 IML-406-GRY/BRN King Rails  
 IML-407D-GRY/BRN King Storage FB  
 IML-410-GRY/BRN Cal King Rails  
 IAML-415-GRY/BRN King Panel HB

**STEP 5:** The side rails may be used on either side. Arrange the side rails so the slat bearers are in **UPPER POSITION** prior to attachment in STEP 6.

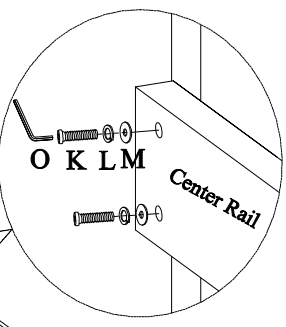
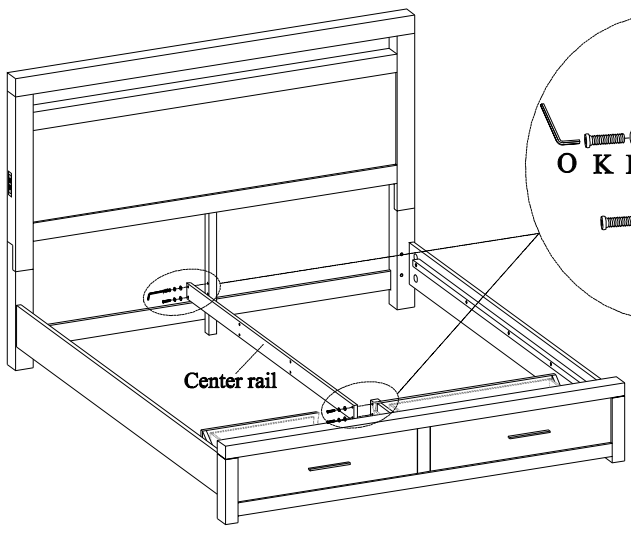


The outside holes match to 6/6 bed rails, the inside holes match to 6/0 bed rails.



Make sure the slat bearer is in the **UPPER** position.

**STEP 6:** Screw the bolts(F) into HB & FB. Align the bolts with the holes in the end of side rails and attach the side rails to HB & FB using half moon washers(G), lock washers(H) and nuts (I). Then use a hex wrench to tighten all the nuts.



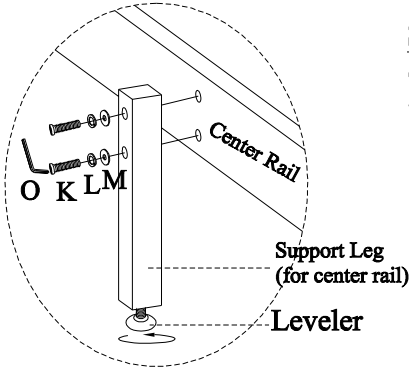
The short center rail that is packed in storage FB works with -406 King rails(6/6); The Long center rail that is packed in Cal King side rails works with -410 Cal King rails(6/0).

**STEP 7:** Attach center rail to the footboard, and center support leg of headboard using 4 bolts(K), lock washers(L) and flat washers(M).

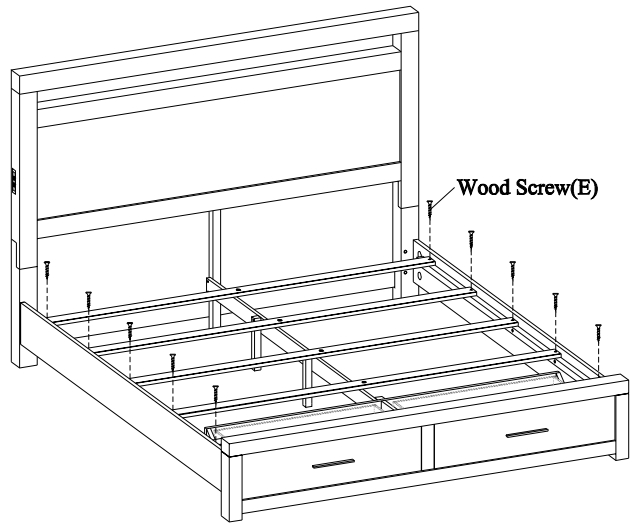


Distributed by Furniture Values International, LLC

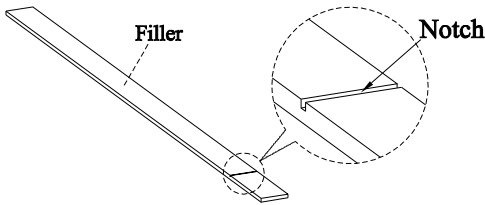
- ITEM NO: IML-415-GRY/BRN King Panel HB
- IML-406-GRY/BRN King Rails
- IML-407D-GRY/BRN King Storage FB
- IML-410-GRY/BRN Cal King Rails
- IAML-415-GRY/BRN King Panel HB



**STEP 8:** Attach 2 support legs (for center rail) to the center rail using 4 bolts (K), lock washers(L) and flat washers(M). Use an Allen Wrench to tighten all the bolts.

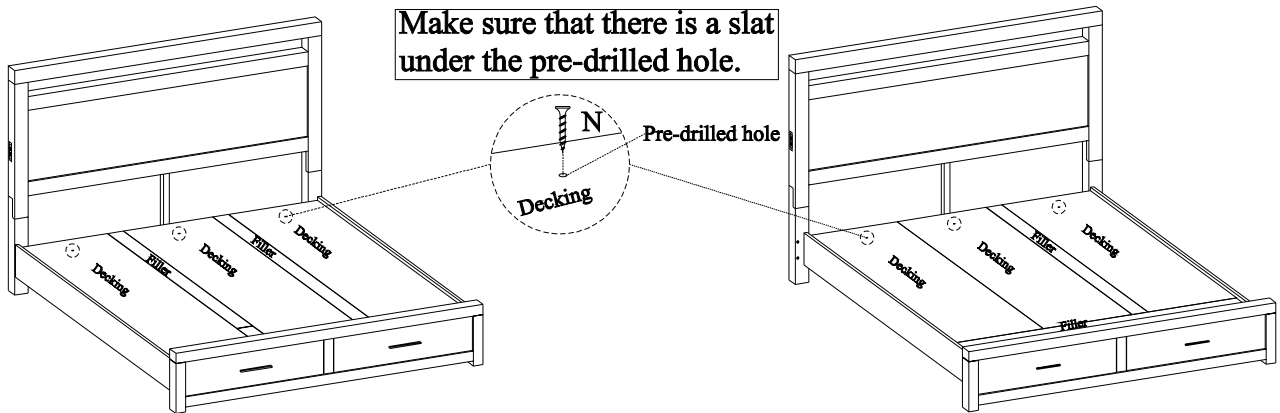


**STEP 9:** Arrange slats on the slat bearers and then lay the decking on top of the slats. Make sure the top and bottom slats are situated underneath the pre-drilled holes as shown below in STEP 11. Remove the decking and attach slats to the slat bearers with wood screws (E).

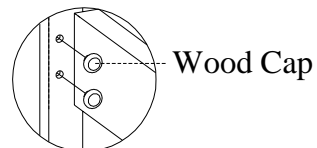


**STEP 10:** For Cal King bed, use a utility knife to cut off the small piece at the notch and discard. For regular King bed, skip this step.

**STEP 11:** Put the decking over the slats, secure decking to the slats with wood screws (N) through the pre-drilled holes in the decking as shown below.



**STEP 12:** For Cal King bed, insert wood caps into the holes on headboard and footboard. For regular King bed, skip this step.





ITEM NO: IML-415-GRY/BRN King Panel HB  
 IML-406-GRY/BRN King Rails  
 IML-407D-GRY/BRN King Storage FB  
 IML-410-GRY/BRN Cal King Rails  
 IAML-415-GRY/BRN King Panel HB

### FUNCTIONALITY INSTRUCTION

