

ITEM NO: I3048-450 Liv360 Nightstand

Thank you for purchasing this quality product. Be sure to check all packing material carefully for small parts that may come loose inside the carton during shipment.



UNIT SHOULD BE INSTALLED BY 2 OR MORE PERSONS.



TOOLS REQUIRED (NOT PROVIDED)

PHILLIPS SCREWDRIVER

HARDWARE LIST:

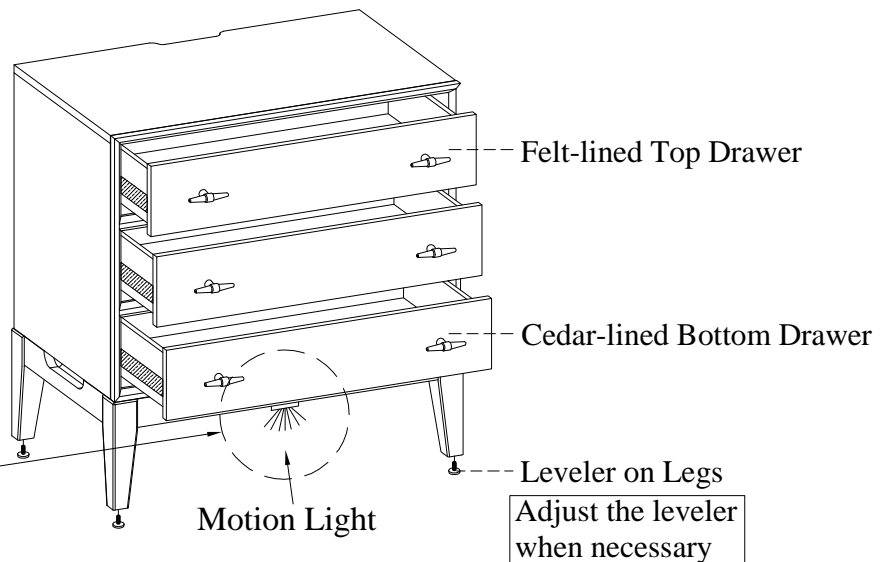
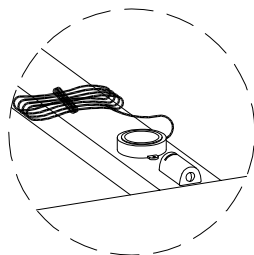
No.	Description	Sketch	Quantity
A	Hex Nut Ø5/16"		8 PCS
B	Lock Washer Ø5/16"		8 PCS
C	Flat Washer Ø5/16" x 3/4"		8 PCS
D	Hex Wrench 12mm		1 PC

COMPONENTS LIST:

No.	Description	Sketch	Quantity
1	Case		1 PC
2	Leg		4 PCS

FUNCTIONALITY INSTRUCTION

Remove the power cord from the bottom of the case. Remove the twist ties.



WARNING! Before using this product, please read, understand, and follow these instructions. Failure to follow each of these assembly instructions precisely may result in damage to the product and / or injury to the consumer.

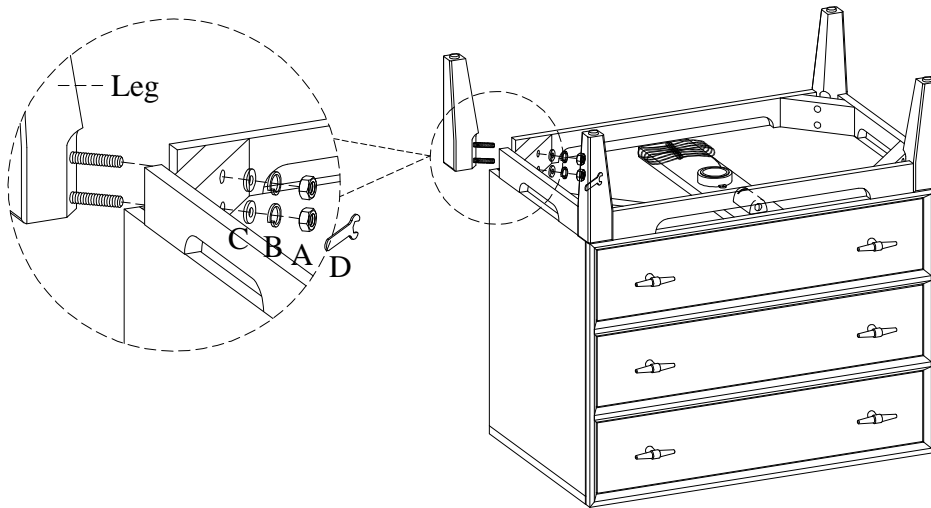
FOR INDOOR USE ONLY



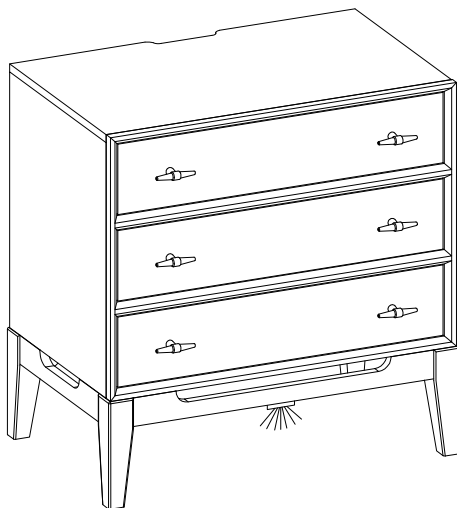
ITEM NO: I3048-450 Liv360 Nightstand

STEP 1: Put the case face down on a soft surface.

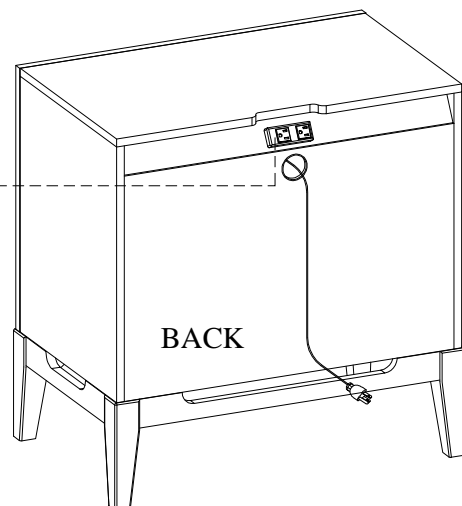
STEP 2: Attach the legs to the case by using 8 flat washers (C), lock washers (B) with hex nuts (A). Use the Hex wrench (D) provided to tighten all the bolts.



STEP 3: Return the case to the upright position.



2 AC outlet
Power Pack



PIR-11U05 - Motion Light

(1) Basic Product Specifications

1. Sensing Distance: 0.7~3m
2. LED Time Delay: 25 Seconds
3. Angle Coverage: 120°

(2) Slide switch ON/OFF user manual

1. Slide switch off (default) - Disable Ambient Light Detection
The PIR sensor stays activated continuously.



2. Slide switch on - Enable Ambient Light Detection
When ambient light is detected, the PIR sensor does not activate.

