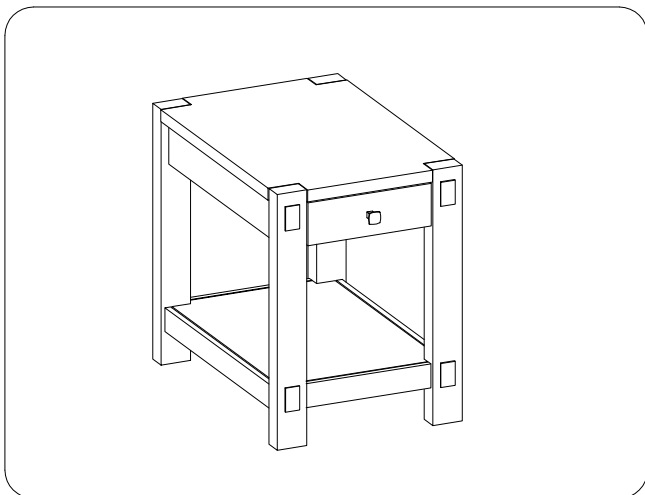




ITEM NO: I3093-9130-SDL Chairside Table

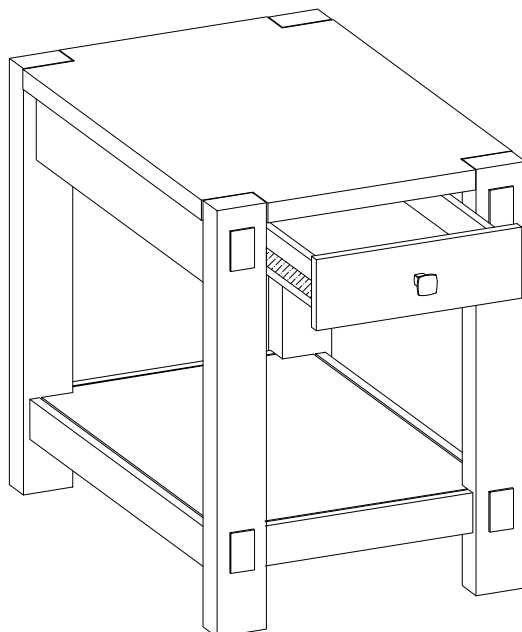
Thank you for purchasing this quality product. Be sure to check all packing material carefully for small parts that may come loose inside the carton during shipment.



TOOLS REQUIRED (NOT PROVIDED)
-------------------------------

PHILLIPS SCREWDRIVER
----------------------

### FUNCTIONALITY INSTRUCTION



**WARNING!** Before using this product, please read, understand, and follow these instructions. Failure to follow each of these assembly instructions precisely may result in damage to the product and / or injury to the consumer.

FOR INDOOR USE ONLY