



ITEM NO: I629-451-DEN/PRW 1 Drawer Nightstand

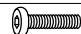


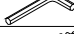

Thank you for purchasing this quality product. Be sure to check all packing material carefully for small parts that may come loose inside the carton during shipment.








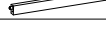
TOOLS REQUIRED (NOT PROVIDED)

PHILLIPS SCREWDRIVER 

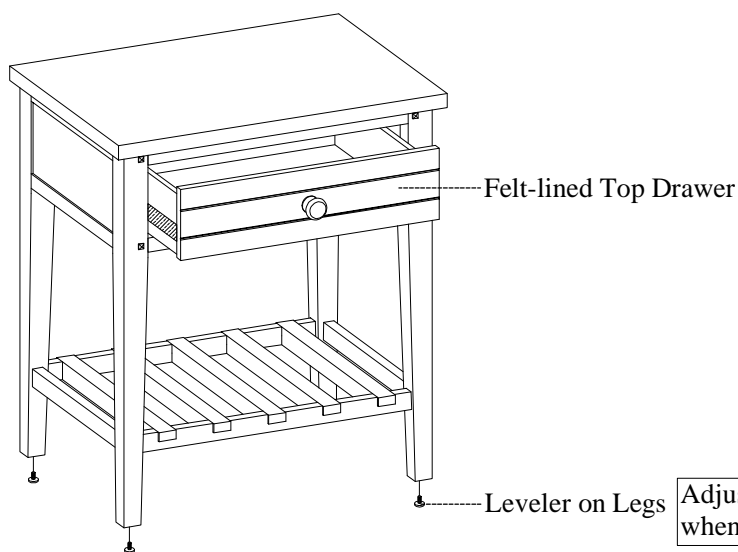
HARDWARE LIST:

No.	Description	Sketch	Quantity
A	Bolt Ø1/4" x 2" (20)		8 PCS
B	Lock Washer Ø1/4"		8 PCS
C	Flat Washer Ø1/4" x 3/4"		8 PCS
D	Allen Wrench 4mm		1 PC
E	Wood Screw #4 x 1-1/2"		8 PCS

COMPONENTS LIST:

No.	Description	Sketch	Quantity
1	Case		1 PC
2	Left Front Leg		1 PC
3	Right Front Leg		1 PC
4	Back Leg		2 PCS
5	Bottom Frame		1 PC
6	Side Stretcher		2 PCS

FUNCTIONALITY INSTRUCTION



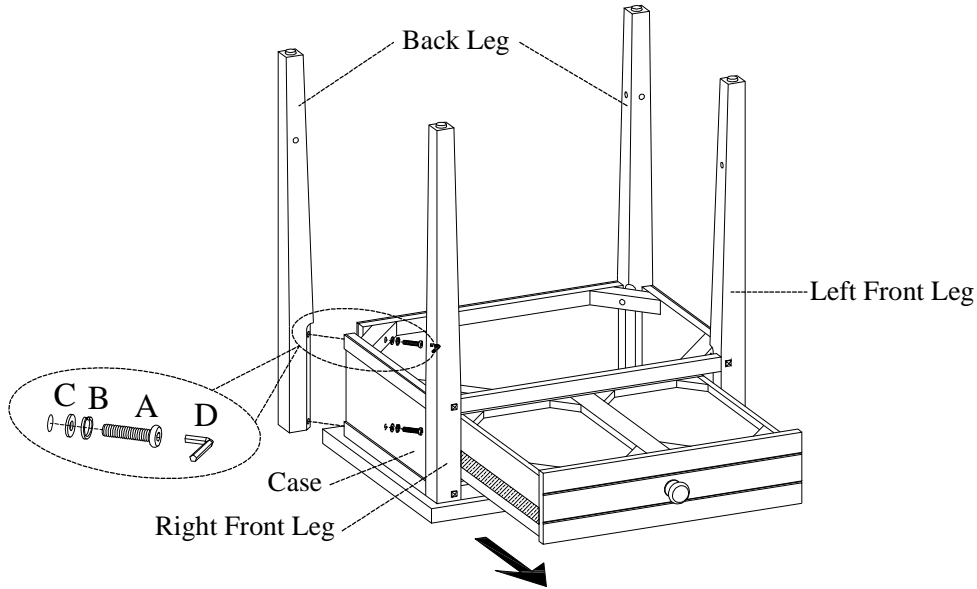
BEFORE USING THIS PRODUCT PLEASE READ, UNDERSTAND, AND FOLLOW THESE INSTRUCTIONS.
Save these instructions for future reference.

FOR INDOOR USE ONLY



ITEM NO: I629-451-DEN/PRW 1 Drawer Nightstand

STEP 1: Put the case face down on a soft surface. Pull out the drawer. Attach the left/right front leg and the back legs to case by using 8 bolts(A), lock washers(B) and flat washers(C). Do not completely tighten bolts.



STEP 2: Attach the bottom frame and side stretchers to legs with 8 wood screws(E). Use the Allen wrench provided and the phillips screwdriver to tighten all the bolts and screws. Push back the drawer. Turn the assembled case to the upright position.

