

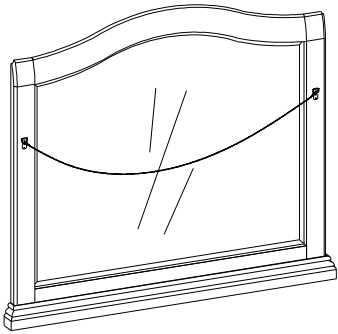


ITEM NO: I07-463-WBR/PEP/BLK     Arched Mirror

Thank you for purchasing this quality product. Be sure to check all packing material carefully for small parts that may come loose inside the carton during shipment.

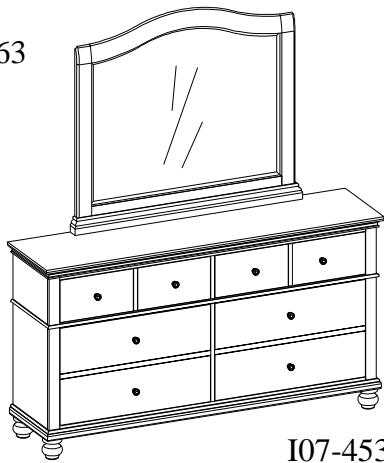
### Option 1: Wall Mount

I07-463



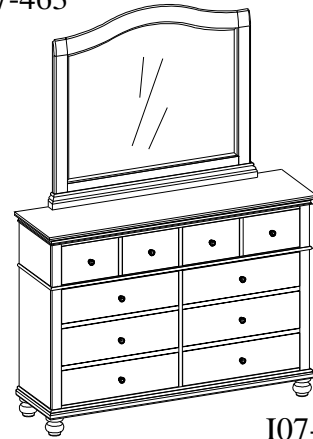
### Option 2: Dresser/Chesser Mount

I07-463



I07-453

I07-463



I07-455

#### HARDWARE LIST:

No.	Description	Sketch	Quantity
A	Bolt Ø1/4"*1-9/16"		8 PCS
B	Lock Washer Ø1/4"		8 PCS
C	Flat Washer Ø1/4" *3/4"		8 PCS
D	Allen Wrench 4mm		1 PC

#### COMPONENTS LIST:

No.	Description	Sketch	Quantity
1	Mirror		1 PC
2	Wood Strip		2 PCS

BEFORE USING THIS PRODUCT PLEASE READ, UNDERSTAND, AND FOLLOW THESE INSTRUCTIONS.  
Save these instructions for future reference.

FOR INDOOR USE ONLY

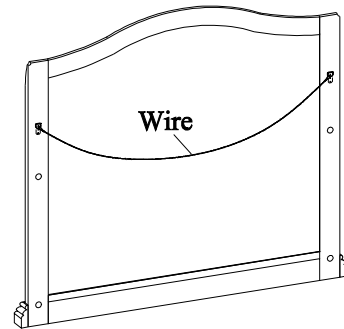


ITEM NO: I07-463-WBR/PEP/BLK    Arched Mirror

### FOR OPTION 1 (Wall Mount)

**STEP 1:** After attaching nail/hanger to wall, place wire over nail/hanger and slowly lower the mirror into place. Make sure the wire catches on the nail/hanger.

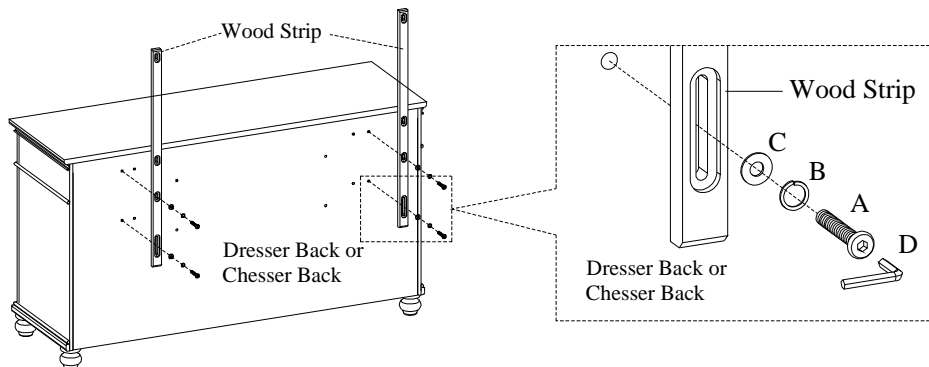
Note: Ensure the nail/hanger is in a wall stud or wall solid enough to support mirror.



### FOR OPTION 2 (Dresser/Chesser Mount)

**STEP 1:** Attach the wood strips to dresser or chesser the by using 4 bolts(A), lock washers(B), and flat washers(C). Do not tighten bolts completely.

Note: Use inside threaded inserts for item I07-462 and outside threaded inserts for item I07-463 .



**STEP 2:** Attach the wood strips to the mirror by using 4 bolts(A), lock washers(B), and flat washers(C). Tighten all bolts on dresser or chesser and mirror with Allen wrench.

