

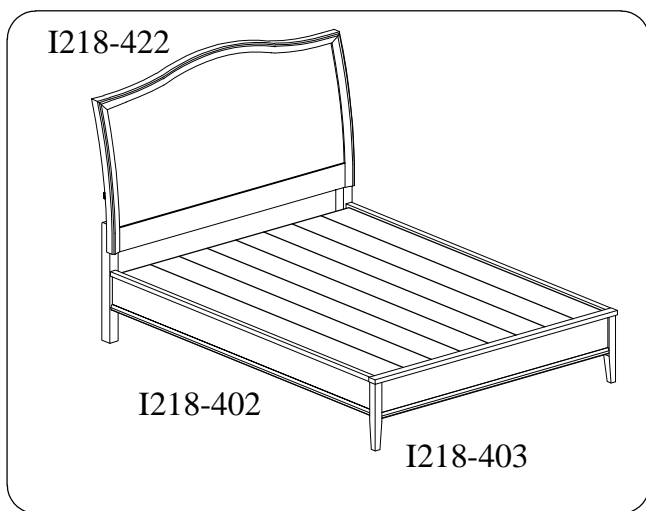


ITEM NO: I218-422-WHT/SHL Queen Uph HB
 I218-403-WHT/SHL Queen Low Profile FB
 I218-402-WHT/SHL Queen Rails w/ Decking

Thank you for purchasing this quality product. Be sure to check all packing material carefully for small parts that may come loose inside the carton during shipment.



UNIT SHOULD BE INSTALLED BY 2 OR MORE PERSONS.



TOOLS REQUIRED (NOT PROVIDED)
PHILLIPS SCREWDRIVER

All Beds need to be set up in the exact final location so that after full assembly it will not need to be moved. Moving the bed will cause the support legs to move out of perpendicular (90 degree), weaken the support system, and may allow the bed to collapse.

HARDWARE LIST: I218-422			
No.	Description	Sketch	Quantity
A	Bolt Ø5/16" x 2"		6 PCS
B	Lock Washer Ø5/16"		6 PCS
C	Flat Washer Ø5/16" x 3/4"		6 PCS
D	Allen Wrench M4		1 PC

COMPONENTS LIST: I218-422			
No.	Description	Sketch	Quantity
1	Headboard		1 PC
2	Left Leg		1 PC
3	Right Leg		1 PC

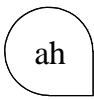
HARDWARE LIST: I218-402			
No.	Description	Sketch	Quantity
E	Hanger Bolt Ø5/16" x 3"		8 PCS
F	Half Moon Washer Ø5/16"		8 PCS
G	Hex Nut Ø5/16"		8 PCS
H	Hex Wrench 13mm		1 PC
I	Wood Screw #4 x 1-1/4"		8 PCS
J	Wood Screw #4 x 3/4"		16 PCS

COMPONENTS LIST: I218-402			
No.	Description	Sketch	Quantity
1	Bed rails		2 PCS
2	Slats		4 PCS
3	Decking		8 PCS

COMPONENTS LIST: I218-403			
No.	Description	Sketch	Quantity
1	Footboard		1 PC
2	Support Leg (for slats)		4 PCS

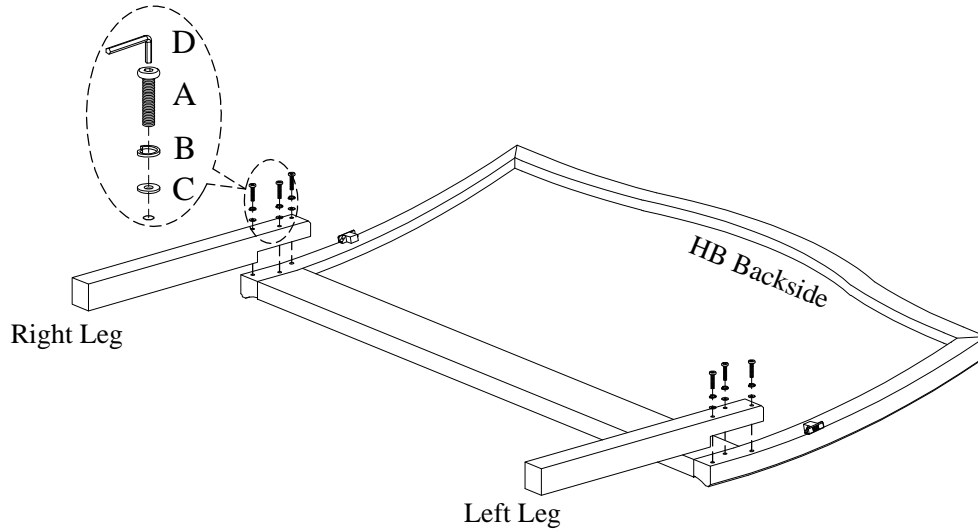
BEFORE USING THIS PRODUCT PLEASE READ, UNDERSTAND, AND FOLLOW THESE INSTRUCTIONS.
 Save these instructions for future reference.

FOR INDOOR USE ONLY

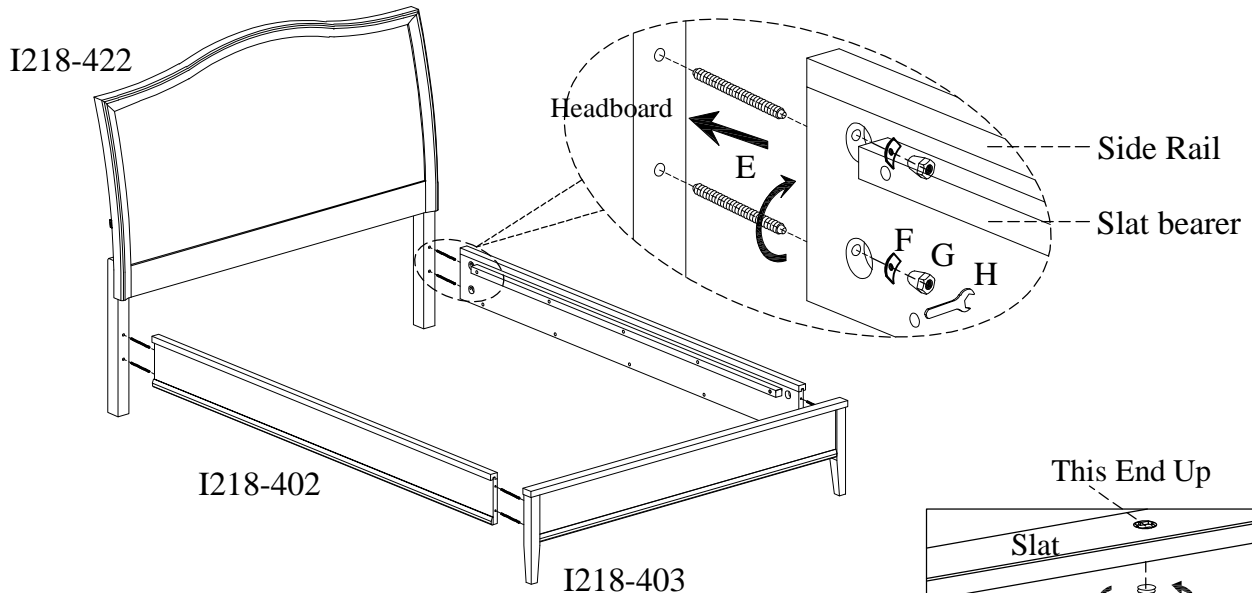


ITEM NO: I218-422-WHT/SHL Queen Uph HB
 I218-403-WHT/SHL Queen Low Profile FB
 I218-402-WHT/SHL Queen Rails w/ Decking

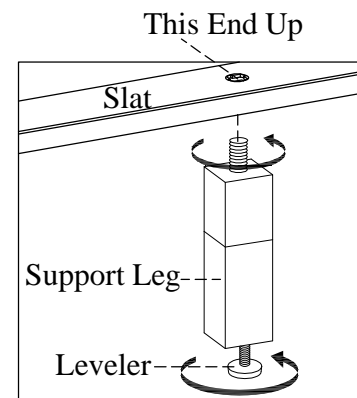
STEP 1: Lay the headboard face down on a soft surface. Attach the left leg and right leg to headboard by using 6 bolts(A), lock washers(B) and flat washers(C).

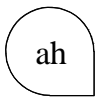


STEP 2: Screw the bolts(E) into HB & FB. Align the bolts with the holes in the end of side rails and attach the side rails to HB & FB using half moon washer(F), and hex nuts (G). Then use a hex wrench to tighten all the nuts.



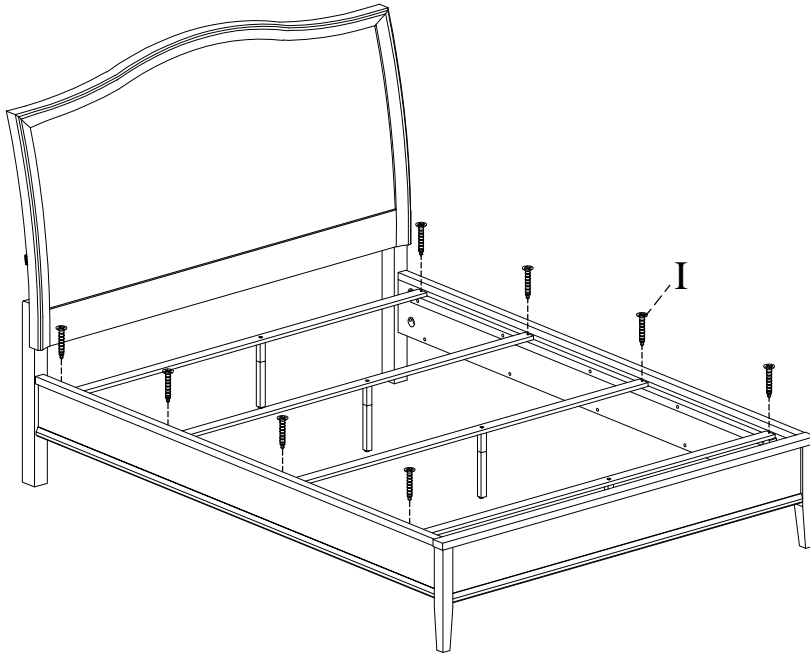
STEP 3: Attach the support legs with leveler to the slats. Adjust the levelers on bottom of support legs when necessary.





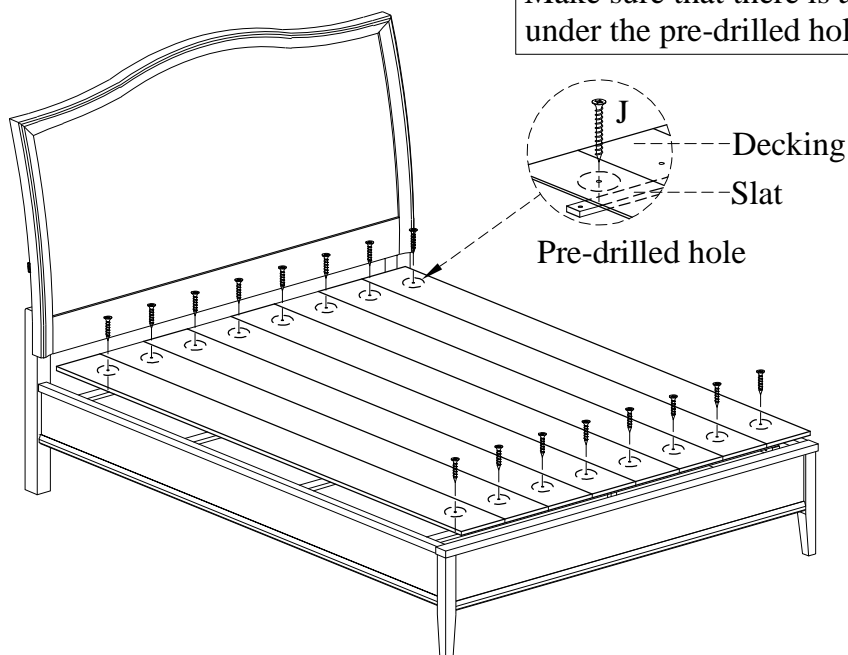
ITEM NO: I218-422-WHT/SHL Queen Uph HB
I218-403-WHT/SHL Queen Low Profile FB
I218-402-WHT/SHL Queen Rails w/ Decking

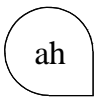
STEP 4: Arrange slats on the slat bearers and then lay the decking on top of the slats. Make sure the top and bottom slats are situated underneath the pre-drilled holes as shown below in STEP 5. Remove the decking and attach slats to the slat bearers with wood screws (I).



STEP 5: Put the decking over the slats, secure decking to the slats with wood screws (J) through the pre-drilled holes in the decking as shown below.

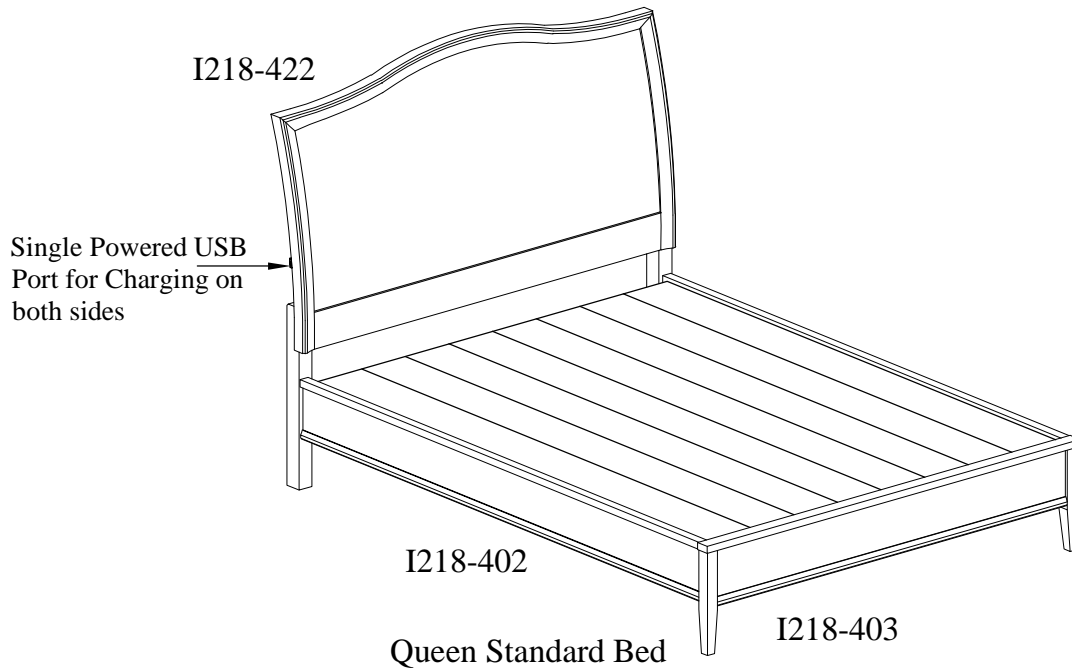
Make sure that there is a slat under the pre-drilled hole.





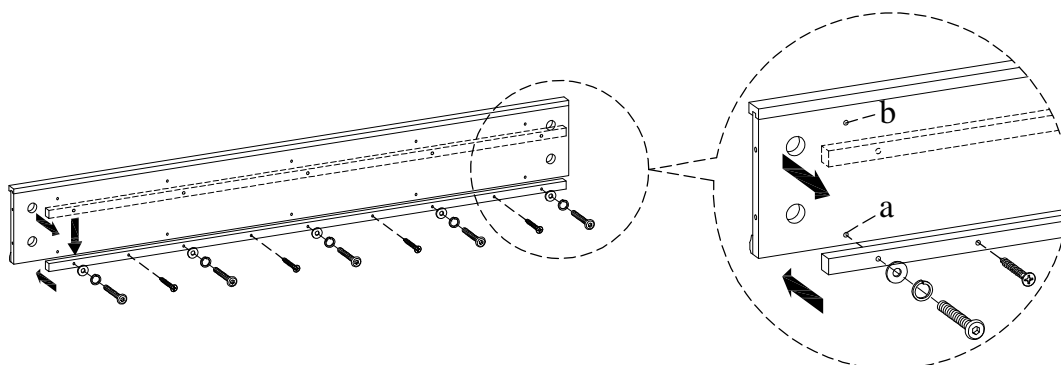
ITEM NO: I218-422-WHT/SHL Queen Uph HB
 I218-403-WHT/SHL Queen Low Profile FB
 I218-402-WHT/SHL Queen Rails w/ Decking

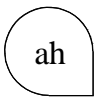
FUNCTIONALITY INSTRUCTION



OPTION 2: The side rails may be used on either side. Arrange the side rails so the slat bearers are in LOWER POSITION prior to attachment in STEP 3.

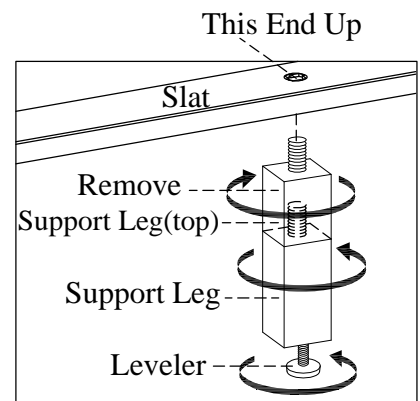
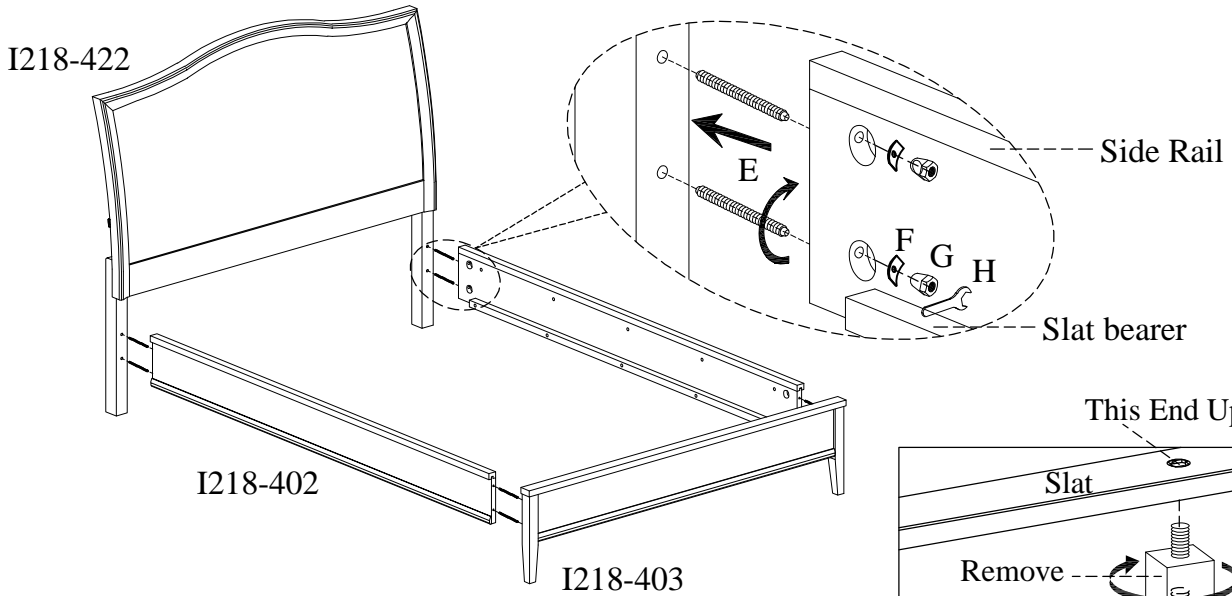
STEP 2: The slat bearers have been attached in position (b) originally. The slat bearers must be moved into position (a) since using more than a mattress on this bed. Remove the bolts and screws from the slat bearers and side rails as shown below. Then re-attach the slat bearers to the side rails in position (a) with bolts, lock washers, flat washers, and screws. **Caution: Do not over tighten bolts as this may loosen the threaded inserts in the side rails.**





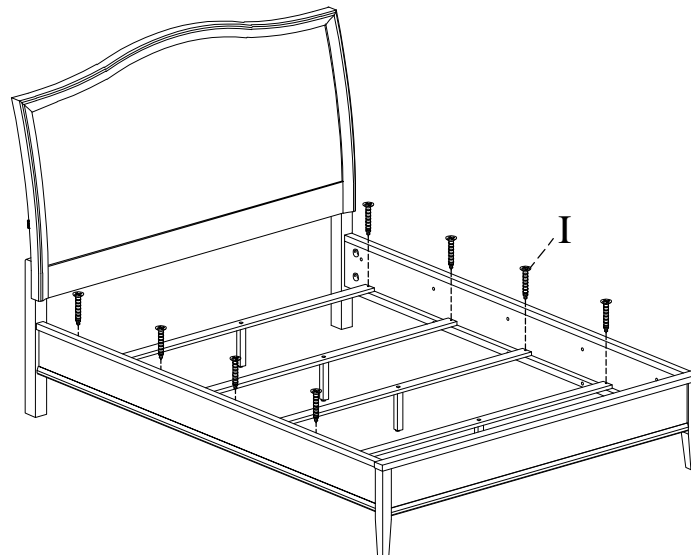
ITEM NO: I218-422-WHT/SHL Queen Uph HB
 I218-403-WHT/SHL Queen Low Profile FB
 I218-402-WHT/SHL Queen Rails w/ Decking

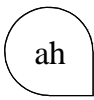
STEP 3: Screw the bolts(E) into HB & FB. Align the bolts with the holes in the end of side rails and attach the side rails to HB & FB using half moon washer(F), and hex nuts (G). Then use a hex wrench to tighten all the nuts.



STEP 4: Remove the support legs (top) as shown in the picture to the right. Attach the support legs with leveler to the slats. Adjust the levelers on bottom of support legs when necessary.

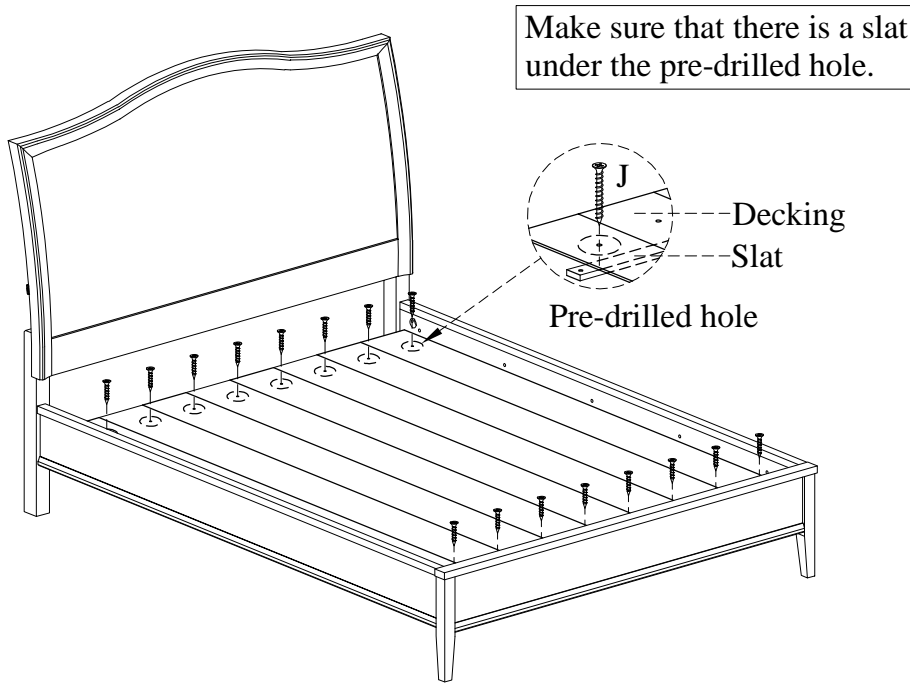
STEP 5: Arrange slats on the slat bearers and then lay the decking on top of the slats. Make sure the top and bottom slats are situated underneath the pre-drilled holes as shown below in STEP 6. Remove the decking and attach slats to the slat bearers with wood screws (I).



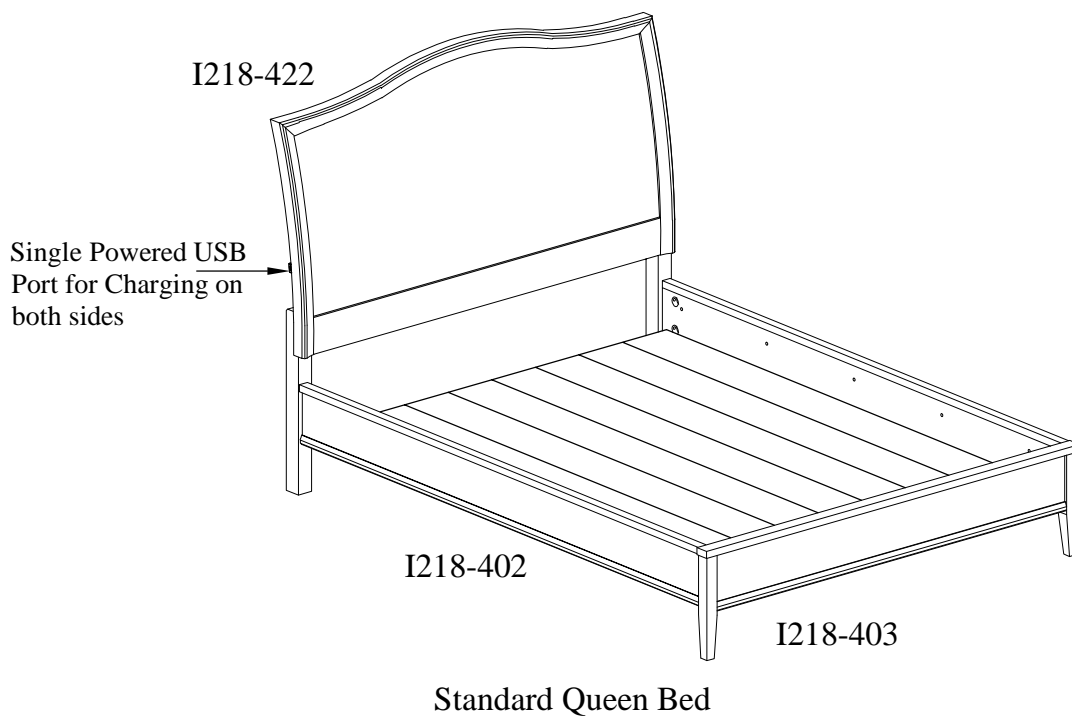


ITEM NO: I218-422-WHT/SHL Queen Uph HB
 I218-403-WHT/SHL Queen Low Profile FB
 I218-402-WHT/SHL Queen Rails w/ Decking

STEP 6: Put the decking over the slats, secure decking to the slats with wood screws (J) through the pre-drilled holes in the decking as shown below.



FUNCTIONALITY INSTRUCTION



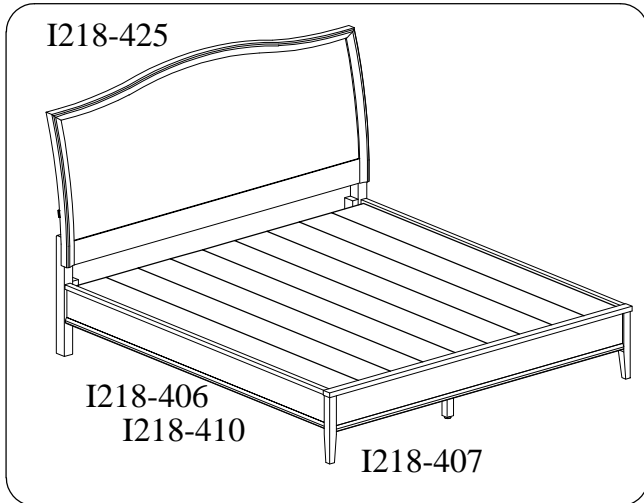


ITEM NO: I218-425-WHT/SHL King Uph HB
 I218-407-WHT/SHL King Low Profile FB
 I218-406-WHT/SHL King Rails w/ Decking
 I218-410-WHT/SHL Cal King Rails w/ Decking

Thank you for purchasing this quality product. Be sure to check all packing material carefully for small parts that may come loose inside the carton during shipment.



UNIT SHOULD BE INSTALLED BY 2 OR MORE PERSONS.



TOOLS REQUIRED (NOT PROVIDED)
PHILLIPS SCREWDRIVER

All Beds need to be set up in the exact final location so that after full assembly it will not need to be moved. Moving the bed will cause the support legs to move out of perpendicular (90 degree), weaken the support system, and may allow the bed to collapse.

HARDWARE LIST: I218-425			
No.	Description	Sketch	Quantity
A	Bolt Ø5/16" x 2"		6 PCS
B	Lock Washer Ø5/16"		6 PCS
C	Flat Washer Ø5/16" x 3/4"		6 PCS
D	Allen Wrench M4		1 PC

COMPONENTS LIST: I218-425			
No.	Description	Sketch	Quantity
1	Headboard		1 PC
2	Left Leg		1 PC
3	Right Leg		1 PC

HARDWARE LIST: I218-406/410			
No.	Description	Sketch	Quantity
E	Hanger Bolt Ø5/16" x 3"		8 PCS
F	Half Moon Washer Ø5/16"		8 PCS
G	Hex Nut Ø5/16"		8 PCS
H	Hex Wrench 13mm		1 PC
I	Wood Screw #4 x 1-1/4"		10 PCS
J	Wood Screw #4 x 3/4"(only for -406)		18 PCS
k	Wood Cap (only for -410)		8 PCS
L	Wood Screw #4 x 3/4"(only for -410)		16 PCS

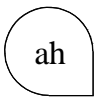
COMPONENTS LIST: I218-406			
No.	Description	Sketch	Quantity
1	Bed rails		2 PCS
2	Slats		5 PCS
3	Decking		9 PCS

COMPONENTS LIST: I218-410			
No.	Description	Sketch	Quantity
1	Bed rails		2 PCS
2	Slats		5 PCS
3	Decking		8 PCS

COMPONENTS LIST: I218-407			
No.	Description	Sketch	Quantity
1	Footboard		1 PC
2	Support Leg (for slats)		5 PCS

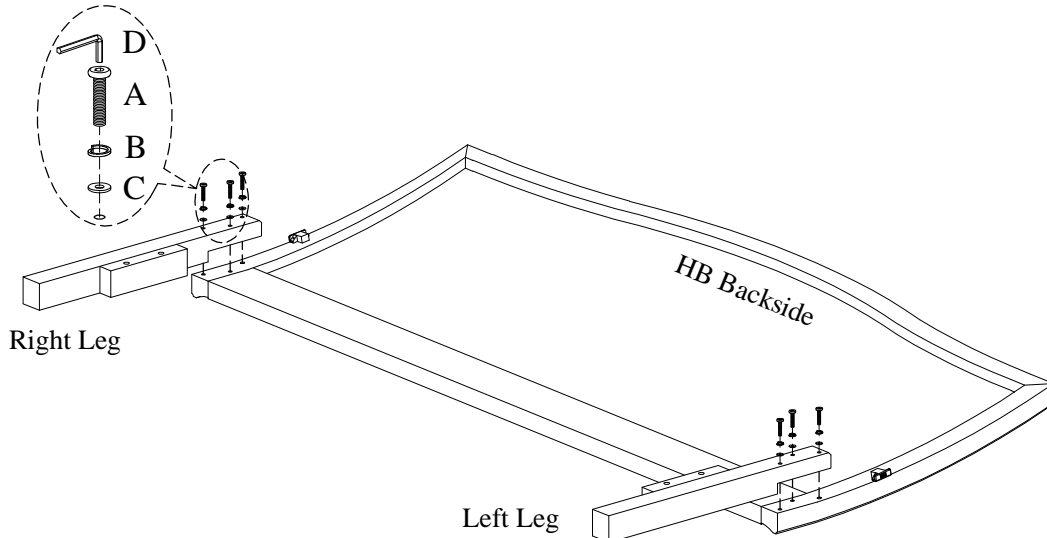
BEFORE USING THIS PRODUCT PLEASE READ, UNDERSTAND, AND FOLLOW THESE INSTRUCTIONS. Save these instructions for future reference.

FOR INDOOR USE ONLY



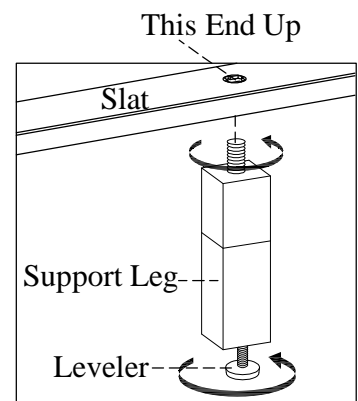
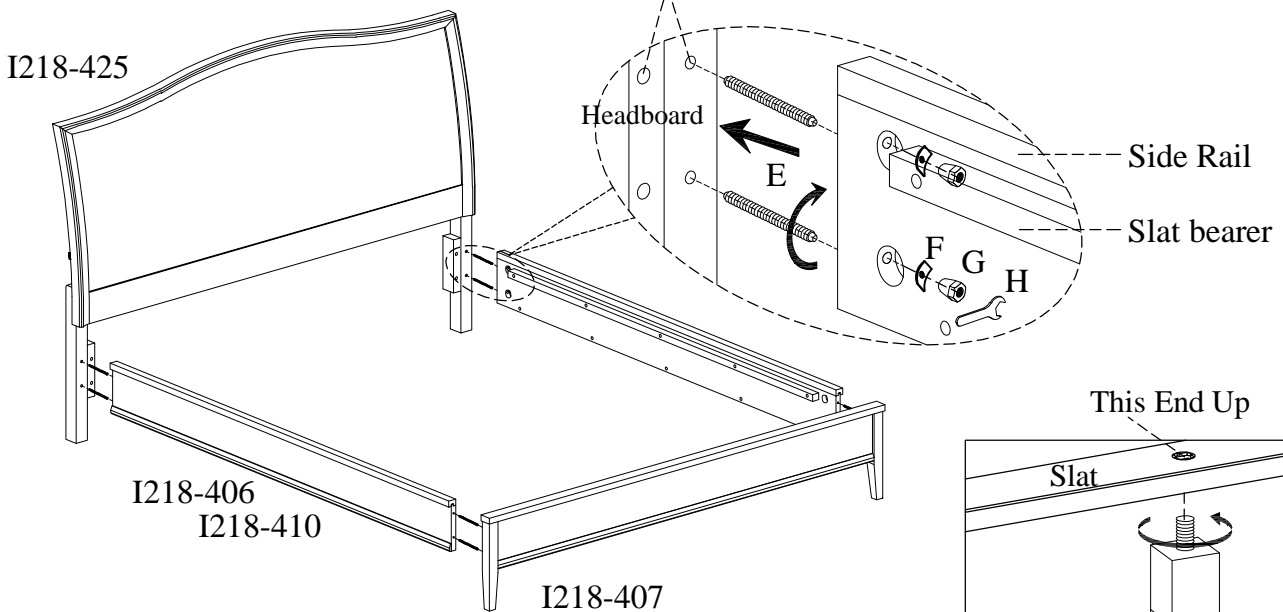
ITEM NO: I218-425-WHT/SHL King Uph HB
 I218-407-WHT/SHL King Low Profile FB
 I218-406-WHT/SHL King Rails w/ Decking
 I218-410-WHT/SHL Cal King Rails w/ Decking

STEP 1: Lay the headboard face down on a soft surface. Attach the left leg and right leg to headboard by using 6 bolts(A), lock washers(B) and flat washers(C).



STEP 2: Screw the bolts(E) into HB & FB. Align the bolts with the holes in the end of side rails and attach the side rails to HB & FB using half moon washer(F), and hex nuts (G). Then use a hex wrench to tighten all the nuts.

The outside holes match to 6/6 standard king rails, the inside holes match to 6/0 Cal king bed rails.

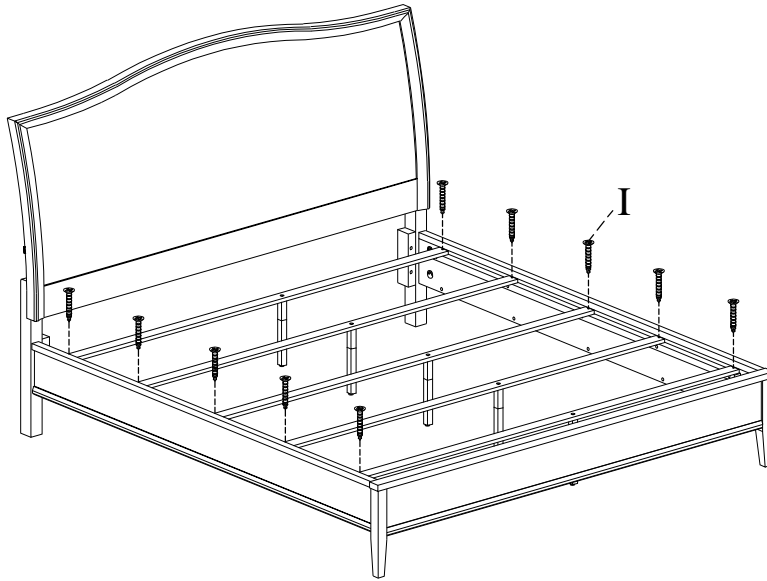


STEP 3: Attach the support legs with leveler to the slats. Adjust the levelers on bottom of support legs when necessary.

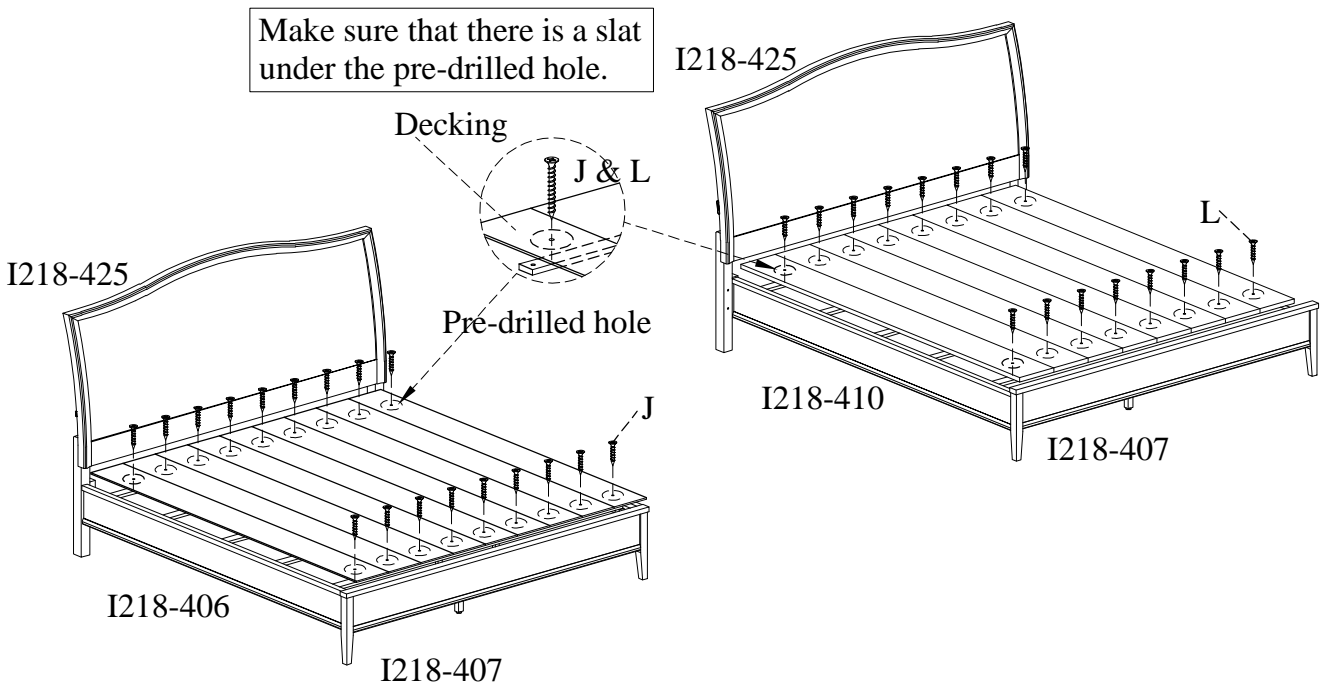


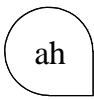
ITEM NO: I218-425-WHT/SHL King Uph HB
 I218-407-WHT/SHL King Low Profile FB
 I218-406-WHT/SHL King Rails w/ Decking
 I218-410-WHT/SHL Cal King Rails w/ Decking

STEP 4: Arrange slats on the slat bearers and then lay the decking on top of the slats. Make sure the top and bottom slats are situated underneath the pre-drilled holes as shown below in STEP 5. Remove the decking and attach slats to the slat bearers with wood screws (I).



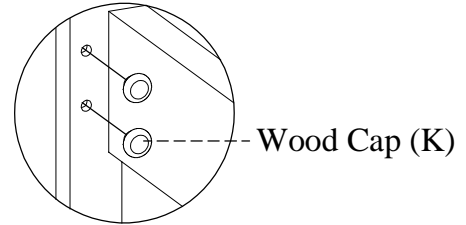
STEP 5: Put the decking over the slats, secure decking to the slats with wood screws (J & L) through the pre-drilled holes in the decking as shown below.



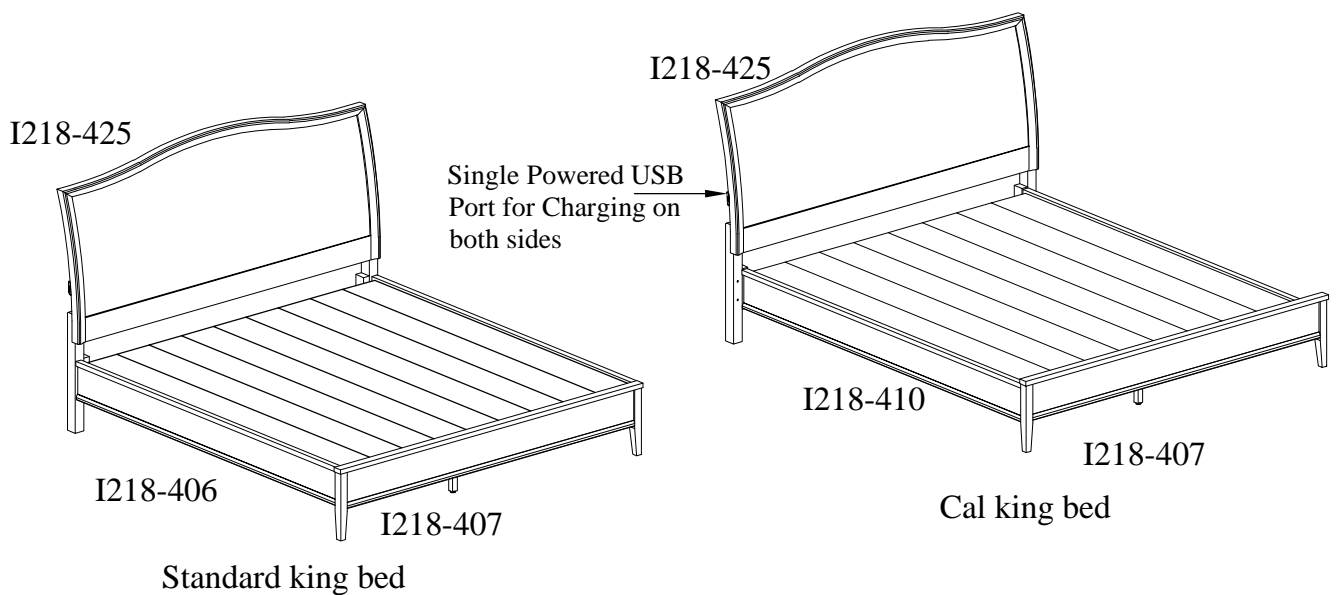


ITEM NO: I218-425-WHT/SHL King Uph HB
 I218-407-WHT/SHL King Low Profile FB
 I218-406-WHT/SHL King Rails w/ Decking
 I218-410-WHT/SHL Cal King Rails w/ Decking

STEP 6: For Cal King bed, insert wood caps into the holes on headboard and footboard. For regular King bed, skip this step.

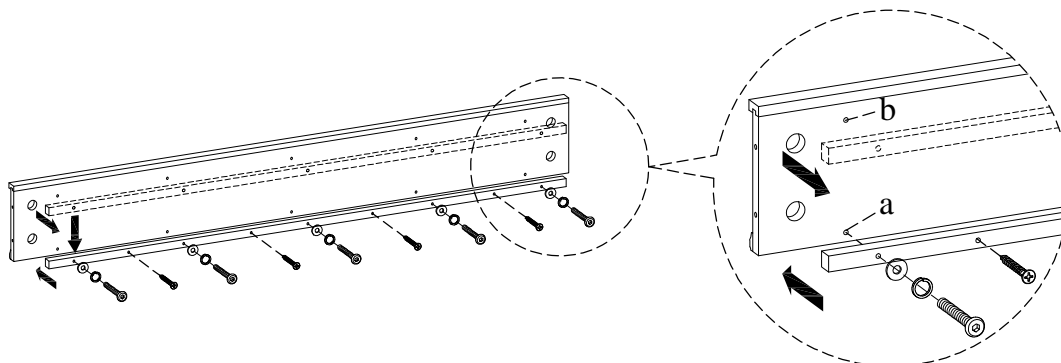


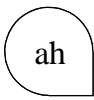
FUNCTIONALITY INSTRUCTION



OPTION 2: The side rails may be used on either side. Arrange the side rails so the slat bearers are in LOWER POSITION prior to attachment in STEP 3.

STEP 2: The slat bearers have been attached in position (b) originally. The slat bearers must be moved into position (a) since using more than a mattress on this bed. Remove the bolts and screws from the slat bearers and side rails as shown below. Then re-attach the slat bearers to the side rails in position (a) with bolts, lock washers, flat washers, and screws. **Caution: Do not over tighten bolts as this may loosen the threaded inserts in the side rails.**

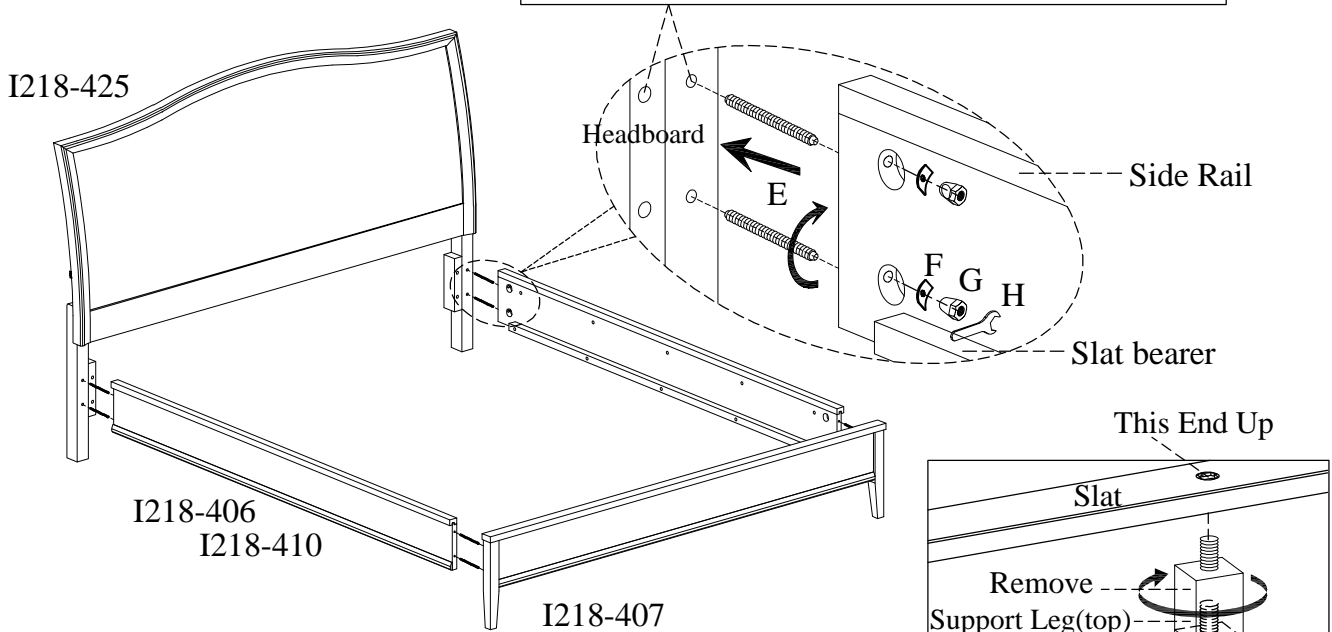




ITEM NO: I218-425-WHT/SHL King Uph HB
 I218-407-WHT/SHL King Low Profile FB
 I218-406-WHT/SHL King Rails w/ Decking
 I218-410-WHT/SHL Cal King Rails w/ Decking

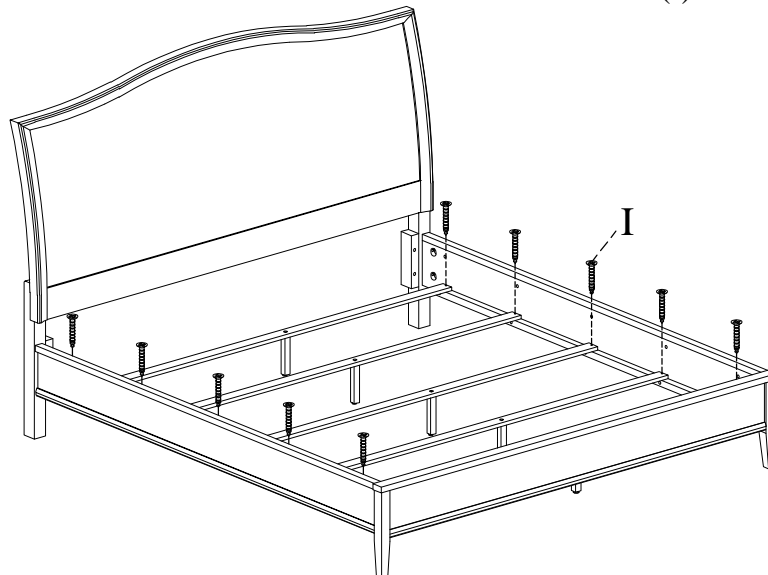
STEP 3: Screw the bolts(E) into HB & FB. Align the bolts with the holes in the end of side rails and attach the side rails to HB & FB using half moon washer(F), and hex nuts (G). Then use a hex wrench to tighten all the nuts.

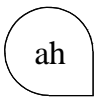
The outside holes match to 6/6 standard king rails, the inside holes match to 6/0 Cal king bed rails.



STEP 4: Remove the support legs (top) as shown in the picture to the right. Attach the support legs with leveler to the slats. Adjust the levelers on bottom of support legs when necessary.

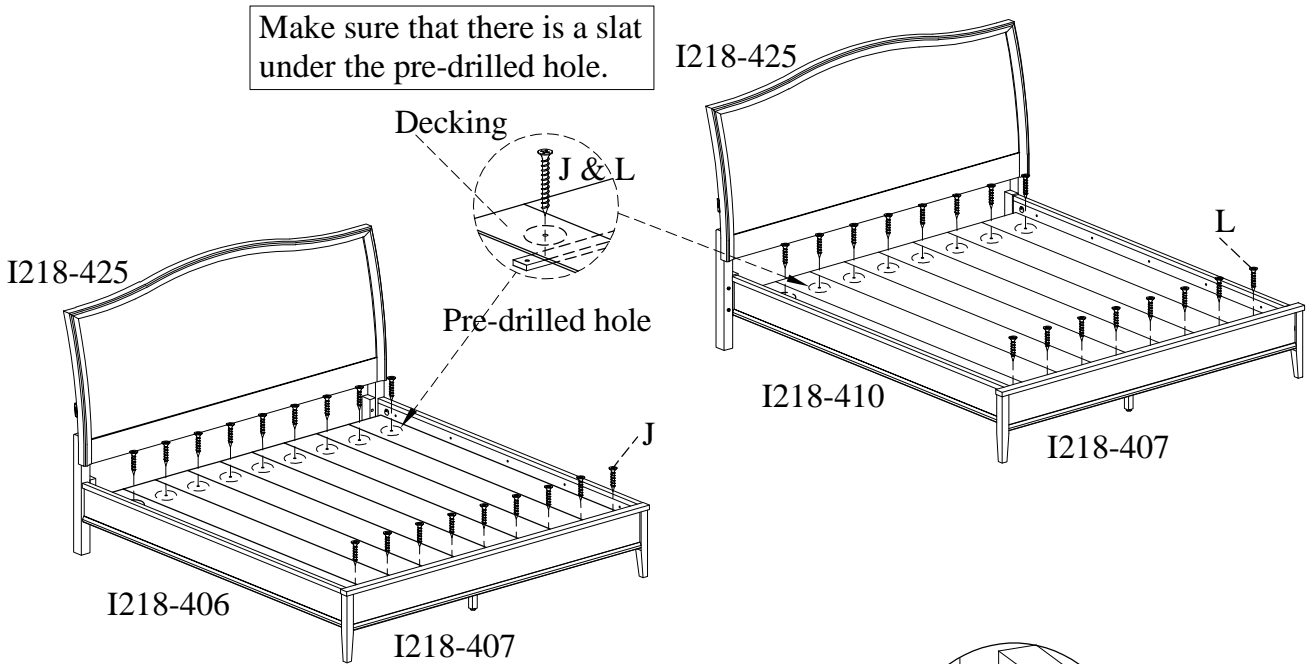
STEP 5: Arrange slats on the slat bearers and then lay the decking on top of the slats. Make sure the top and bottom slats are situated underneath the pre-drilled holes as shown below in STEP 6. Remove the decking and attach slats to the slat bearers with wood screws (I).



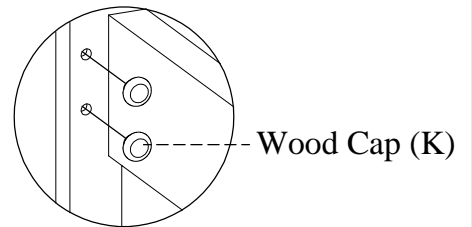


- ITEM NO: I218-425-WHT/SHL King Uph HB
 I218-407-WHT/SHL King Low Profile FB
 I218-406-WHT/SHL King Rails w/ Decking
 I218-410-WHT/SHL Cal King Rails w/ Decking

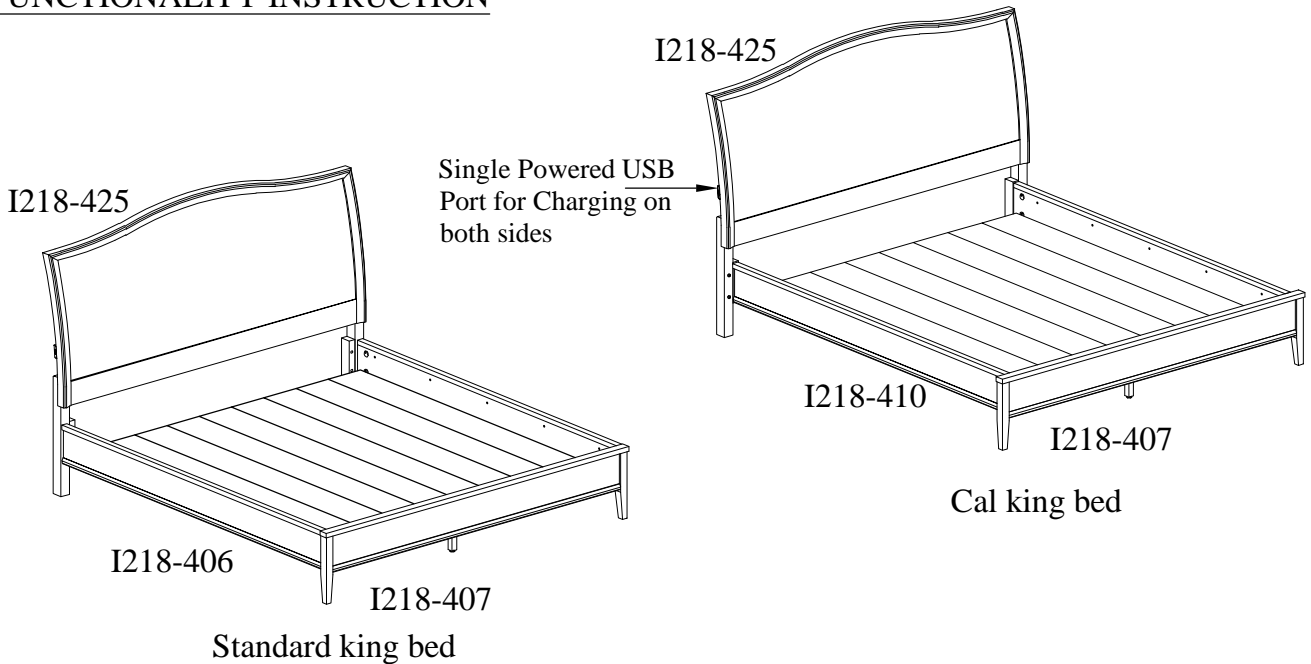
STEP 6: Put the decking over the slats, secure decking to the slats with wood screws (J & L) through the pre-drilled holes in the decking as shown below.

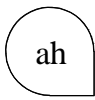


STEP 7: For Cal King bed, insert wood caps into the holes on headboard and footboard. For regular King bed, skip this step.



FUNCTIONALITY INSTRUCTION



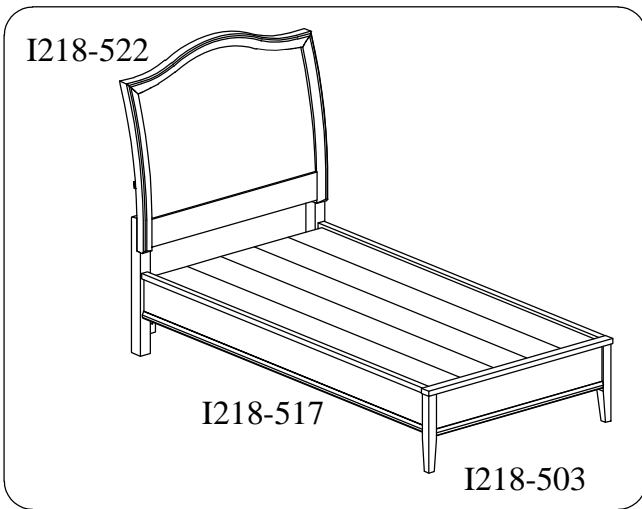


ITEM NO: I218-522-WHT/SHL Twin Uph HB
 I218-503-WHT/SHL Twin Low Profile FB
 I218-517-WHT/SHL Twin Rails w/ Decking

Thank you for purchasing this quality product. Be sure to check all packing material carefully for small parts that may come loose inside the carton during shipment.



UNIT SHOULD BE INSTALLED BY 2 OR MORE PERSONS.



TOOLS REQUIRED (NOT PROVIDED)
PHILLIPS SCREWDRIVER

All Beds need to be set up in the exact final location so that after full assembly it will not need to be moved. Moving the bed will cause the support legs to move out of perpendicular (90 degree), weaken the support system, and may allow the bed to collapse.

HARDWARE LIST: I218-522			
No.	Description	Sketch	Quantity
A	Bolt Ø5/16" x 2"		6 PCS
B	Lock Washer Ø5/16"		6 PCS
C	Flat Washer Ø5/16" x 3/4"		6 PCS
D	Allen Wrench M4		1 PC

COMPONENTS LIST: I218-522			
No.	Description	Sketch	Quantity
1	Headboard		1 PC
2	Left Leg		1 PC
3	Right Leg		1 PC

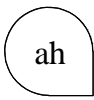
HARDWARE LIST: I218-517			
No.	Description	Sketch	Quantity
E	Hanger Bolt Ø5/16" x 3"		8 PCS
F	Half Moon Washer Ø5/16"		8 PCS
G	Hex Nut Ø5/16"		8 PCS
H	Hex Wrench 13mm		1 PC
I	Wood Screw #4 x 1-1/4"		8 PCS
J	Wood Screw #4 x 3/4"		10 PCS

COMPONENTS LIST: I218-517			
No.	Description	Sketch	Quantity
1	Bed rails		2 PCS
2	Slats		4 PCS
3	Decking		5 PCS

COMPONENTS LIST: I218-503			
No.	Description	Sketch	Quantity
1	Footboard		1 PC
2	Support Leg (for slats)		4 PCS

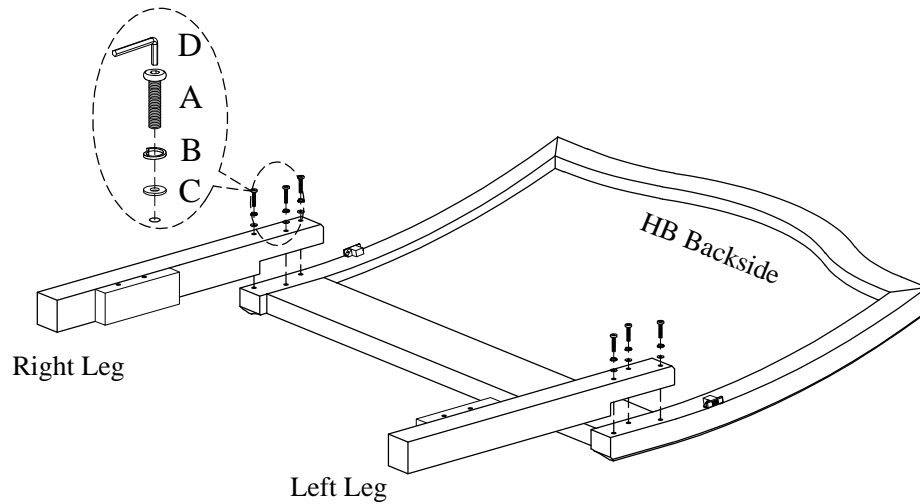
BEFORE USING THIS PRODUCT PLEASE READ, UNDERSTAND, AND FOLLOW THESE INSTRUCTIONS. Save these instructions for future reference.

FOR INDOOR USE ONLY

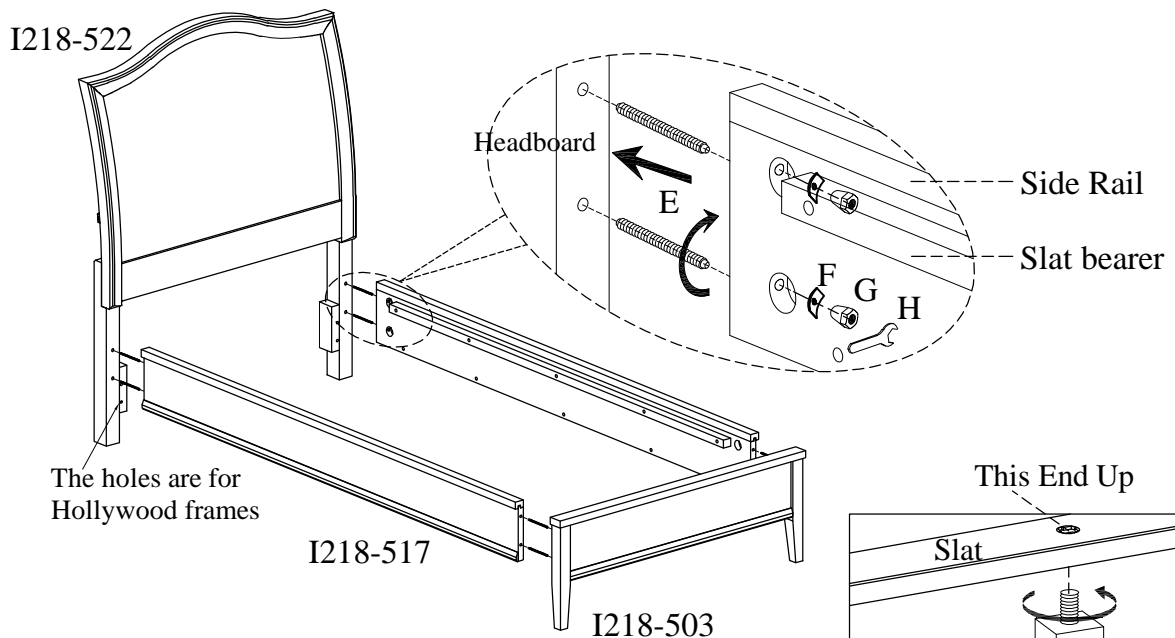


ITEM NO: I218-522-WHT/SHL Twin Uph HB
 I218-503-WHT/SHL Twin Low Profile FB
 I218-517-WHT/SHL Twin Rails w/ Decking

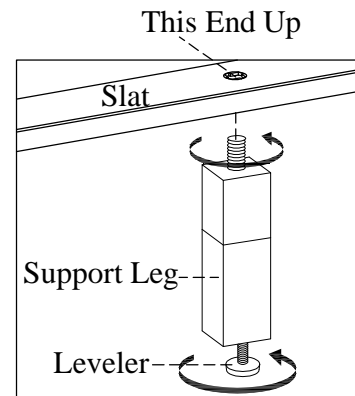
STEP 1: Lay the headboard face down on a soft surface. Attach the left leg and right leg to headboard by using 6 bolts(A), lock washers(B) and flat washers(C).

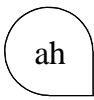


STEP 2: Screw the bolts(E) into HB & FB. Align the bolts with the holes in the end of side rails and attach the side rails to HB & FB using half moon washer(F), and hex nuts (G). Then use a hex wrench to tighten all the nuts.



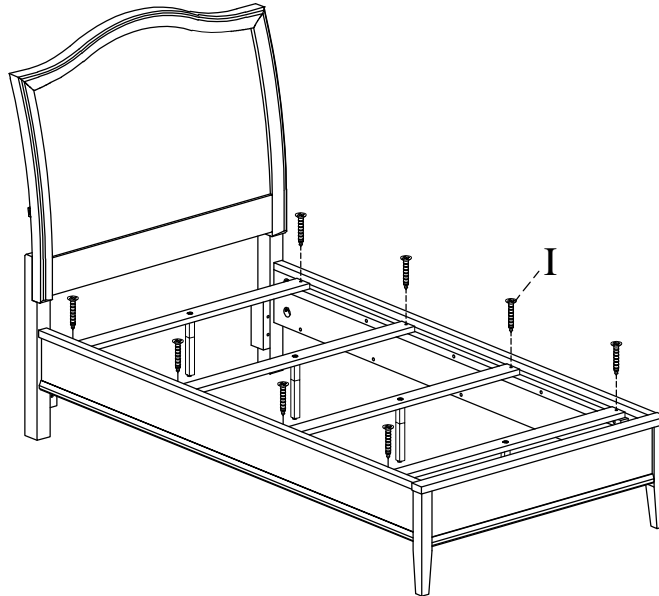
STEP 3: Attach the support legs with leveler to the slats. Adjust the levelers on bottom of support legs when necessary.



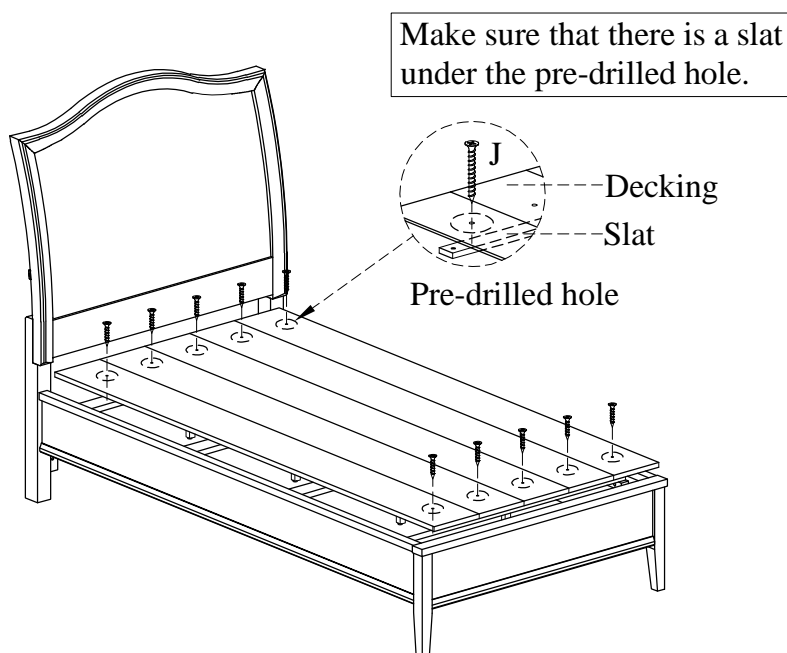


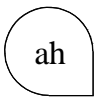
ITEM NO: I218-522-WHT/SHL Twin Uph HB
I218-503-WHT/SHL Twin Low Profile FB
I218-517-WHT/SHL Twin Rails w/ Decking

STEP 4: Arrange slats on the slat bearers and then lay the decking on top of the slats. Make sure the top and bottom slats are situated underneath the pre-drilled holes as shown below in STEP 5. Remove the decking and attach slats to the slat bearers with wood screws (I).



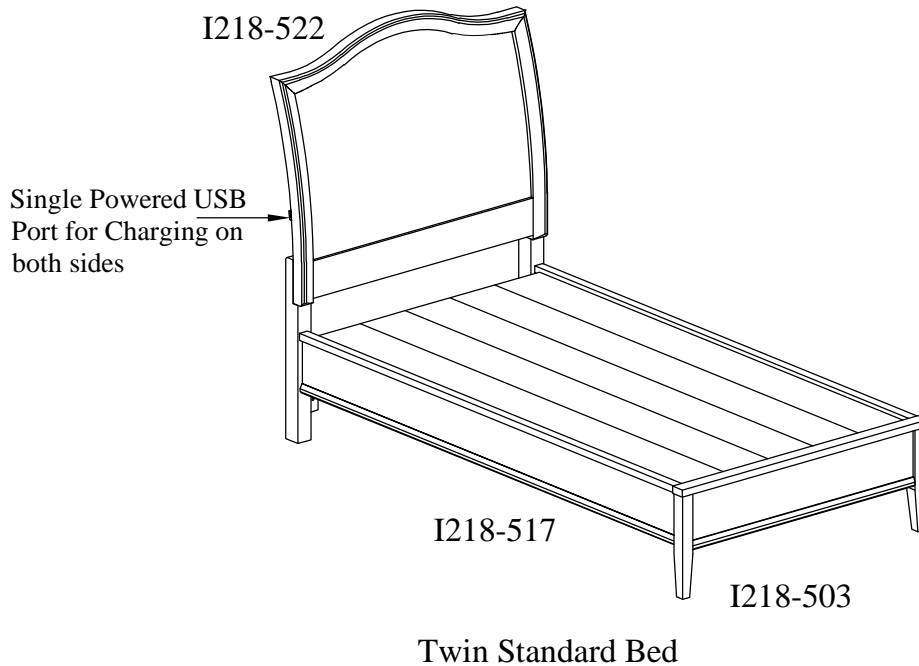
STEP 5: Put the decking over the slats, secure decking to the slats with wood screws (J) through the pre-drilled holes in the decking as shown below.





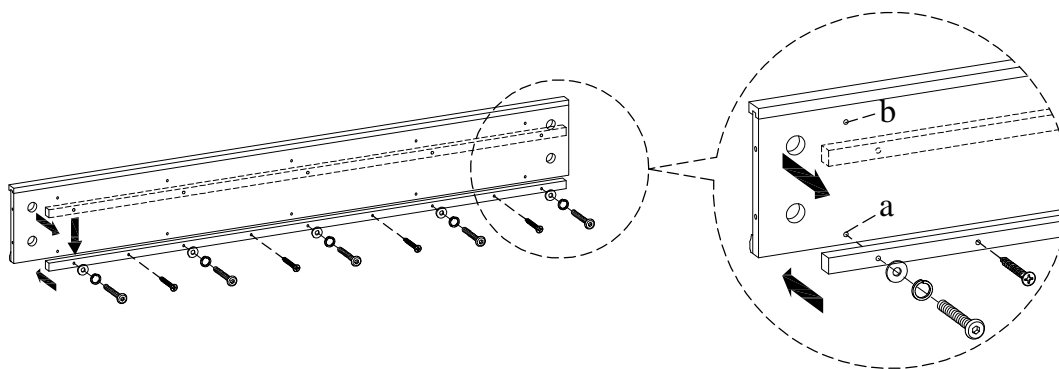
ITEM NO: I218-522-WHT/SHL Twin Uph HB
 I218-503-WHT/SHL Twin Low Profile FB
 I218-517-WHT/SHL Twin Rails w/ Decking

FUNCTIONALITY INSTRUCTION



OPTION 2: The side rails may be used on either side. Arrange the side rails so the slat bearers are in LOWER POSITION prior to attachment in STEP 3.

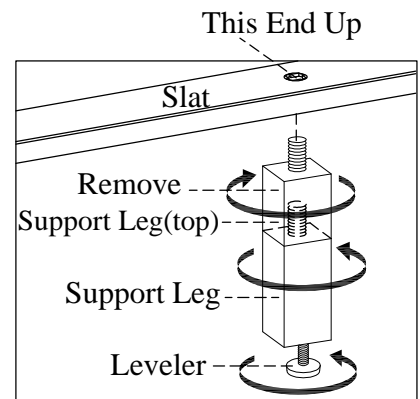
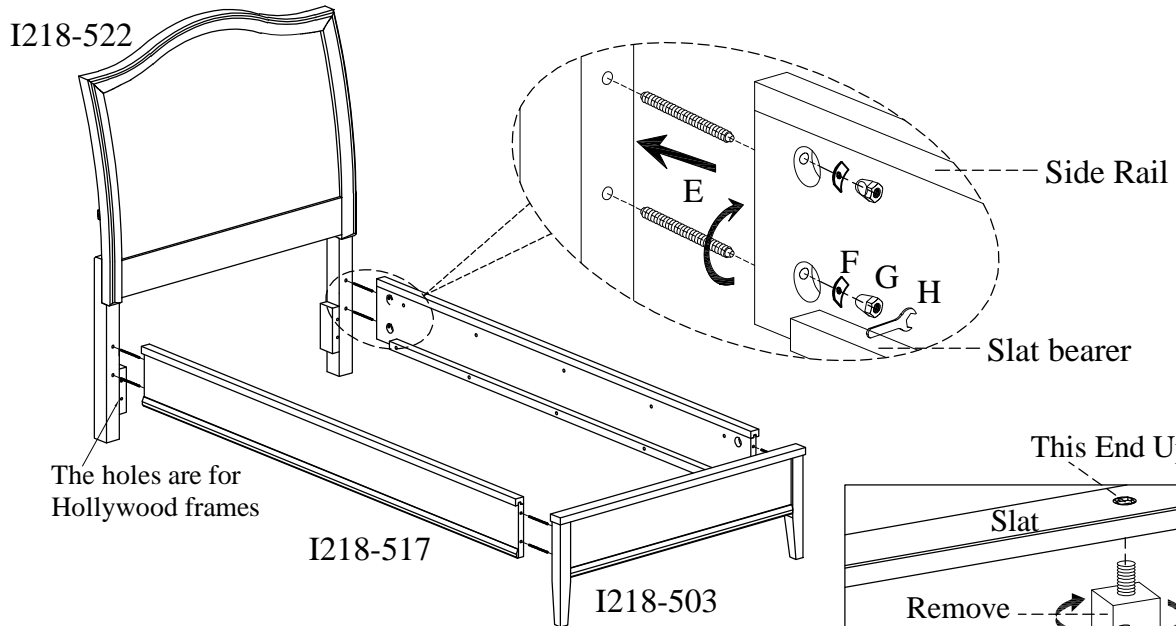
STEP 2: The slat bearers have been attached in position (b) originally. The slat bearers must be moved into position (a) since using more than a mattress on this bed. Remove the bolts and screws from the slat bearers and side rails as shown below. Then re-attach the slat bearers to the side rails in position (a) with bolts, lock washers, flat washers, and screws. **Caution: Do not over tighten bolts as this may loosen the threaded inserts in the side rails.**





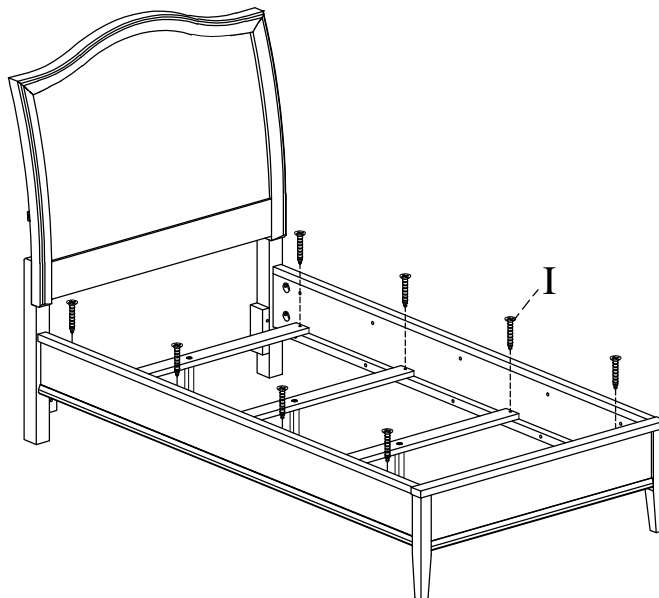
ITEM NO: I218-522-WHT/SHL Twin Uph HB
 I218-503-WHT/SHL Twin Low Profile FB
 I218-517-WHT/SHL Twin Rails w/ Decking

STEP 3: Screw the bolts(E) into HB & FB. Align the bolts with the holes in the end of side rails and attach the side rails to HB & FB using half moon washer(F),and hex nuts (G).Then use a hex wrench to tighten all the nuts.



STEP 4: Remove the support legs (top) as shown in the picture to the right. Attach the support legs with leveler to the slats. Adjust the levelers on bottom of support legs when necessary.

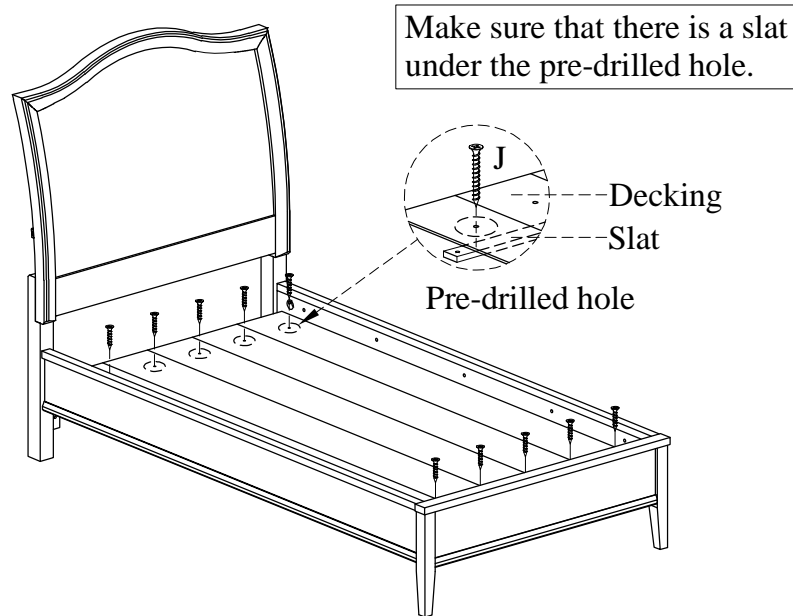
STEP 5: Arrange slats on the slat bearers and then lay the decking on top of the slats. Make sure the top and bottom slats are situated underneath the pre-drilled holes as shown below in STEP 6. Remove the decking and attach slats to the slat bearers with wood screws (I).



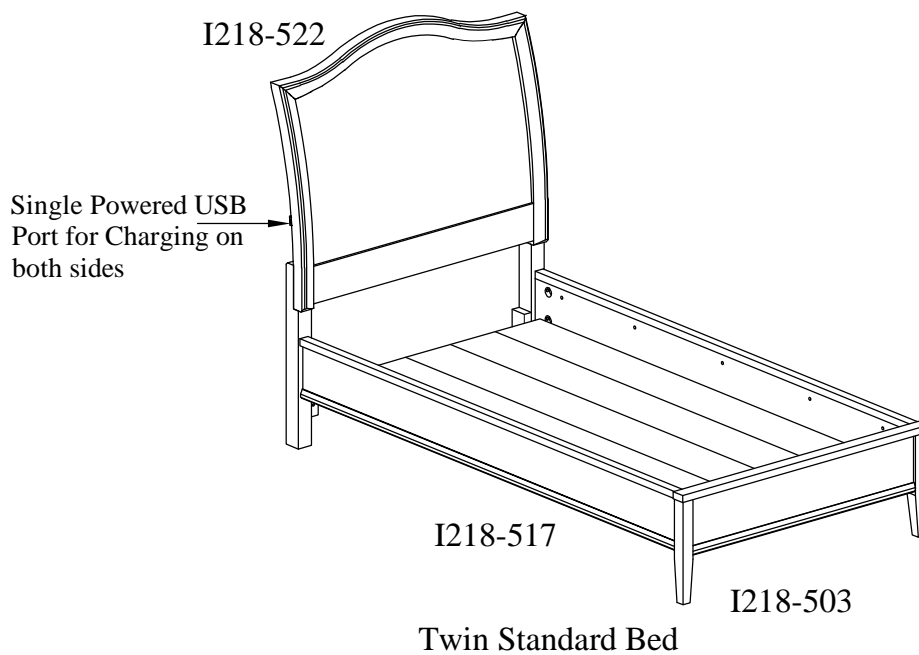


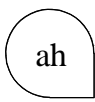
ITEM NO: I218-522-WHT/SHL Twin Uph HB
I218-503-WHT/SHL Twin Low Profile FB
I218-517-WHT/SHL Twin Rails w/ Decking

STEP 6: Put the decking over the slats, secure decking to the slats with wood screws (J) through the pre-drilled holes in the decking as shown below.



FUNCTIONALITY INSTRUCTION



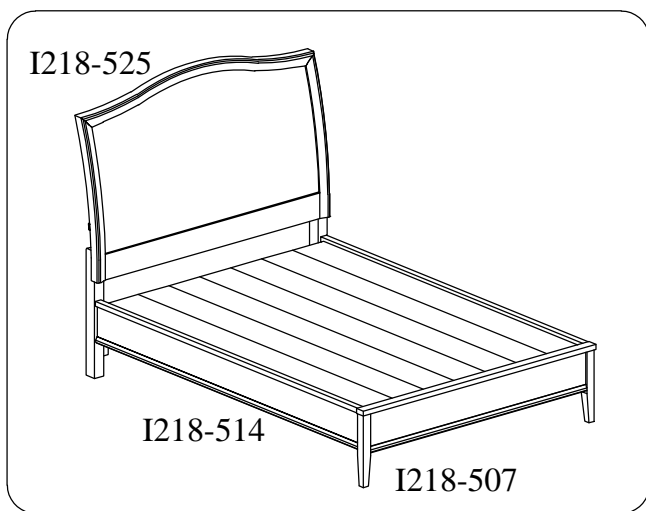


ITEM NO: I218-525-WHT/SHL Full Uph HB
 I218-507-WHT/SHL Full Low Profile FB
 I218-514-WHT/SHL Full Rails w/ Decking

Thank you for purchasing this quality product. Be sure to check all packing material carefully for small parts that may come loose inside the carton during shipment.



UNIT SHOULD BE INSTALLED BY 2 OR MORE PERSONS.



TOOLS REQUIRED (NOT PROVIDED)
PHILLIPS SCREWDRIVER

All Beds need to be set up in the exact final location so that after full assembly it will not need to be moved. Moving the bed will cause the support legs to move out of perpendicular (90 degree), weaken the support system, and may allow the bed to collapse.

HARDWARE LIST: I218-525			
No.	Description	Sketch	Quantity
A	Bolt Ø5/16" x 2"		6 PCS
B	Lock Washer Ø5/16"		6 PCS
C	Flat Washer Ø5/16" x 3/4"		6 PCS
D	Allen Wrench M4		1 PC

COMPONENTS LIST: I218-525			
No.	Description	Sketch	Quantity
1	Headboard		1 PC
2	Left Leg		1 PC
3	Right Leg		1 PC

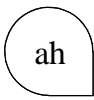
HARDWARE LIST: I218-514			
No.	Description	Sketch	Quantity
E	Hanger Bolt Ø5/16" x 3"		8 PCS
F	Half Moon Washer Ø5/16"		8 PCS
G	Hex Nut Ø5/16"		8 PCS
H	Hex Wrench 13mm		1 PC
I	Wood Screw #4 x 1-1/4"		8 PCS
J	Wood Screw #4 x 3/4"		14 PCS

COMPONENTS LIST: I218-514			
No.	Description	Sketch	Quantity
1	Bed rails		2 PCS
2	Slats		4 PCS
3	Decking		7 PCS

COMPONENTS LIST: I218-507			
No.	Description	Sketch	Quantity
1	Footboard		1 PC
2	Support Leg (for slats)		4 PCS

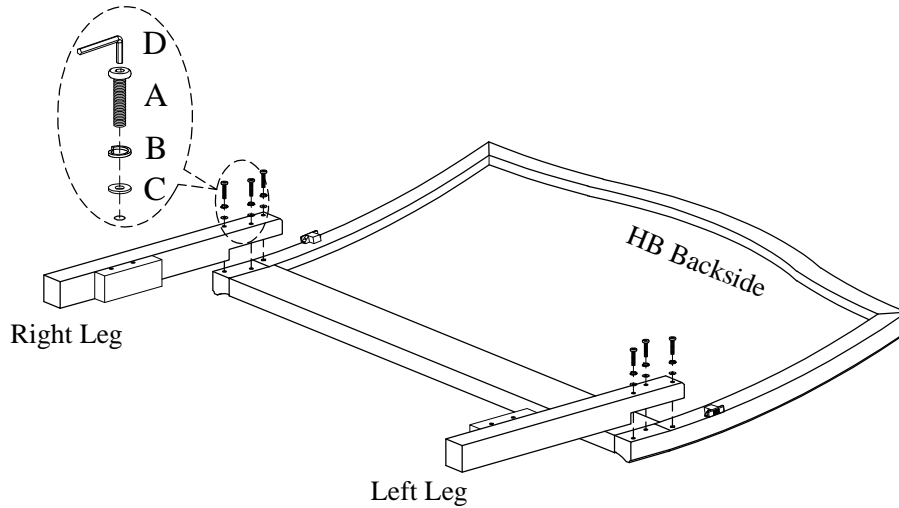
BEFORE USING THIS PRODUCT PLEASE READ, UNDERSTAND, AND FOLLOW THESE INSTRUCTIONS. Save these instructions for future reference.

FOR INDOOR USE ONLY

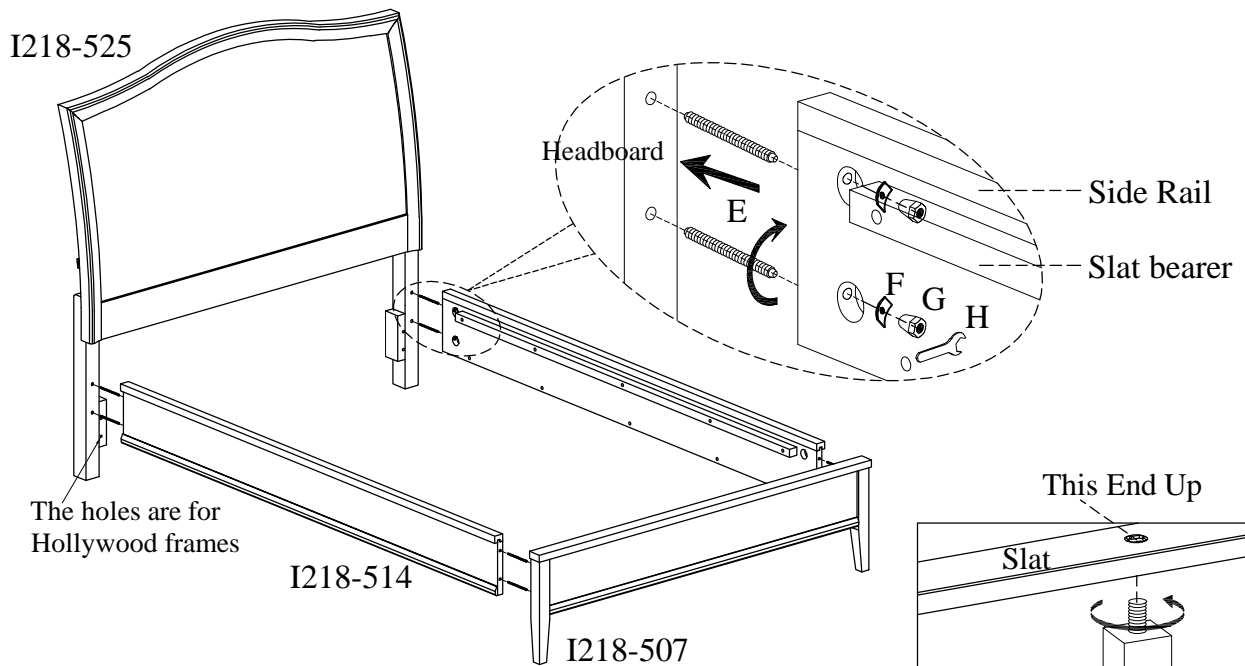


ITEM NO: I218-525-WHT/SHL Full Uph HB
 I218-507-WHT/SHL Full Low Profile FB
 I218-514-WHT/SHL Full Rails w/ Decking

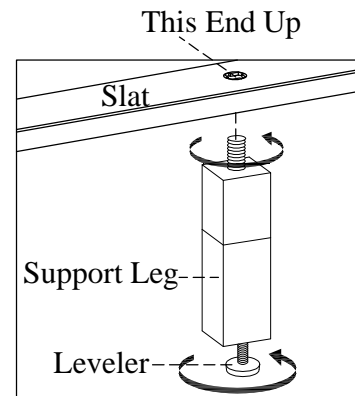
STEP 1: Lay the headboard face down on a soft surface. Attach the left leg and right leg to headboard by using 6 bolts(A), lock washers(B) and flat washers(C).

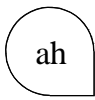


STEP 2: Screw the bolts(E) into HB & FB. Align the bolts with the holes in the end of side rails and attach the side rails to HB & FB using half moon washer(F), and hex nuts (G). Then use a hex wrench to tighten all the nuts.



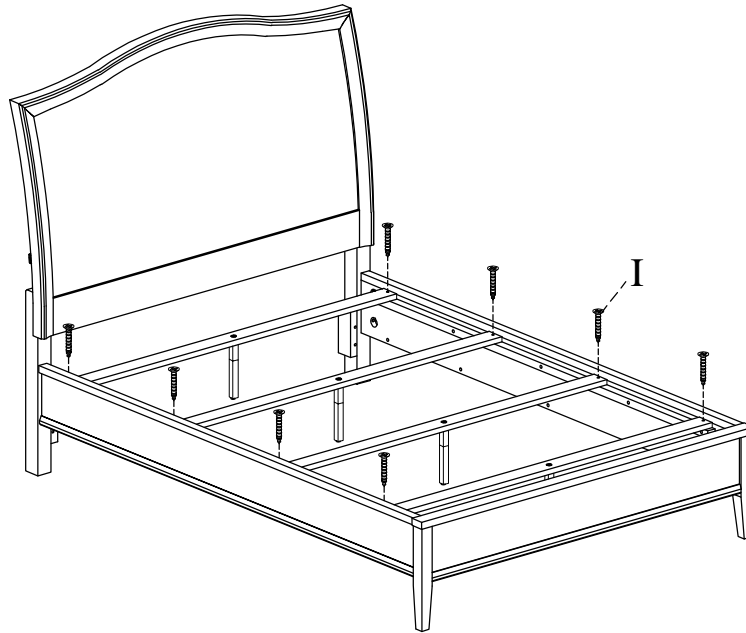
STEP 3: Attach the support legs with leveler to the slats. Adjust the levelers on bottom of support legs when necessary.



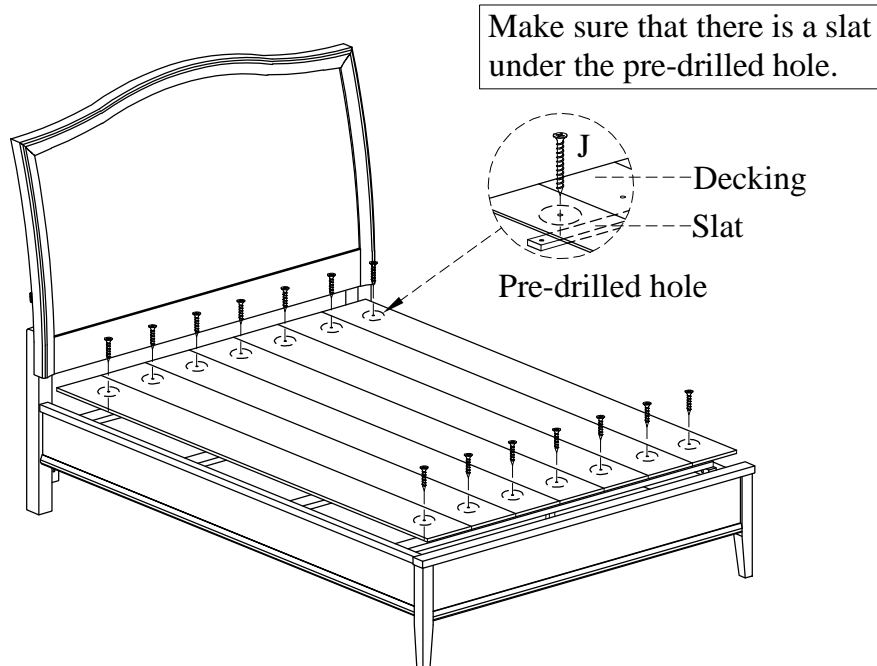


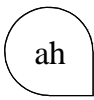
ITEM NO: I218-525-WHT/SHL Full Uph HB
I218-507-WHT/SHL Full Low Profile FB
I218-514-WHT/SHL Full Rails w/ Decking

STEP 4: Arrange slats on the slat bearers and then lay the decking on top of the slats. Make sure the top and bottom slats are situated underneath the pre-drilled holes as shown below in STEP 5. Remove the decking and attach slats to the slat bearers with wood screws (I).



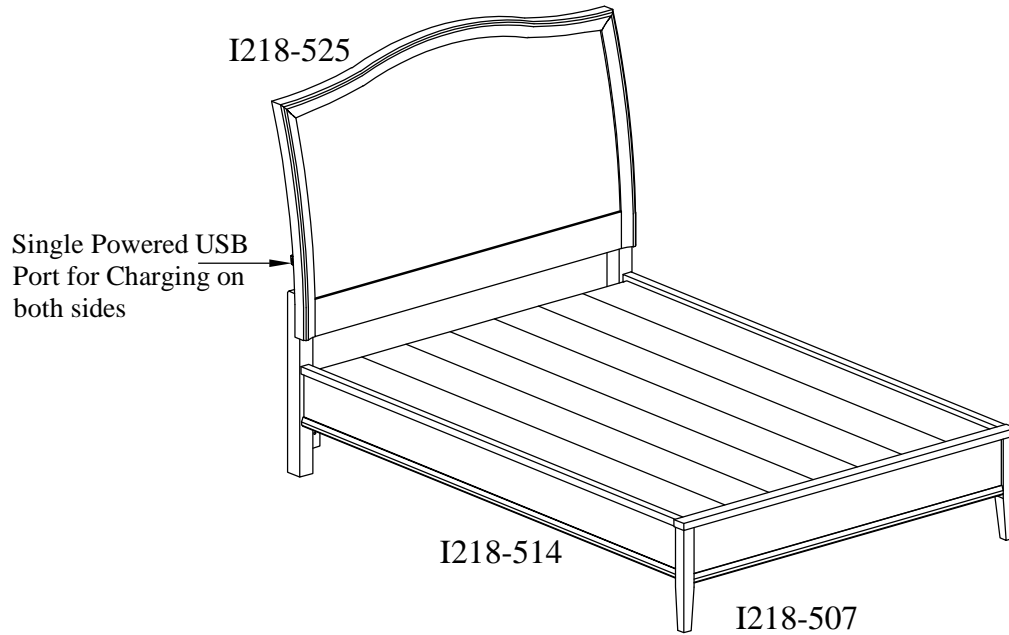
STEP 5: Put the decking over the slats, secure decking to the slats with wood screws (J) through the pre-drilled holes in the decking as shown below.





ITEM NO: I218-525-WHT/SHL Full Uph HB
 I218-507-WHT/SHL Full Low Profile FB
 I218-514-WHT/SHL Full Rails w/ Decking

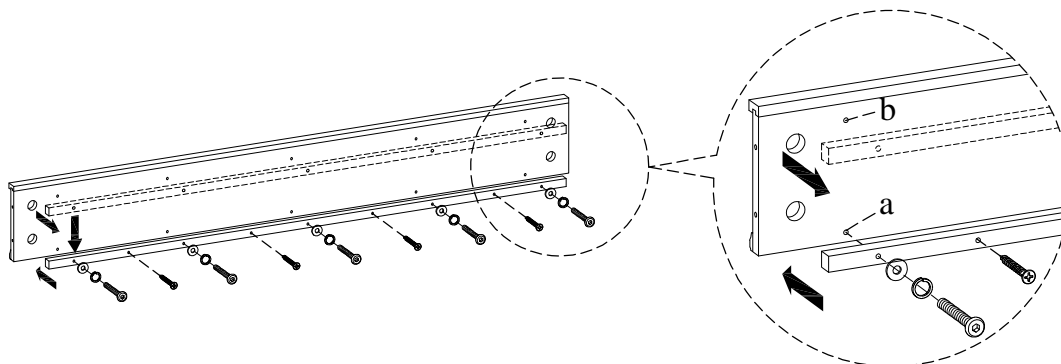
FUNCTIONALITY INSTRUCTION

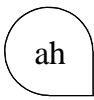


Full Standard Bed

OPTION 2: The side rails may be used on either side. Arrange the side rails so the slat bearers are in LOWER POSITION prior to attachment in STEP 3.

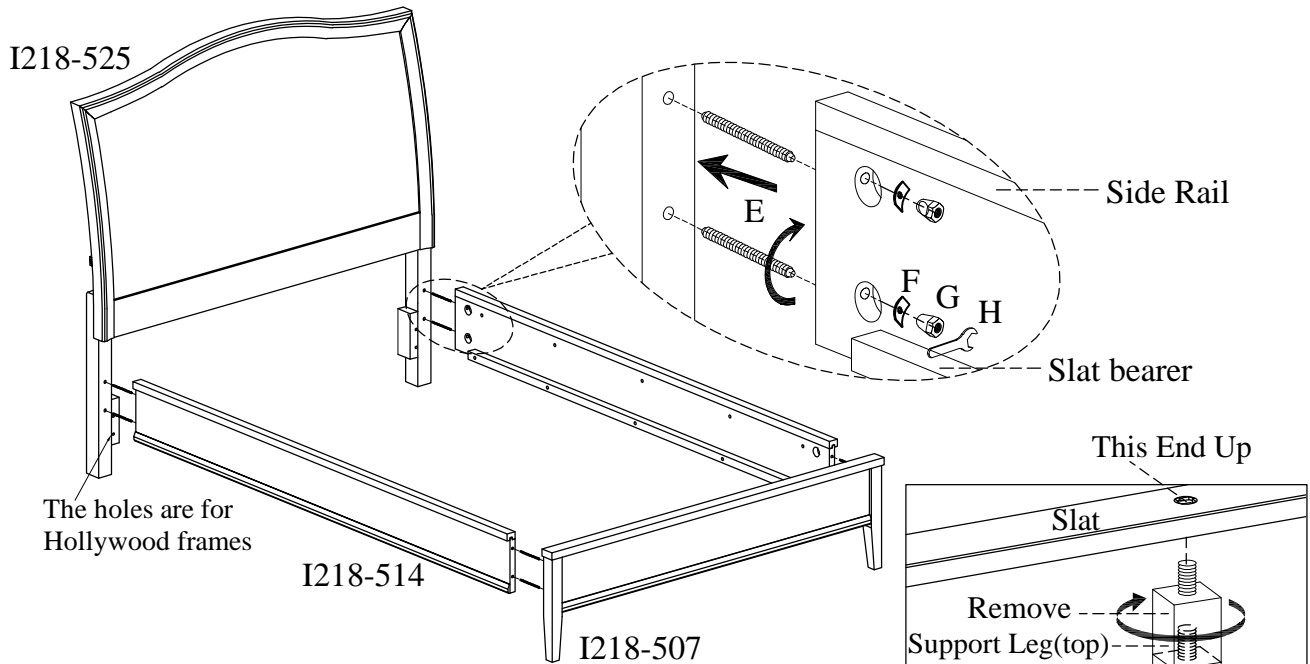
STEP 2: The slat bearers have been attached in position (b) originally. The slat bearers must be moved into position (a) since using more than a mattress on this bed. Remove the bolts and screws from the slat bearers and side rails as shown below. Then re-attach the slat bearers to the side rails in position (a) with bolts, lock washers, flat washers, and screws. **Caution: Do not over tighten bolts as this may loosen the threaded inserts in the side rails.**



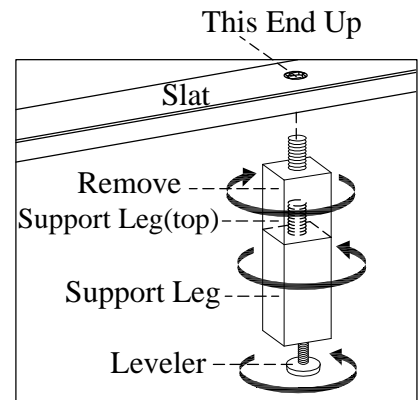


ITEM NO: I218-525-WHT/SHL Full Uph HB
 I218-507-WHT/SHL Full Low Profile FB
 I218-514-WHT/SHL Full Rails w/ Decking

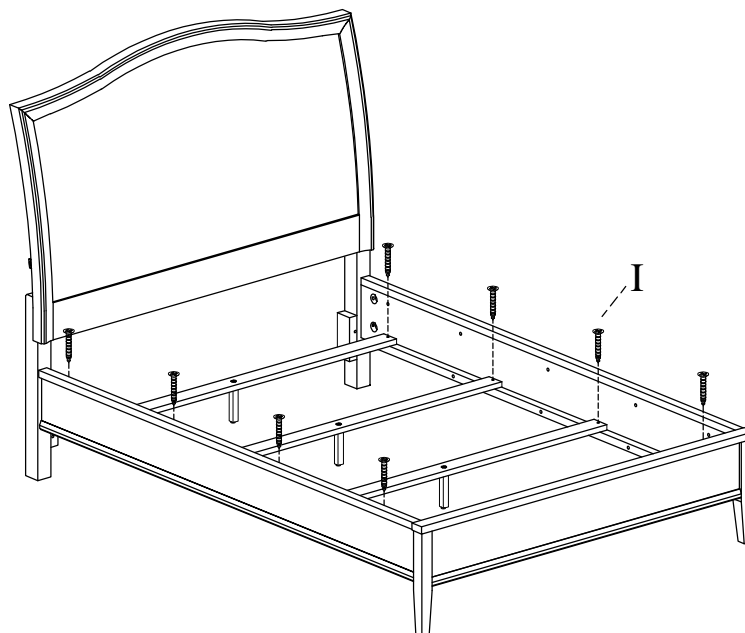
STEP 3: Screw the bolts(E) into HB & FB. Align the bolts with the holes in the end of side rails and attach the side rails to HB & FB using half moon washer(F),and hex nuts (G).Then use a hex wrench to tighten all the nuts.

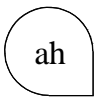


STEP 4: Remove the support legs (top) as shown in the picture to the right. Attach the support legs with leveler to the slats. Adjust the levelers on bottom of support legs when necessary.



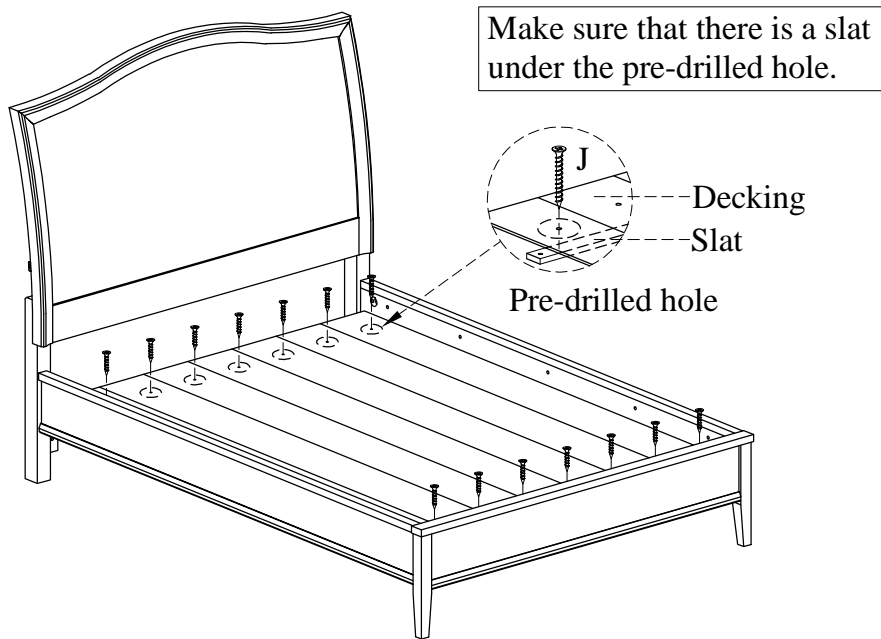
STEP 5: Arrange slats on the slat bearers and then lay the decking on top of the slats. Make sure the top and bottom slats are situated underneath the pre-drilled holes as shown below in STEP 6. Remove the decking and attach slats to the slat bearers with wood screws (I).





ITEM NO: I218-525-WHT/SHL Full Uph HB
 I218-507-WHT/SHL Full Low Profile FB
 I218-514-WHT/SHL Full Rails w/ Decking

STEP 6: Put the decking over the slats, secure decking to the slats with wood screws (J) through the pre-drilled holes in the decking as shown below.



FUNCTIONALITY INSTRUCTION

