



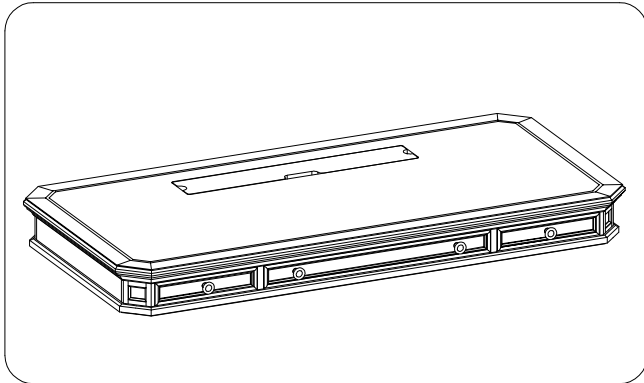
ITEM NO: I242-360T Lift Desk Top (for IUAB-301-2)

Thank you for purchasing this quality product. Be sure to check all packing material carefully for small parts that may come loose inside the carton during shipment.

WARNING! Before using this product, please read, understand, and follow these instructions. Failure to follow each of these assembly instructions precisely may result in damage to the product and / or injury to the consumer.

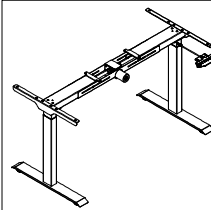
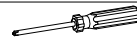


UNIT SHOULD BE INSTALLED BY 2 OR MORE PERSONS.



TOOLS REQUIRED (NOT PROVIDED)

PHILLIPS SCREWDRIVER



Lift Mechanism

Assembly instructions for the Lift Mechanism are in the Lift Mechanism package. Follow the below instructions when attaching desk top to the Lift Mechanism.

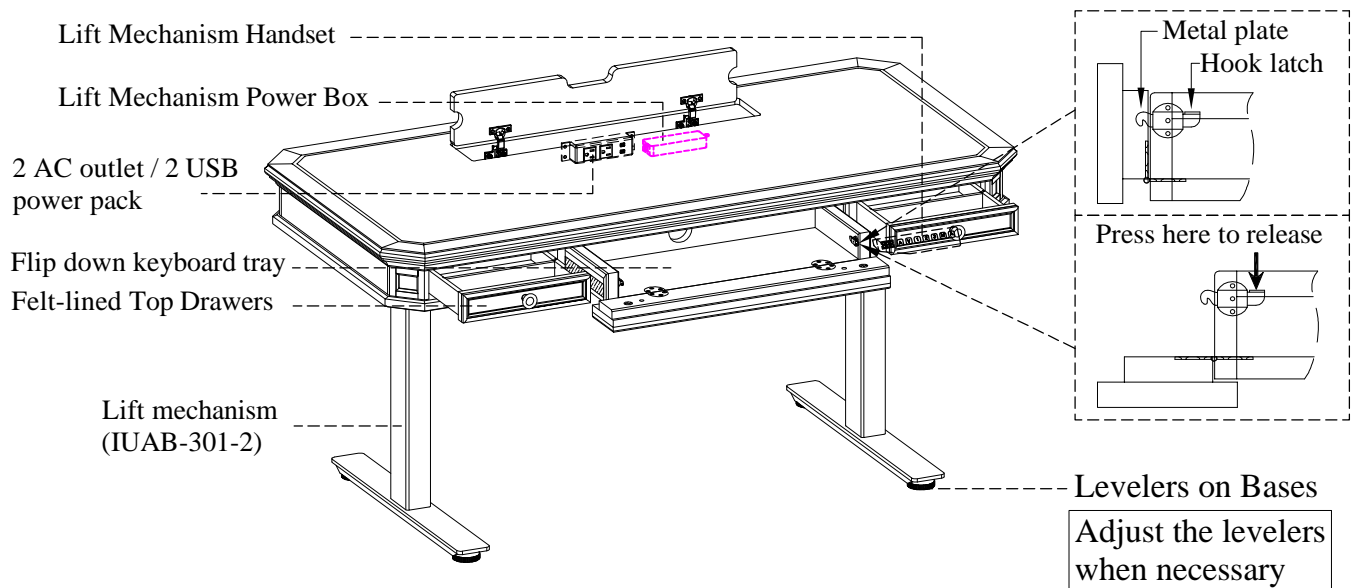
HARDWARE LIST:

No.	Description	Sketch	Quantity
A	Bolt Ø5/16" x 7/8"		8 PCS
B	Lock Washer Ø5/16"		8 PCS
C	Flat Washer Ø5/16"		8 PCS
D	Allen Wrench		1 PC
E	Plastic Wire Clip		6 PCS
F	Wood Screw M4 x 5/8"		10 PCS

COMPONENTS LIST:

No.	Description	Sketch	Quantity
1	Desk Top		1 Set

FUNCTIONALITY INSTRUCTION



FOR INDOOR USE ONLY

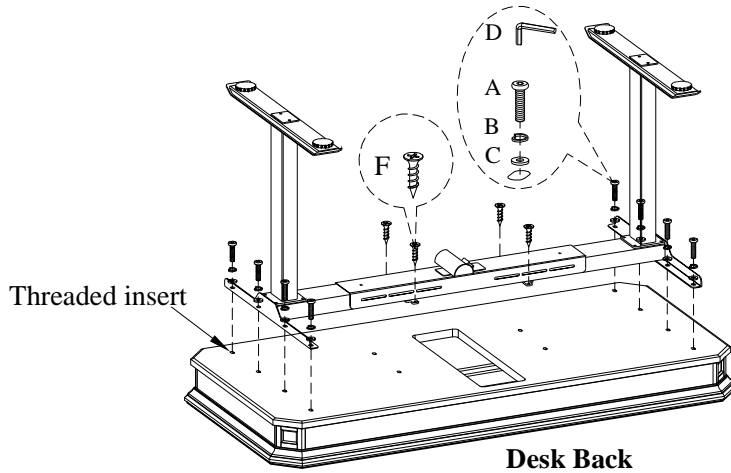


ITEM NO: I242-360T Lift Desk Top (for IUAB-301-2)

STEP 1: Put the desk top face down on a soft surface.

STEP 2: Place Lift Mechanism IUAB-301-2 on desk top and adjust to align with threaded inserts. Follow Step 3 from the IUAB-301-2 assembly instructions for adjusting width of Lift Mechanism.

STEP 3: Secure Lift Mechanism IUAB-301-2 to desk top by using 8 bolts (A), lock washers (B), flat washers (C) and 4 wood screws (F). Then use an allen wrench to tighten all the bolts.



STEP 4: Tighten bolts that were loosened in Step 3 from the IUAB-301-2 assembly instructions.

STEP 5: Attach Lift Mechanism Power Box and Handset ("5" and "6" on the component list for lift desk mechanism) to the desired positions with screws ("A" on the hardware bag for lift desk mechanism).

STEP 6: Follow Step 5 from the IUAB-301-2 assembly instructions.

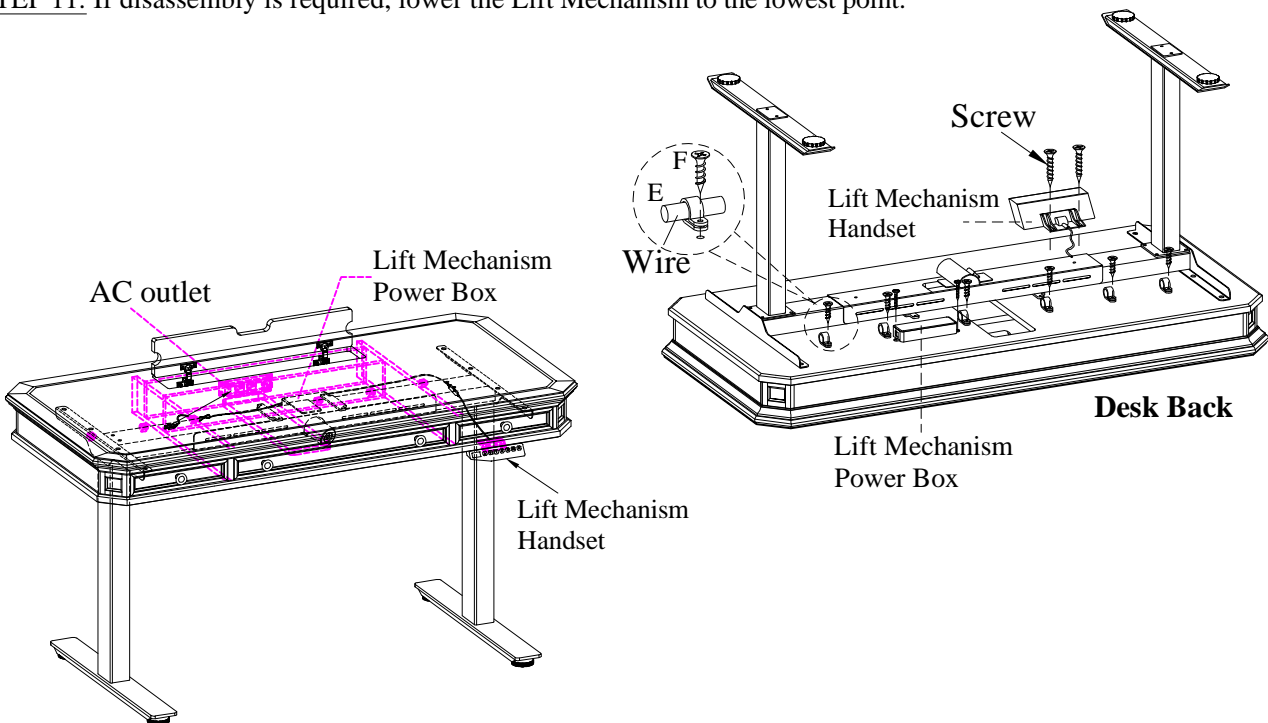
STEP 7: Clip the wire into the plastic wire clips, attach the plastic wire clips (E) to the right position with screws (F).

STEP 8: Turn the assembled desk to the upright position.

STEP 9: Connect the appropriate wires leading from the motor and Handset to the Lift Mechanism Power Box.

STEP 10: Plug in the Power Box to an AC outlet.

STEP 11: If disassembly is required, lower the Lift Mechanism to the lowest point.



Note: Refer to Lift Mechanism assembly instructions for Handset operation.