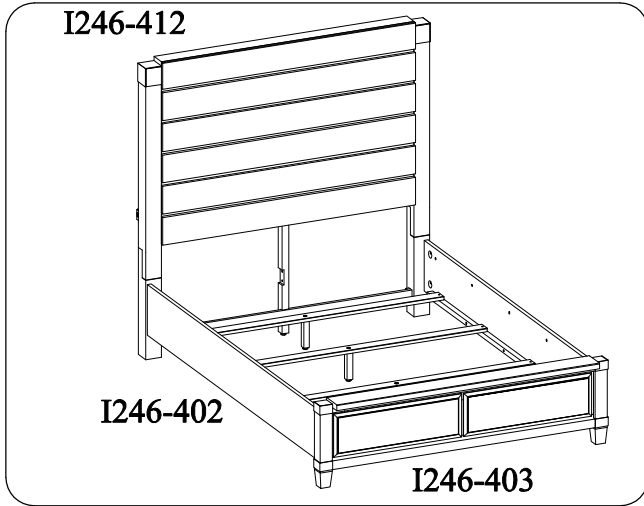


ITEM NO: I246-412      Queen Panel HB  
 I246-402      Queen Rails  
 I246-403      Queen Low Profile FB

Thank you for purchasing this quality product. Be sure to check all packing material carefully for small parts that may come loose inside the carton during shipment.



**UNIT SHOULD BE INSTALLED BY 2 OR MORE PERSONS.**



All Beds need to be set up in the exact final location so that after full assembly it will not need to be moved. Moving the bed will cause the support legs to move out of perpendicular (90 degree), weaken the support system, and may allow the bed to collapse.

<b>TOOLS REQUIRED (NOT PROVIDED)</b>
<b>PHILLIPS SCREWDRIVER</b>

HARDWARE LIST: I246-412			
No.	Description	Sketch	Quantity
A	Bolt Ø5/16" x 1-1/2"		4 PCS
B	Bolt Ø5/16" x 2-3/8"		6 PCS
C	Lock Washer Ø5/16"		10 PCS
D	Flat Washer Ø5/16" x 3/4"		10 PCS
E	Allen Wrench		1 PC
F	Bolt Ø1/4" x 1-1/4"		4 PCS
G	Lock Washer Ø1/4"		4 PCS
H	Flat Washer Ø1/4" x 3/4"		4 PCS

COMPONENTS LIST: I246-412			
No.	Description	Sketch	Quantity
1	Headboard		1 PC
2	Left Leg		1 PC
3	Right Leg		1 PC
4	Wood Stretcher		1 PC
5	Center Support Leg		1 PC

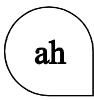
HARDWARE LIST: I246-402			
No.	Description	Sketch	Quantity
I	Hanger Bolt Ø5/16" x 3"		8 PCS
J	Half Moon Washer Ø5/16"		8 PCS
K	Hex Nut Ø5/16"		8 PCS
L	Hex Wrench 13mm		1 PC
M	Wood Screw #4 x 1-1/4"		8 PCS

COMPONENTS LIST: I246-402			
No.	Description	Sketch	Quantity
1	Bed rails		2 PCS
2	Slats		4 PCS

COMPONENTS LIST: I246-403			
No.	Description	Sketch	Quantity
1	Footboard		1 PC
2	Support Leg (for slats)		4 PCS

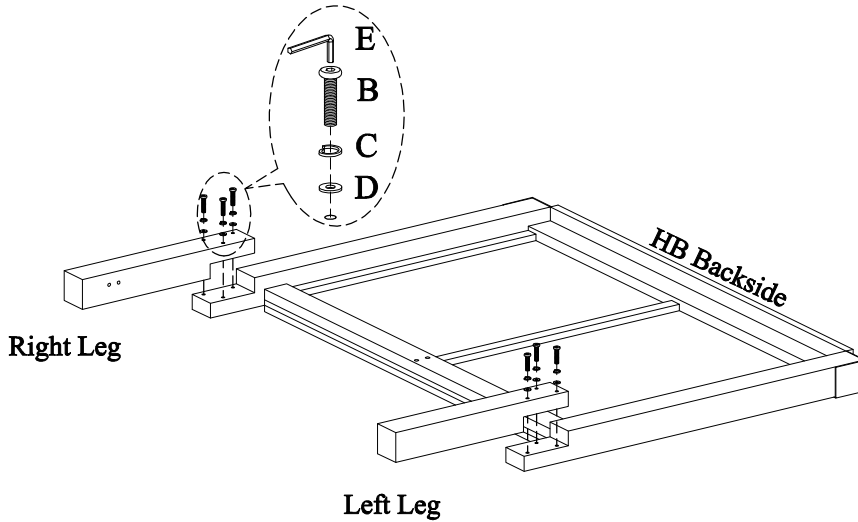
**BEFORE USING THIS PRODUCT PLEASE READ, UNDERSTAND, AND FOLLOW THESE INSTRUCTIONS.**  
 Save these instructions for future reference.

**FOR INDOOR USE ONLY**

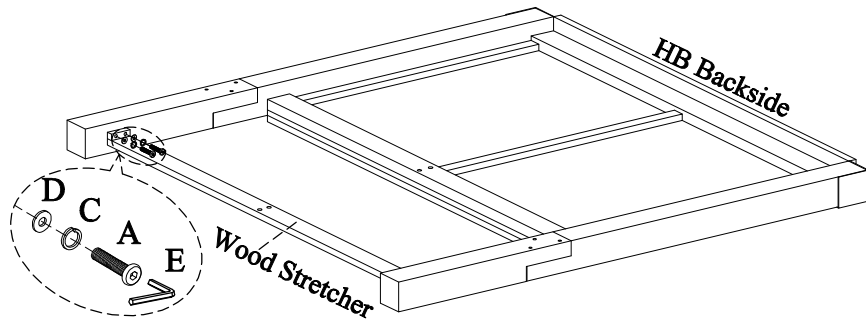


ITEM NO: I246-412      Queen Panel HB  
 I246-402              Queen Rails  
 I246-403              Queen Low Profile FB

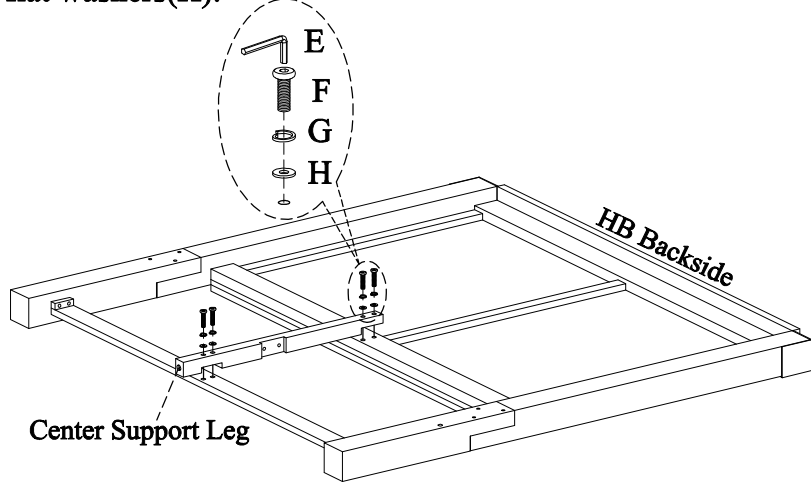
**STEP 1:** Lay the headboard face down on a soft surface. Attach the left leg and right leg to headboard by using 6 bolts(B), lock washers(C) and flat washers(D).

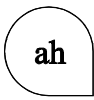


**STEP 2:** Attach the wood stretcher to the legs by using 4 bolts(A), lock washers(C) and flat washers(D).



**STEP 3:** Attach the center support leg to headboard and wood stretcher by using 4 bolts(F), lock washers(G) and flat washers(H).

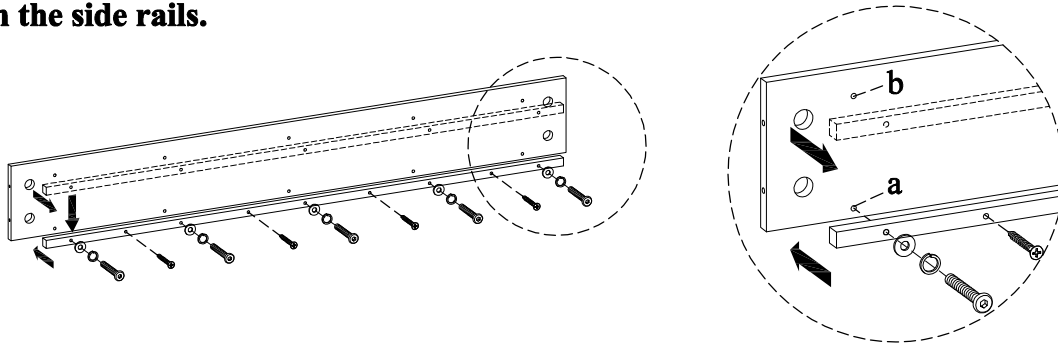




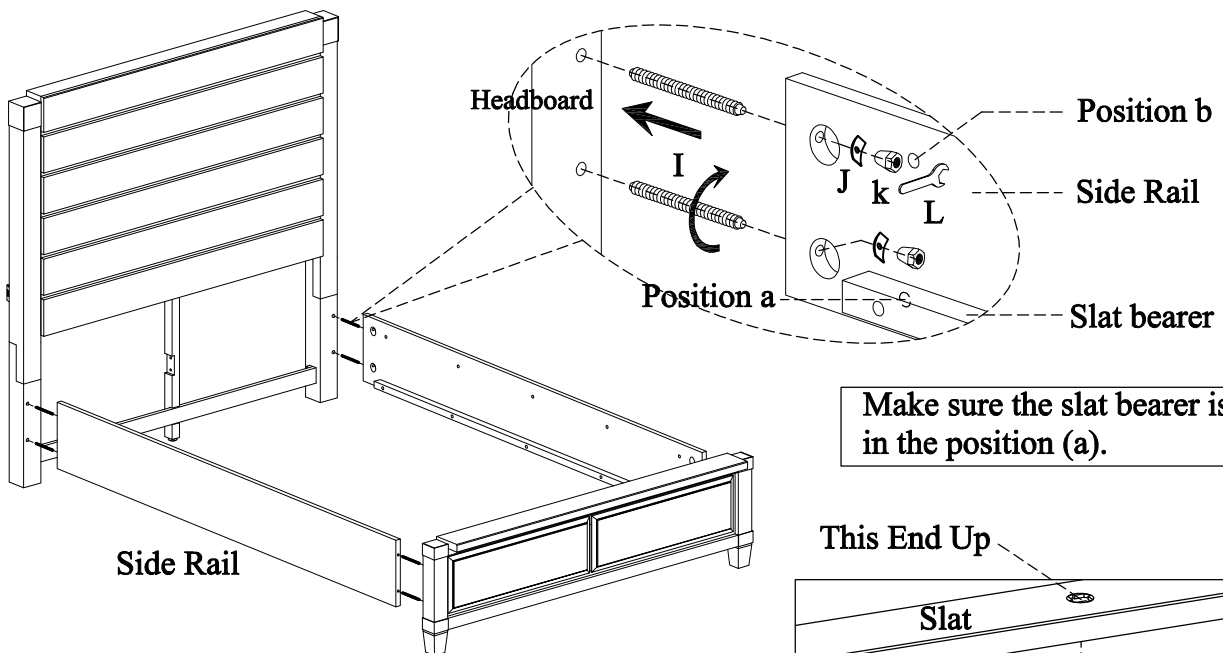
ITEM NO: I246-412  
I246-402  
I246-403

Queen Panel HB  
Queen Rails  
Queen Low Profile FB

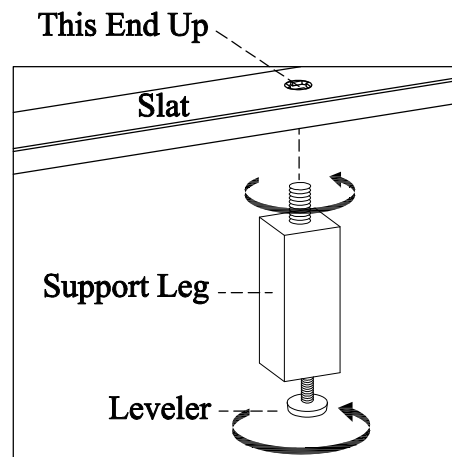
**STEP 4:** The slat bearers have been attached in position (b) approximately 2" from the top of the side rails for use with a storage footboard. The slat bearers must be moved into position (a) based on this bed configuration. Remove the bolts and screws from the slat bearers and side rails as shown below. Then re-attach the slat bearers to the side rails in position (a) with bolts, lock washers, flat washers, and screws. **Caution: Do not over tighten bolts as this may loosen the threaded inserts in the side rails.**

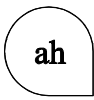


**STEP 5:** Screw the bolts(I) into HB & FB. Make sure the slat bearer is in the position (a). Align the bolts with the holes in the end of side rails and attach the side rails to HB & FB using half moon washer(J), and hex nuts (K). Then use a hex wrench to tighten all the nuts.



**STEP 6:** Attach the support legs with leveler to the slats. Adjust the levelers on bottom of support legs when necessary.

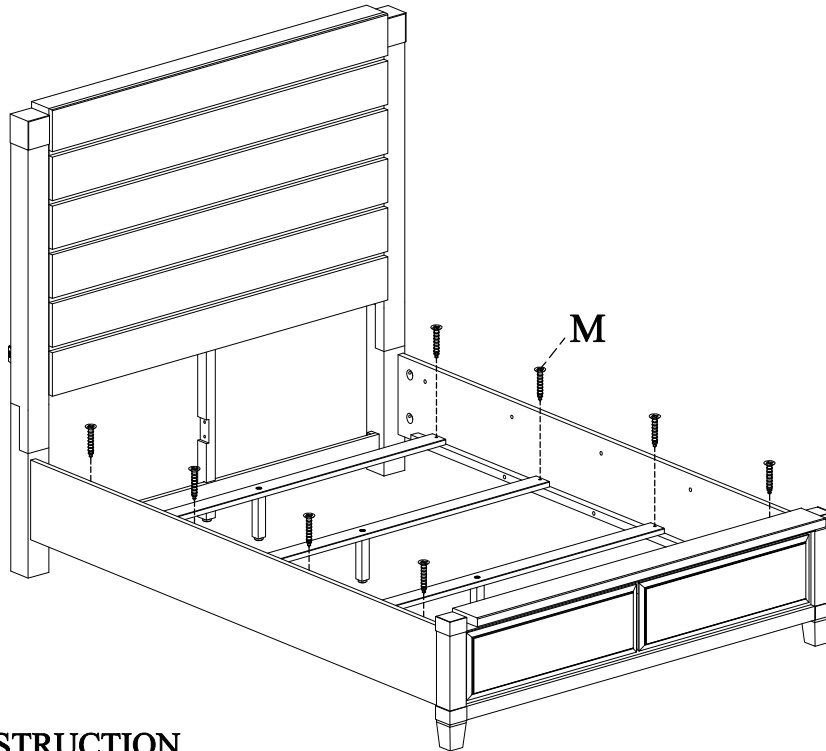




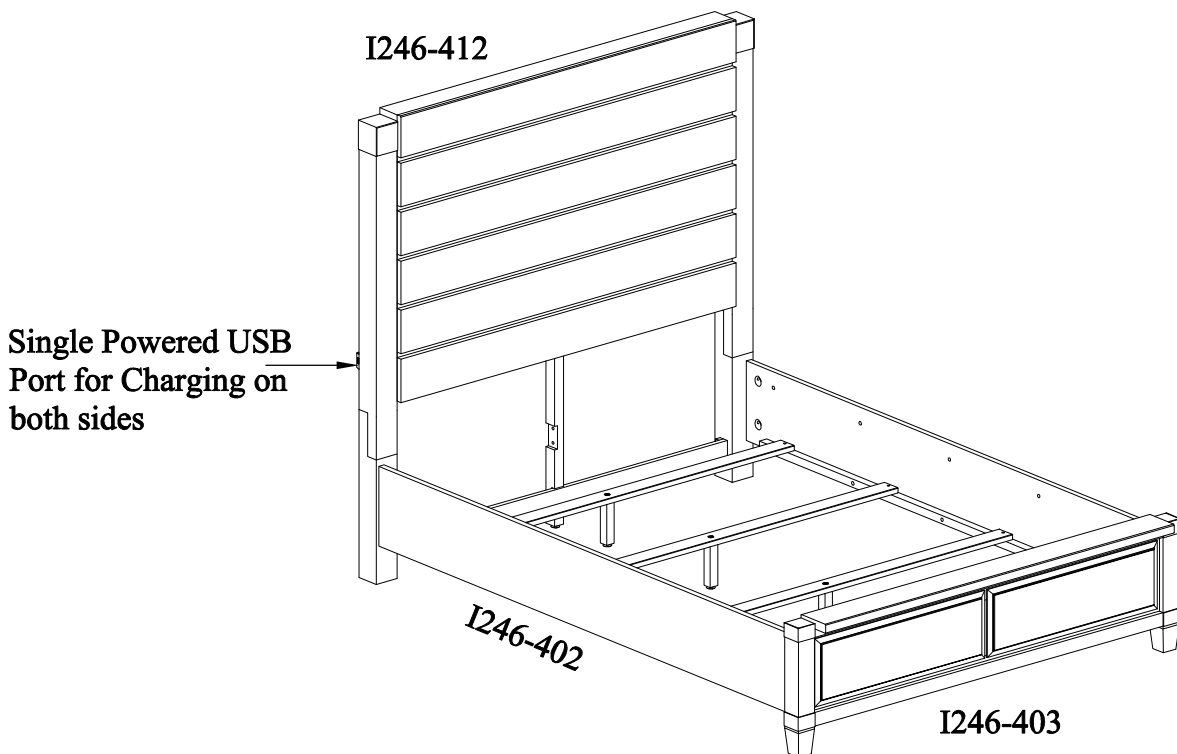
ITEM NO: I246-412  
I246-402  
I246-403

Queen Panel HB  
Queen Rails  
Queen Low Profile FB

**STEP 7:** Arrange the slats on the slat bearers equally and attach to the slat bearers with wood screws (M).



### FUNCTIONALITY INSTRUCTION



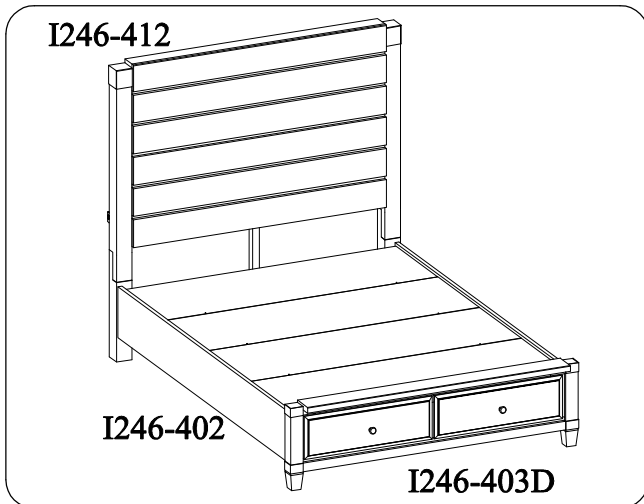


ITEM NO: I246-412      Queen Panel HB  
 I246-402              Queen Rails  
 I246-403D            Queen Storage FB

Thank you for purchasing this quality product. Be sure to check all packing material carefully for small parts that may come loose inside the carton during shipment.



**UNIT SHOULD BE INSTALLED BY 2 OR MORE PERSONS.**



All Beds need to be set up in the exact final location so that after full assembly it will not need to be moved. Moving the bed will cause the support legs to move out of perpendicular (90 degree), weaken the support system, and may allow the bed to collapse.

**TOOLS REQUIRED (NOT PROVIDED)**  
**PHILLIPS SCREWDRIVER**

**HARDWARE LIST: I246-412**

No.	Description	Sketch	Quantity
A	Bolt Ø5/16" x 1-1/2"		4 PCS
B	Bolt Ø5/16" x 2-3/8"		6 PCS
C	Lock Washer Ø5/16"		10 PCS
D	Flat Washer Ø5/16" x 3/4"		10 PCS
E	Allen Wrench 4mm		1 PC
F	Bolt Ø1/4" x 1-1/4"		4 PCS
G	Lock Washer Ø1/4"		4 PCS
H	Flat Washer Ø1/4" x 3/4"		4 PCS

**HARDWARE LIST: I246-402**

No.	Description	Sketch	Quantity
I	Hanger Bolt Ø5/16" x 3"		8 PCS
J	Half Moon Washer Ø5/16"		8 PCS
K	Hex Nut Ø5/16"		8 PCS
L	Hex Wrench 13mm		1 PC
M	Wood Screw #4 x 1-1/4"		8 PCS

**HARDWARE LIST: I246-403D**

No.	Description	Sketch	Quantity
N	Bolt Ø1/4" x 1-1/4"		8 PCS
O	Lock Washer Ø1/4"		8 PCS
P	Flat Washer Ø1/4" x 3/4"		8 PCS
Q	Allen Wrench 4mm		1 PC
R	Wood Screw #4 x 1"		8 PCS

**COMPONENTS LIST: I246-412**

No.	Description	Sketch	Quantity
1	Headboard		1 PC
2	Left Leg		1 PC
3	Right Leg		1 PC
4	Wood Stretcher		1 PC
5	Center Support Leg		1 PC

**COMPONENTS LIST: I246-402**

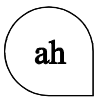
No.	Description	Sketch	Quantity
1	Bed rails		2 PCS
2	Slats		4 PCS

**COMPONENTS LIST: I246-403D**

No.	Description	Sketch	Quantity
1	Footboard		1 PC
2	Support Leg (for center rail)		2 PCS
3	Decking		4 PCS
4	Center rail		1 PC

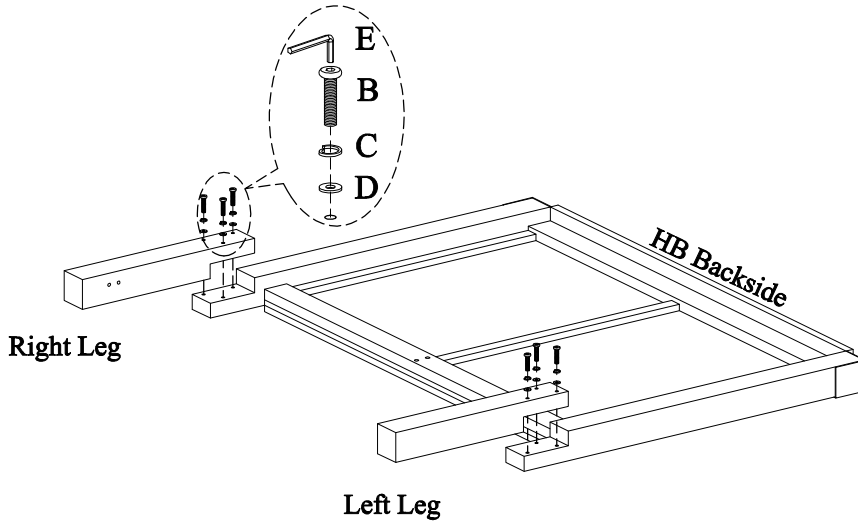
**BEFORE USING THIS PRODUCT PLEASE READ, UNDERSTAND, AND FOLLOW THESE INSTRUCTIONS.**  
 Save these instructions for future reference.

FOR INDOOR USE ONLY

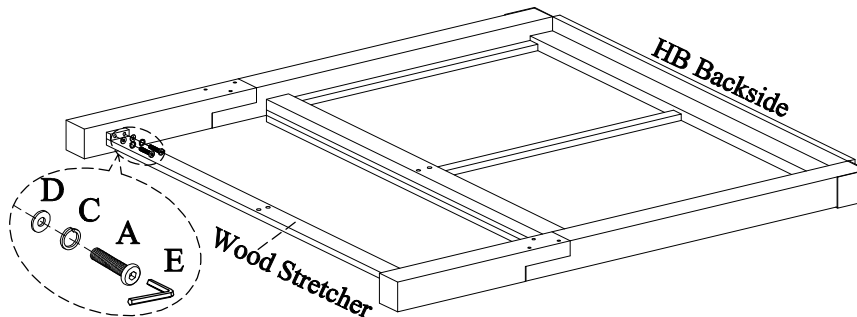


ITEM NO: I246-412      Queen Panel HB  
I246-402              Queen Rails  
I246-403D             Queen Storage FB

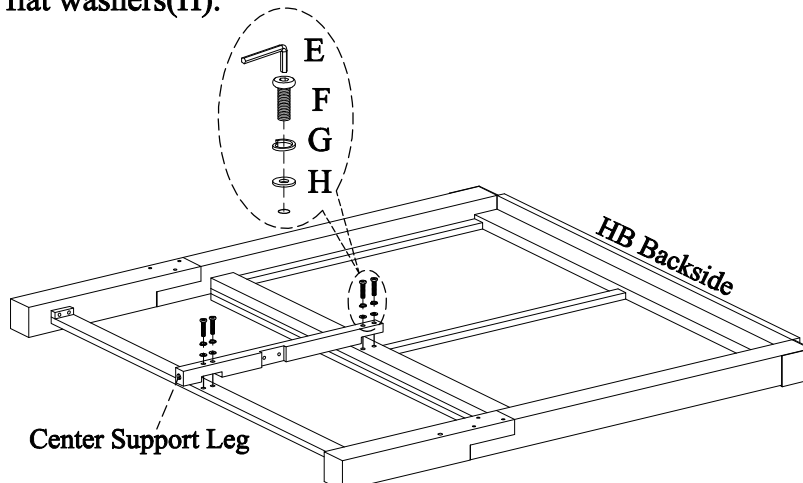
**STEP 1:** Lay the headboard face down on a soft surface. Attach the left leg and right leg to headboard by using 6 bolts(B), lock washers(C) and flat washers(D).



**STEP 2:** Attach the wood stretcher to the legs by using 4 bolts(A), lock washers(C) and flat washers(D).



**STEP 3:** Attach the center support leg to headboard and wood stretcher by using 4 bolts(F), lock washers(G) and flat washers(H).

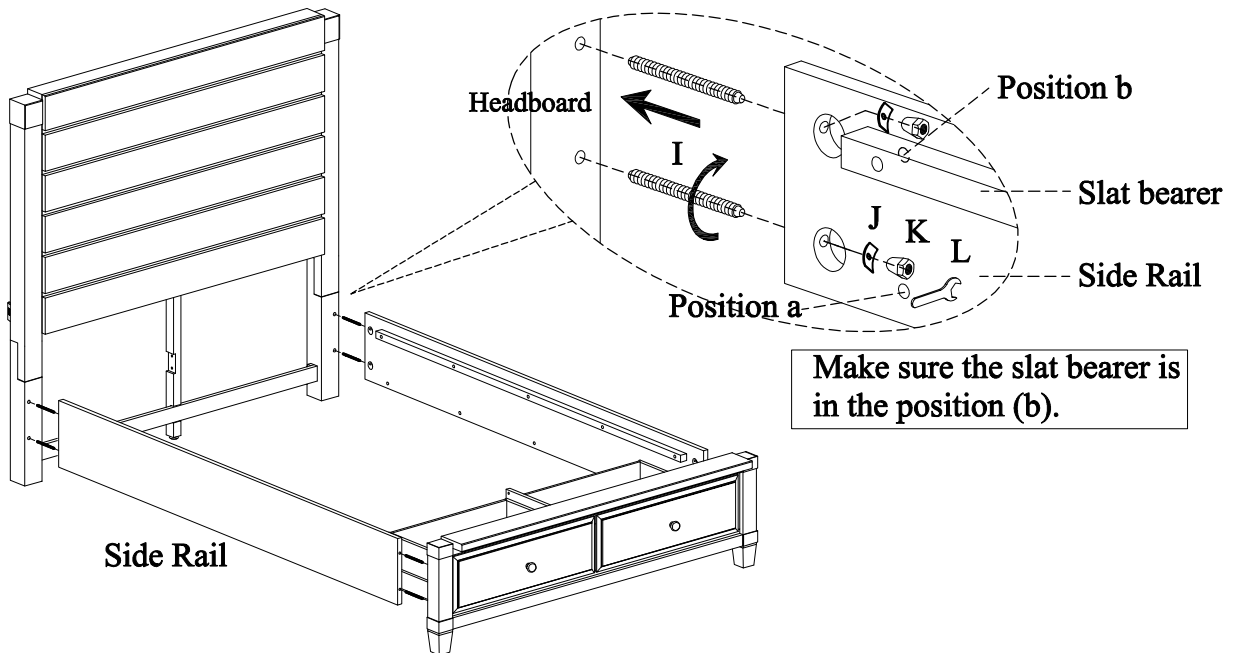




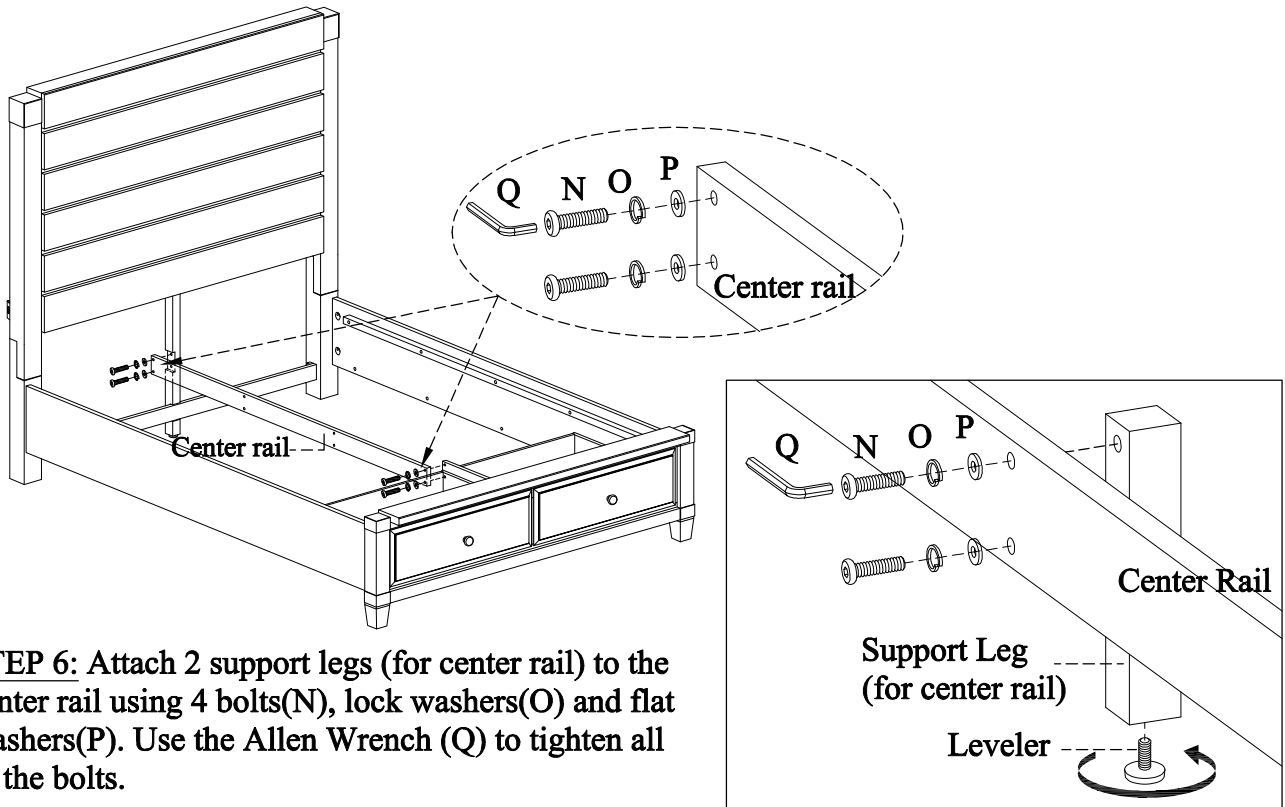
ITEM NO: I246-412  
I246-402  
I246-403D

Queen Panel HB  
Queen Rails  
Queen Storage FB

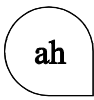
**STEP 4:** Screw the bolts(I) into HB & FB. Make sure the slat bearer is in the position (b). Align the bolts with the holes in the end of side rails and attach the side rails to HB & FB using half moon washers(J) and hex nuts (K). Then use a hex wrench to tighten all the nuts.



**STEP 5:** Attach center rail to the footboard and center support leg of headboard using 4 bolts(N), lock washers(O) and flat washers(P).



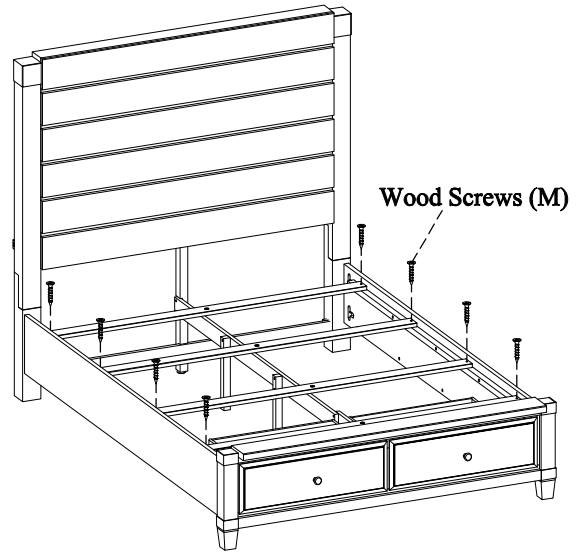
**STEP 6:** Attach 2 support legs (for center rail) to the center rail using 4 bolts(N), lock washers(O) and flat washers(P). Use the Allen Wrench (Q) to tighten all of the bolts.



ITEM NO: I246-412  
I246-402  
I246-403D

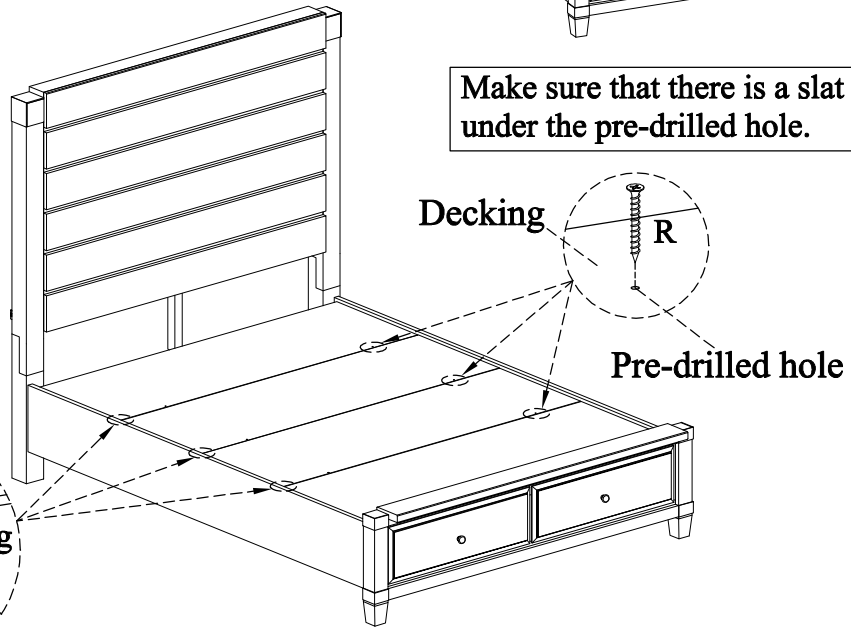
Queen Panel HB  
Queen Rails  
Queen Storage FB

**STEP 7:** Arrange slats on the slat bearers and then lay decking on top of the slats. Make sure the slats are positioned along the seams of the decking as shown in the detail in STEP 8 under the pre-drilled hole. Remove the decking and attach slats to the slat bearers with wood screws (M).

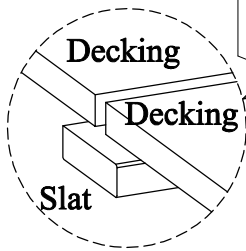


**STEP 8:** Put the decking over the slats, secure decking to the slats with wood screws (R) through the pre-drilled holes in the decking as shown below.

Make sure that there is a slat under the pre-drilled hole.



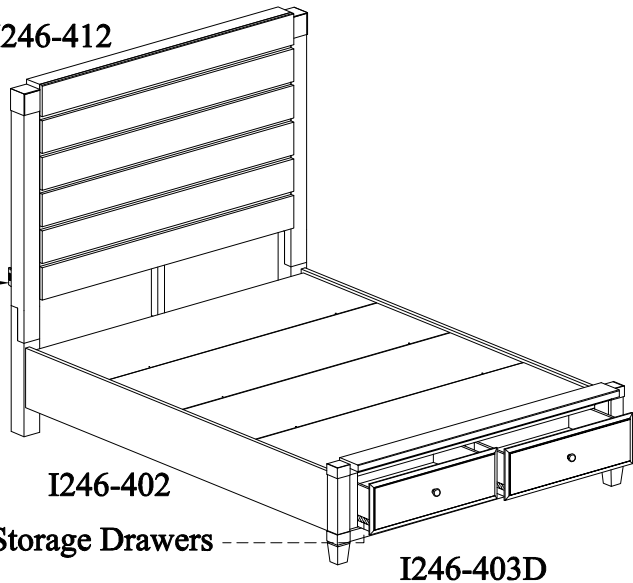
The slat should support both pieces of decking.



### FUNCTIONALITY INSTRUCTION

Single Powered USB Port for Charging on both sides

I246-412



I246-402

Cedar-lined Storage Drawers

I246-403D



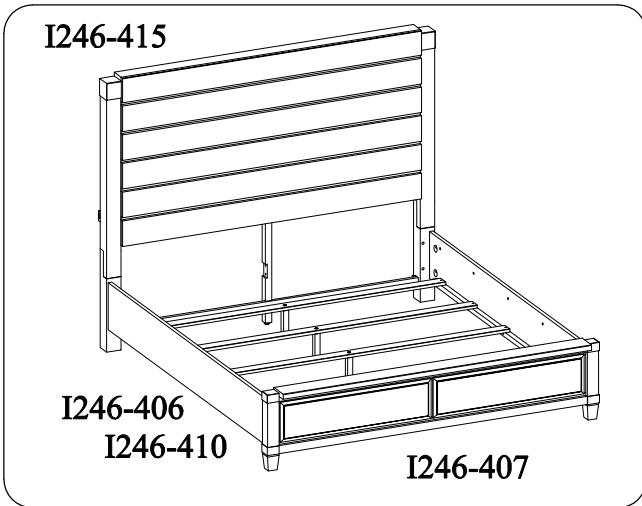


ITEM NO: I246-415      King Panel HB  
 I246-406      King Rails  
 I246-410      Cal King Rails  
 I246-407      King Low Profile FB

Thank you for purchasing this quality product. Be sure to check all packing material carefully for small parts that may come loose inside the carton during shipment.



**UNIT SHOULD BE INSTALLED BY 2 OR MORE PERSONS.**



All Beds need to be set up in the exact final location so that after full assembly it will not need to be moved. Moving the bed will cause the support legs to move out of perpendicular (90 degree), weaken the support system, and may allow the bed to collapse.

**TOOLS REQUIRED (NOT PROVIDED)**  
**PHILLIPS SCREWDRIVER**

HARDWARE LIST: I246-415			
No.	Description	Sketch	Quantity
A	Bolt Ø5/16" x 1-1/2"		4 PCS
B	Bolt Ø5/16" x 2-3/8"		6 PCS
C	Lock Washer Ø5/16"		10 PCS
D	Flat Washer Ø5/16" x 3/4"		10 PCS
E	Allen Wrench		1 PC
F	Bolt Ø1/4" x 1-1/4"		4 PCS
G	Lock Washer Ø1/4"		4 PCS
H	Flat Washer Ø1/4" x 3/4"		4 PCS

HARDWARE LIST: I246-406/410			
No.	Description	Sketch	Quantity
I	Hanger Bolt Ø5/16" x 3"		8 PCS
J	Half Moon Washer Ø5/16"		8 PCS
K	Hex Nut Ø5/16"		8 PCS
L	Hex Wrench 13mm		1 PC
M	Wood Screw #4 x 1-1/4"		10 PCS
N	Wood Cap (only for 410)		8 PCS

COMPONENTS LIST: I246-415			
No.	Description	Sketch	Quantity
1	Headboard		1 PC
2	Left Leg		1 PC
3	Right Leg		1 PC
4	Wood Stretcher		1 PC
5	Center Support Leg		1 PC

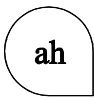
COMPONENTS LIST: I246-406			
No.	Description	Sketch	Quantity
1	Bed rails		2 PCS
2	Slats		5 PCS

COMPONENTS LIST: I246-410			
No.	Description	Sketch	Quantity
1	Bed rails		2 PCS
2	Slats		5 PCS
3	Center rail (Long)		1 PC

COMPONENTS LIST: I246-407			
No.	Description	Sketch	Quantity
1	Footboard		1 PC
2	Support Leg (for slats)		5 PCS

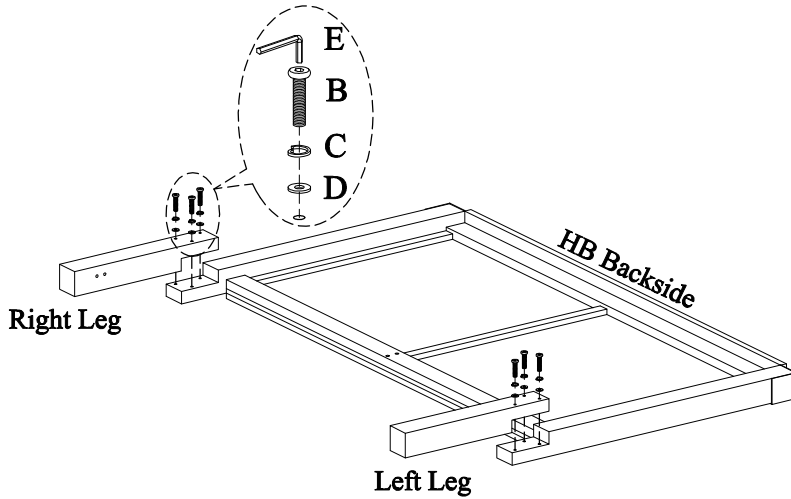
**BEFORE USING THIS PRODUCT PLEASE READ, UNDERSTAND, AND FOLLOW THESE INSTRUCTIONS.**  
 Save these instructions for future reference.

**FOR INDOOR USE ONLY**

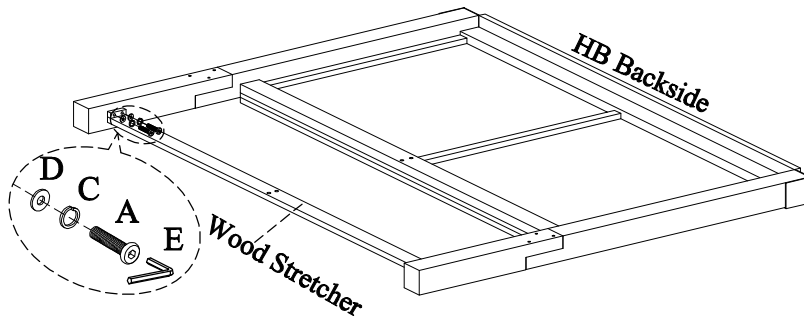


- |                   |                     |
|-------------------|---------------------|
| ITEM NO: I246-415 | King Panel HB       |
| I246-406          | King Rails          |
| I246-410          | Cal King Rails      |
| I246-407          | King Low Profile FB |

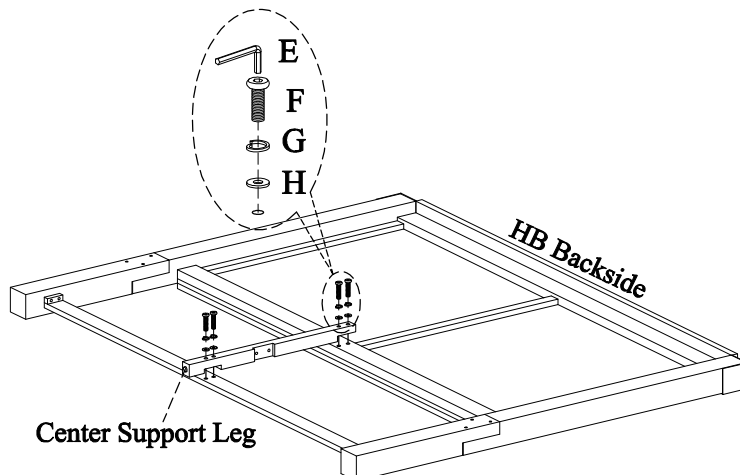
**STEP 1:** Lay the headboard face down on a soft surface. Attach the left leg and right leg to headboard by using 6 bolts(B), lock washers(C) and flat washers(D).



**STEP 2:** Attach the wood stretcher to the legs by using 4 bolts(A), lock washers(C) and flat washers(D).



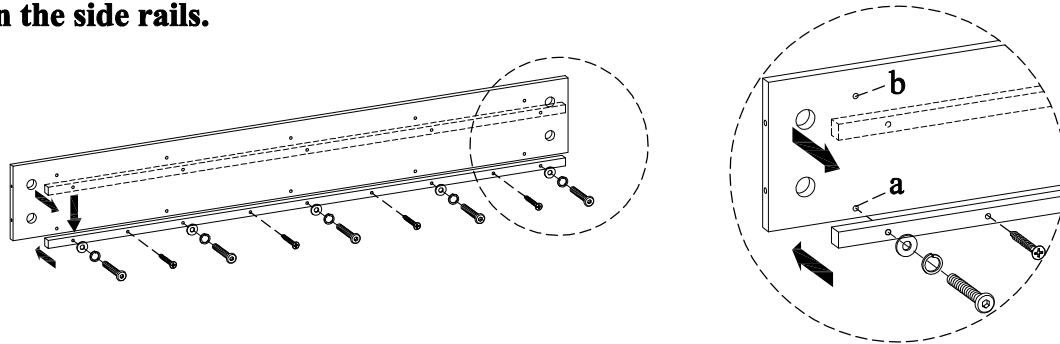
**STEP 3:** Attach the center support leg to headboard and wood stretcher by using 4 bolts(F), lock washers(G) and flat washers(H).



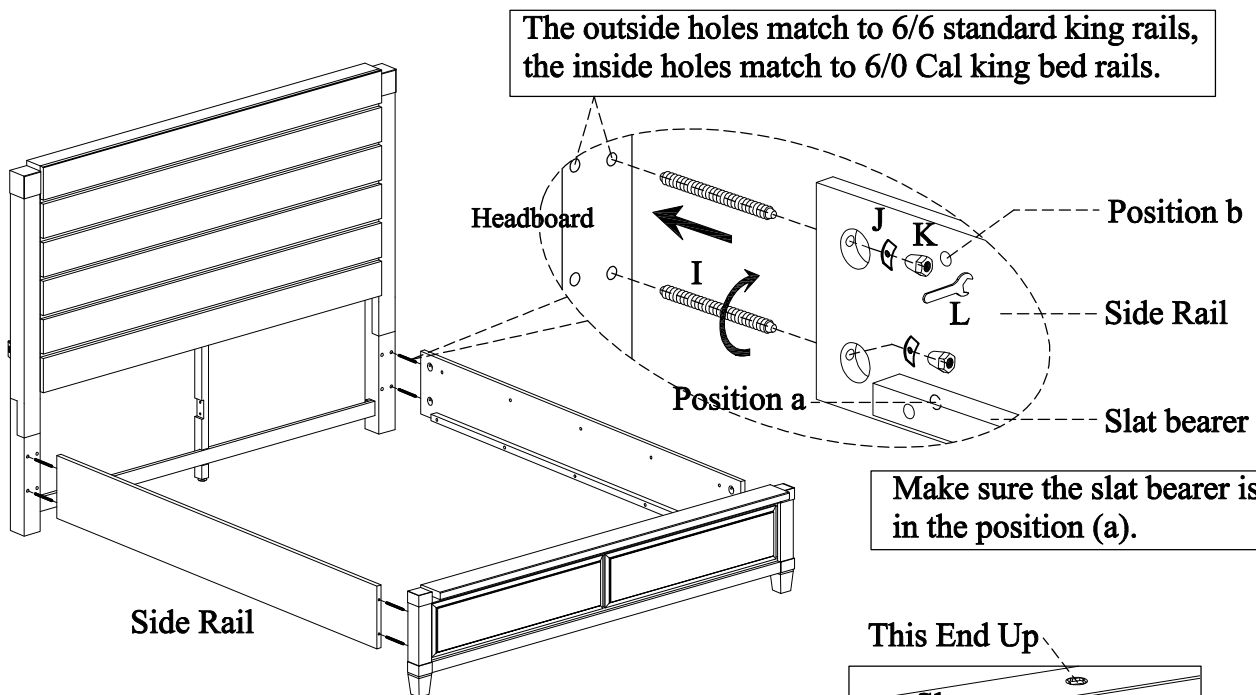


ITEM NO: I246-415      King Panel HB  
 I246-406      King Rails  
 I246-410      Cal King Rails  
 I246-407      King Low Profile FB

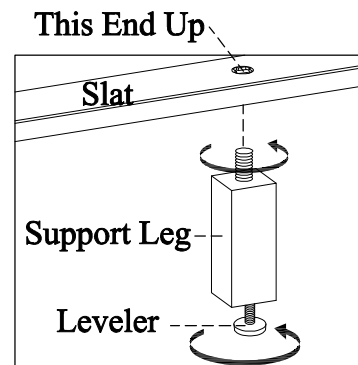
**STEP 4:** The slat bearers have been attached in position (b) approximately 2" from the top of the side rails for use with a storage footboard. The slat bearers must be moved into position (a) based on this bed configuration. Remove the bolts and screws from the slat bearers and side rails as shown below. Then re-attach the slat bearers to the side rails in position (a) with bolts, lock washers, flat washers, and screws. **Caution: Do not over tighten bolts as this may loosen the threaded inserts in the side rails.**



**STEP 5:** Screw the bolts(I) into HB & FB. Make sure the slat bearer is in the position (a). Align the bolts with the holes in the end of side rails and attach the side rails to HB & FB using half moon Washer(J) and hex nuts (K). Then use a hex wrench to tighten all the nuts.



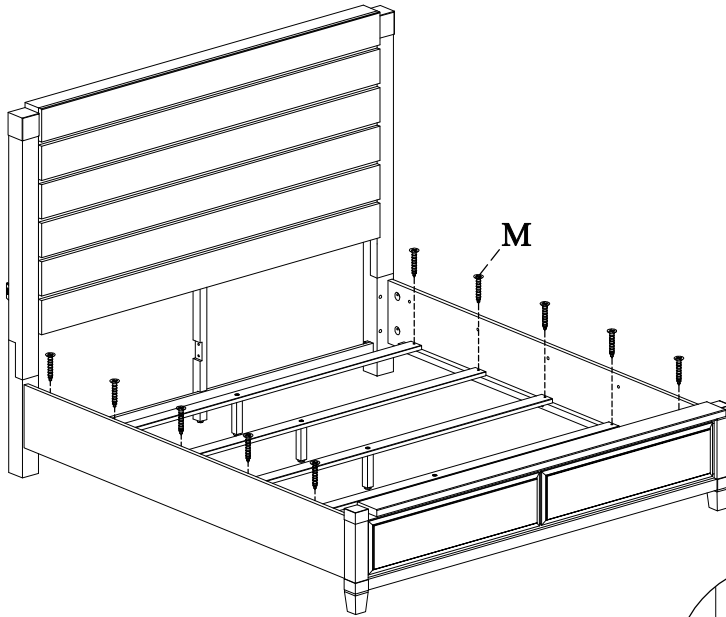
**STEP 6:** Attach the support legs with leveler to the slats. Adjust the levelers on bottom of support legs when necessary.



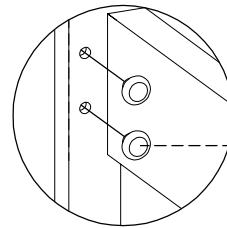


- ITEM NO: I246-415      King Panel HB  
 I246-406              King Rails  
 I246-410              Cal King Rails  
 I246-407              King Low Profile FB

**STEP 7:** Arrange the slats on the slat bearers equally and attach to the slat bearers with wood screws (M).

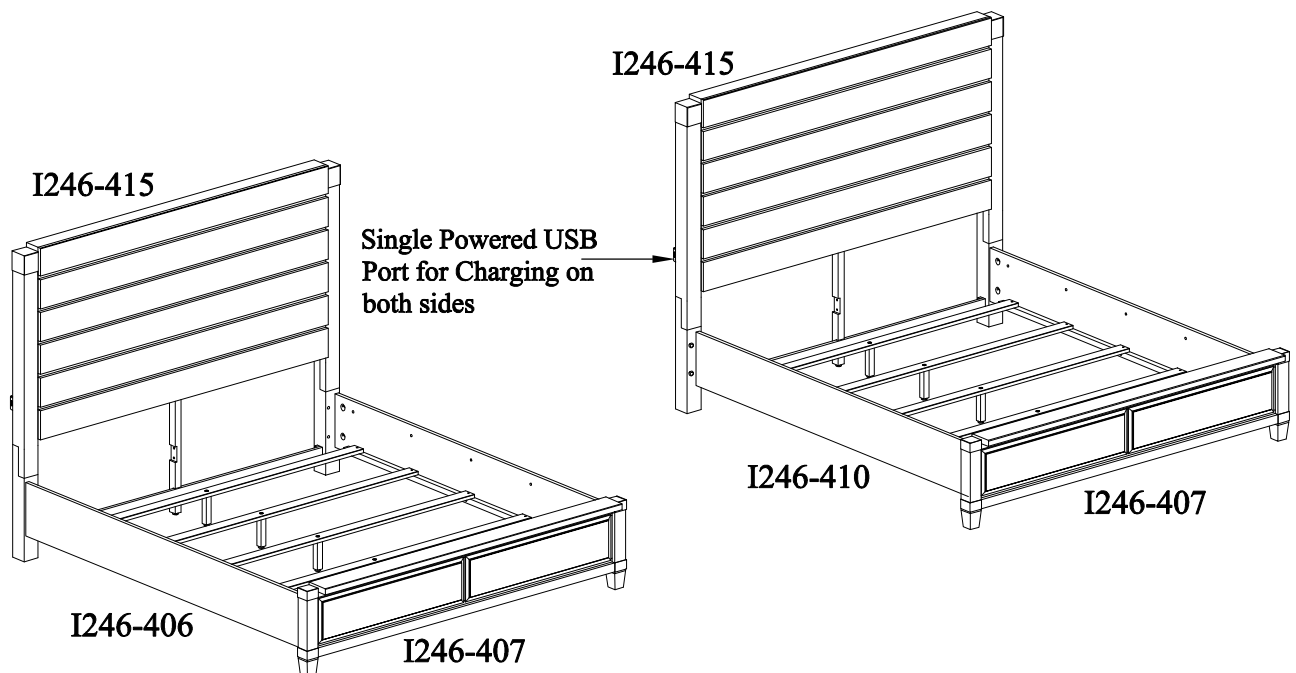


**STEP 8:** For Cal King bed, insert wood caps into the holes on headboard and footboard. For regular King bed, skip this step.



Wood Cap (N)

**FUNCTIONALITY INSTRUCTION**



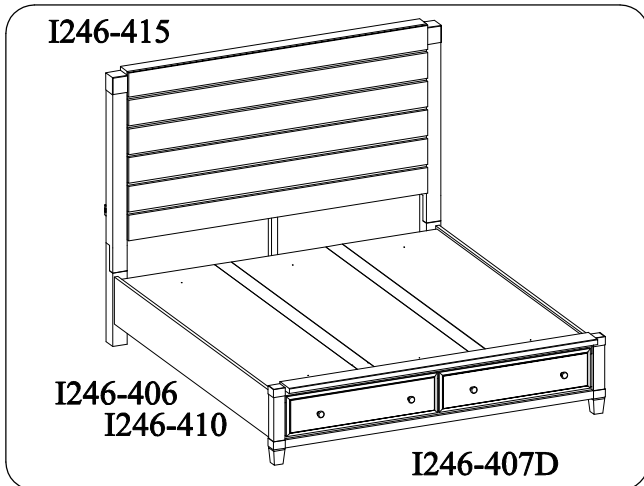


ITEM NO: I246-415      King Panel HB  
 I246-406              King Rails  
 I246-410              Cal King Rails  
 I246-407D             King Storage FB

Thank you for purchasing this quality product. Be sure to check all packing material carefully for small parts that may come loose inside the carton during shipment.



**UNIT SHOULD BE INSTALLED BY 2 OR MORE PERSONS.**



All Beds need to be set up in the exact final location so that after full assembly it will not need to be moved. Moving the bed will cause the support legs to move out of perpendicular (90 degree), weaken the support system, and may allow the bed to collapse.

TOOLS REQUIRED (NOT PROVIDED)
PHILLIPS SCREWDRIVER

**HARDWARE LIST: I246-415**

No.	Description	Sketch	Quantity
A	Bolt Ø5/16" x 1-1/2"		4 PCS
B	Bolt Ø5/16" x 2-3/8"		6 PCS
C	Lock Washer Ø5/16"		10 PCS
D	Flat Washer Ø5/16" x 3/4"		10 PCS
E	Allen Wrench 4mm		1 PC
F	Bolt Ø1/4" x 1-1/4"		4 PCS
G	Lock Washer Ø1/4"		4 PCS
H	Flat Washer Ø1/4" x 3/4"		4 PCS

**HARDWARE LIST: I246-406/410**

No.	Description	Sketch	Quantity
I	Hanger Bolt Ø5/16" x 3"		8 PCS
J	Half Moon Washer Ø5/16"		8 PCS
K	Hex Nut Ø5/16"		8 PCS
L	Hex Wrench 13mm		1 PC
M	Wood Screw #4 x 1-1/4"		10 PCS
N	Wood Cap (only for 410)		8 PCS

**HARDWARE LIST: I246-407D**

No.	Description	Sketch	Quantity
O	Bolt Ø1/4"*1-1/4"		8 PCS
P	Lock Washer Ø1/4"		8 PCS
Q	Flat Washer Ø1/4" x 3/4"		8 PCS
R	Allen Wrench 4mm		1 PC
S	Wood Screw #4 x 1"		6 PCS

**COMPONENTS LIST: I246-415**

No.	Description	Sketch	Quantity
1	Headboard		1 PC
2	Left Leg		1 PC
3	Right Leg		1 PC
4	Wood Stretcher		1 PC
5	Center Support Leg		1 PC

**COMPONENTS LIST: I246-406**

No.	Description	Sketch	Quantity
1	Bed rails		2 PCS
2	Slats		5 PCS

**COMPONENTS LIST: I246-410**

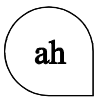
No.	Description	Sketch	Quantity
1	Bed rails		2 PCS
2	Slats		5 PCS
3	Center rail (Long)		1 PC

**COMPONENTS LIST: I246-407D**

No.	Description	Sketch	Quantity
1	Footboard		1 PC
2	Support Leg (for center rail)		2 PCS
3	Decking		3 PCS
4	Center rail (Short)		1 PC
5	Filler		2 PCS

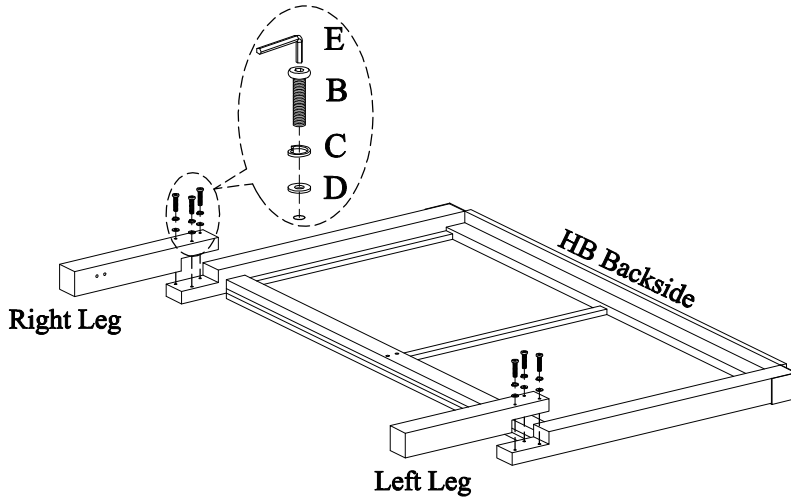
**BEFORE USING THIS PRODUCT PLEASE READ, UNDERSTAND, AND FOLLOW THESE INSTRUCTIONS.**  
 Save these instructions for future reference.

FOR INDOOR USE ONLY

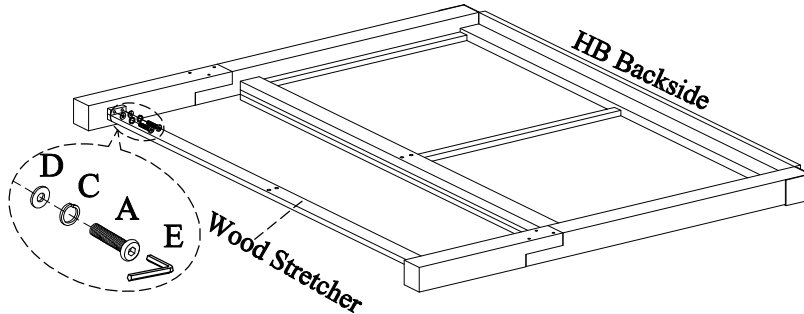


- |                   |                 |
|-------------------|-----------------|
| ITEM NO: I246-415 | King Panel HB   |
| I246-406          | King Rails      |
| I246-410          | Cal King Rails  |
| I246-407D         | King Storage FB |

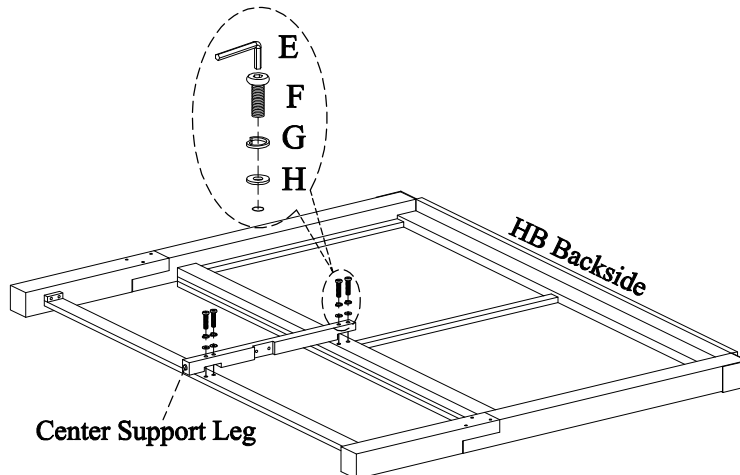
**STEP 1:** Lay the headboard face down on a soft surface. Attach the left leg and right leg to headboard by using 6 bolts(B), lock washers(C) and flat washers(D).

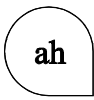


**STEP 2:** Attach the wood stretcher to the legs by using 4 bolts(A), lock washers(C) and flat washers(D).



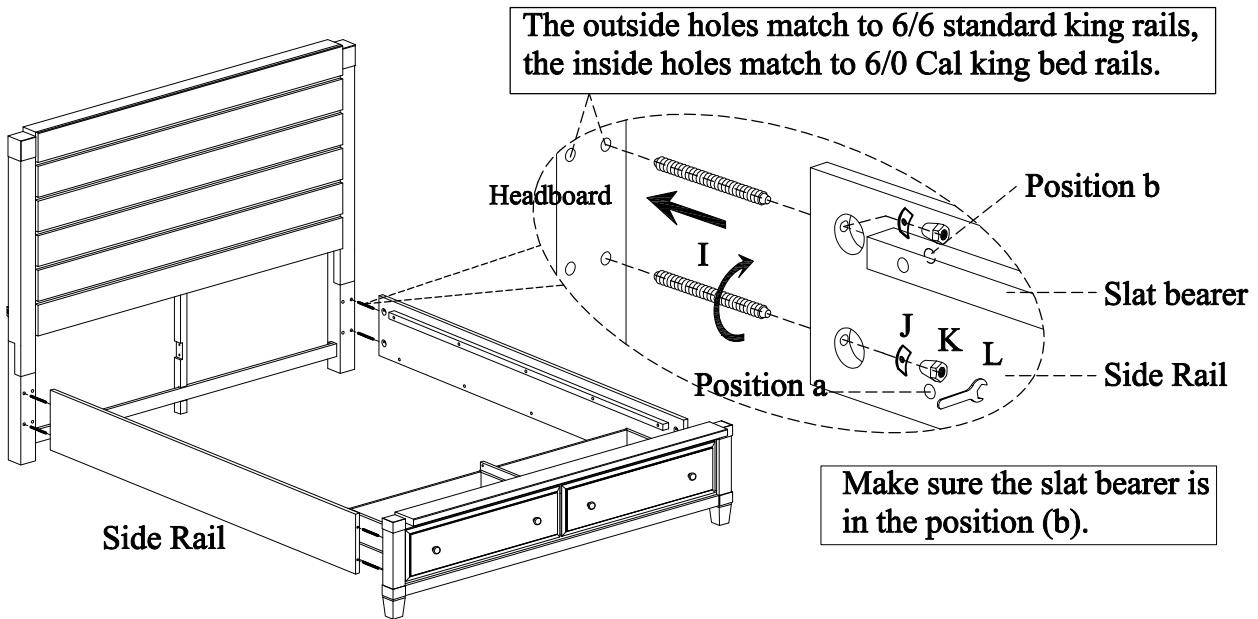
**STEP 3:** Attach the center support leg to headboard and wood stretcher by using 4 bolts(F), lock washers(G) and flat washers(H).



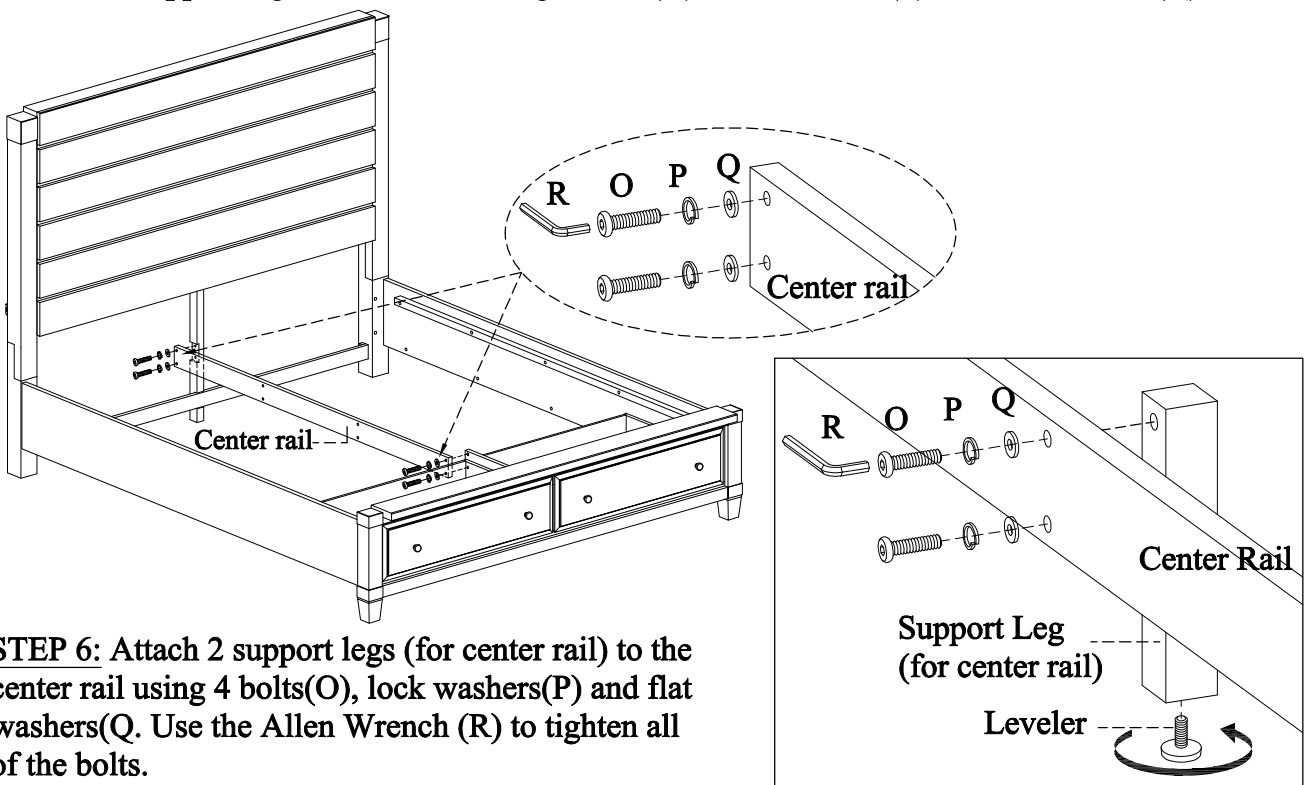


ITEM NO: I246-415      King Panel HB  
 I246-406              King Rails  
 I246-410              Cal King Rails  
 I246-407D             King Storage FB

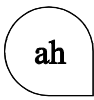
**STEP 4:** Screw the bolts(I) into HB & FB. Make sure the slat bearer is in the position (b). Align the bolts with the holes in the end of side rails and attach the side rails to HB & FB using half moon washers(J) and nuts (K). Then use a hex wrench to tighten all the nuts.



**STEP 5:** The standard king center support is in the Storage Footboard carton, and the Cal king center rail is in the Cal King side rail carton. Attach the appropriate center rail to the footboard and center support leg of headboard using 4 bolts(O), lock washers(P) and flat washers(Q).

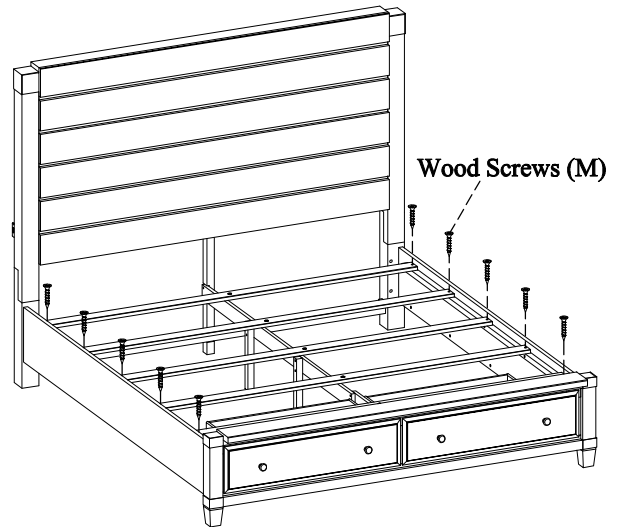


**STEP 6:** Attach 2 support legs (for center rail) to the center rail using 4 bolts(O), lock washers(P) and flat washers(Q). Use the Allen Wrench (R) to tighten all of the bolts.

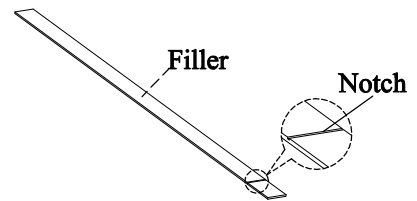


ITEM NO: I246-415      King Panel HB  
 I246-406      King Rails  
 I246-410      Cal King Rails  
 I246-407D      King Storage FB

**STEP 7:** Arrange slats on the slat bearers and then lay the decking on top of the slats. Make sure the top and bottom slats are situated underneath the pre-drilled holes as shown below in STEP 9. Remove the decking and attach slats to the slat bearers with wood screws (M).

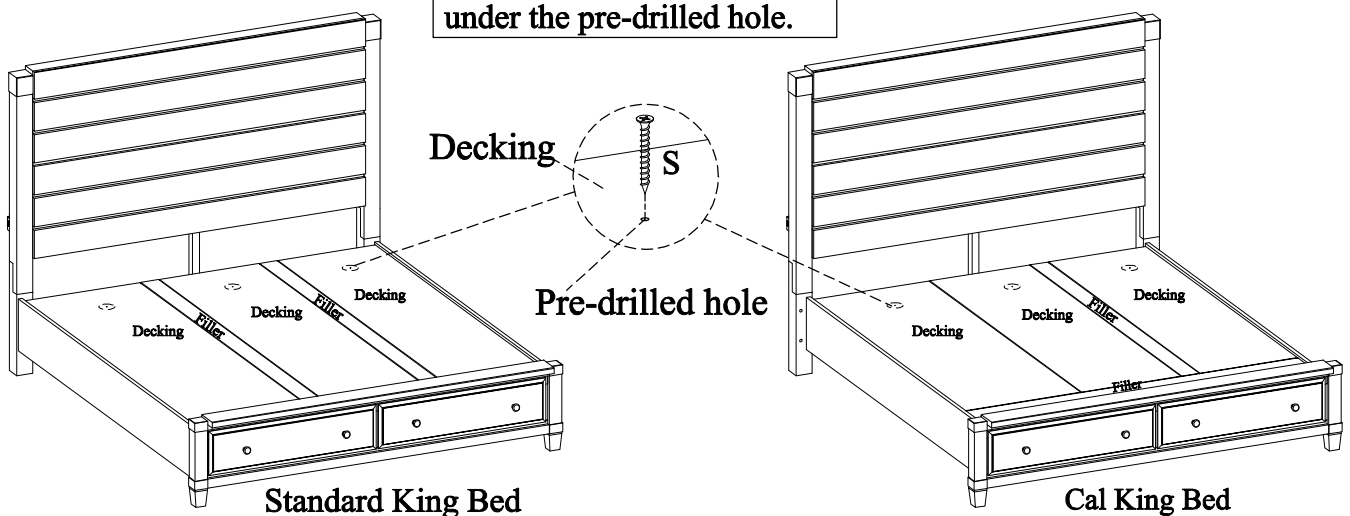


**STEP 8:** For the Cal King bed, both filler boards are notched. Using a utility knife only cut off the small piece at the notch on one of the filler boards. This cut off filler board will be placed at the foot of the bed going from left to right as shown on the right side below in STEP 9. For the standard King bed, skip this step and arrange the decking boards as shown on the left side below.

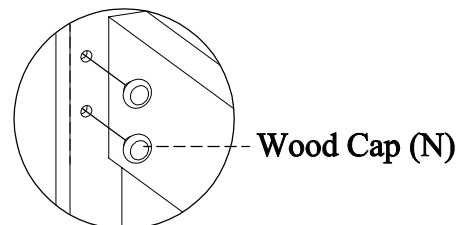


**STEP 9:** Put the decking over the slats, secure decking to the slats with wood screws (S) through the pre-drilled holes in the decking as shown below.

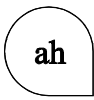
Make sure that there is a slat under the pre-drilled hole.



**STEP 10:** For Cal King bed, insert wood caps into the holes on headboard and footboard. For regular King bed, skip this step.







ITEM NO: I246-415      King Panel HB  
 I246-406              King Rails  
 I246-410              Cal King Rails  
 I246-407D            King Storage FB

### FUNCTIONALITY INSTRUCTION

