

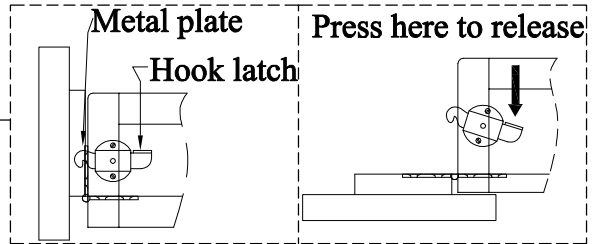
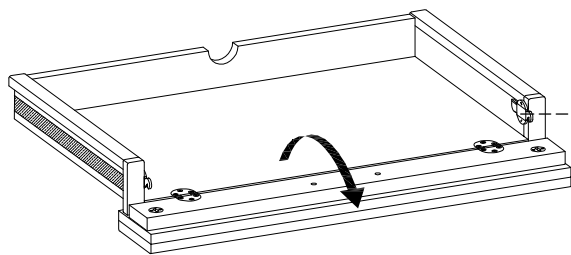
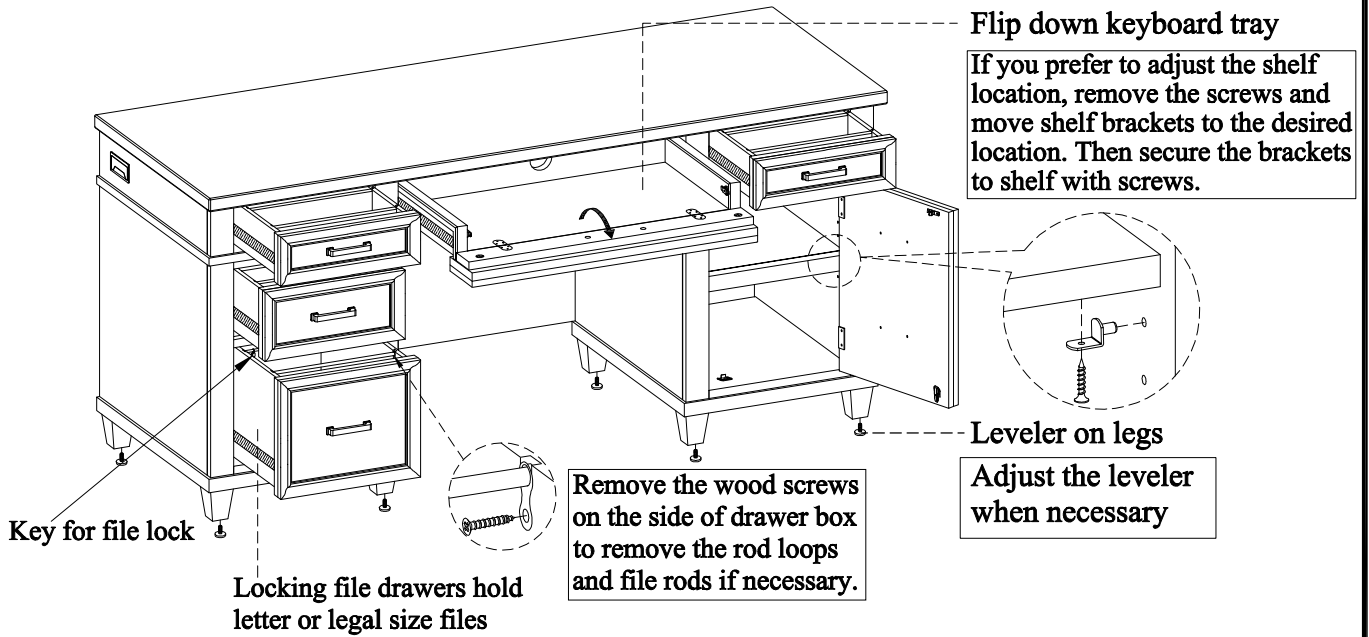
ITEM NO: I248-316 Credenza Desk

Thank you for purchasing this quality product. Be sure to check all packing material carefully for small parts that may come loose inside the carton during shipment.



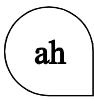
TOOLS REQUIRED (NOT PROVIDED)
PHILLIPS SCREWDRIVER

### FUNCTIONALITY INSTRUCTION



BEFORE USING THIS PRODUCT PLEASE READ, UNDERSTAND, AND FOLLOW THESE INSTRUCTIONS. Save these instructions for future reference.

FOR INDOOR USE ONLY

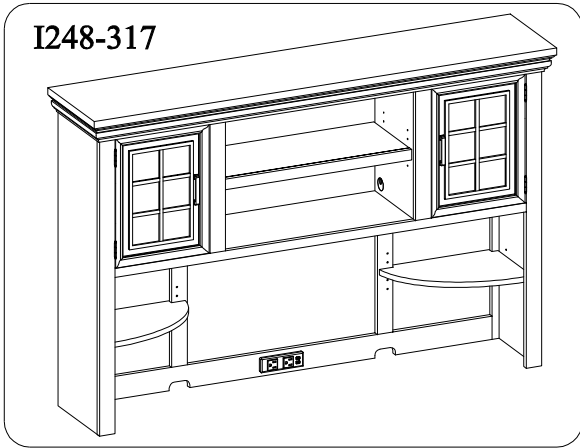


ITEM NO: I248-317 Credenza Hutch

Thank you for purchasing this quality product. Be sure to check all packing material carefully for small parts that may come loose inside the carton during shipment.

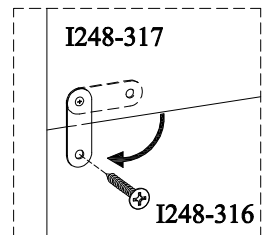


**UNIT SHOULD BE INSTALLED BY 2 OR MORE PERSONS.**

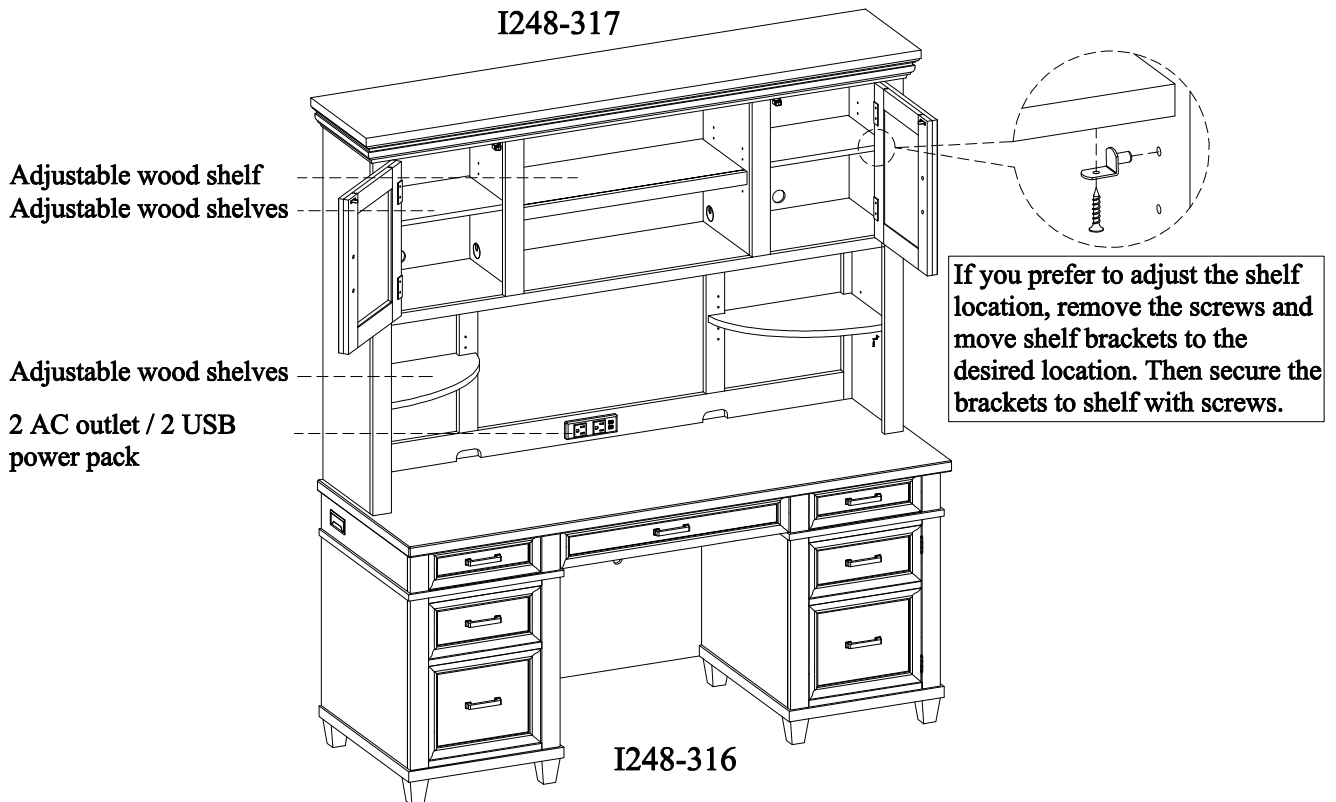


TOOLS REQUIRED (NOT PROVIDED)
PHILLIPS SCREWDRIVER

**STEP 1:** Put the hutch on the credenza top. Take off one screw from each metal plate on the back of hutch and swing it in an ideal place. Then re-secure the metal plate with screw to credenza.



### FUNCTIONALITY INSTRUCTION



**BEFORE USING THIS PRODUCT PLEASE READ, UNDERSTAND, AND FOLLOW THESE INSTRUCTIONS.**  
Save these instructions for future reference.

FOR INDOOR USE ONLY