

ITEM NO: I3002-451 1 Drawer Nightstand

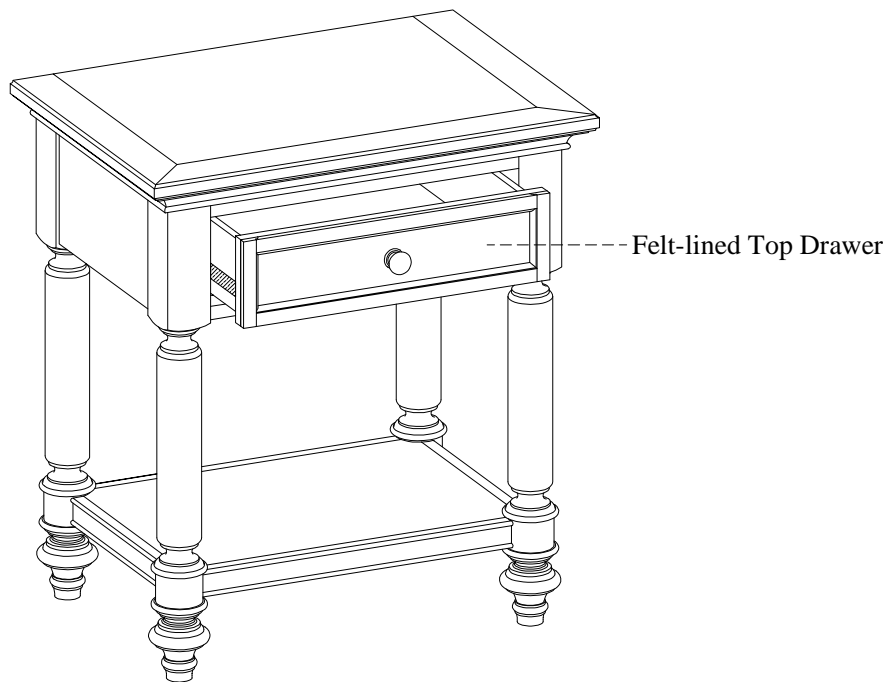
Thank you for purchasing this quality product. Be sure to check all packing material carefully for small parts that may come loose inside the carton during shipment.



TOOLS REQUIRED (NOT PROVIDED)
PHILLIPS SCREWDRIVER

COMPONENTS LIST:			
No.	Description	Sketch	Quantity
1	Case		1 PC
2	Post		4 PCS
3	Bottom Shelf		1 PC
4	Bun Foot		4 PCS

FUNCTIONALITY INSTRUCTION



BEFORE USING THIS PRODUCT PLEASE READ, UNDERSTAND, AND FOLLOW THESE INSTRUCTIONS.
Save these instructions for future reference.

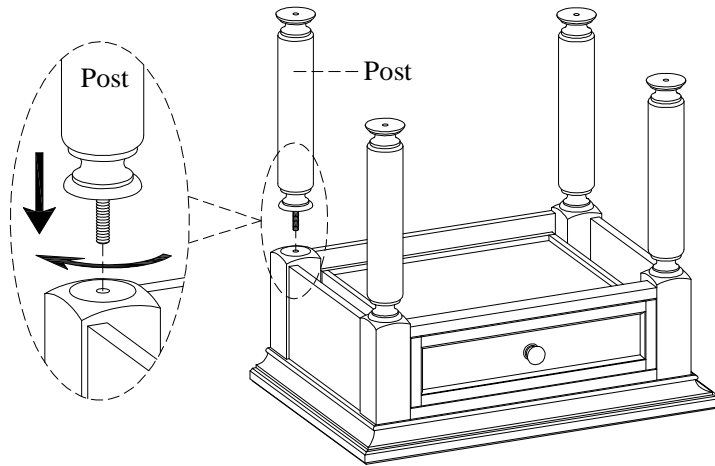
FOR INDOOR USE ONLY



ITEM NO: I3002-451 1 Drawer Nightstand

STEP 1: Put the case upside down on a soft surface.

STEP 2: Attach the post to the bottom of case as shown below.



STEP 3: Attach the bottom shelf to the posts with bun feet as shown below. Turn the assembled case to the upright position.

