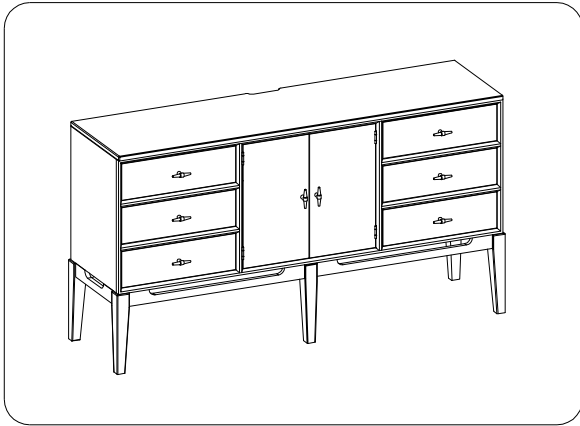


ITEM NO: I3048-6808 Sideboard

Thank you for purchasing this quality product. Be sure to check all packing material carefully for small parts that may come loose inside the carton during shipment.



**UNIT SHOULD BE INSTALLED BY 2 OR MORE PERSONS.**



**TOOLS REQUIRED (NOT PROVIDED)**

PHILLIPS SCREWDRIVER

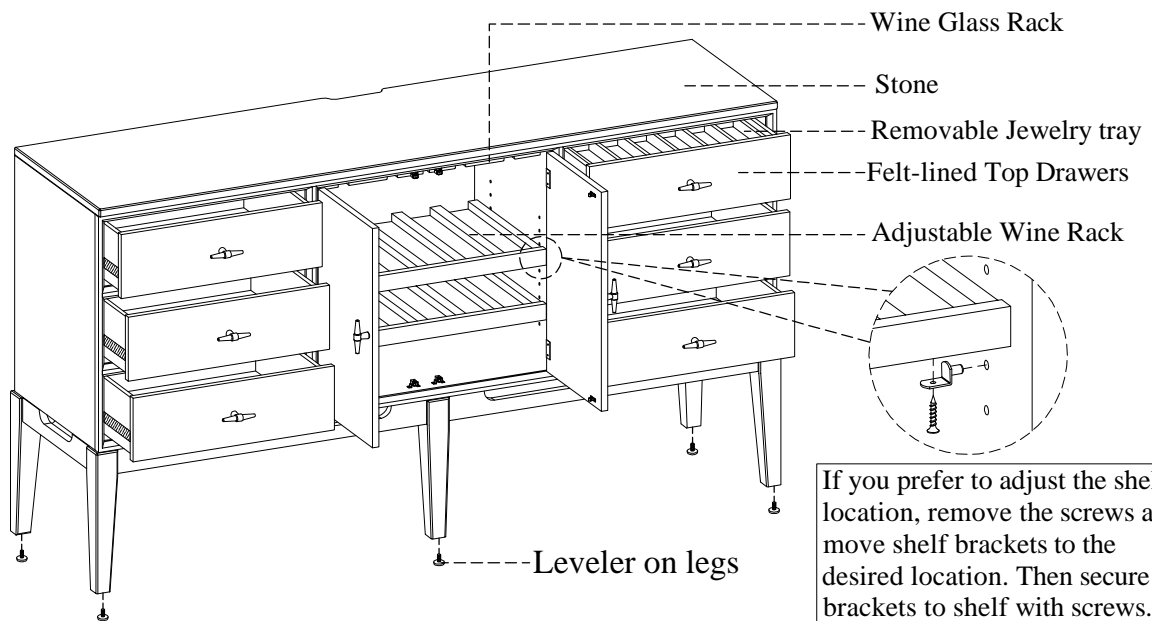
**HARDWARE LIST:**

No.	Description	Sketch	Quantity
A	Hex Nut Ø5/16"		10 PCS
B	Lock Washer Ø5/16"		10 PCS
C	Flat Washer Ø5/16" x 3/4"		10 PCS
D	Hex Wrench 12mm		1 PC

**COMPONENTS LIST:**

No.	Description	Sketch	Quantity
1	Case		1 PC
2	Side Leg		4 PCS
3	Middle Leg		1 PC

### FUNCTIONALITY INSTRUCTION



If you prefer to adjust the shelf location, remove the screws and move shelf brackets to the desired location. Then secure the brackets to shelf with screws.

**WARNING!** Before using this product, please read, understand, and follow these instructions. Failure to follow each of these assembly instructions precisely may result in damage to the product and / or injury to the consumer.

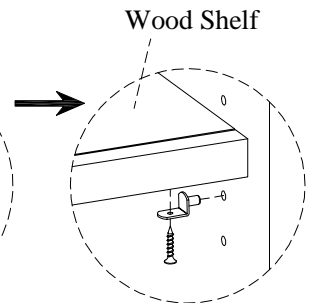
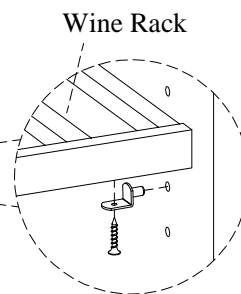
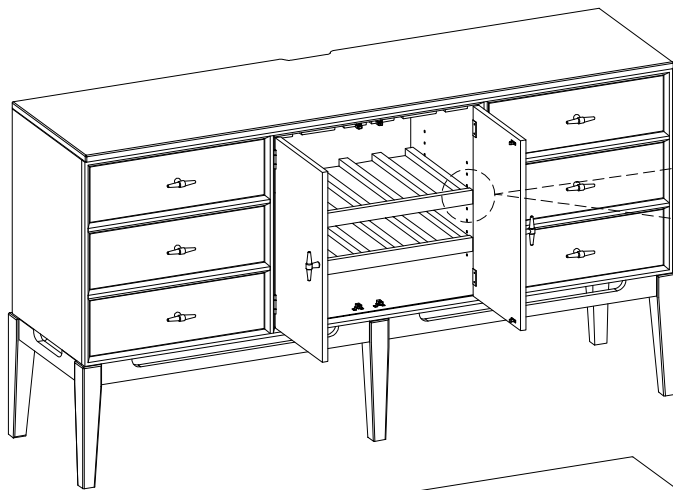
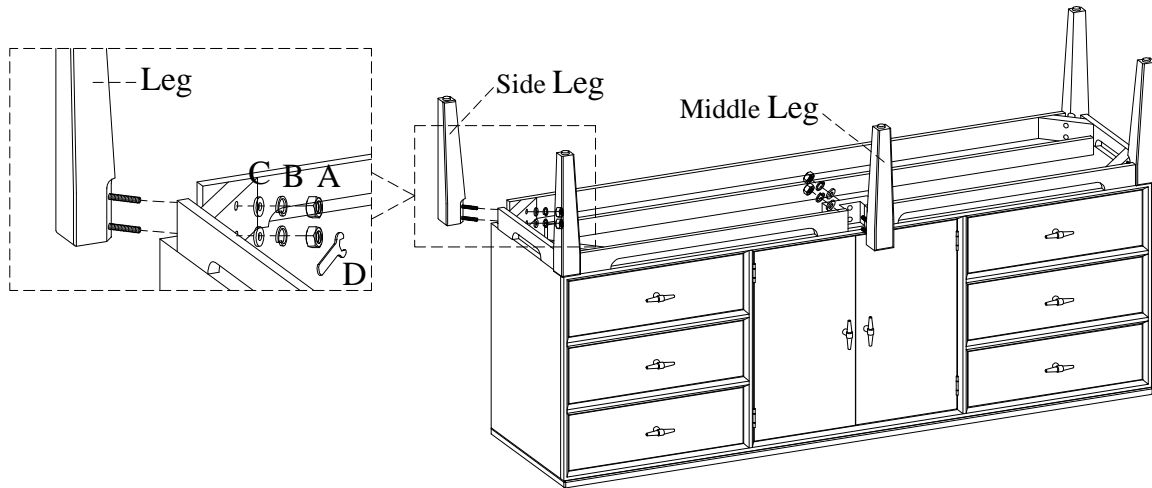
FOR INDOOR USE ONLY



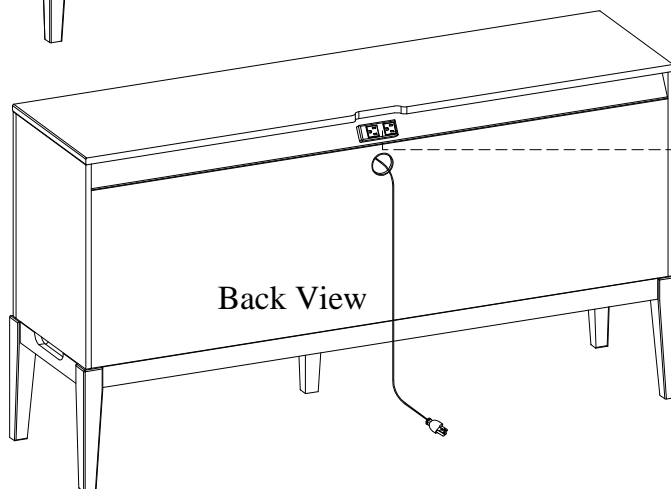
ITEM NO: I3048-6808 Sideboard

**STEP 1:** Lay the case face down on a soft surface. Attach the side legs to case by using 8 flat washers(C), lock washers(B) with the hex nuts(A).

**STEP 2:** Attach the middle leg to case by using 2 flat washers(C), lock washers(B) with the hex nuts(A). Use the hex wrench(D) provided to tighten all the nuts. Turn the assembled sideboard to the upright position.



When using the wood shelf function, unscrew the "L" brackets and turn the adjustable wine rack over, then screw the "L" brackets to the adjustable wood shelf.



2 USB Power Pack

Back View