

ASSEMBLY INSTRUCTIONS



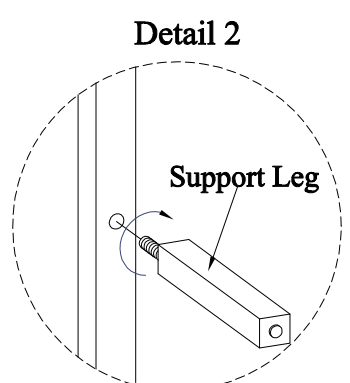
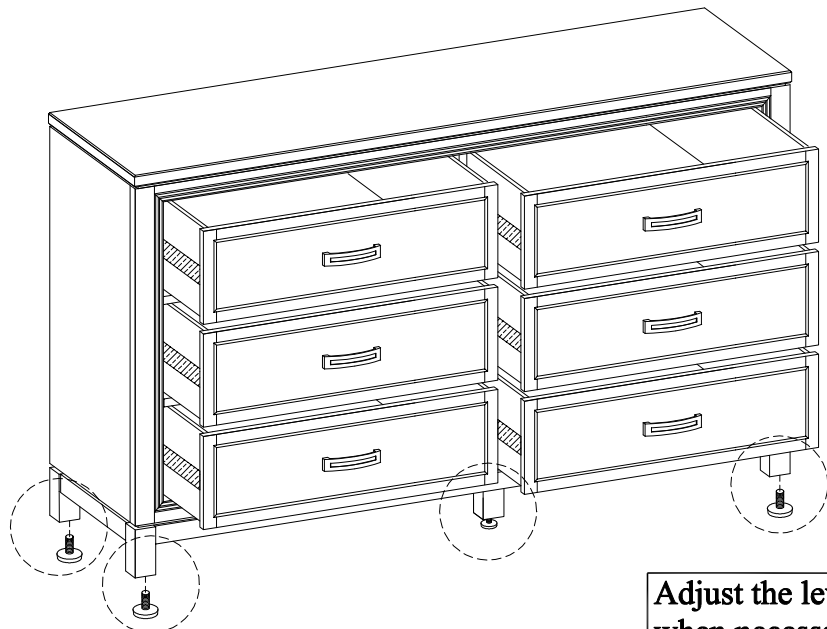
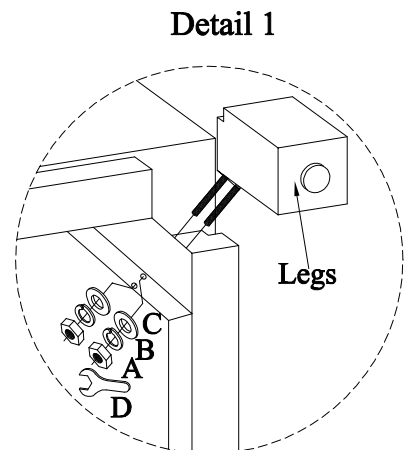
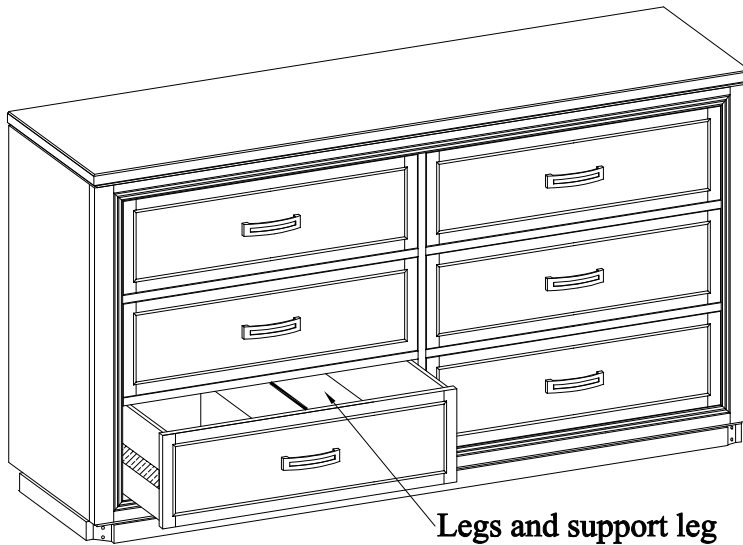
aspenhome®

Distributed by Furniture Values International, LLC



ITEM NO: I32-453 Dresser

HARDWARE LIST			COMPONENT LIST	
A	Nut (Ø5/16")	8 Pcs	Legs	4 Pcs
B	Lock Washer (Ø5/16")	8 Pcs	Support Leg	1 Pc
C	Flat Washer (Ø5/16"*3/4")	8 Pcs		
D	Hex Wrench	1 Pc		



ASSEMBLY STEP:

1. Place the case backside down on a padded area.
2. Attach legs to the case using nuts, lock washers and flat washers. Use the hex wrench to tighten all the nuts. See detail 1. Assemble support leg to the bottom case. See detail 2.
3. Turn the case to the upright position.
4. Pick up the unit when moving it or installing & removing the legs. Make sure do not slide the unit on carpet or on tile, or the legs will be stressed and broken loose