

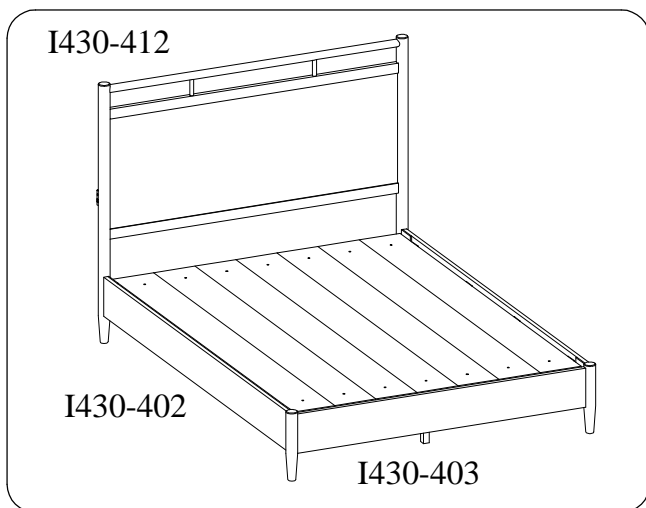


ITEM NO: I430-412    Queen Panel HB  
 I430-402    Queen Rails w/ Decking  
 I430-403    Queen Low Profile FB

Thank you for purchasing this quality product. Be sure to check all packing material carefully for small parts that may come loose inside the carton during shipment.



**UNIT SHOULD BE INSTALLED BY 2 OR MORE PERSONS.**



<b>TOOLS REQUIRED (NOT PROVIDED)</b>
PHILLIPS SCREWDRIVER

All Beds need to be set up in the exact final location so that after full assembly it will not need to be moved. Moving the bed will cause the support legs to move out of perpendicular (90 degree), weaken the support system, and may allow the bed to collapse.

HARDWARE LIST: I430-402			
No.	Description	Sketch	Quantity
A	Hanger Bolt Ø5/16" x 3"		8 PCS
B	Half Moon Washer Ø5/16"		8 PCS
C	Hex Nut Ø5/16"		8 PCS
D	Hex Wrench 13mm		1 PC
E	Wood Screw #4 x 1-1/4"		8 PCS
F	Wood Screw #4 x 3/4"		14 PCS

COMPONENTS LIST: I430-412			
No.	Description	Sketch	Quantity
1	Headboard (HB)		1 PC

COMPONENTS LIST: I430-402			
No.	Description	Sketch	Quantity
1	Bed rails		2 PCS
2	Slats		4 PCS
3	Decking		7 PCS

COMPONENTS LIST: I430-403			
No.	Description	Sketch	Quantity
1	Footboard (FB)		1 PC
2	Support Leg (Long)		4 PCS
3	Support Leg (Short)		4 PCS

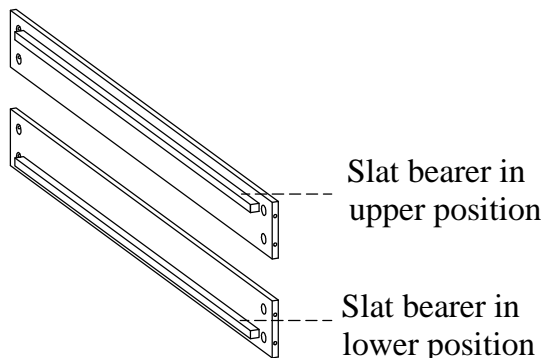
BEFORE USING THIS PRODUCT PLEASE READ, UNDERSTAND, AND FOLLOW THESE INSTRUCTIONS.  
 Save these instructions for future reference.

FOR INDOOR USE ONLY



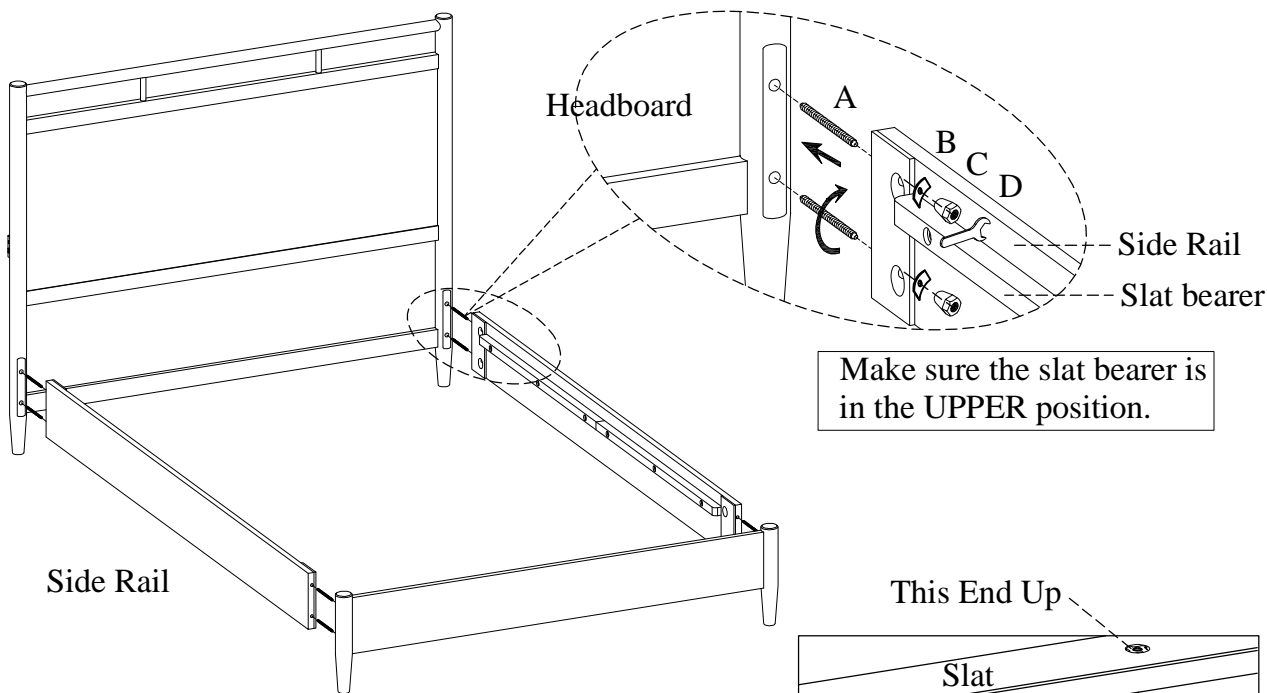
ITEM NO: I430-412 Queen Panel HB  
 I430-402 Queen Rails w/ Decking  
 I430-403 Queen Low Profile FB

**STEP 1:** The side rails may be used on either side. Arrange the side rails so the slat bearers are in UPPER POSITION prior to attachment as OPTION 1 and the slat bearers are in LOWER POSITION prior to attachment as OPTION 2.

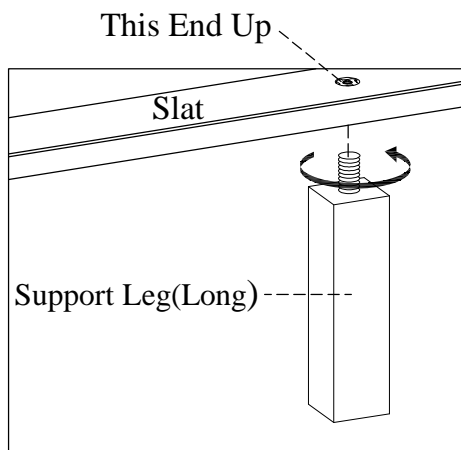


**OPTION 1:** The side rails may be used on either side. Arrange the side rails so the slat bearers are in UPPER POSITION prior to attachment in STEP 2.

**STEP 2:** Screw the bolts(A) into HB & FB. Make sure the slat bearer is in the UPPER position. Align the bolts with the holes in the end of side rails and attach the side rails to HB & FB using half moon Washer(B) and hex nuts(C). Then use a hex wrench to tighten all the nuts.



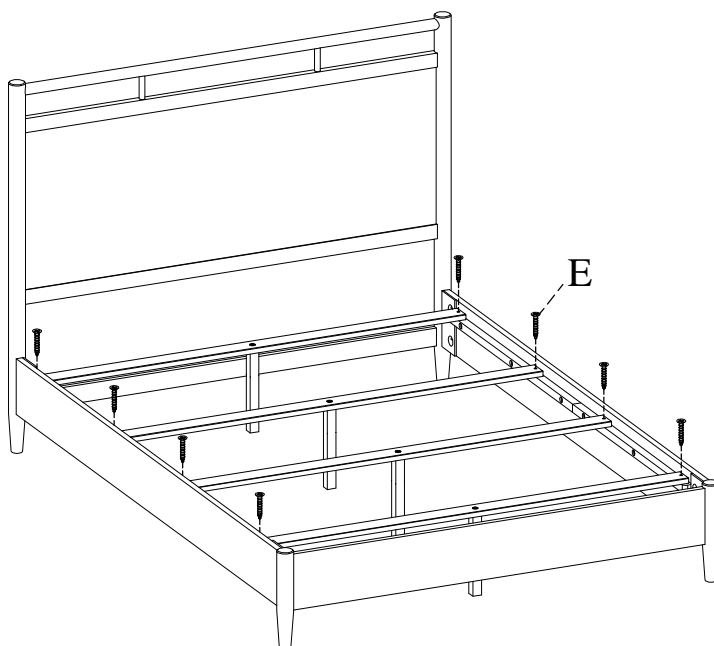
**STEP 3:** Attach the support legs(long) to the slats as shown right.



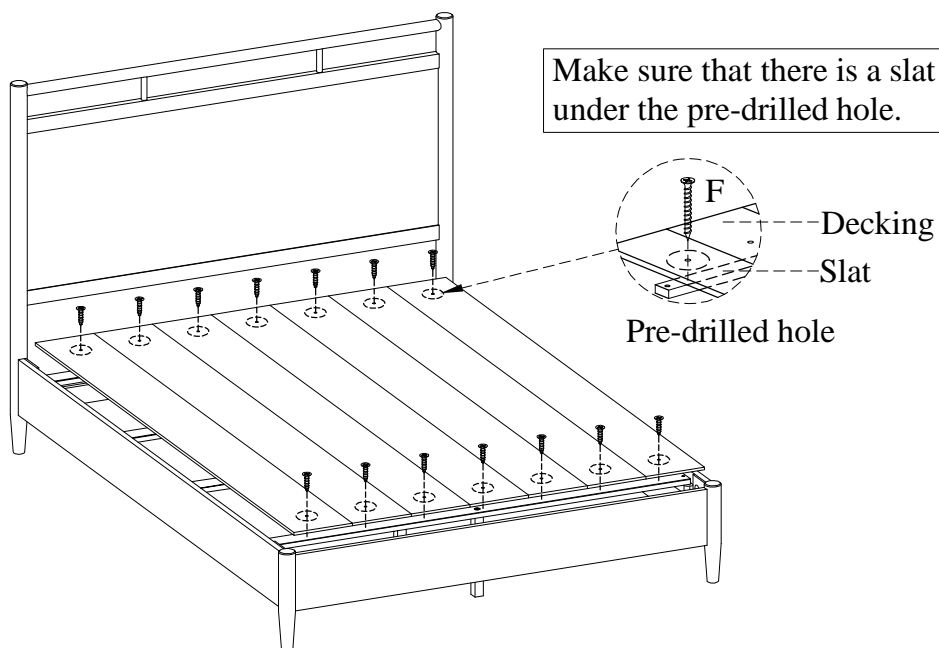


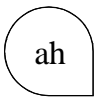
ITEM NO: I430-412    Queen Panel HB  
I430-402    Queen Rails w/ Decking  
I430-403    Queen Low Profile FB

**STEP 4:** Arrange slats on the slat bearers and then lay the decking on top of the slats. Make sure the top and bottom slats are situated underneath the pre-drilled holes as shown in STEP 5. Remove the decking and attach slats to the slat bearers with wood screws(E).



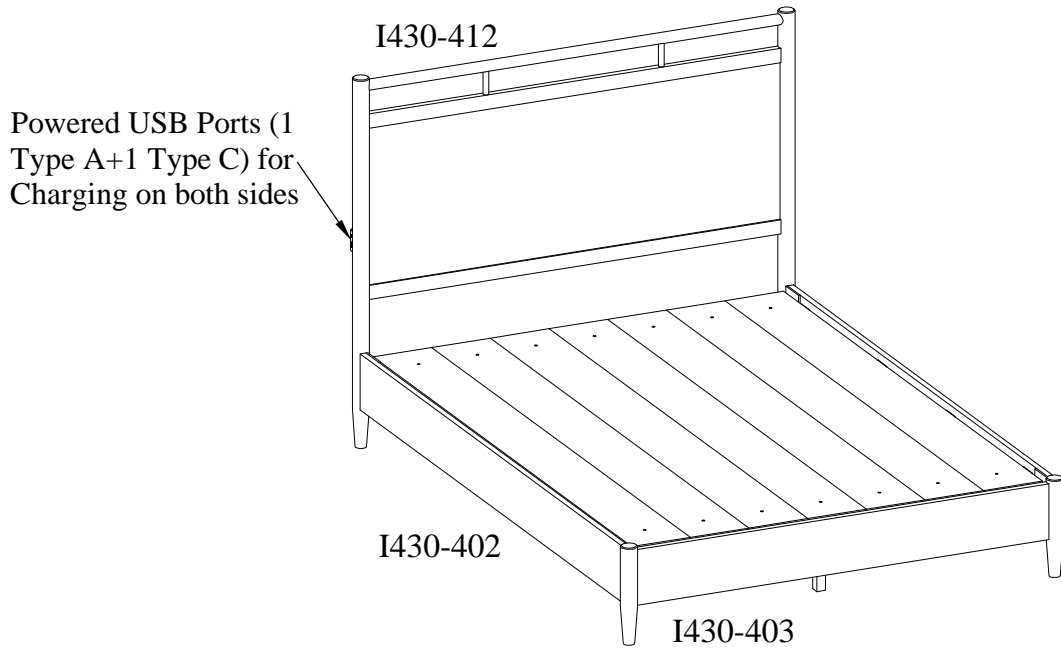
**STEP 5:** Put the decking over the slats, secure decking to the slats with wood screws(F) through the pre-drilled holes in the decking as shown below.





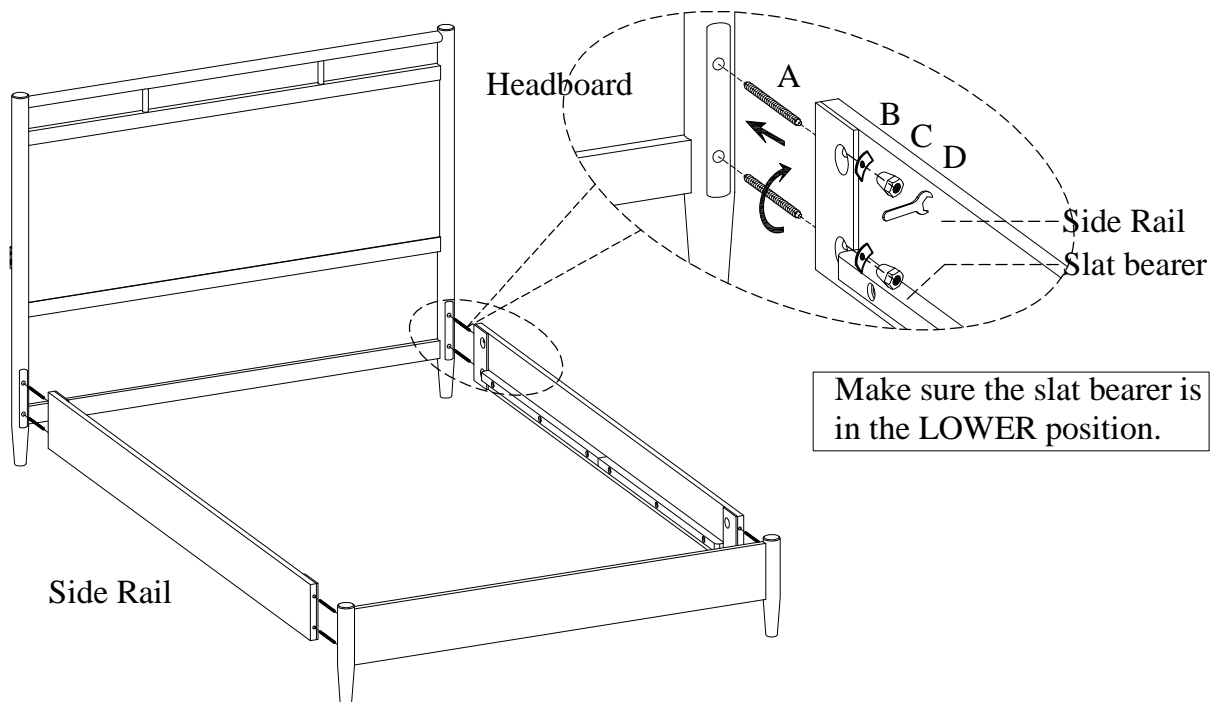
ITEM NO: I430-412    Queen Panel HB  
 I430-402    Queen Rails w/ Decking  
 I430-403    Queen Low Profile FB

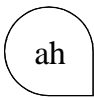
### FUNCTIONALITY INSTRUCTION



**OPTION 2:** The side rails may be used on either side. Arrange the side rails so the slat bearers are in LOWER POSITION prior to attachment in STEP 2.

**STEP 2:** Screw the bolts(A) into HB & FB. Make sure the slat bearer is in the LOWER position. Align the bolts with the holes in the end of side rails and attach the side rails to HB & FB using half moon Washer(B) and hex nuts(C). Then use a hex wrench to tighten all the nuts.

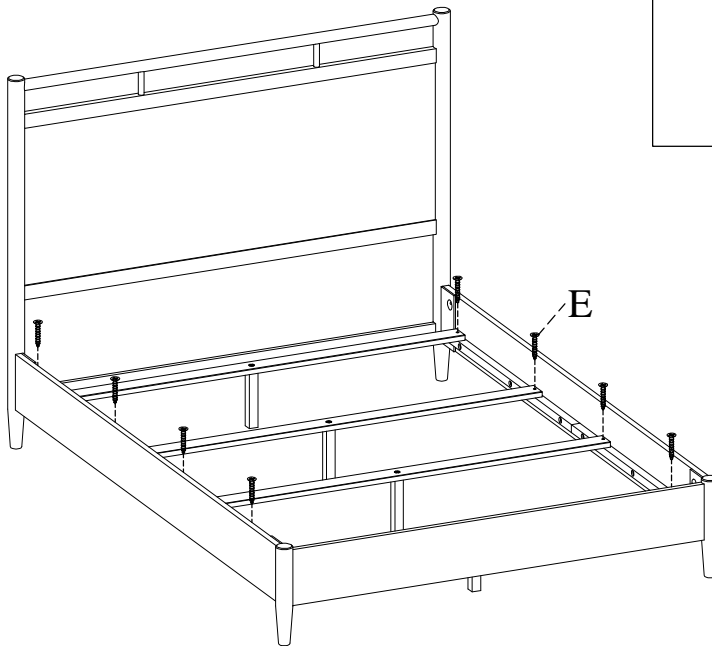
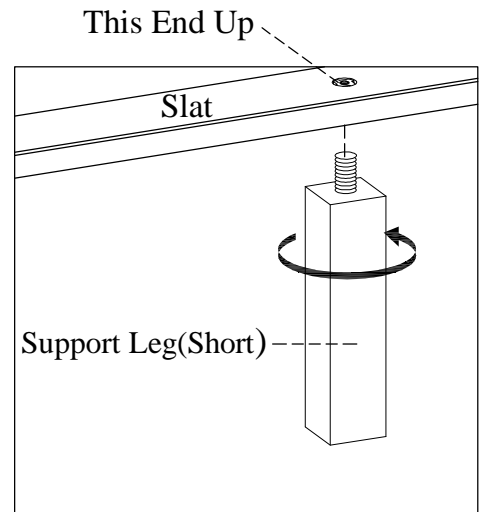




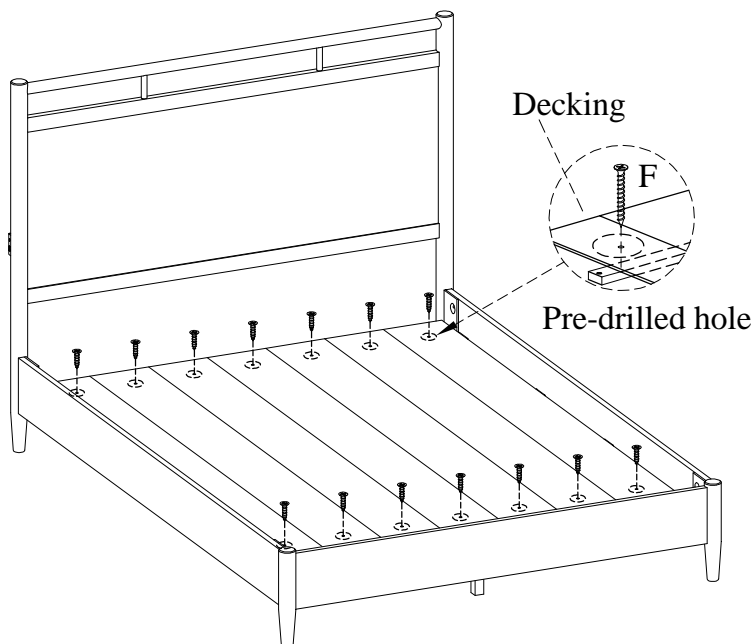
ITEM NO: I430-412    Queen Panel HB  
I430-402    Queen Rails w/ Decking  
I430-403    Queen Low Profile FB

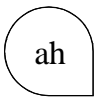
**STEP 3:** Attach the support legs(short) to the slats as shown right.

**STEP 4:** Arrange slats on the slat bearers and then lay the decking on top of the slats. Make sure the top and bottom slats are situated underneath the pre-drilled holes as shown in STEP 5. Remove the decking and attach slats to the slat bearers with wood screws(E).



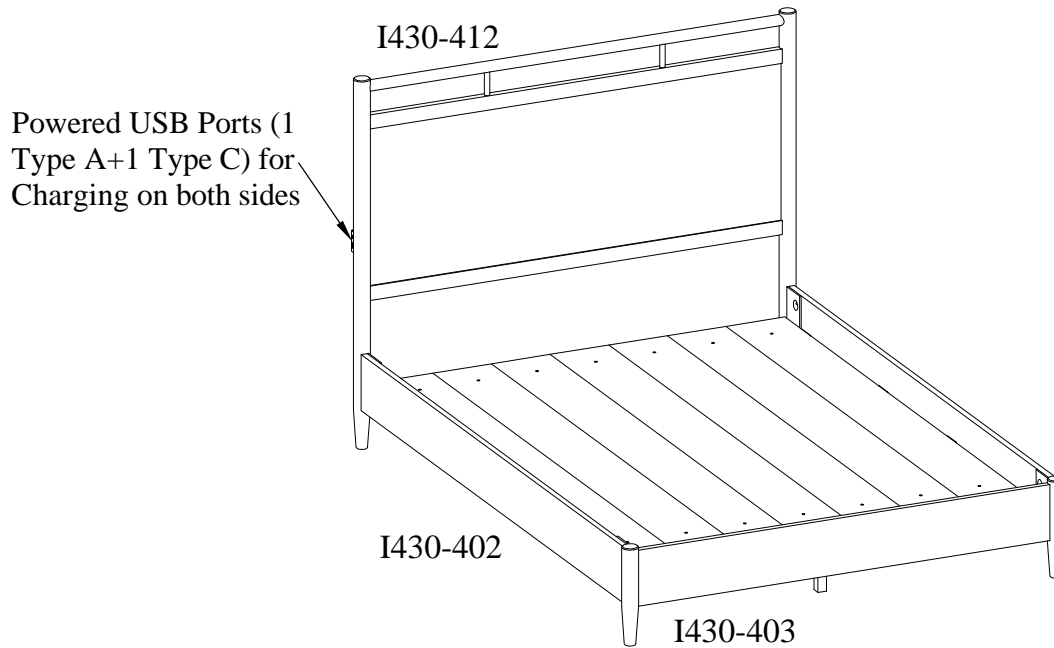
**STEP 5:** Put the decking over the slats, secure decking to the slats with wood screws(F) through the pre-drilled holes in the decking as shown below.





ITEM NO: I430-412    Queen Panel HB  
I430-402    Queen Rails w/ Decking  
I430-403    Queen Low Profile FB

### FUNCTIONALITY INSTRUCTION



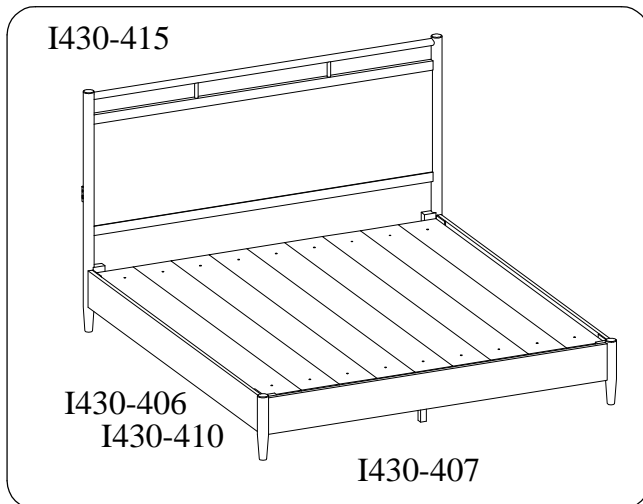


- ITEM NO: I430-415 King Panel HB  
 I430-406 King Rails w/ Decking  
 I430-410 Cal King Rails w/ Decking  
 I430-407 King Low Profile FB

Thank you for purchasing this quality product. Be sure to check all packing material carefully for small parts that may come loose inside the carton during shipment.



**UNIT SHOULD BE INSTALLED BY 2 OR MORE PERSONS.**



**TOOLS REQUIRED (NOT PROVIDED)**

PHILLIPS SCREWDRIVER

All Beds need to be set up in the exact final location so that after full assembly it will not need to be moved. Moving the bed will cause the support legs to move out of perpendicular (90 degree), weaken the support system, and may allow the bed to collapse.

**HARDWARE LIST: I430-406/410**

No.	Description	Sketch	Quantity
A	Hanger Bolt Ø5/16" x 3"		8 PCS
B	Half Moon Washer Ø5/16"		8 PCS
C	Hex Nut Ø5/16"		8 PCS
D	Hex Wrench 13mm		1 PC
E	Wood Screw #4 x 1-1/4"		10 PCS
F	Wood Screw #4 x 3/4"(only for-406)		18 PCS
G	Wood Cap (only for -410)		8 PCS
H	Wood Screw #4 x 3/4"(only for-410)		16 PCS

**COMPONENTS LIST: I430-415**

No.	Description	Sketch	Quantity
1	Headboard (HB)		1 PC

**COMPONENTS LIST: I430-406**

No.	Description	Sketch	Quantity
1	Bed rails		2 PCS
2	Slats		5 PCS
3	Decking		9 PCS

**COMPONENTS LIST: I430-410**

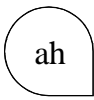
No.	Description	Sketch	Quantity
1	Bed rails		2 PCS
2	Slats		5 PCS
3	Decking		8 PCS

**COMPONENTS LIST: I430-407**

No.	Description	Sketch	Quantity
1	Footboard (FB)		1 PC
2	Support Leg (Long)		5 PCS
3	Support Leg (Short)		5 PCS

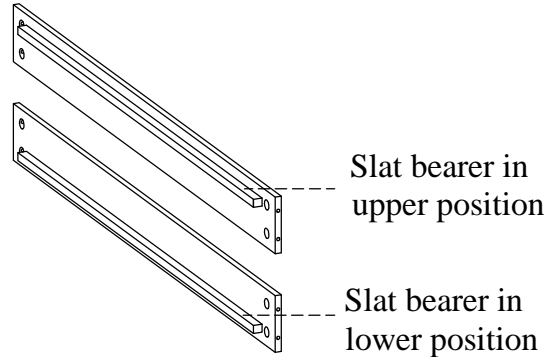
BEFORE USING THIS PRODUCT PLEASE READ, UNDERSTAND, AND FOLLOW THESE INSTRUCTIONS. Save these instructions for future reference.

FOR INDOOR USE ONLY



- ITEM NO: I430-415 King Panel HB  
 I430-406 King Rails w/ Decking  
 I430-410 Cal King Rails w/ Decking  
 I430-407 King Low Profile FB

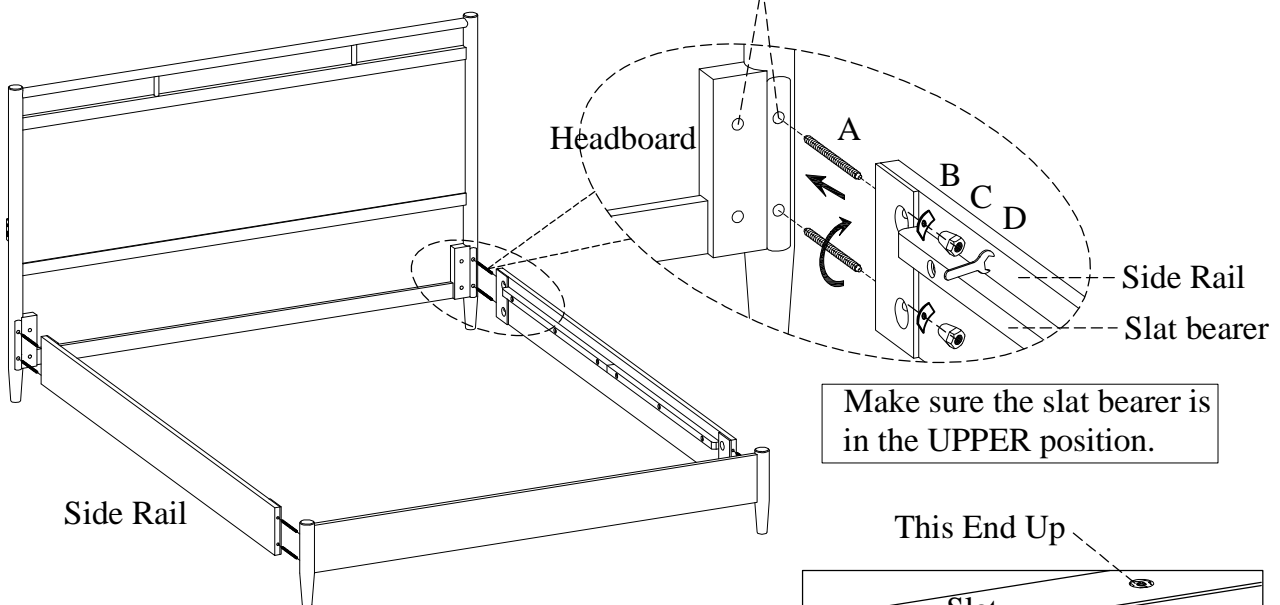
**STEP 1:** The side rails may be used on either side. Arrange the side rails so the slat bearers are in UPPER POSITION prior to attachment as OPTION 1 and the slat bearers are in LOWER POSITION prior to attachment as OPTION 2.



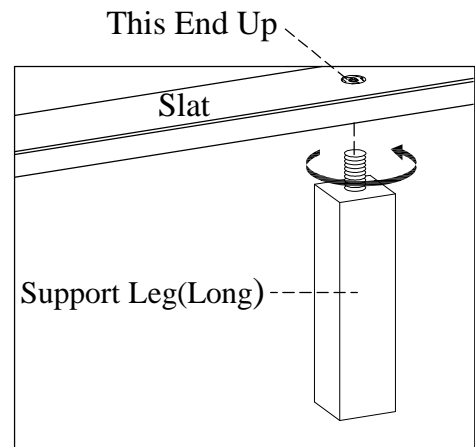
**OPTION 1:** The side rails may be used on either side. Arrange the side rails so the slat bearers are in UPPER POSITION prior to attachment in STEP 2.

**STEP 2:** Screw the bolts(A) into HB & FB. Make sure the slat bearer is in the UPPER position. Align the bolts with the holes in the end of side rails and attach the side rails to HB & FB using half moon Washer(B) and hex nuts(C). Then use a hex wrench to tighten all the nuts.

The outside holes match to 6/6 standard king rails, the inside holes match to 6/0 Cal king bed rails.



**STEP 3:** Attach the support legs(long) to the slats as shown right.

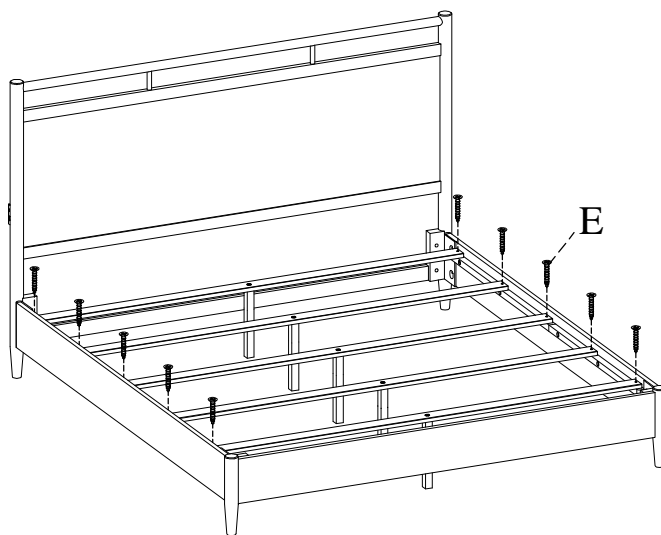






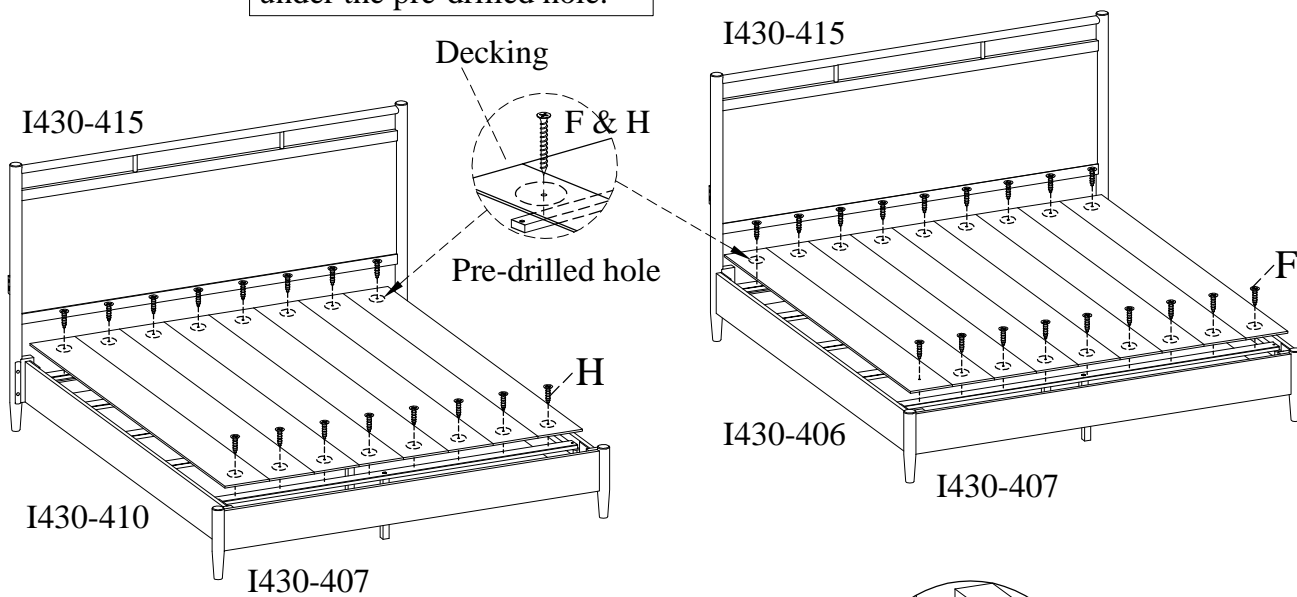
- ITEM NO: I430-415 King Panel HB  
 I430-406 King Rails w/ Decking  
 I430-410 Cal King Rails w/ Decking  
 I430-407 King Low Profile FB

**STEP 4:** Arrange slats on the slat bearers and then lay the decking on top of the slats. Make sure the top and bottom slats are situated underneath the pre-drilled holes as shown in STEP 5. Remove the decking and attach slats to the slat bearers with wood screws(E).

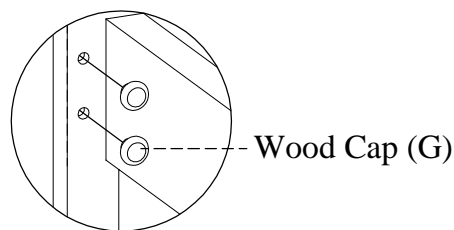


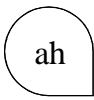
**STEP 5:** Put the decking over the slats, secure decking to the slats with wood screws(F & H) through the pre-drilled holes in the decking as shown below.

Make sure that there is a slat under the pre-drilled hole.



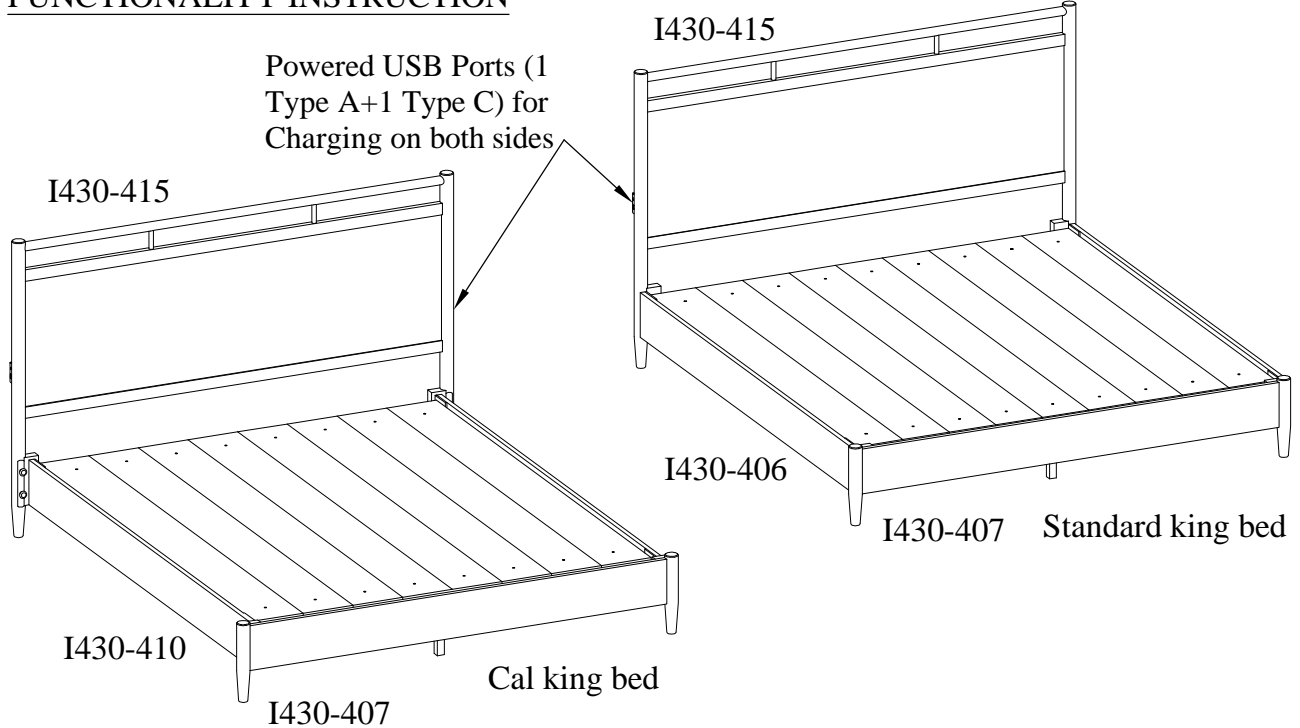
**STEP 6:** For Cal King bed, insert wood caps into the holes on headboard and footboard. For regular King bed, skip this step.





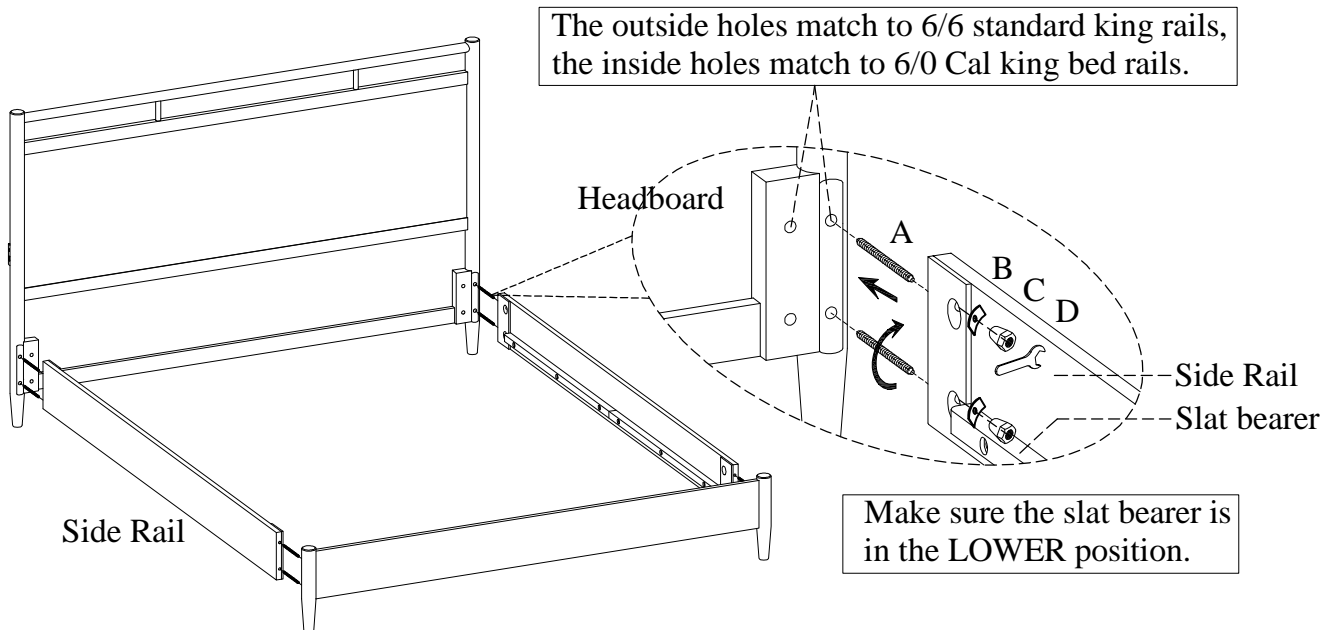
- ITEM NO: I430-415 King Panel HB  
 I430-406 King Rails w/ Decking  
 I430-410 Cal King Rails w/ Decking  
 I430-407 King Low Profile FB

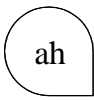
### FUNCTIONALITY INSTRUCTION



**OPTION 2:** The side rails may be used on either side. Arrange the side rails so the slat bearers are in LOWER POSITION prior to attachment in STEP 2.

**STEP 2:** Screw the bolts(A) into HB & FB. Make sure the slat bearer is in the LOWER position. Align the bolts with the holes in the end of side rails and attach the side rails to HB & FB using half moon Washer(B) and hex nuts(C). Then use a hex wrench to tighten all the nuts.

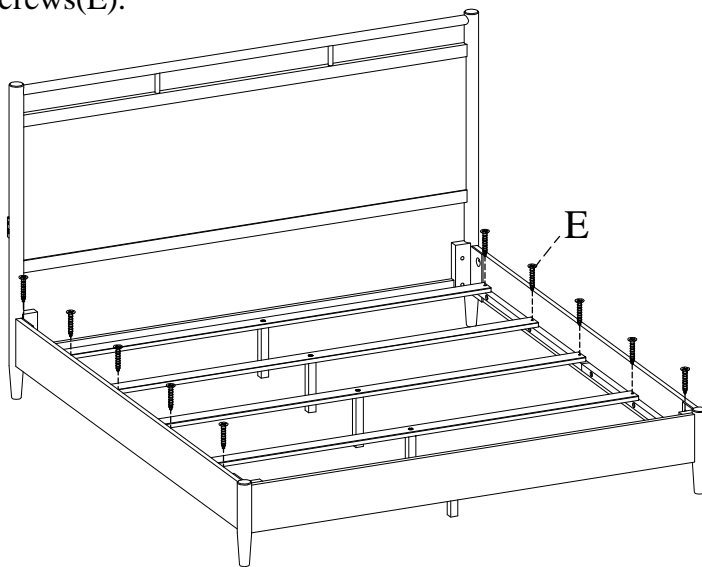
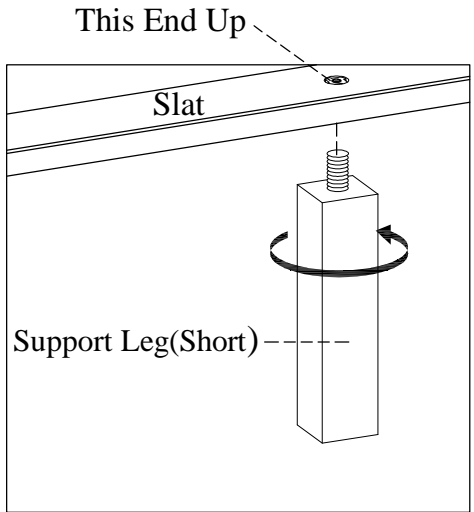




- ITEM NO: I430-415 King Panel HB  
 I430-406 King Rails w/ Decking  
 I430-410 Cal King Rails w/ Decking  
 I430-407 King Low Profile FB

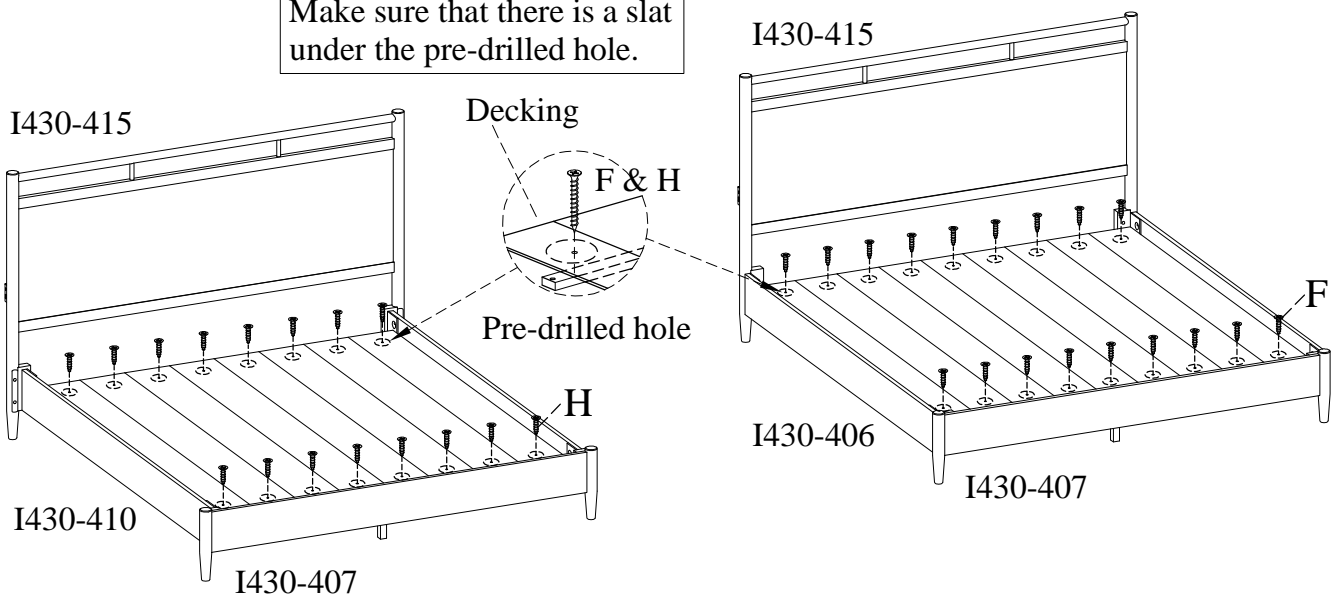
**STEP 3:** Attach the support legs(short) to the slats as shown right.

**STEP 4:** Arrange slats on the slat bearers and then lay the decking on top of the slats. Make sure the top and bottom slats are situated underneath the pre-drilled holes as shown in STEP 5. Remove the decking and attach slats to the slat bearers with wood screws(E).



**STEP 5:** Put the decking over the slats, secure decking to the slats with wood screws(F & H) through the pre-drilled holes in the decking as shown below.

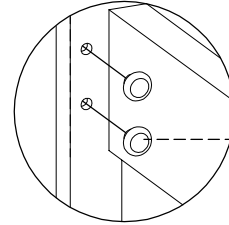
Make sure that there is a slat under the pre-drilled hole.





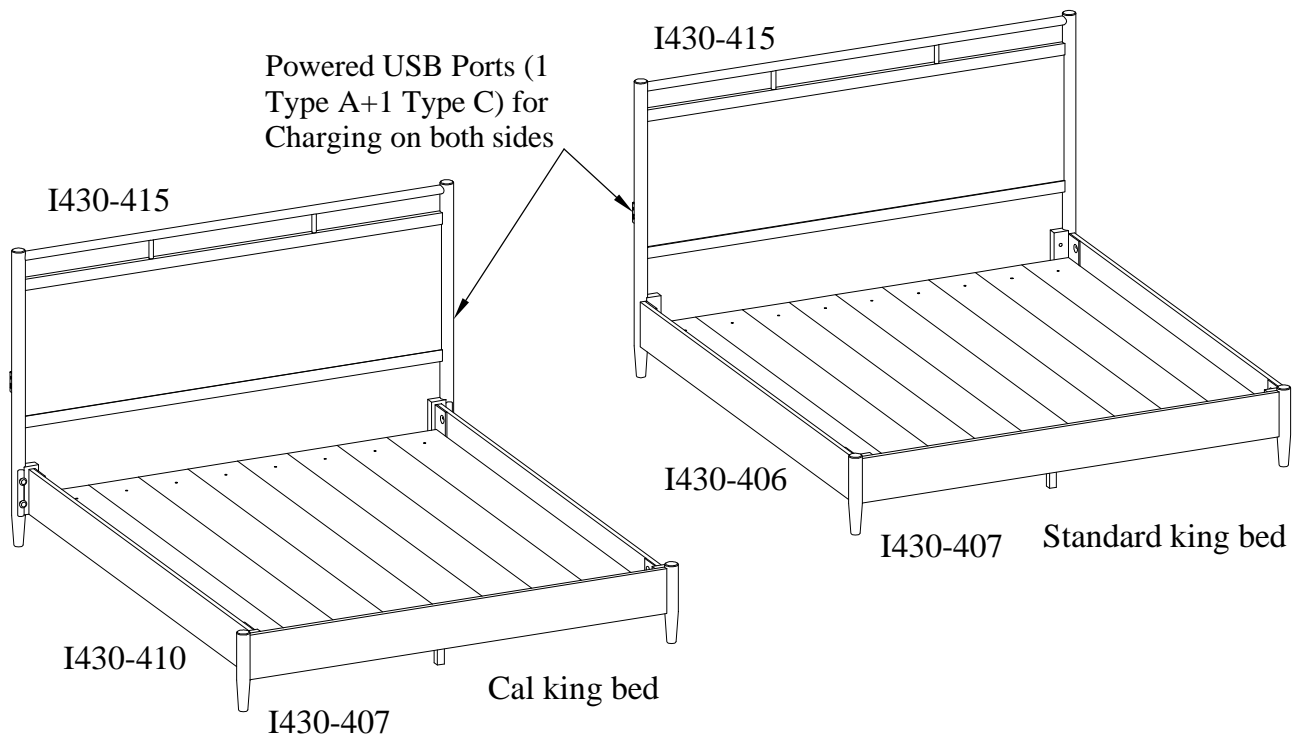
- ITEM NO: I430-415 King Panel HB  
 I430-406 King Rails w/ Decking  
 I430-410 Cal King Rails w/ Decking  
 I430-407 King Low Profile FB

**STEP 6:** For Cal King bed, insert wood caps into the holes on headboard and footboard. For regular King bed, skip this step.



Wood Cap (G)

### FUNCTIONALITY INSTRUCTION



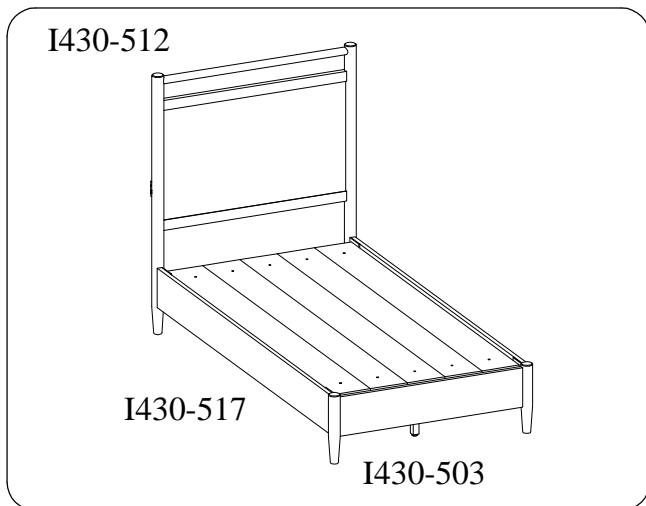


ITEM NO: I430-512    Twin Panel HB  
 I430-517    Twin Rails w/ Decking  
 I430-503    Twin Low Profile FB

Thank you for purchasing this quality product. Be sure to check all packing material carefully for small parts that may come loose inside the carton during shipment.



**UNIT SHOULD BE INSTALLED BY 2 OR MORE PERSONS.**



<b>TOOLS REQUIRED (NOT PROVIDED)</b>
PHILLIPS SCREWDRIVER

All Beds need to be set up in the exact final location so that after full assembly it will not need to be moved. Moving the bed will cause the support legs to move out of perpendicular (90 degree), weaken the support system, and may allow the bed to collapse.

HARDWARE LIST: I430-517			
No.	Description	Sketch	Quantity
A	Hanger Bolt Ø5/16" x 3"		8 PCS
B	Half Moon Washer Ø5/16"		8 PCS
C	Hex Nut Ø5/16"		8 PCS
D	Hex Wrench 13mm		1 PC
E	Wood Screw #4 x 1-1/4"		8 PCS
F	Wood Screw #4 x 3/4"		10 PCS

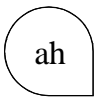
COMPONENTS LIST: I430-512			
No.	Description	Sketch	Quantity
1	Headboard (HB)		1 PC

COMPONENTS LIST: I430-517			
No.	Description	Sketch	Quantity
1	Bed rails		2 PCS
2	Slats		4 PCS
3	Decking		5 PCS

COMPONENTS LIST: I430-503			
No.	Description	Sketch	Quantity
1	Footboard (FB)		1 PC
2	Support Leg (Long)		4 PCS
3	Support Leg (Short)		4 PCS

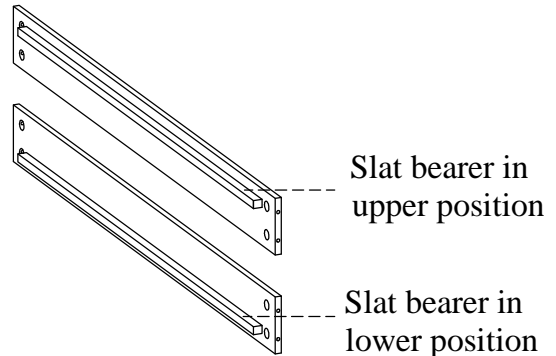
BEFORE USING THIS PRODUCT PLEASE READ, UNDERSTAND, AND FOLLOW THESE INSTRUCTIONS.  
 Save these instructions for future reference.

FOR INDOOR USE ONLY



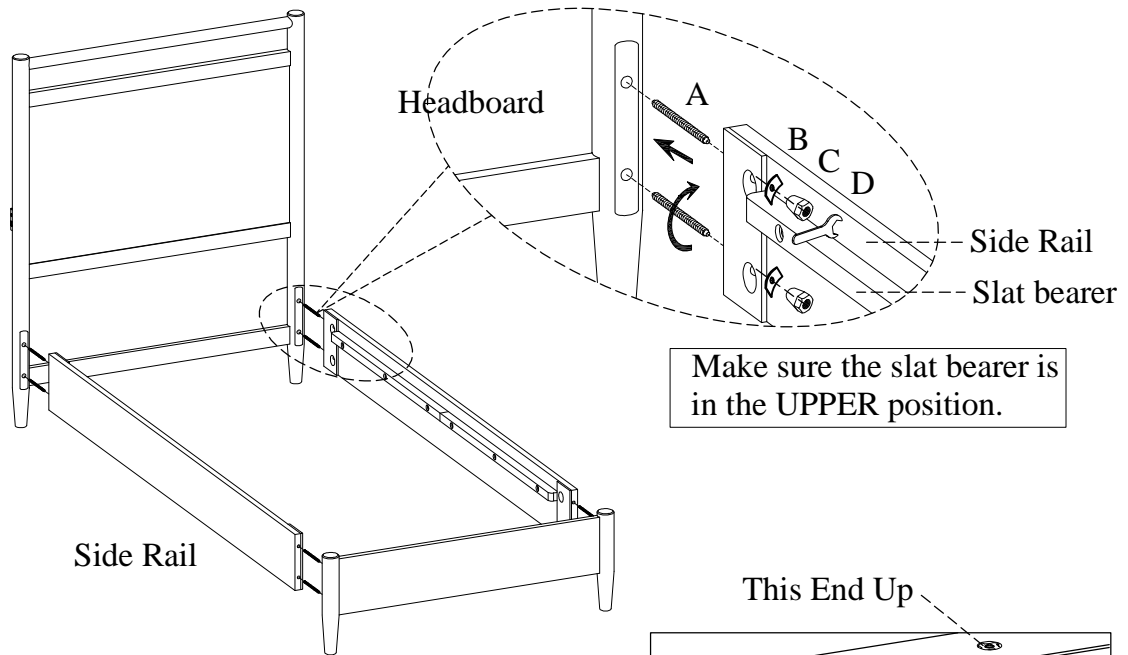
ITEM NO: I430-512    Twin Panel HB  
 I430-517    Twin Rails w/ Decking  
 I430-503    Twin Low Profile FB

**STEP 1:** The side rails may be used on either side. Arrange the side rails so the slat bearers are in UPPER POSITION prior to attachment as OPTION 1 and the slat bearers are in LOWER POSITION prior to attachment as OPTION 2.

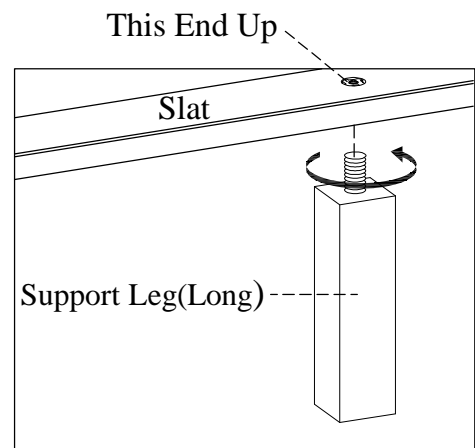


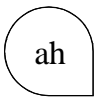
**OPTION 1:** The side rails may be used on either side. Arrange the side rails so the slat bearers are in UPPER POSITION prior to attachment in STEP 2.

**STEP 2:** Screw the bolts(A) into HB & FB. Make sure the slat bearer is in the UPPER position. Align the bolts with the holes in the end of side rails and attach the side rails to HB & FB using half moon Washer(B) and hex nuts(C). Then use a hex wrench to tighten all the nuts.



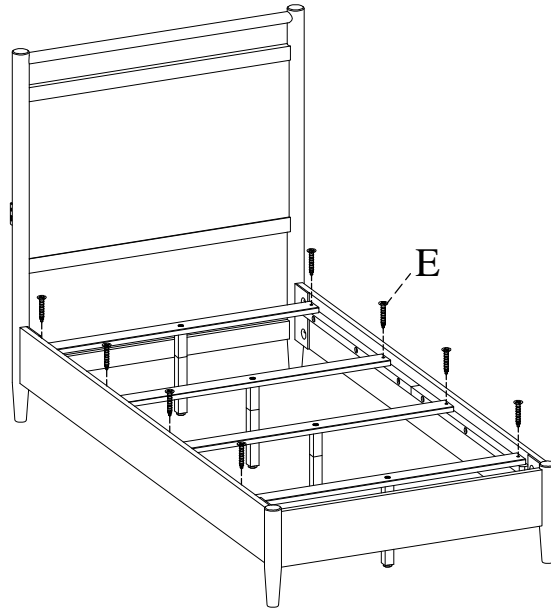
**STEP 3:** Attach the support legs(long) to the slats as shown right.



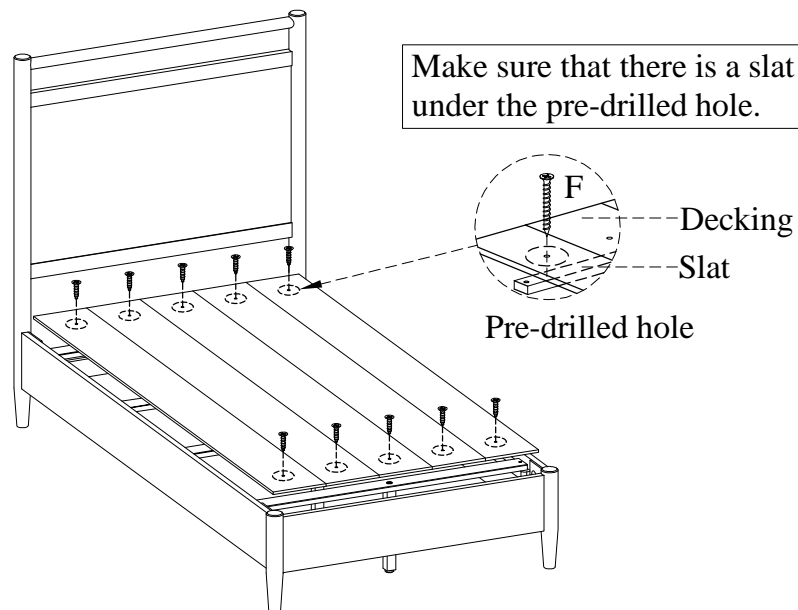


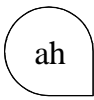
ITEM NO: I430-512    Twin Panel HB  
I430-517    Twin Rails w/ Decking  
I430-503    Twin Low Profile FB

**STEP 4:** Arrange slats on the slat bearers and then lay the decking on top of the slats. Make sure the top and bottom slats are situated underneath the pre-drilled holes as shown in STEP 5. Remove the decking and attach slats to the slat bearers with wood screws(E).



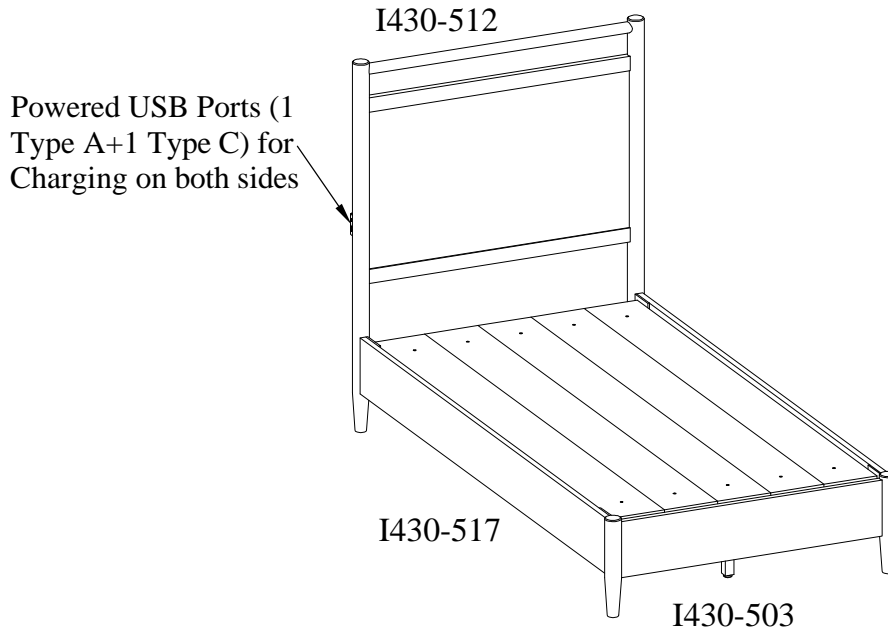
**STEP 5:** Put the decking over the slats, secure decking to the slats with wood screws(F) through the pre-drilled holes in the decking as shown below.





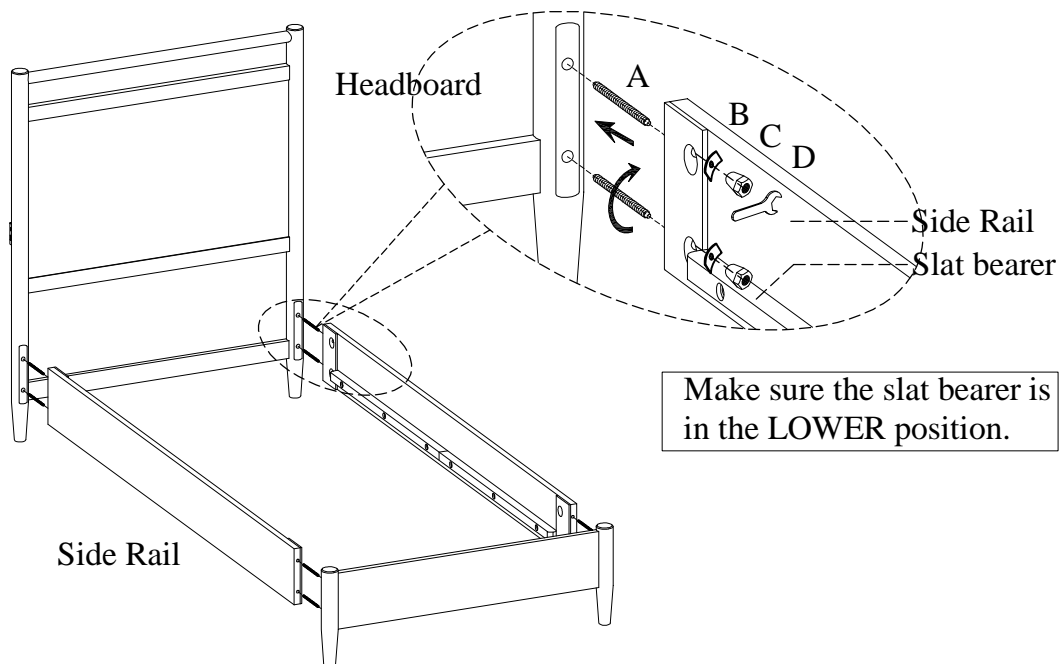
ITEM NO: I430-512    Twin Panel HB  
 I430-517    Twin Rails w/ Decking  
 I430-503    Twin Low Profile FB

### FUNCTIONALITY INSTRUCTION

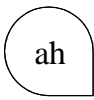


**OPTION 2:** The side rails may be used on either side. Arrange the side rails so the slat bearers are in LOWER POSITION prior to attachment in STEP 2.

**STEP 2:** Screw the bolts(A) into HB & FB. Make sure the slat bearer is in the LOWER position. Align the bolts with the holes in the end of side rails and attach the side rails to HB & FB using half moon Washer(B) and hex nuts(C). Then use a hex wrench to tighten all the nuts.



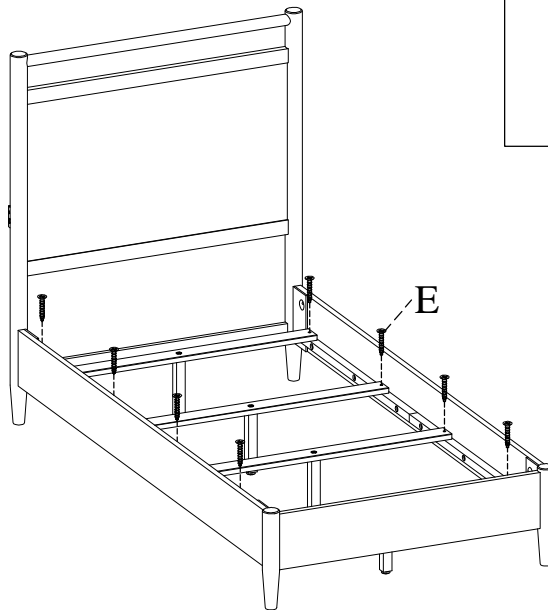
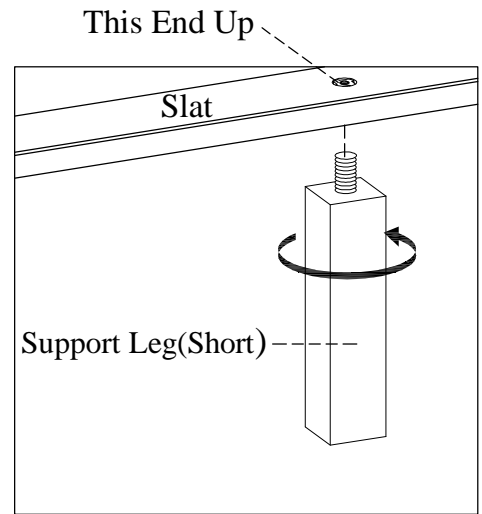




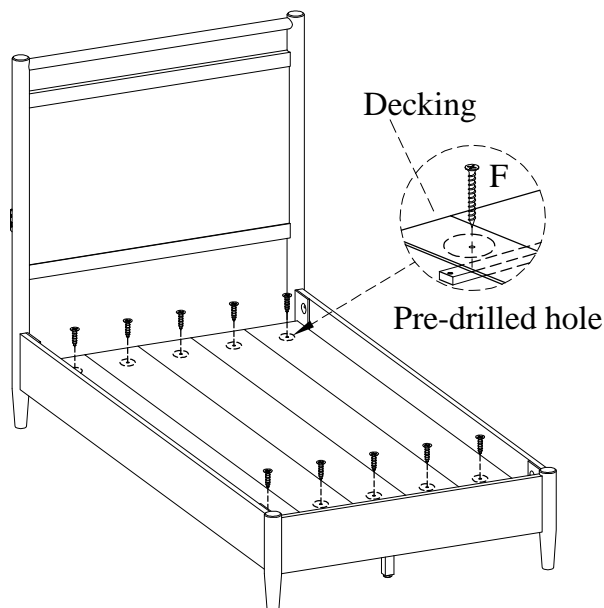
ITEM NO: I430-512    Twin Panel HB  
I430-517    Twin Rails w/ Decking  
I430-503    Twin Low Profile FB

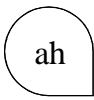
**STEP 3:** Attach the support legs(short) to the slats as shown right.

**STEP 4:** Arrange slats on the slat bearers and then lay the decking on top of the slats. Make sure the top and bottom slats are situated underneath the pre-drilled holes as shown in STEP 5. Remove the decking and attach slats to the slat bearers with wood screws(E).



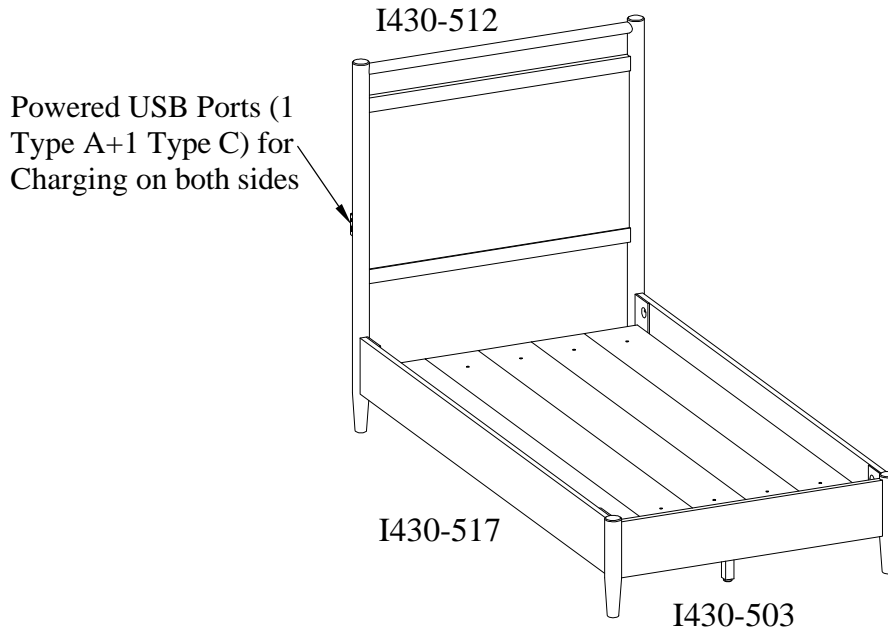
**STEP 5:** Put the decking over the slats, secure decking to the slats with wood screws(F) through the pre-drilled holes in the decking as shown below.





ITEM NO: I430-512    Twin Panel HB  
I430-517    Twin Rails w/ Decking  
I430-503    Twin Low Profile FB

### FUNCTIONALITY INSTRUCTION



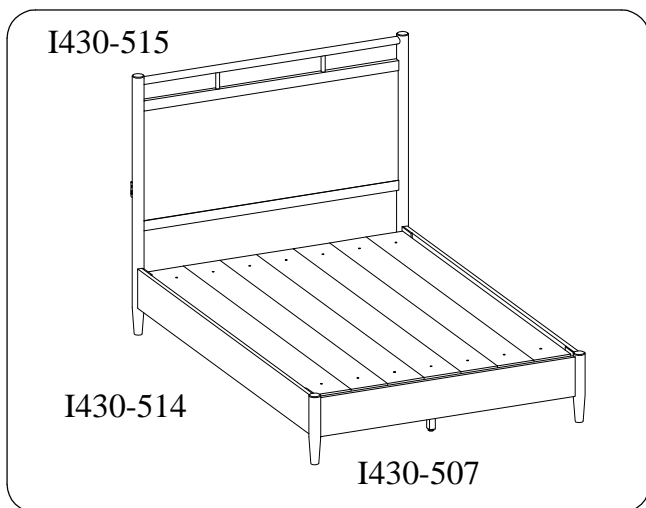


ITEM NO: I430-515 Full Panel HB  
 I430-514 Full Rails w/ Decking  
 I430-507 Full Low Profile FB

Thank you for purchasing this quality product. Be sure to check all packing material carefully for small parts that may come loose inside the carton during shipment.



**UNIT SHOULD BE INSTALLED BY 2 OR MORE PERSONS.**



TOOLS REQUIRED (NOT PROVIDED)
PHILLIPS SCREWDRIVER

All Beds need to be set up in the exact final location so that after full assembly it will not need to be moved. Moving the bed will cause the support legs to move out of perpendicular (90 degree), weaken the support system, and may allow the bed to collapse.

HARDWARE LIST: I430-514			
No.	Description	Sketch	Quantity
A	Hanger Bolt Ø5/16" x 3"		8 PCS
B	Half Moon Washer Ø5/16"		8 PCS
C	Hex Nut Ø5/16"		8 PCS
D	Hex Wrench 13mm		1 PC
E	Wood Screw #4 x 1-1/4"		8 PCS
F	Wood Screw #4 x 3/4"		14 PCS

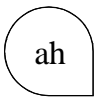
COMPONENTS LIST: I430-515			
No.	Description	Sketch	Quantity
1	Headboard (HB)		1 PC

COMPONENTS LIST: I430-514			
No.	Description	Sketch	Quantity
1	Bed rails		2 PCS
2	Slats		4 PCS
3	Decking		7 PCS

COMPONENTS LIST: I430-507			
No.	Description	Sketch	Quantity
1	Footboard (FB)		1 PC
2	Support Leg (Long)		4 PCS
3	Support Leg (Short)		4 PCS

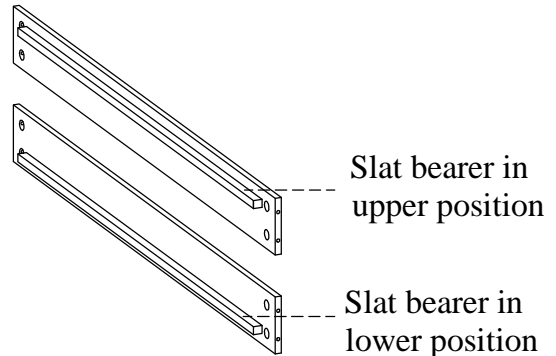
BEFORE USING THIS PRODUCT PLEASE READ, UNDERSTAND, AND FOLLOW THESE INSTRUCTIONS.  
 Save these instructions for future reference.

FOR INDOOR USE ONLY



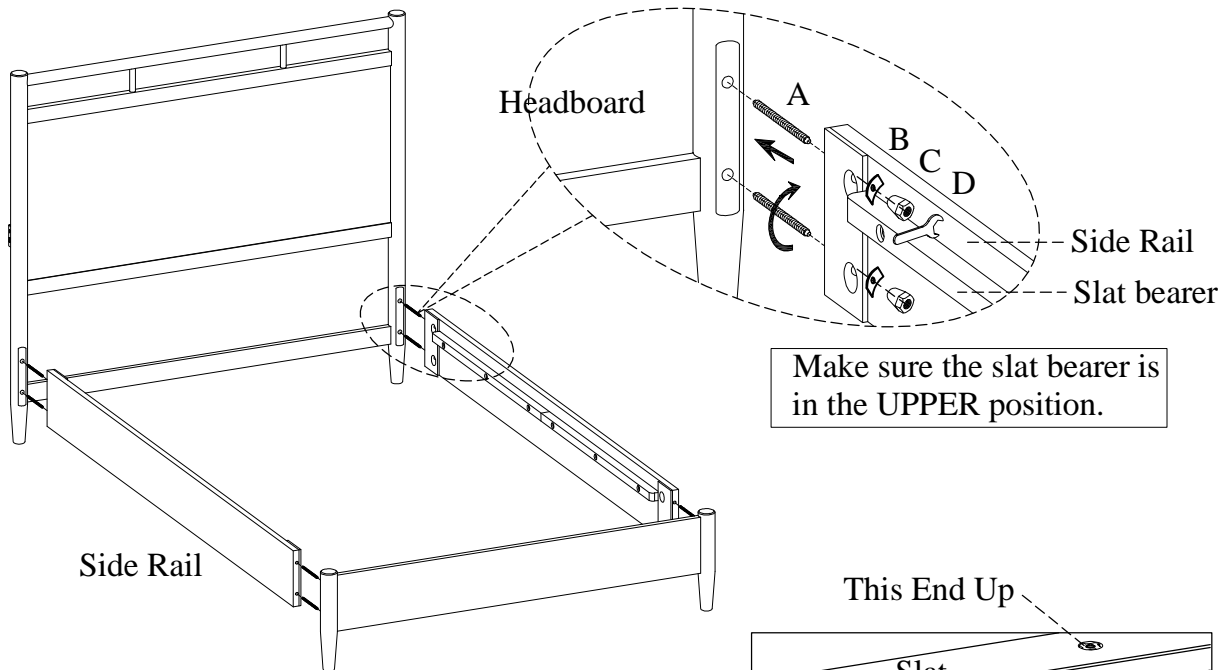
ITEM NO: I430-515 Full Panel HB  
 I430-514 Full Rails w/ Decking  
 I430-507 Full Low Profile FB

**STEP 1:** The side rails may be used on either side. Arrange the side rails so the slat bearers are in UPPER POSITION prior to attachment as OPTION 1 and the slat bearers are in LOWER POSITION prior to attachment as OPTION 2.

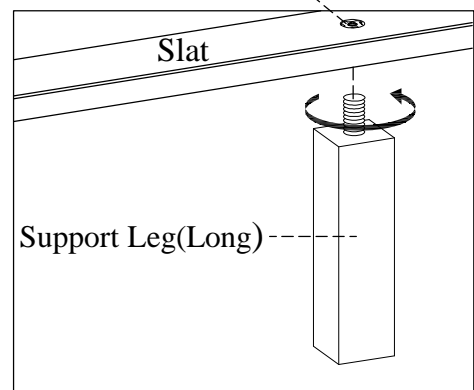


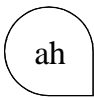
**OPTION 1:** The side rails may be used on either side. Arrange the side rails so the slat bearers are in UPPER POSITION prior to attachment in STEP 2.

**STEP 2:** Screw the bolts(A) into HB & FB. Make sure the slat bearer is in the UPPER position. Align the bolts with the holes in the end of side rails and attach the side rails to HB & FB using half moon Washer(B) and hex nuts(C). Then use a hex wrench to tighten all the nuts.



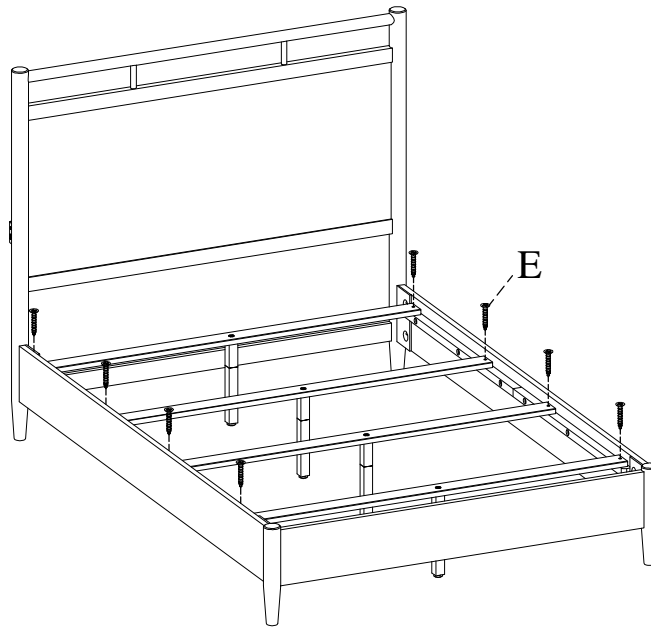
**STEP 3:** Attach the support legs(long) to the slats as shown right.



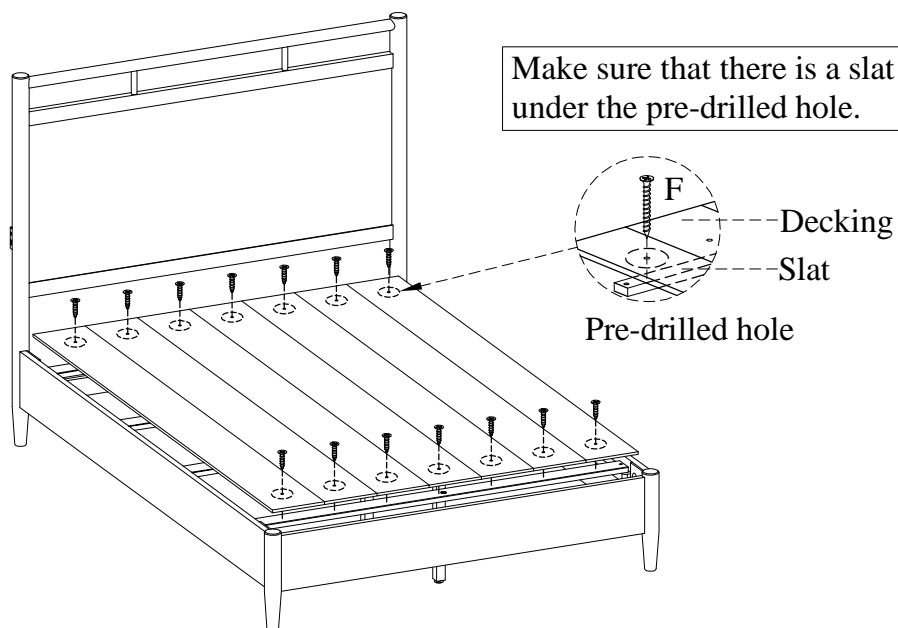


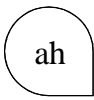
ITEM NO: I430-515 Full Panel HB  
I430-514 Full Rails w/ Decking  
I430-507 Full Low Profile FB

**STEP 4:** Arrange slats on the slat bearers and then lay the decking on top of the slats. Make sure the top and bottom slats are situated underneath the pre-drilled holes as shown in STEP 5. Remove the decking and attach slats to the slat bearers with wood screws(E).



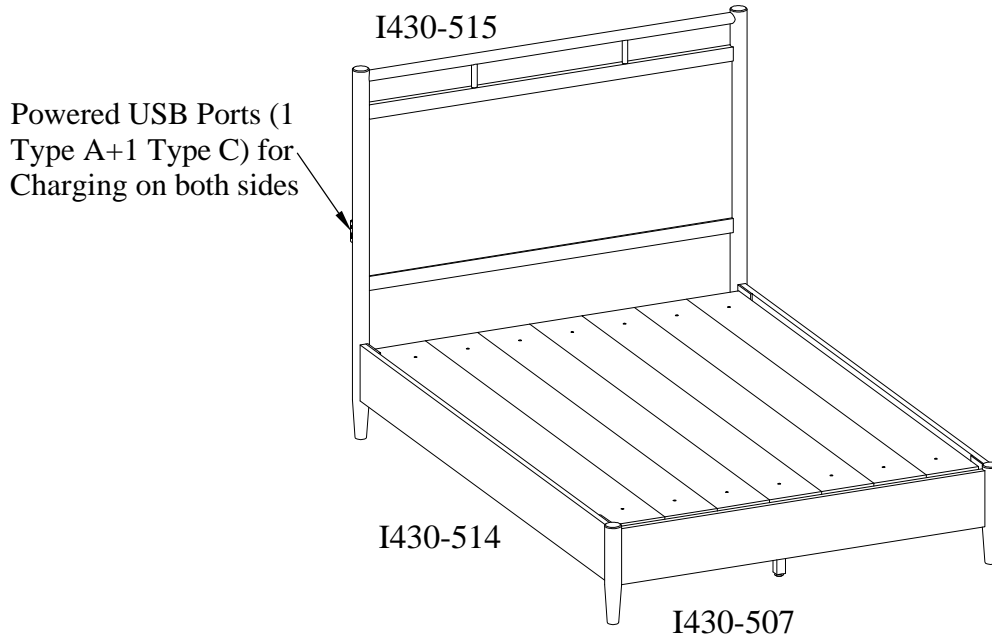
**STEP 5:** Put the decking over the slats, secure decking to the slats with wood screws(F) through the pre-drilled holes in the decking as shown below.





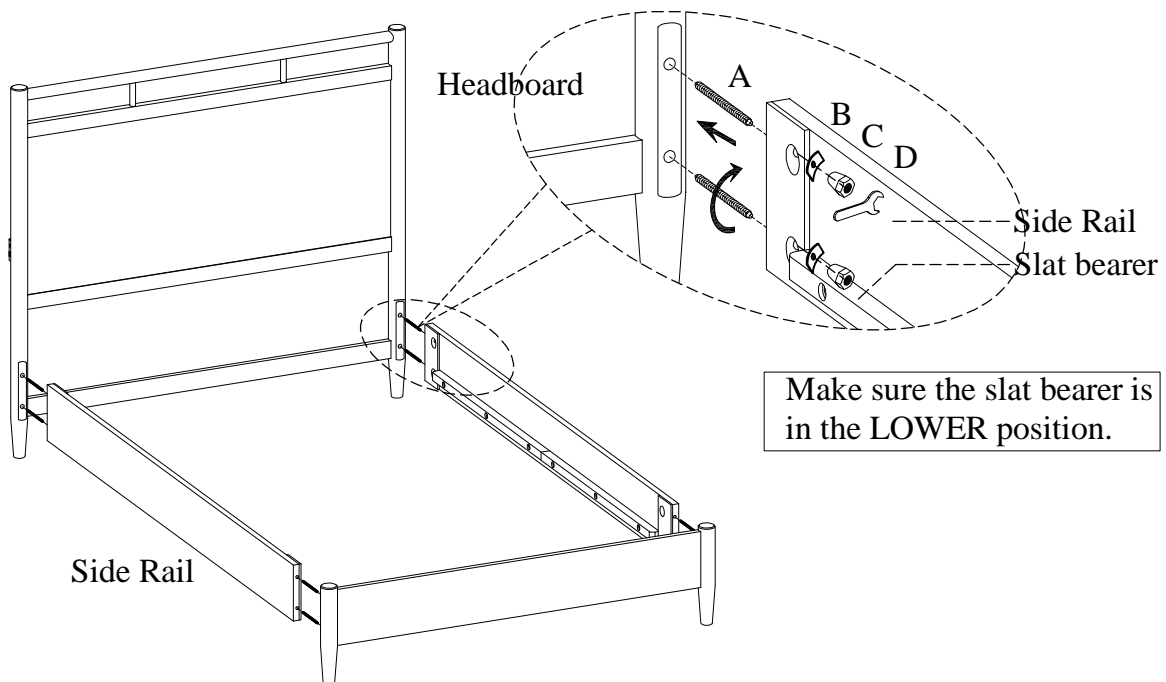
ITEM NO: I430-515 Full Panel HB  
 I430-514 Full Rails w/ Decking  
 I430-507 Full Low Profile FB

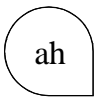
### FUNCTIONALITY INSTRUCTION



**OPTION 2:** The side rails may be used on either side. Arrange the side rails so the slat bearers are in LOWER POSITION prior to attachment in STEP 2.

**STEP 2:** Screw the bolts(A) into HB & FB. Make sure the slat bearer is in the LOWER position. Align the bolts with the holes in the end of side rails and attach the side rails to HB & FB using half moon Washer(B) and hex nuts(C). Then use a hex wrench to tighten all the nuts.

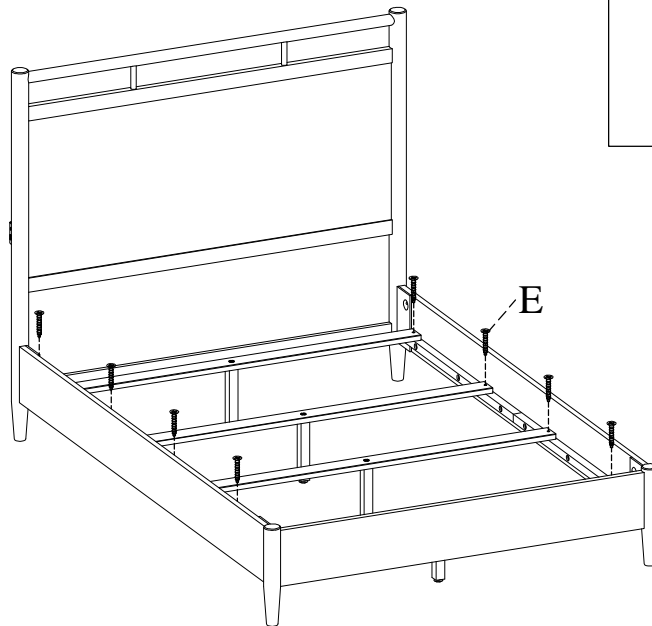
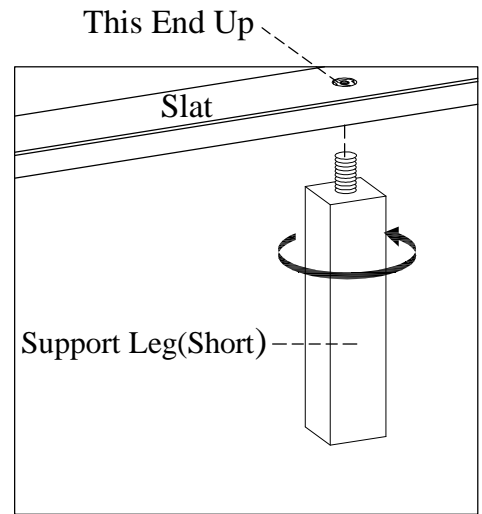




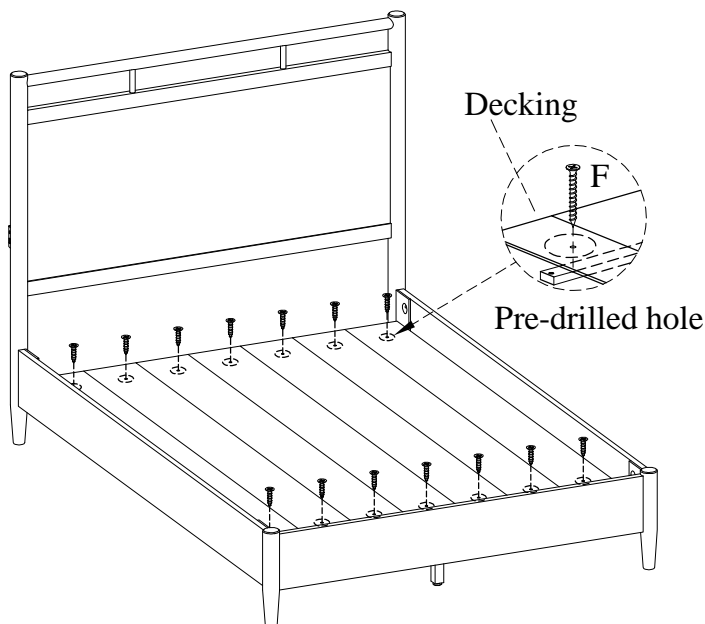
ITEM NO: I430-515 Full Panel HB  
I430-514 Full Rails w/ Decking  
I430-507 Full Low Profile FB

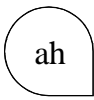
**STEP 3:** Attach the support legs(short) to the slats as shown right.

**STEP 4:** Arrange slats on the slat bearers and then lay the decking on top of the slats. Make sure the top and bottom slats are situated underneath the pre-drilled holes as shown in STEP 5. Remove the decking and attach slats to the slat bearers with wood screws(E).



**STEP 5:** Put the decking over the slats, secure decking to the slats with wood screws(F) through the pre-drilled holes in the decking as shown below.





ITEM NO: I430-515 Full Panel HB  
I430-514 Full Rails w/ Decking  
I430-507 Full Low Profile FB

### FUNCTIONALITY INSTRUCTION

