

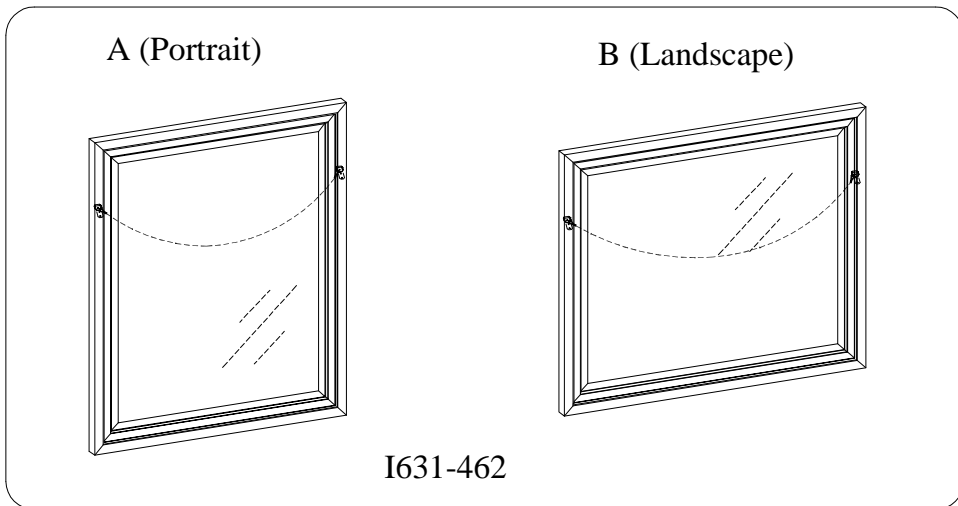


ITEM NO: I631-462

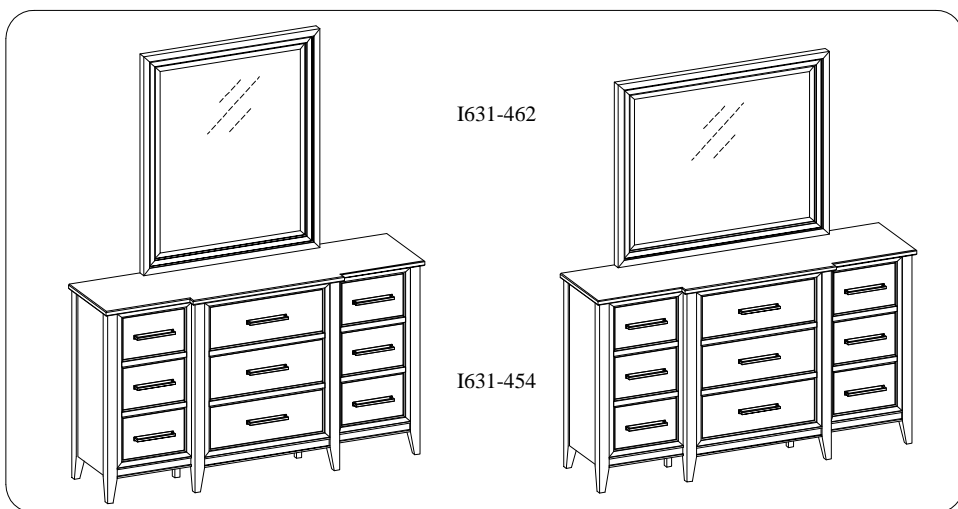
Landscape Mirror

Thank you for purchasing this quality product. Be sure to check all packing material carefully for small parts that may come loose inside the carton during shipment.

### Option 1: Wall Mount



### Option 2: Dresser Mount



#### HARDWARE LIST:

No.	Description	Sketch	Quantity
A	Bolt Ø1/4" x 1-1/2"		8 PCS
B	Lock Washer Ø1/4"		8 PCS
C	Flat Washer Ø1/4" x 3/4"		8 PCS
D	Allen Wrench 4mm		1 PC

#### TOOLS REQUIRED (NOT PROVIDED)

PHILLIPS SCREWDRIVER

#### COMPONENTS LIST:

No.	Description	Sketch	Quantity
1	Mirror		1 PC
2	Wood Strip		2 PCS

BEFORE USING THIS PRODUCT PLEASE READ, UNDERSTAND, AND FOLLOW THESE INSTRUCTIONS. Save these instructions for future reference.

FOR INDOOR USE ONLY



ITEM NO: I631-462

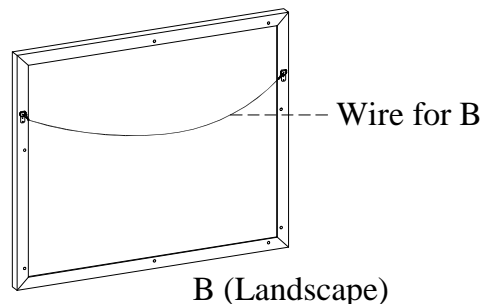
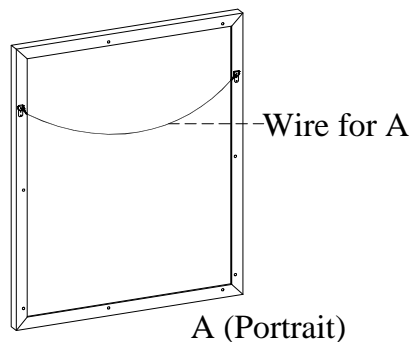
Landscape Mirror

### **FOR OPTION 1 (Wall Mount)**

**STEP 1:** The mirror is pre-assembled with the wire in position to hang the mirror in landscape orientation as shown in Diagram B. If you refer to hang the mirror in portrait orientation, remove the wire using a screwdriver (not included) and attach the wire as shown in Diagram A.

**STEP 2:** After attaching nail/hanger to wall, place wire over nail/hanger and slowly lower the mirror into place. Make sure the wire catches on the nail/hanger.

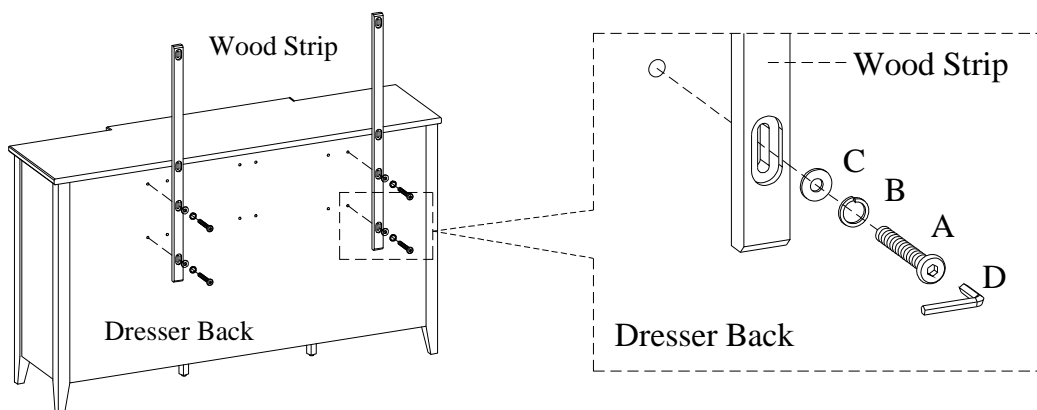
**Note:** Ensure the nail/hanger is in a wall stud or wall solid enough to support mirror.



### **FOR OPTION 2 (Dresser Mount)**

**STEP 1:** Attach the wood strips to the dresser by using 4 bolts(A), lock washers(B), and flat washers(C) with an allen wrench(D). Do not tighten bolts completely.

**Note:** Use inside threaded for position A (Portrait) and outside threaded for position B (Landscape).



**STEP 2:** Attach the wood strips to the mirror by using 4 bolts(A), lock washers(B), and flat washers(C). Tighten all bolts on dresser and mirror with an allen wrench(D).

