



ITEM NO: I631-9100 Cocktail Table

Thank you for purchasing this quality product. Be sure to check all packing material carefully for small parts that may come loose inside the carton during shipment.

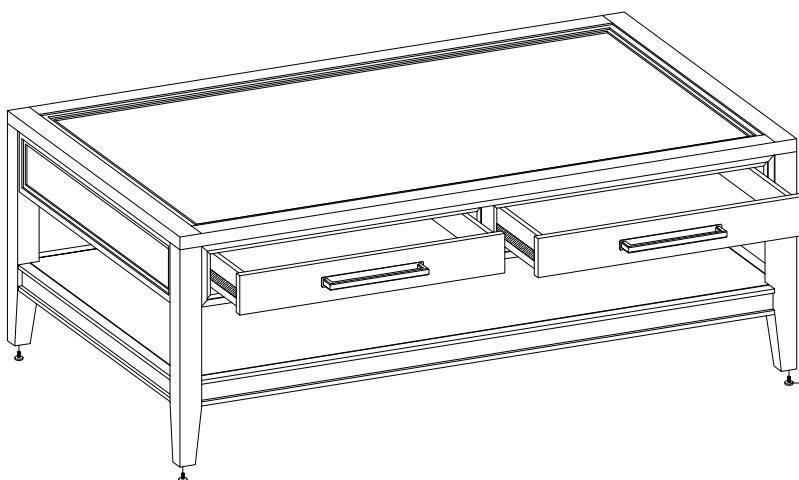


TOOLS REQUIRED (NOT PROVIDED)
PHILLIPS SCREWDRIVER

HARDWARE LIST:			
No.	Description	Sketch	Quantity
A	Hex Bolt Ø1/4" x 2"		8 PCS
B	Lock Washer Ø1/4"		8 PCS
C	Flat Washer Ø1/4" x 3/4"		8 PCS
D	Allen Wrench 4mm		1 PC

COMPONENTS LIST:			
No.	Description	Sketch	Quantity
1	Table Top		1 PC
2	Shelf Frame		1 PC
3	Leg		4 PCS

FUNCTIONALITY INSTRUCTION



Leveler on Legs

Adjust the leveler when necessary

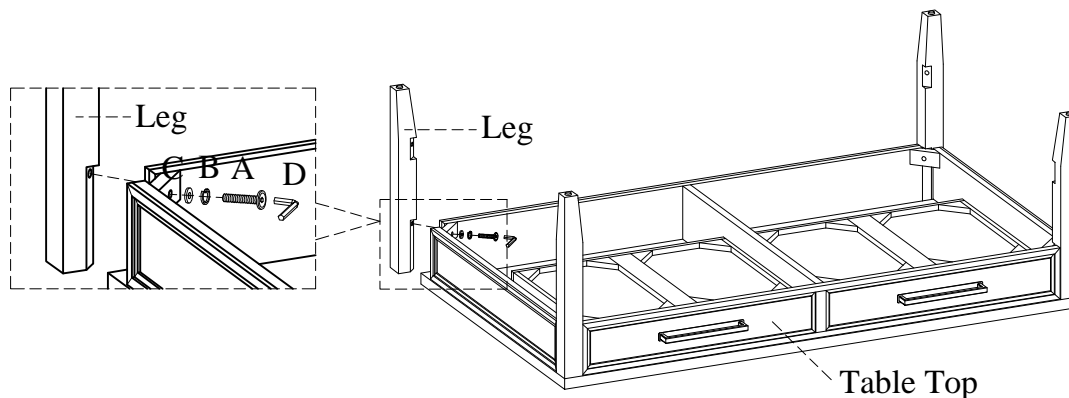
BEFORE USING THIS PRODUCT PLEASE READ, UNDERSTAND, AND FOLLOW THESE INSTRUCTIONS.
Save these instructions for future reference.

FOR INDOOR USE ONLY



ITEM NO: I631-9100 Cocktail Table

STEP 1: Lay the table top face down on a soft surface. Attach the legs to table top by using 4 bolts(A), lock washers(B), flat washers(C) with an allen wrench(D). Do not completely tighten bolts.



STEP 2: Attach the shelf frame to legs by using 4 bolts(A), lock washers(B), flat washers(C) with an allen wrench(D). Completely tighten all bolts. Turn the assembled table to the upright position.

