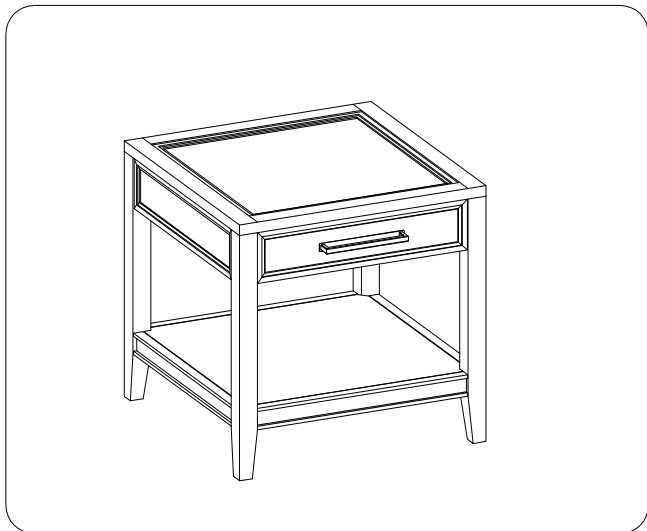




ITEM NO: I631-9140 End Table

Thank you for purchasing this quality product. Be sure to check all packing material carefully for small parts that may come loose inside the carton during shipment.

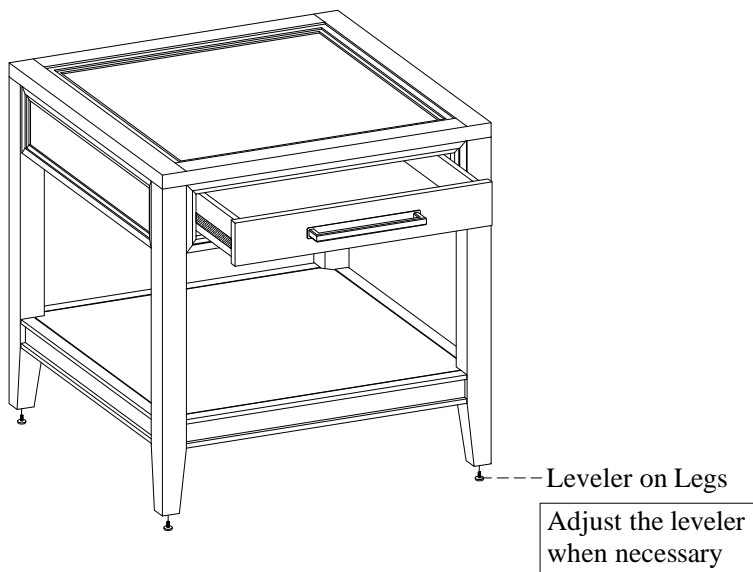


| |
|-------------------------------|
| TOOLS REQUIRED (NOT PROVIDED) |
| PHILLIPS SCREWDRIVER |

| HARDWARE LIST: | | | |
|----------------|--------------------------|--------|----------|
| No. | Description | Sketch | Quantity |
| A | Hex Bolt Ø1/4" x 2" | | 8 PCS |
| B | Lock Washer Ø1/4" | | 8 PCS |
| C | Flat Washer Ø1/4" x 3/4" | | 8 PCS |
| D | Allen Wrench 4mm | | 1 PC |

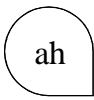
| COMPONENTS LIST: | | | |
|------------------|-------------|--------|----------|
| No. | Description | Sketch | Quantity |
| 1 | Table Top | | 1 PC |
| 2 | Shelf Frame | | 1 PC |
| 3 | Leg | | 4 PCS |

FUNCTIONALITY INSTRUCTION



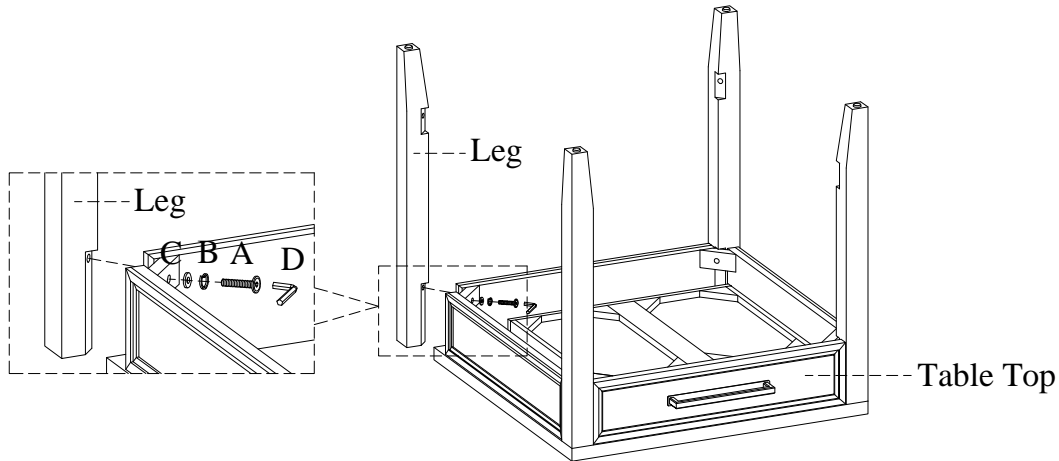
BEFORE USING THIS PRODUCT PLEASE READ, UNDERSTAND, AND FOLLOW THESE INSTRUCTIONS. Save these instructions for future reference.

FOR INDOOR USE ONLY



ITEM NO: I631-9140 End Table

STEP 1: Lay the table top face down on a soft surface. Attach the legs to table top by using 4 bolts(A), lock washers(B), flat washers(C) with an allen wrench(D). Do not completely tighten bolts.



STEP 2: Attach the shelf frame to legs by using 4 bolts(A), lock washers(B), flat washers(C) with an allen wrench(D). Completely tighten all bolts. Turn the assembled table to the upright position.

