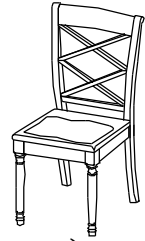


# ASSEMBLY INSTRUCTIONS

ah

## aspenhome

Distributed by Furniture Values International, LLC



ITEM NO: ICB-6670S-BCH/BLK Dining Dbl X Side Chair(2/Carton)

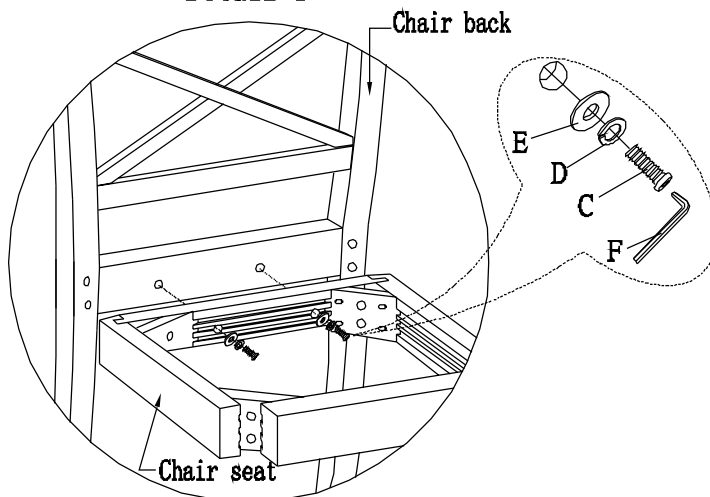
### HARDWARE PACK

A		3" Bolt (Ø1/4")	4 Pcs	D		Lock Washer (Ø1/4")	10 Pcs
B		2 1/2" Bolt (Ø1/4")	4 Pcs	E		Flat Washer (Ø1/4")	10 Pcs
C		1 1/2" Bolt (Ø1/4")	2 Pcs	F		Allen Wrench	1 Pc

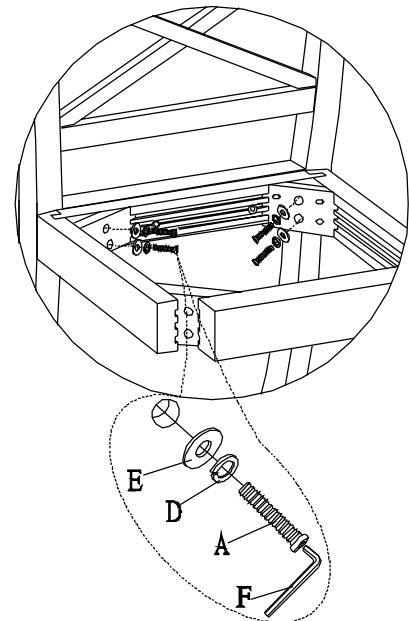
### COMPONENTS LIST

Chair Back	1 Pc	Chair Seat	1 Pc
Front Leg	2 Pcs		

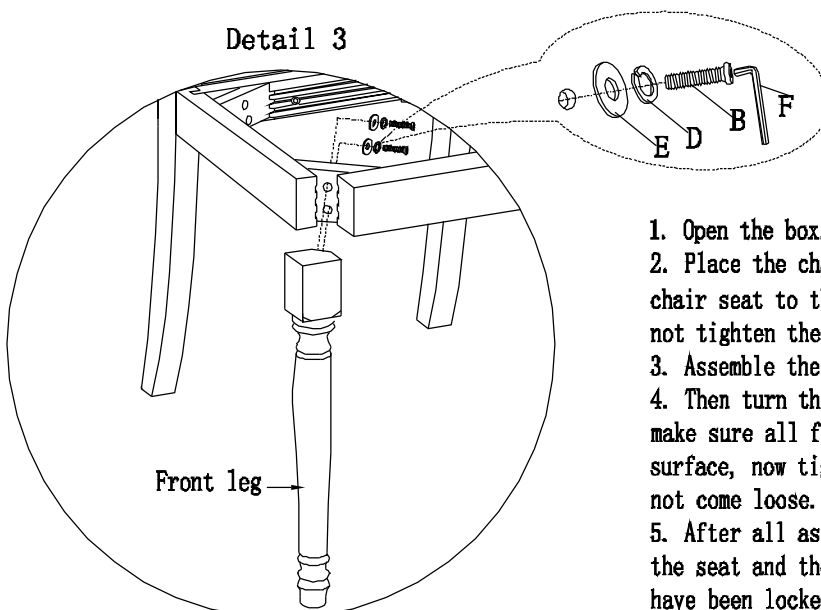
Detail 1



Detail 2



Detail 3



1. Open the box. Take out each part and the hardware pack.
2. Place the chair back on a padded area, and assemble the chair seat to the chair back (as shown in detail 1 & 2). Do not tighten the bolts completely.
3. Assemble the front leg to the chair seat as detail 3.
4. Then turn the chair onto its feet on a level surface, make sure all four legs are flat and level against the flat surface, now tighten the bolts completely so that it will not come loose.
5. After all assembly steps, if the gap is too wide between the seat and the chair back, take off the wood screws which have been locked under the seat. And adjust the seat in an ideal position, then re-attach its.