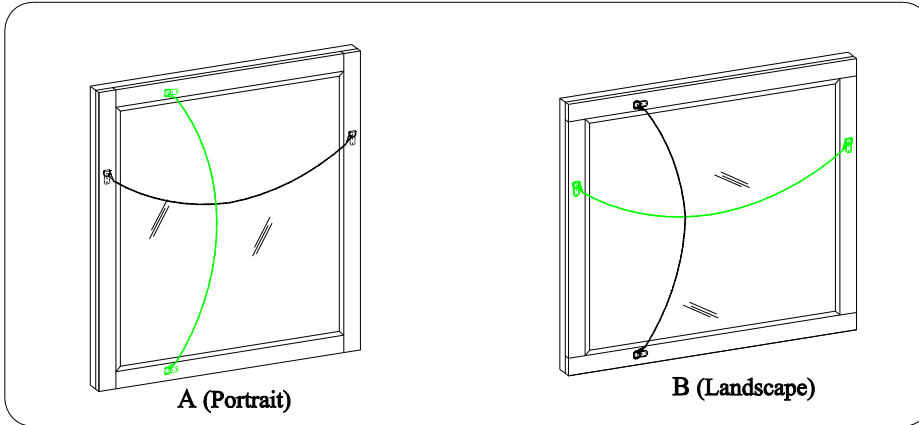




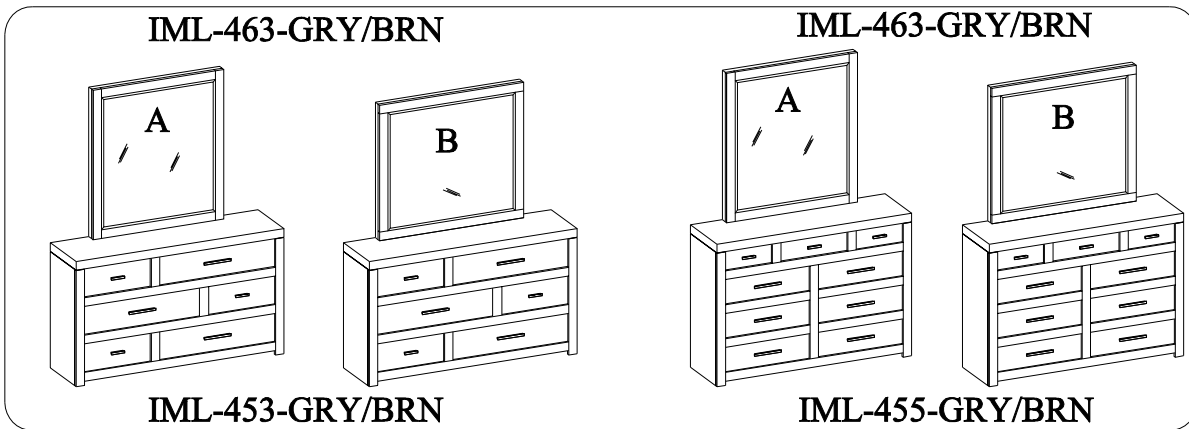
ITEM NO: IML-463-GRY/BRN Mirror

Thank you for purchasing this quality product. Be sure to check all packing material carefully for small parts that may come loose inside the carton during shipment.

Option 1: Wall Mount



Option 2: Chesser/Dresser Mount



HARDWARE LIST:			
No.	Description	Sketch	Quantity
A	Bolts Ø1/4"*1-1/4"		8 PCS
B	Lock Washer Ø1/4"		8 PCS
C	Flat Washer Ø1/4" *3/4"		8 PCS
D	Allen Wrench 4mm		1 PC

COMPONENTS LIST:			
No.	Description	Sketch	Quantity
1	Mirror		1 PC
2	Wood Strip		2 PCS

BEFORE USING THIS PRODUCT PLEASE READ, UNDERSTAND, AND FOLLOW THESE INSTRUCTIONS. Save these instructions for future reference.

FOR INDOOR USE ONLY

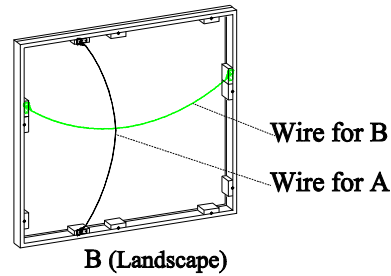
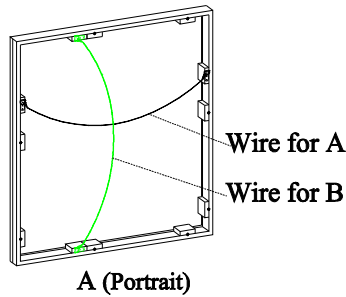


ITEM NO: IML-463-GRY/BRN Mirror

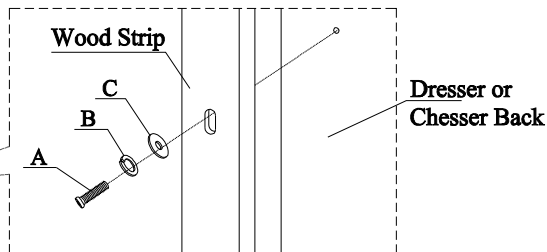
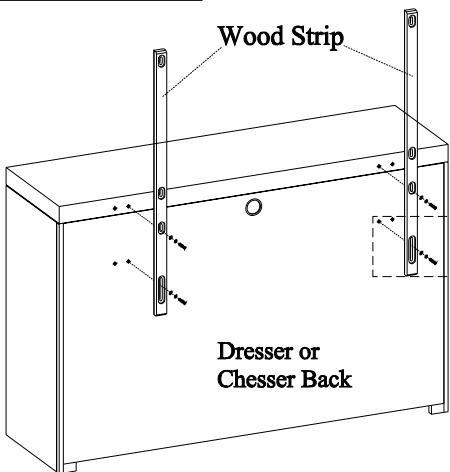
FOR OPTION 1 (Wall Mount)

STEP: After attaching nail/hanger to wall, place wire over nail/hanger and slowly lower the mirror into place. Make sure the wire catches on the nail/hanger.

Note: Ensure the nail/hanger is in a wall stud or wall solid enough to support mirror.

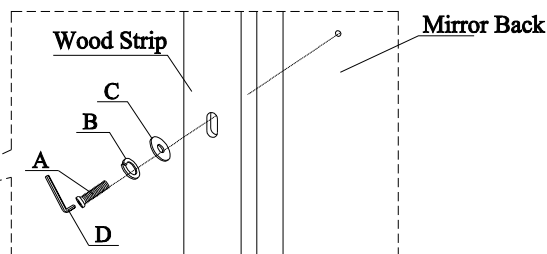
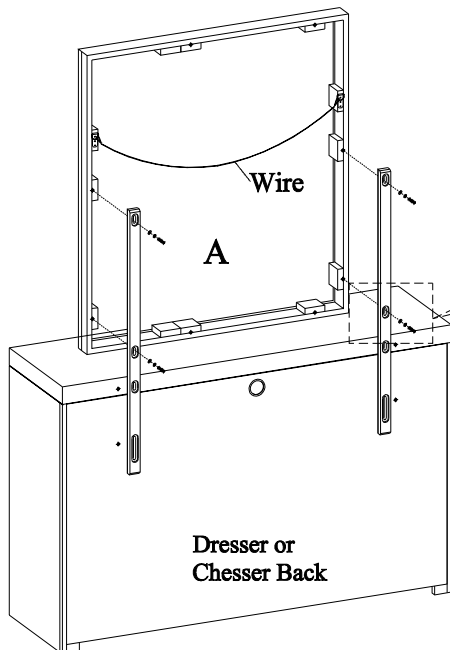


FOR OPTION 2



STEP 1: Attach the wood strips to the chesser by using 4 bolts(A), lock washers(B), and flat washers(C). Do not tighten bolts completely.

Note: Use inside threaded inserts for position A (portrait) and outside threaded inserts for position B (landscape).



STEP 2: Attach the wood strips to the mirror by using 4 bolts(A), lock washers(B), and flat washers(C). Tighten all bolts on chesser/dresser and mirror with Allen wrench.